



US00D742821S

(12) **United States Design Patent**
James

(10) **Patent No.:** **US D742,821 S**
(45) **Date of Patent:** **** Nov. 10, 2015**

(54) **BATTERY STARTER**

(71) Applicant: **Harbor Freight Tools USA, Inc.**,
Calabasas, CA (US)

(72) Inventor: **Chad James**, Greenville, SC (US)

(73) Assignee: **HARBOR FREIGHT TOOLS USA, INC.**, Calabasas, CA (US)

(**) Term: **14 Years**

(21) Appl. No.: **29/514,611**

(22) Filed: **Jan. 14, 2015**

Related U.S. Application Data

(62) Division of application No. 29/451,284, filed on Mar. 29, 2013, now Pat. No. Des. 722,954.

(51) **LOC (10) Cl.** **13-02**

(52) **U.S. Cl.**
USPC **D13/107**

(58) **Field of Classification Search**
USPC D13/107-110, 118-119, 184, 199;
D15/9; 320/103-115

CPC Y02E 60/12; Y02T 90/14; Y02T 90/122;
Y02T 90/128; Y02T 90/163; Y02T 10/7005;
Y02T 10/705; Y02T 10/7088; H02J 7/025;
H02J 7/0034; H02J 7/0042; H02J 7/0044;
H02J 7/0045; H02J 7/0054; H02J 7/1423;
H02J 7/0003; H02J 2001/006; H01F 38/14;
H01R 13/6675; H01M 2/1022; H01M 2/1055;
H01M 10/44; H01M 10/46; H01M 10/425;
B60L 11/182

See application file for complete search history.

(56) **References Cited**

U.S. PATENT DOCUMENTS

D423,451 S * 4/2000 Heckenast et al. D13/110
D432,985 S * 10/2000 Wan D13/107

D444,125 S * 6/2001 Shy D13/110
D452,474 S * 12/2001 Casarella D13/107
6,356,050 B1 * 3/2002 Hussaini 320/105
D479,194 S * 9/2003 Casarella D13/107
D503,378 S * 3/2005 Hussaini et al. D13/107
D504,396 S * 4/2005 Hussaini et al. D13/107
D512,685 S * 12/2005 Krieger et al. D13/107
D514,509 S * 2/2006 Krieger et al. D13/107
D519,448 S * 4/2006 Leung D13/107
D530,664 S * 10/2006 Wingerter et al. D13/107
D530,666 S * 10/2006 Krieger et al. D13/107
D594,406 S * 6/2009 Ellsworth D13/107
D595,222 S * 6/2009 Ellsworth D13/107
D601,495 S * 10/2009 Shum et al. D13/107
D601,496 S * 10/2009 Shum et al. D13/107
D609,633 S * 2/2010 Daniels et al. D13/107
D609,635 S * 2/2010 Daniels et al. D13/107
D635,510 S * 4/2011 Inskeep D13/107
D636,332 S * 4/2011 Hsu D13/109
D653,204 S * 1/2012 Whiting et al. D13/107
D654,865 S * 2/2012 DuMelle et al. D13/107
D684,116 S * 6/2013 Inskeep D13/107

* cited by examiner

Primary Examiner — Rosemary K Tarca

(74) *Attorney, Agent, or Firm* — Tarter Krinsky & Drogin LLP

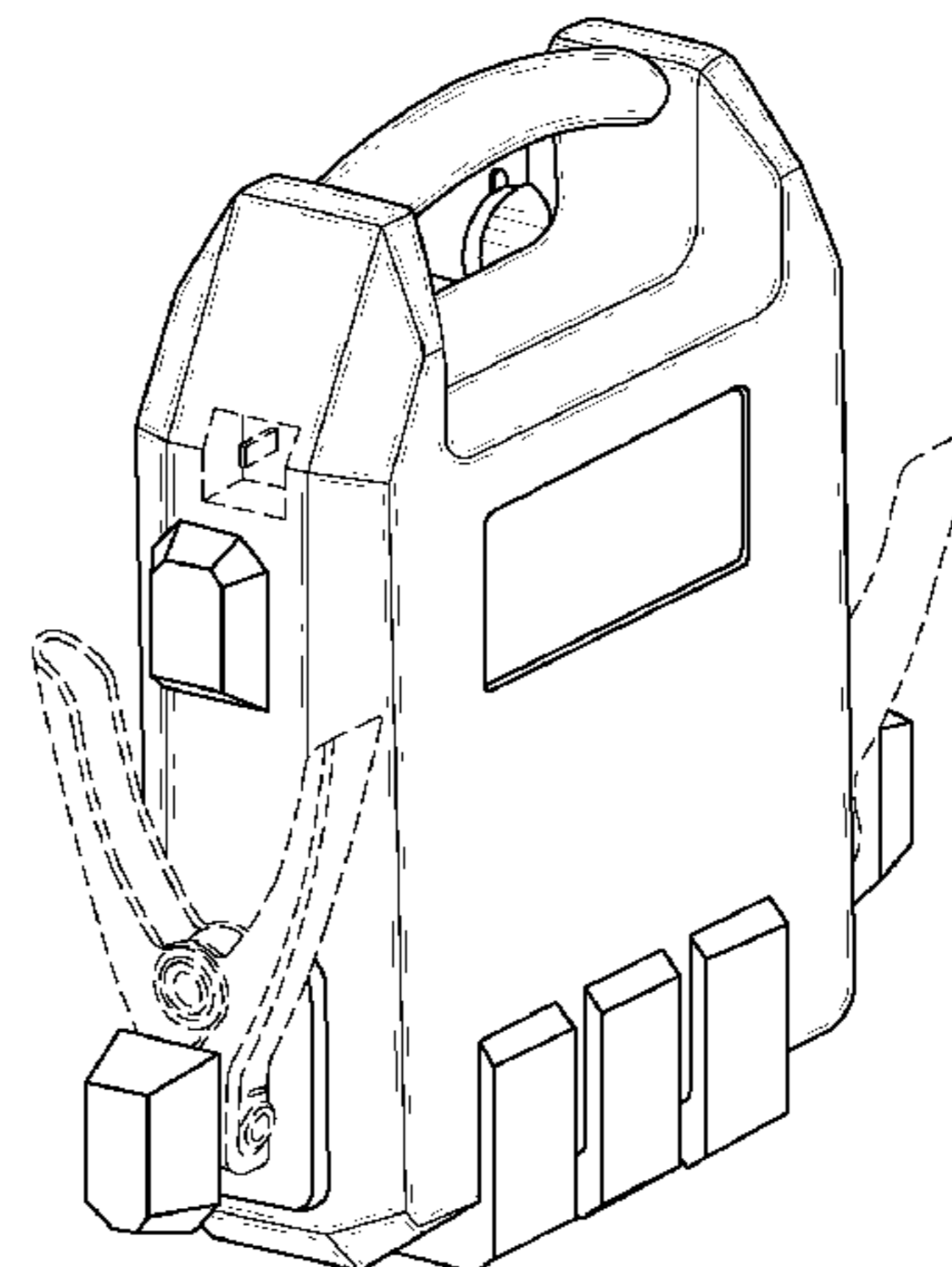
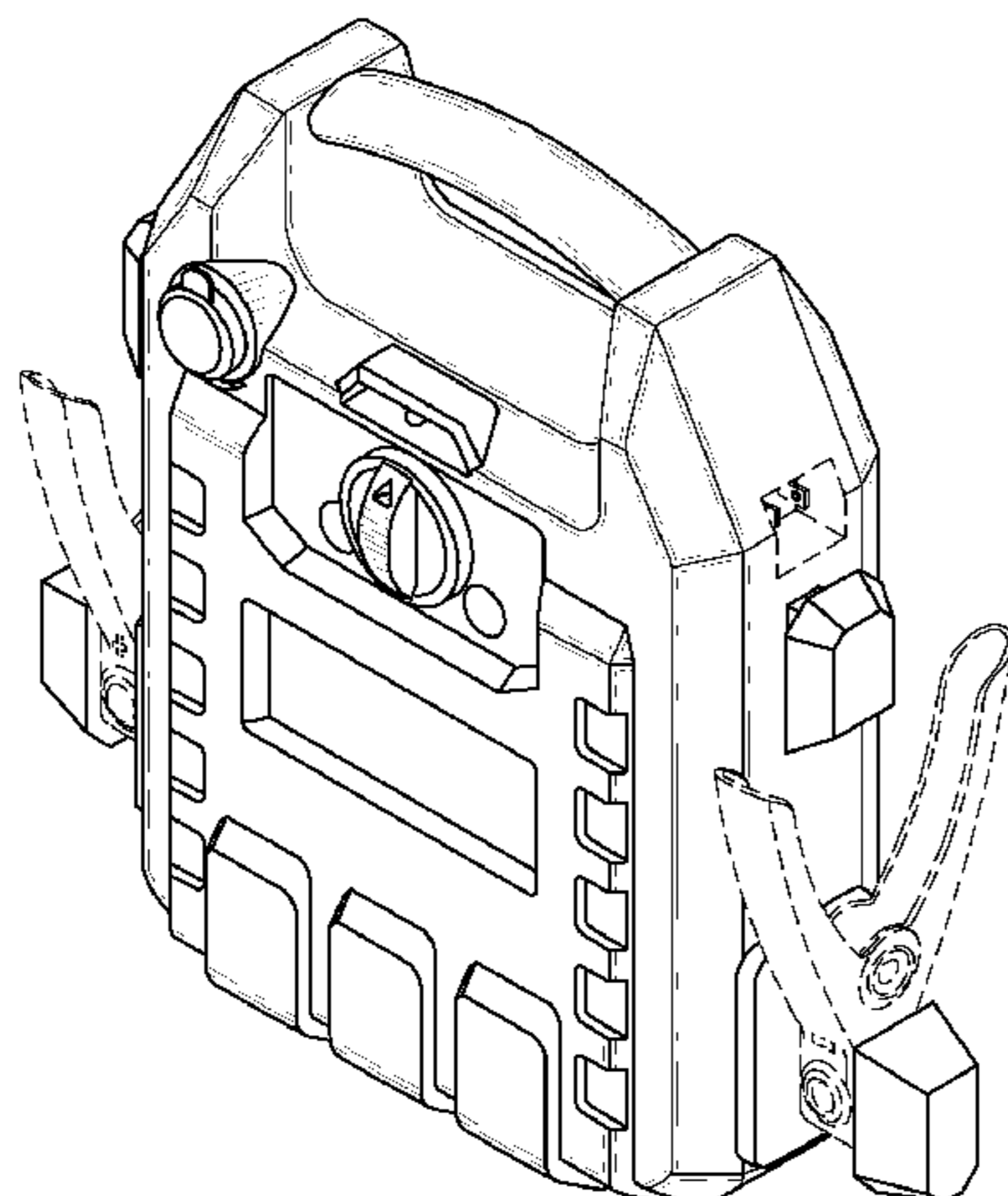
(57) **CLAIM**

The ornamental design for a battery starter, as shown and described.

DESCRIPTION

FIG. 1 is a front view of an embodiment of a battery starter; FIG. 2 is a rear view thereof; FIG. 3 is a right view thereof; FIG. 4 is a left view thereof; FIG. 5 is a top view thereof; FIG. 6 is a bottom view thereof; FIG. 7 is a front perspective view thereof; and, FIG. 8 is a rear perspective view thereof. The phantom lines shown in the drawings are for illustrative purposes only and form no part of the claimed design.

1 Claim, 4 Drawing Sheets



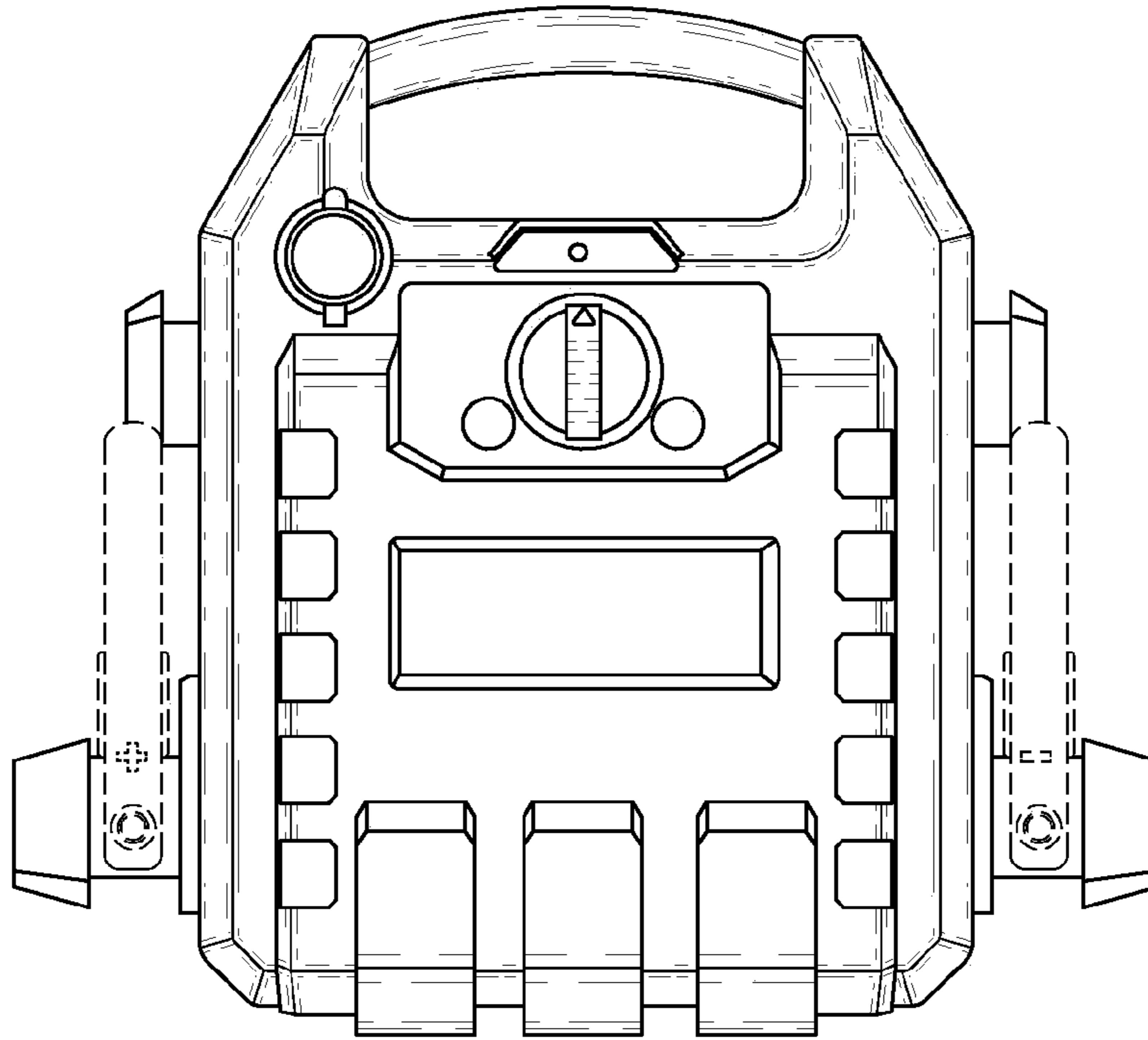


FIG. 1

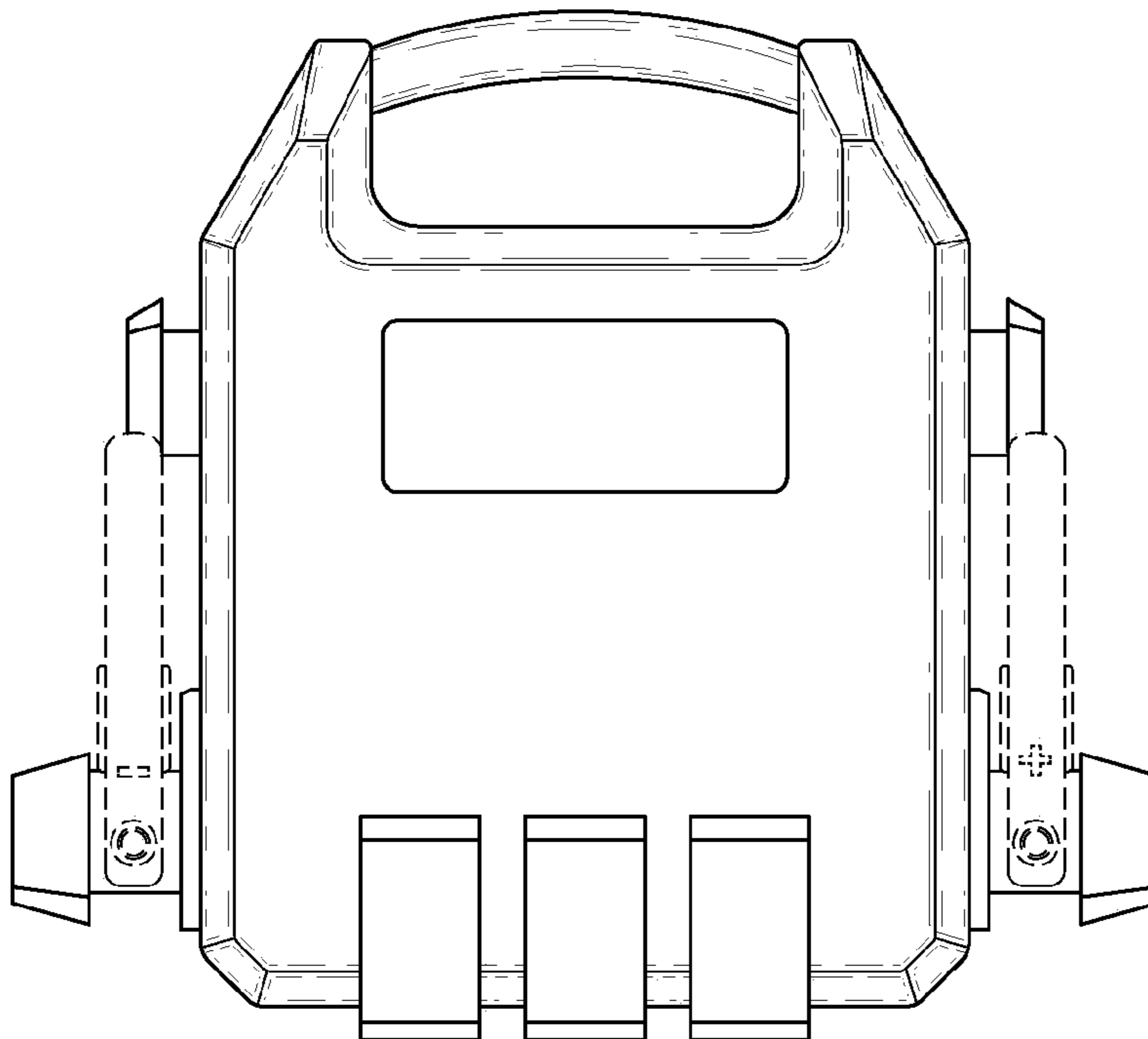


FIG. 2

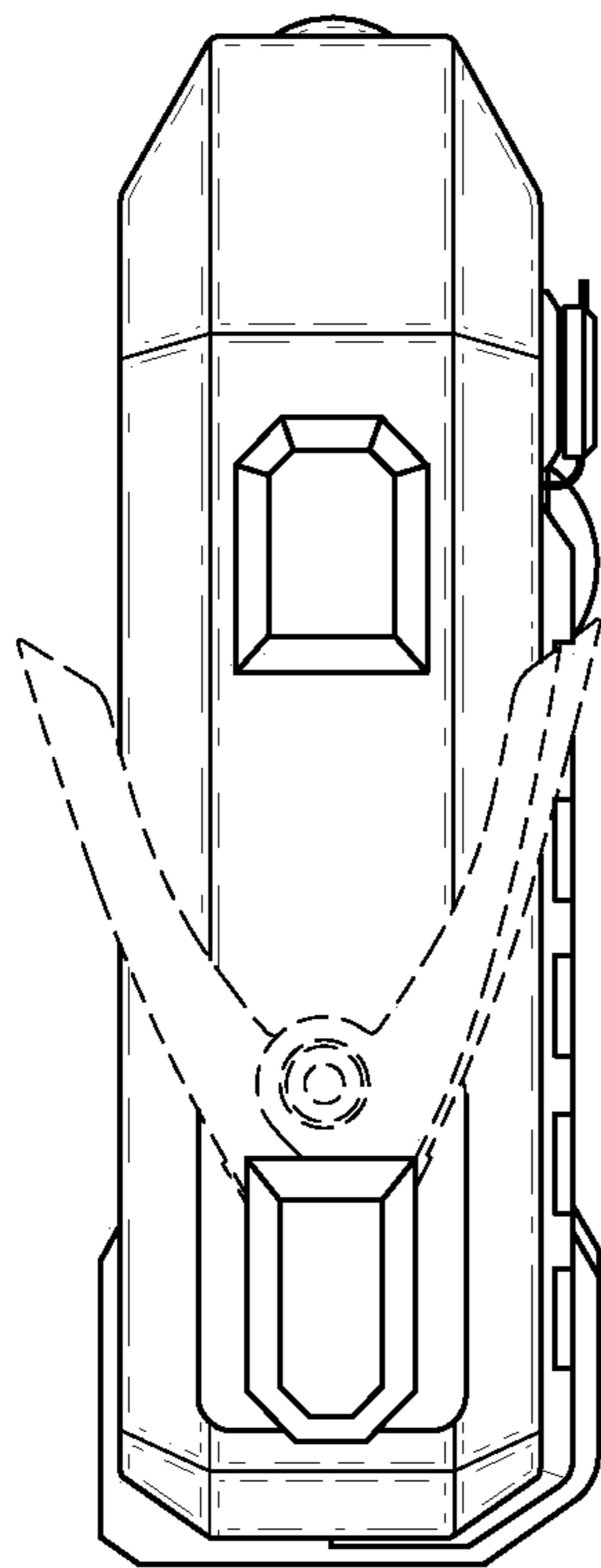


FIG. 3

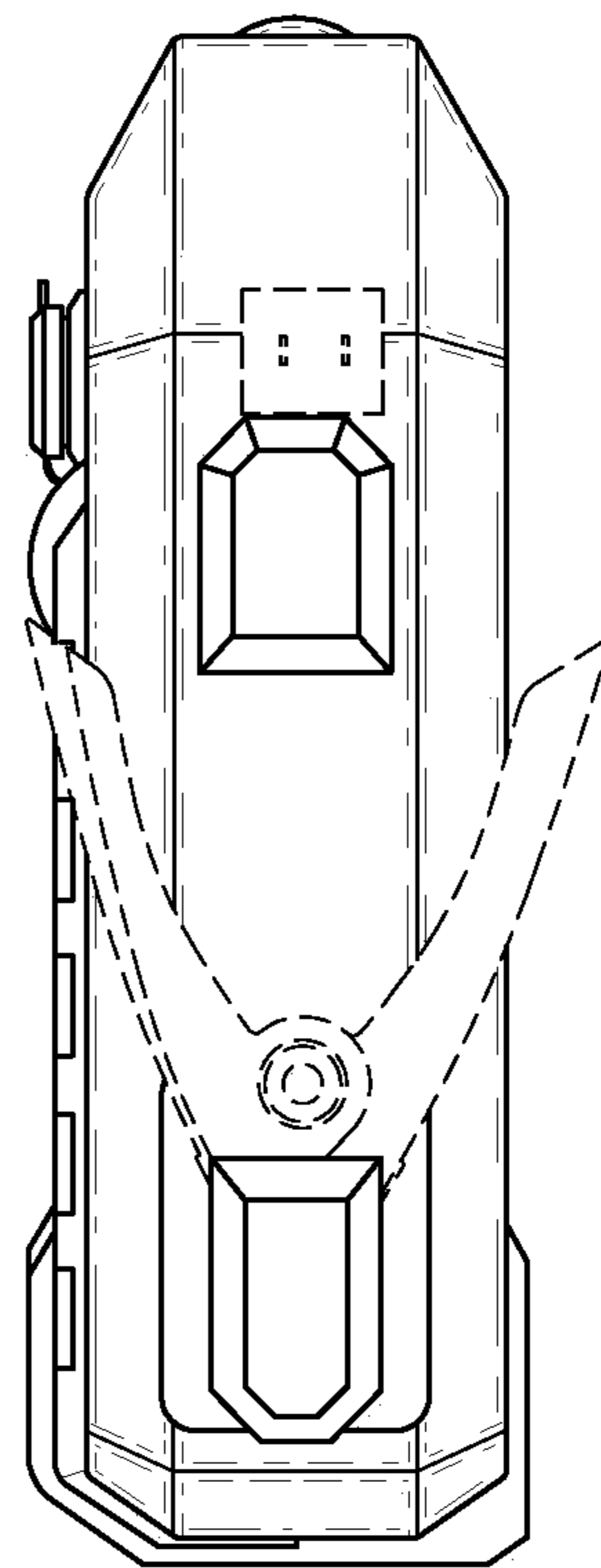


FIG. 4

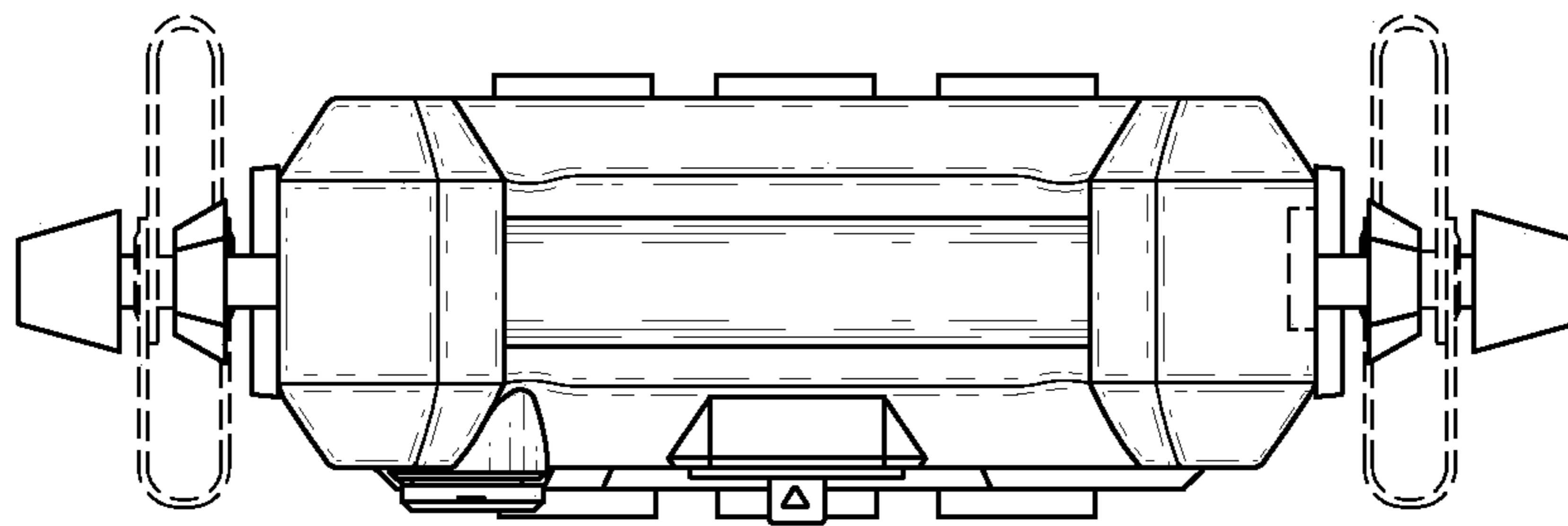


FIG. 5

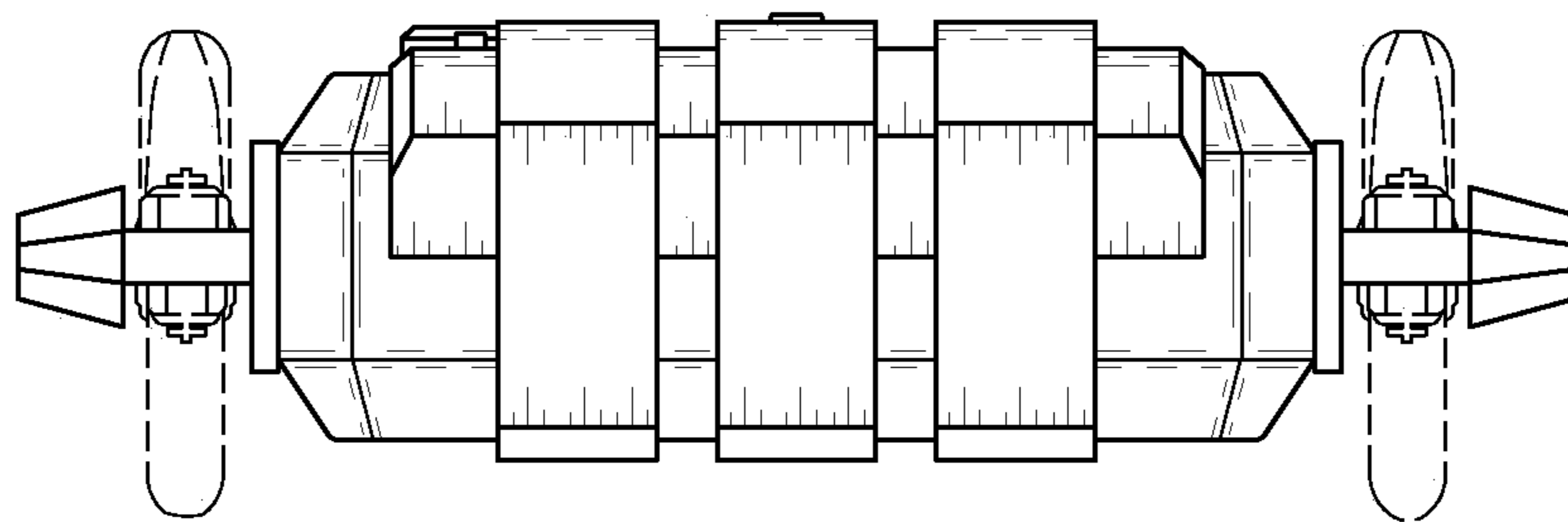


FIG. 6

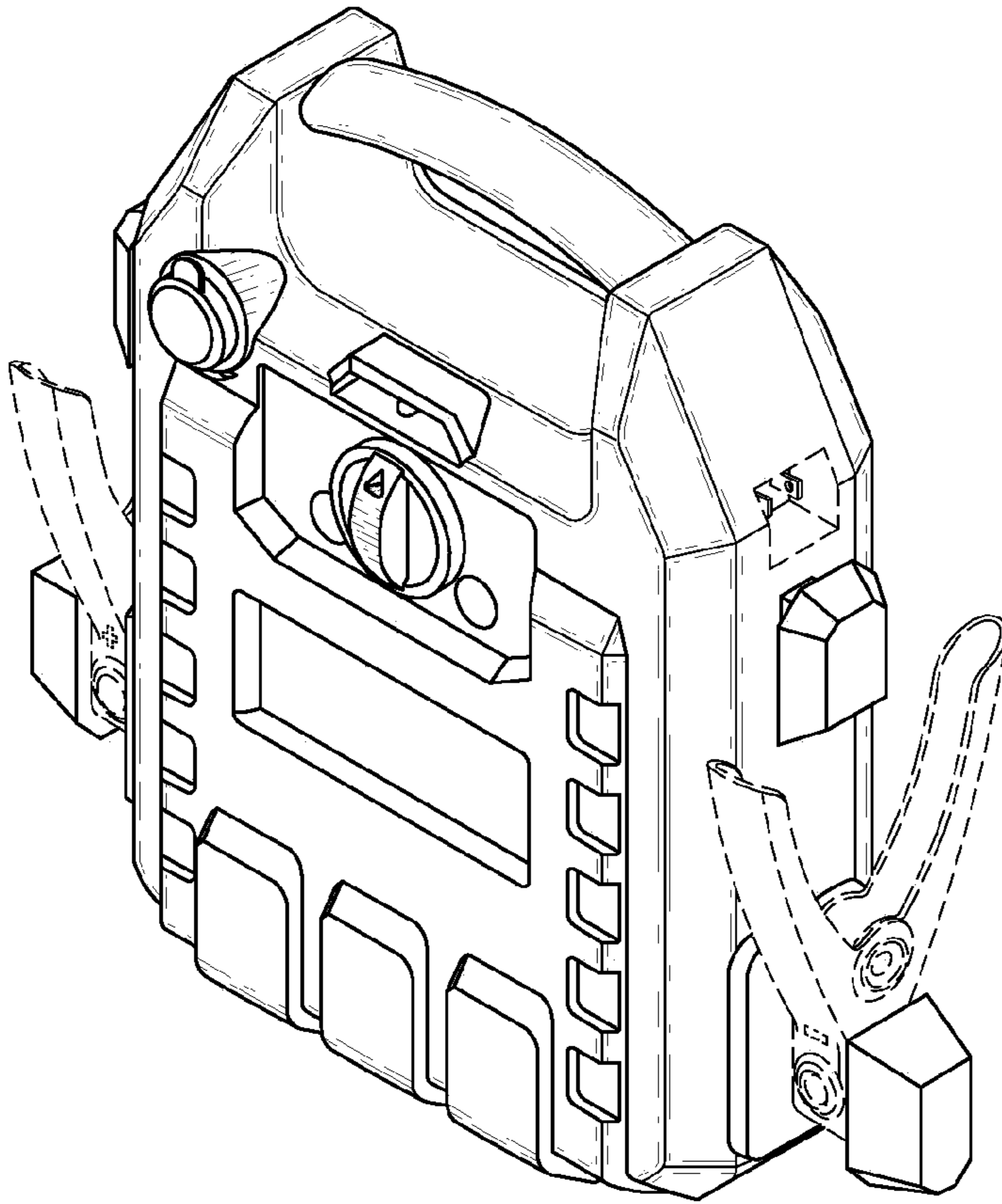


FIG. 7

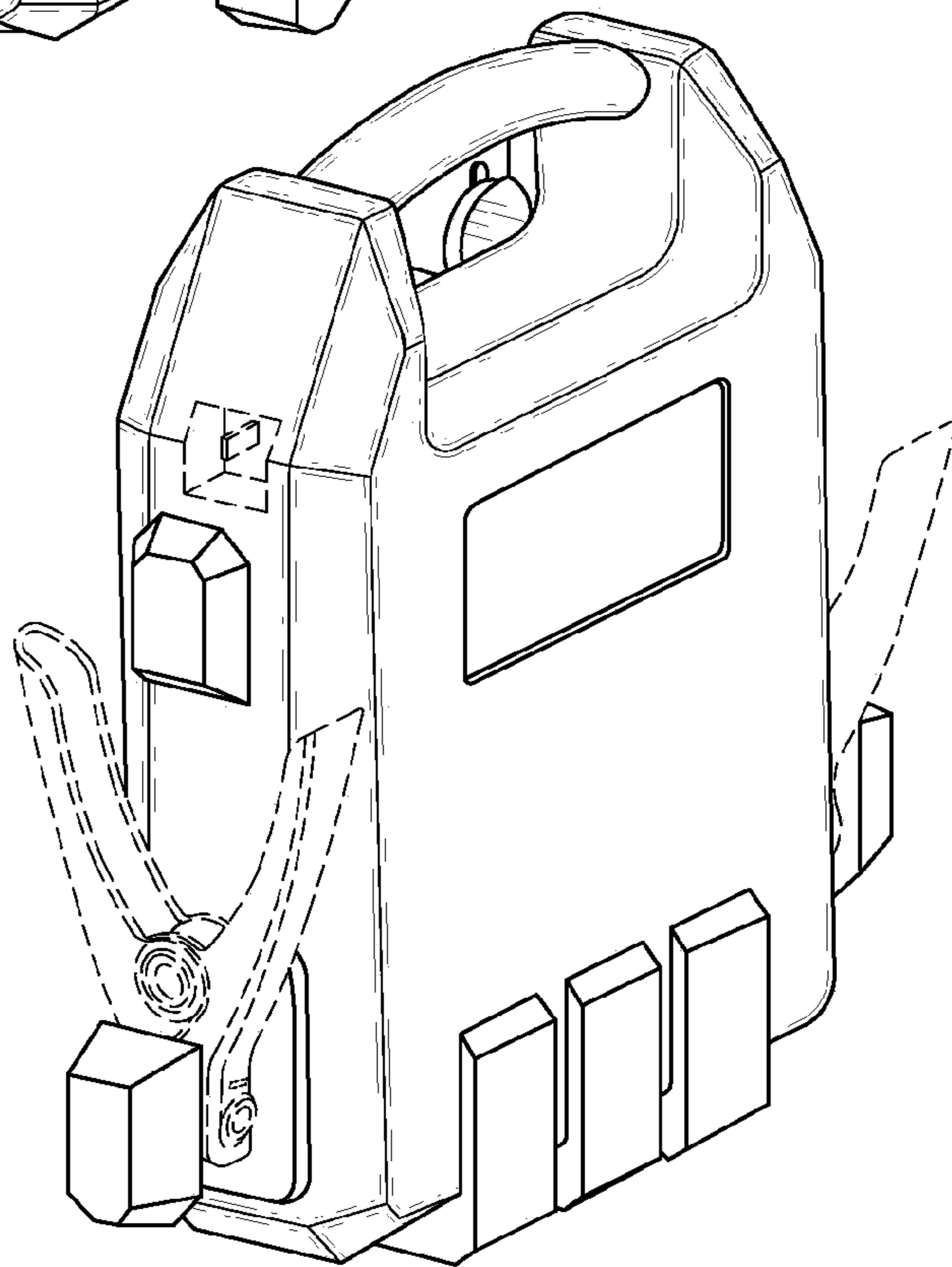


FIG. 8