



US00D742820S

(12) **United States Design Patent**
Behar et al.

(10) **Patent No.:** **US D742,820 S**

(45) **Date of Patent:** **** Nov. 10, 2015**

(54) **VEHICLE CHARGER**

(71) Applicant: **General Electric Company**,
Schenectady, NY (US)

(72) Inventors: **Yves Albert Behar**, San Francisco, CA
(US); **Joshua Tree Morenstein**, San
Francisco, CA (US); **Pichaya**
Puttorngul, San Francisco, CA (US);
Matthew David Swinton, San
Francisco, CA (US); **Jennifer Yoko**
Olson, San Francisco, CA (US);
Matthew John Malone, San Francisco,
CA (US)

(73) Assignee: **General Electric Company**,
Schenectady, NY (US)

(**) Term: **14 Years**

(21) Appl. No.: **29/510,817**

(22) Filed: **Dec. 3, 2014**

Related U.S. Application Data

(60) Division of application No. 29/464,589, filed on Aug.
19, 2013, which is a continuation of application No.
29/383,179, filed on Jan. 13, 2011, now Pat. No. Des.
688,199.

(51) **LOC (10) Cl.** **13-02**

(52) **U.S. Cl.**
USPC **D13/107**

(58) **Field of Classification Search**
USPC D13/107-110, 118-119, 184, 199;
D15/9; 320/103-115
CPC Y02E 60/12; Y02T 90/14; Y02T 90/122;
Y02T 90/128; Y02T 90/163; Y02T 10/7005;
Y02T 10/705; Y02T 10/7088; H02J 3/32;
H02J 3/008; H02J 7/025; H02J 7/0013;
H02J 7/0027; H02J 7/0034; H02J 7/0042;
H02J 7/0044; H02J 7/0045; H02J 7/0054;

H02J 7/1423; H02J 7/0003; H02J 2001/006;
H02J 2001/008; H01F 38/14; H01R 13/6675;
H01M 2/1022; H01M 2/1055; H01M 10/44;
H01M 10/46; H01M 10/425; B60L 11/182;
B60L 11/1809; B60L 11/1861; B60R 16/03

See application file for complete search history.

(56) **References Cited**

U.S. PATENT DOCUMENTS

D237,718 S 11/1975 Bozich et al.
4,161,682 A 7/1979 Corvette

(Continued)

OTHER PUBLICATIONS

U.S. Appl. No. 29/383,179 Non-Final Office Action dated Feb. 22,
2013.

(Continued)

Primary Examiner — Rosemary K Tarcza

(74) *Attorney, Agent, or Firm* — GE Global Patent
Operation; Stephen G. Midgley

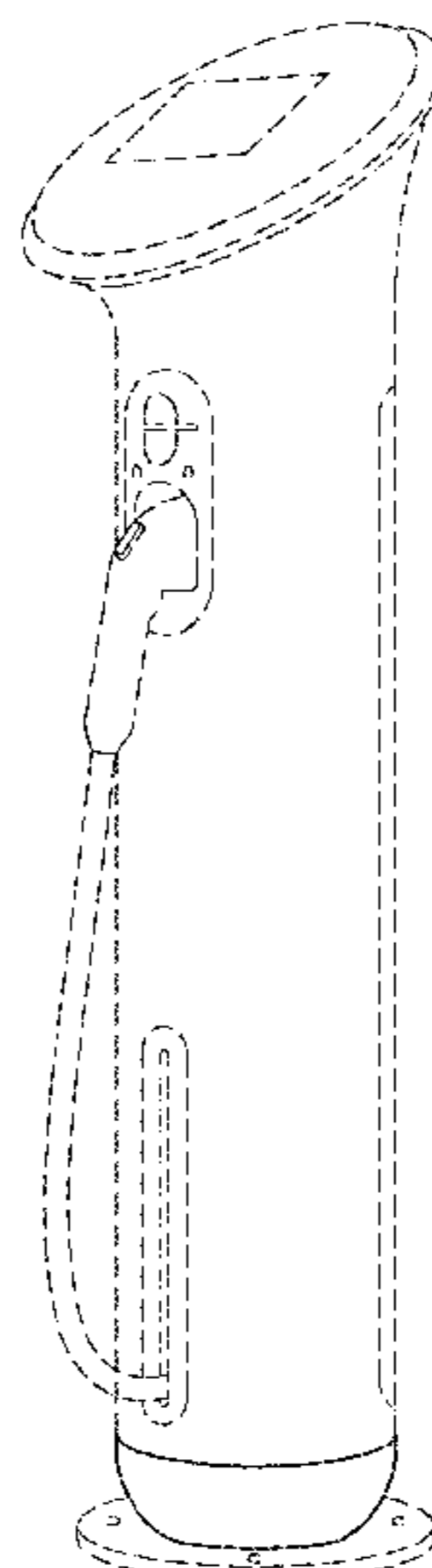
(57) **CLAIM**

We claim, the ornamental design for a vehicle charger, as
shown and described.

DESCRIPTION

FIG. 1 is a perspective view of a first embodiment the inven-
tion;
FIG. 2 is a front view of the embodiment of FIG. 1;
FIG. 3 is a rear view of the embodiment of FIG. 1;
FIG. 4 is a side view of the embodiment of FIG. 1, the
opposite side being a mirror image thereof;
FIG. 5 is a top view of the embodiment of FIG. 1; and,
FIG. 6 is a bottom view of the embodiment of FIG. 1.
The broken lines shown in FIG. 1-FIG. 6 are environmental
and not part of the claimed design.

1 Claim, 5 Drawing Sheets



(56)

References Cited

U.S. PATENT DOCUMENTS

D270,831 S 10/1983 Jensen
 D360,496 S * 7/1995 Norman D30/124
 5,461,299 A 10/1995 Bruni
 D434,001 S 11/2000 Sayger
 6,362,594 B2 3/2002 Kajiura
 D464,934 S 10/2002 Chen
 D511,746 S * 11/2005 Lu D13/110
 D597,937 S 8/2009 Haw et al.
 D602,615 S * 10/2009 Liu D26/26
 D608,731 S 1/2010 Amit
 D608,733 S 1/2010 Smith
 D608,734 S 1/2010 Smith
 D613,683 S 4/2010 Baxter et al.
 D618,168 S 6/2010 Baxter et al.
 D628,960 S 12/2010 Shimizu et al.
 D629,747 S 12/2010 Rajakaruna
 D632,645 S 2/2011 Blain
 D634,267 S 3/2011 Blain
 D639,733 S 6/2011 Liu et al.
 D641,316 S 7/2011 Schneiderat
 D641,317 S 7/2011 Schneiderat
 D646,631 S * 10/2011 Gotou et al. D13/107
 D647,053 S * 10/2011 Gotou et al. D13/107
 D651,561 S 1/2012 Petrie et al.
 D652,791 S 1/2012 Petrie et al.
 D654,857 S 2/2012 Salazar et al.
 D654,858 S 2/2012 Salazar et al.
 D654,859 S 2/2012 Callender
 D654,861 S 2/2012 Holthusen

D654,862 S 2/2012 Holthusen
 D662,045 S * 6/2012 Gotou et al. D13/107
 D664,089 S 7/2012 Kim et al.
 D664,500 S 7/2012 Degn
 D664,918 S * 8/2012 Brandys et al. D13/107
 D664,919 S * 8/2012 Brandys et al. D13/107
 D665,344 S 8/2012 Petrie et al.
 D676,376 S 2/2013 Yamada et al.
 D683,306 S * 5/2013 Lecoanet et al. D13/107
 D683,307 S * 5/2013 Lecoanet et al. D13/107
 D683,308 S * 5/2013 Lecoanet et al. D13/107
 D688,199 S * 8/2013 Behar et al. D13/107
 D698,309 S 1/2014 Moribe et al.
 D710,799 S 8/2014 Kim et al.
 2010/0320966 A1 12/2010 Baxter et al.
 2011/0140656 A1 6/2011 Starr et al.
 2011/0145141 A1 6/2011 Blain et al.
 2011/0174875 A1 7/2011 Wurzer et al.
 2012/0212180 A1 8/2012 Iida et al.
 2012/0262114 A1 10/2012 Bianco
 2013/0026987 A1 1/2013 Gutierrez et al.
 2013/0175989 A1 7/2013 Bonwit et al.
 2013/0181670 A1 7/2013 Bonwit et al.
 2013/0234663 A1 * 9/2013 Kushalappa et al. 320/109
 2014/0111158 A1 * 4/2014 Kinomura et al. 320/109
 2014/0117144 A1 5/2014 Kinomura et al.
 2014/0266017 A1 9/2014 Hamada et al.

OTHER PUBLICATIONS

U.S. Appl. No. 29/464,589 Notice of Allowance dated Dec. 23, 2014.

* cited by examiner

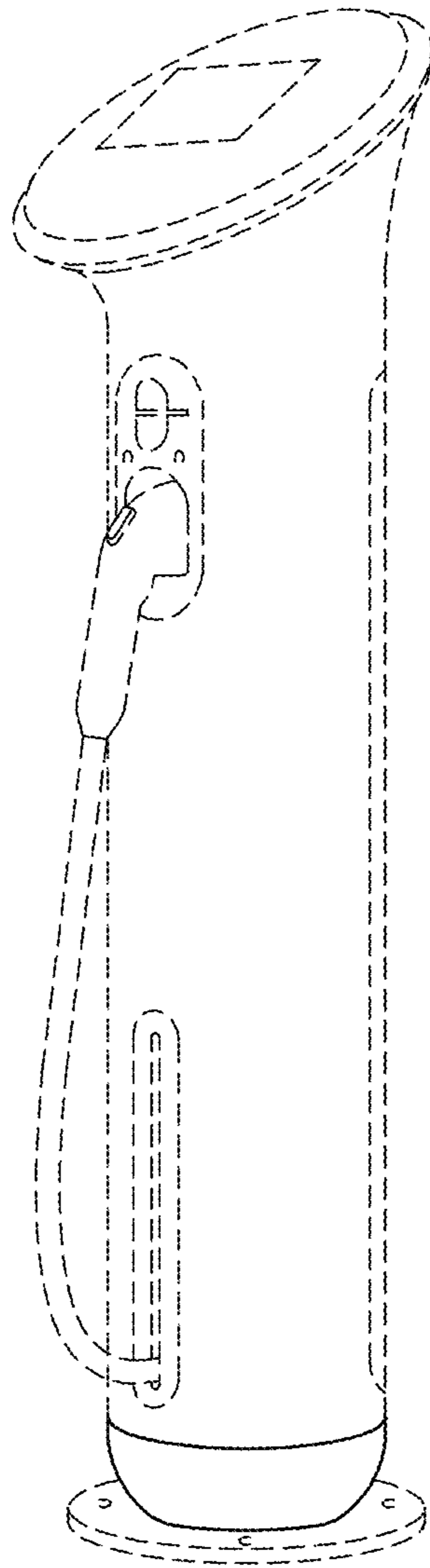


FIG. 1

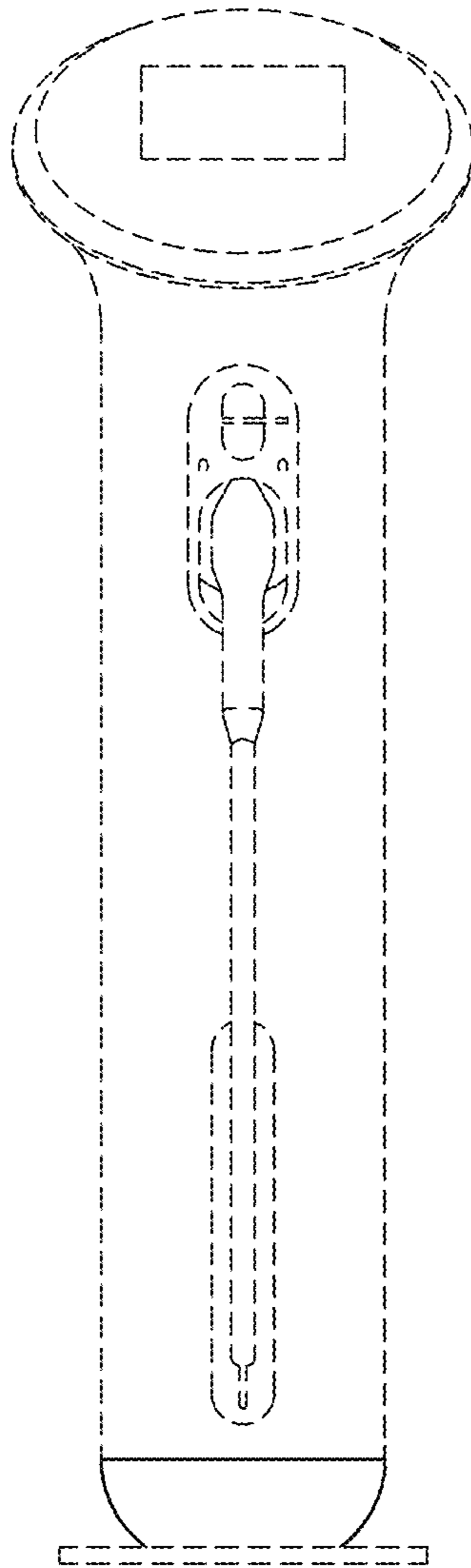


FIG. 2

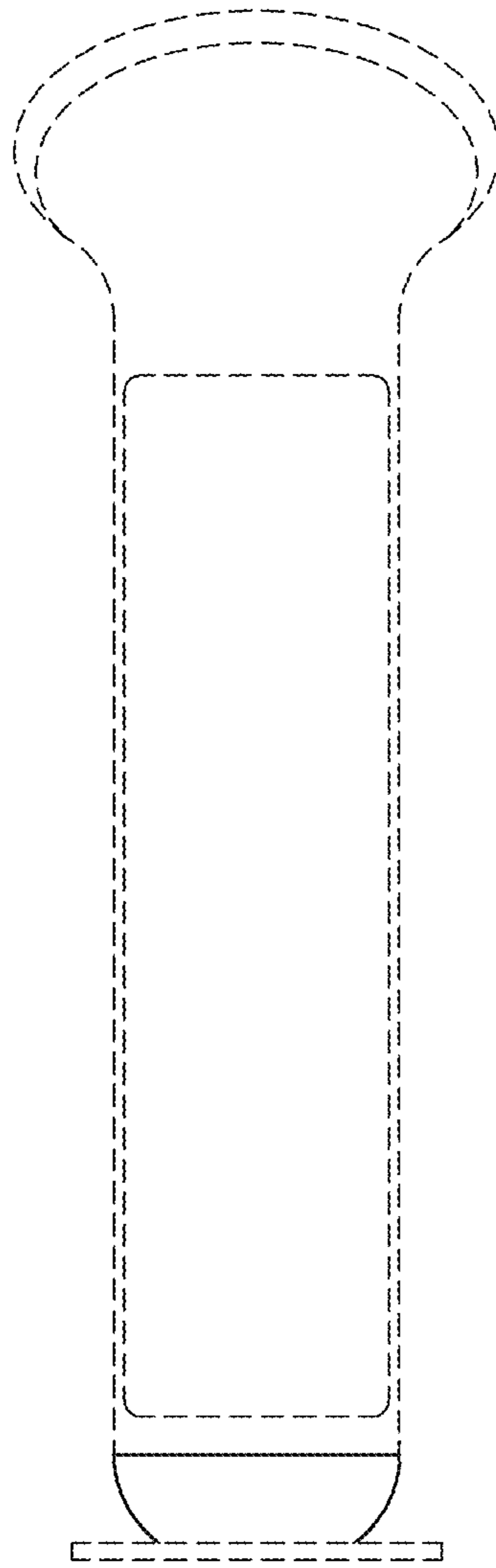


FIG. 3

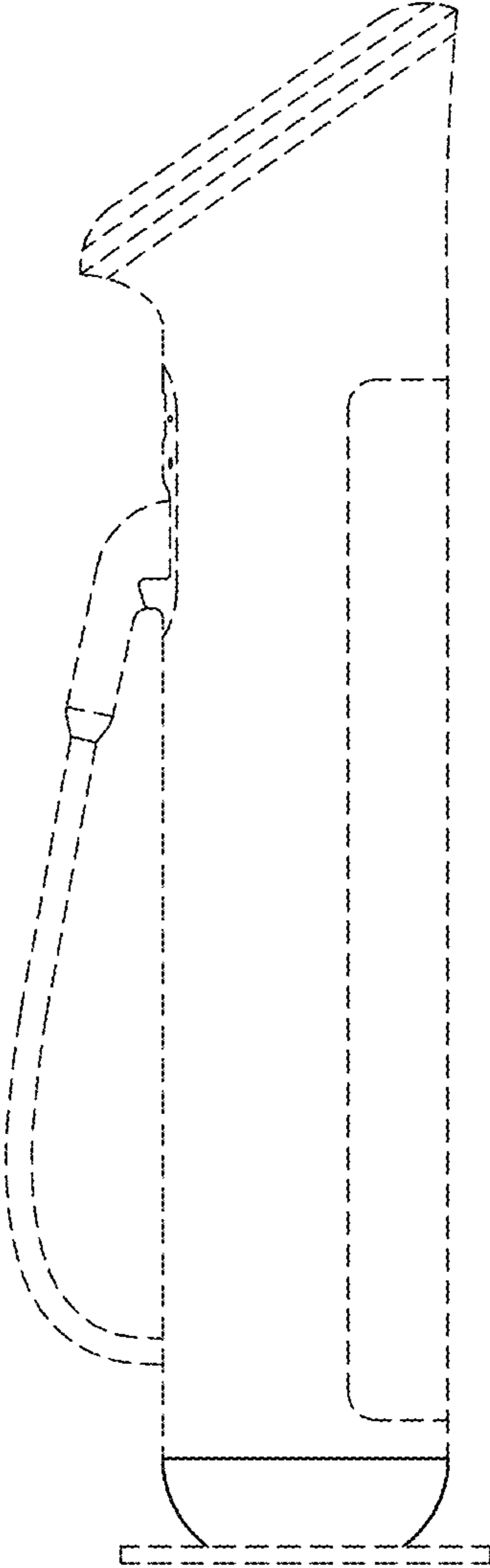


FIG. 4

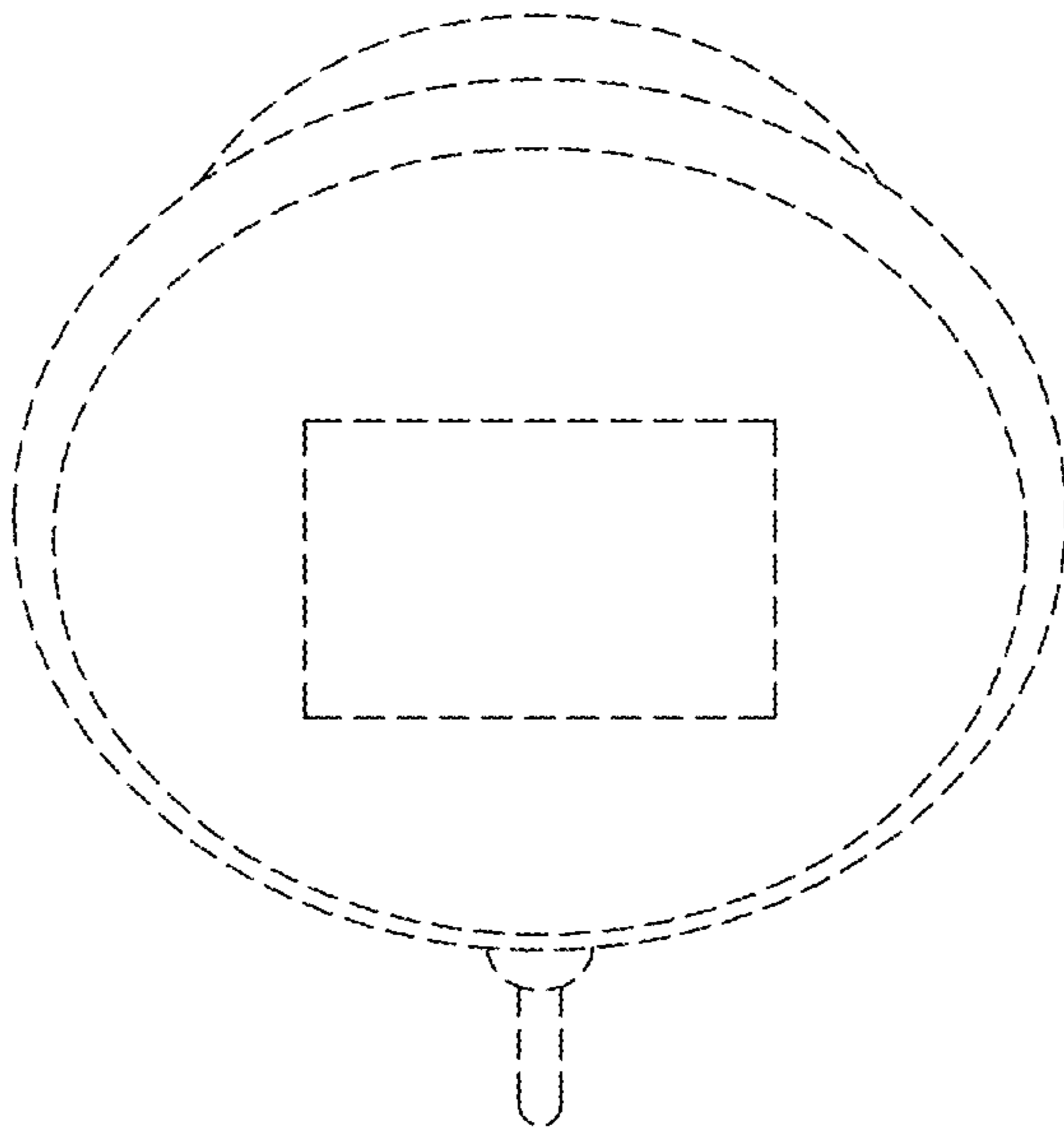


FIG. 5

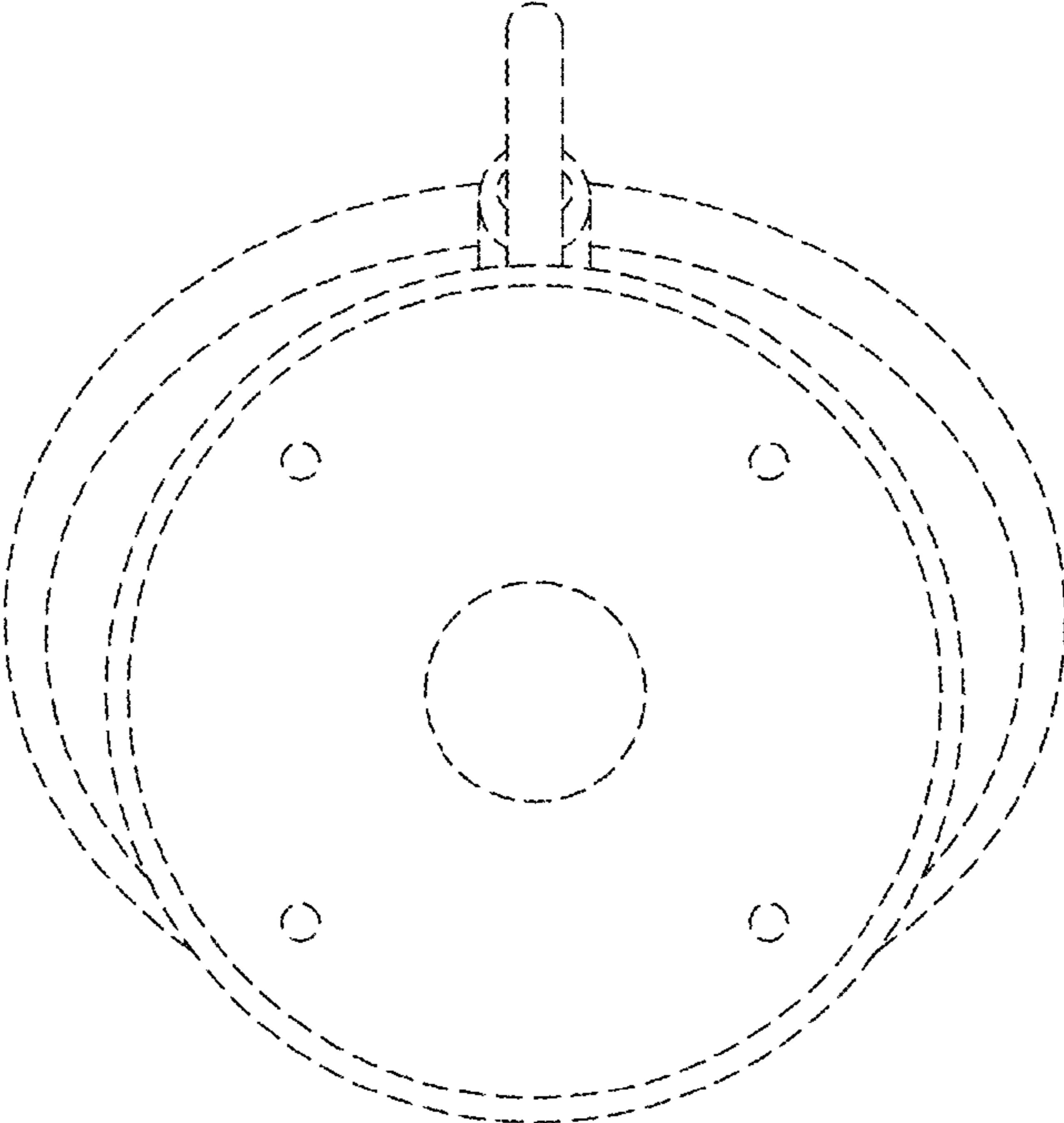


FIG. 6