



US00D742819S

(12) **United States Design Patent**  
**Nuovo et al.**

(10) **Patent No.:** **US D742,819 S**

(45) **Date of Patent:** **\*\* Nov. 10, 2015**

(54) **BATTERY CHARGER**

(71) Applicant: **Samsung Electronics Co., Ltd.**,  
Suwon-si (KR)

(72) Inventors: **Frank Nuovo**, Los Angeles, CA (US);  
**Sheldon George Phillips**, Glendale, CA  
(US); **Eduardo Salazar**, Reseda, CA  
(US)

(73) Assignee: **SAMSUNG ELECTRONICS CO.,  
LTD.**, Suwon-Si (KR)

(\*\*) Term: **14 Years**

(21) Appl. No.: **29/491,641**

(22) Filed: **May 22, 2014**

(51) **LOC (10) Cl.** ..... **13-02**

(52) **U.S. Cl.**  
USPC ..... **D13/107**

(58) **Field of Classification Search**

USPC ..... D13/107-110, 118-119, 182, 199;  
D14/251, 253, 432, 434; 320/107-115  
CPC ..... Y02E 60/12; Y02T 90/14; Y02T 90/122;  
Y02T 90/128; Y02T 90/163; H02J 7/025;  
H02J 7/0042; H02J 7/0044; H02J 7/0045;  
H02J 7/0003; H01F 38/14; H01R 13/6675;  
H01M 2/1022; H01M 2/1055; H01M 10/44;  
H01M 10/46; H01M 10/425; B60L 11/182  
See application file for complete search history.

(56) **References Cited**

**U.S. PATENT DOCUMENTS**

3,183,891 A \* 5/1965 MacDonald ..... H02J 7/0042  
15/3.53  
5,019,767 A \* 5/1991 Shirai ..... H01M 2/105  
224/902  
D465,764 S \* 11/2002 Salazar ..... D13/107

D573,089 S \* 7/2008 Mandel ..... D13/107  
D580,853 S \* 11/2008 Ahlgren ..... D13/107  
D617,267 S \* 6/2010 Li ..... D13/107  
D624,013 S \* 9/2010 Lingott ..... D13/107  
D624,014 S \* 9/2010 Lingott ..... D13/107  
D642,523 S \* 8/2011 Crawford ..... D13/108  
D662,879 S \* 7/2012 Steinbuchel, IV ..... D13/107  
D664,501 S \* 7/2012 Inskeep ..... D13/107  
D696,188 S \* 12/2013 Loeck ..... D13/108  
D697,026 S \* 1/2014 Dasbach ..... D13/108  
D711,314 S \* 8/2014 Marino ..... D13/107

\* cited by examiner

*Primary Examiner* — Rosemary K Tarcza

(74) *Attorney, Agent, or Firm* — McAndrews Held & Malloy, Ltd.

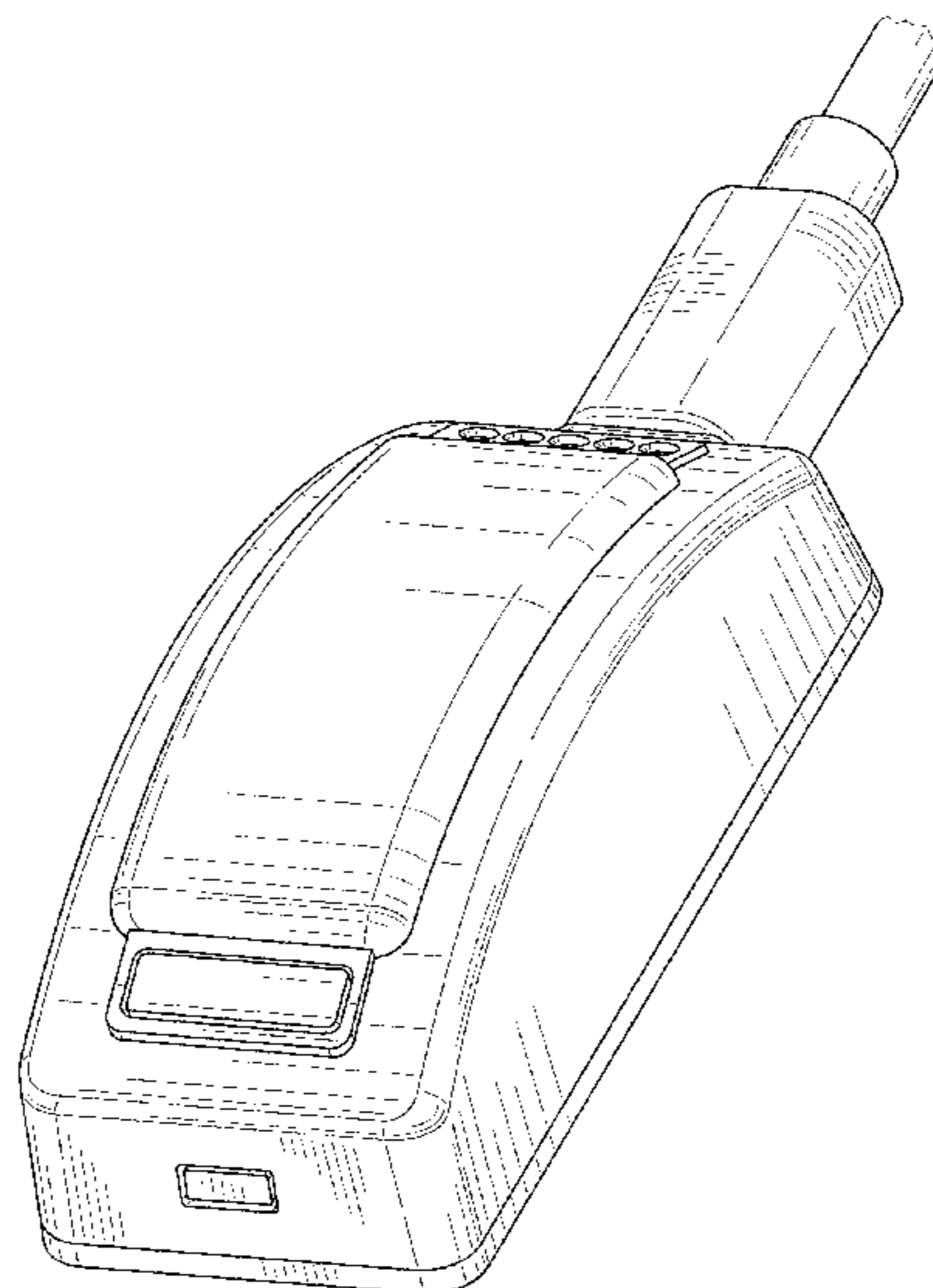
(57) **CLAIM**

The ornamental design for a battery charger, as shown and described.

**DESCRIPTION**

FIG. 1 is a top right front perspective view of a battery charger showing our new design;  
FIG. 2 is a front elevation view thereof;  
FIG. 3 is a rear elevation view thereof;  
FIG. 4 is a left side elevation view thereof;  
FIG. 5 is a right side elevation view thereof;  
FIG. 6 is a top plan view thereof;  
FIG. 7 is a bottom plan view thereof;  
FIG. 8 is a bottom right rear perspective view thereof; and,  
FIG. 9 is a top right front perspective view thereof showing additional unclaimed environmental structure.  
The even length dashed broken lines are for environmental purposes only and form no part of the claimed design.  
The uneven length dot-dash broken lines represent an unclaimed boundary line and form no part of the claimed design.

**1 Claim, 8 Drawing Sheets**



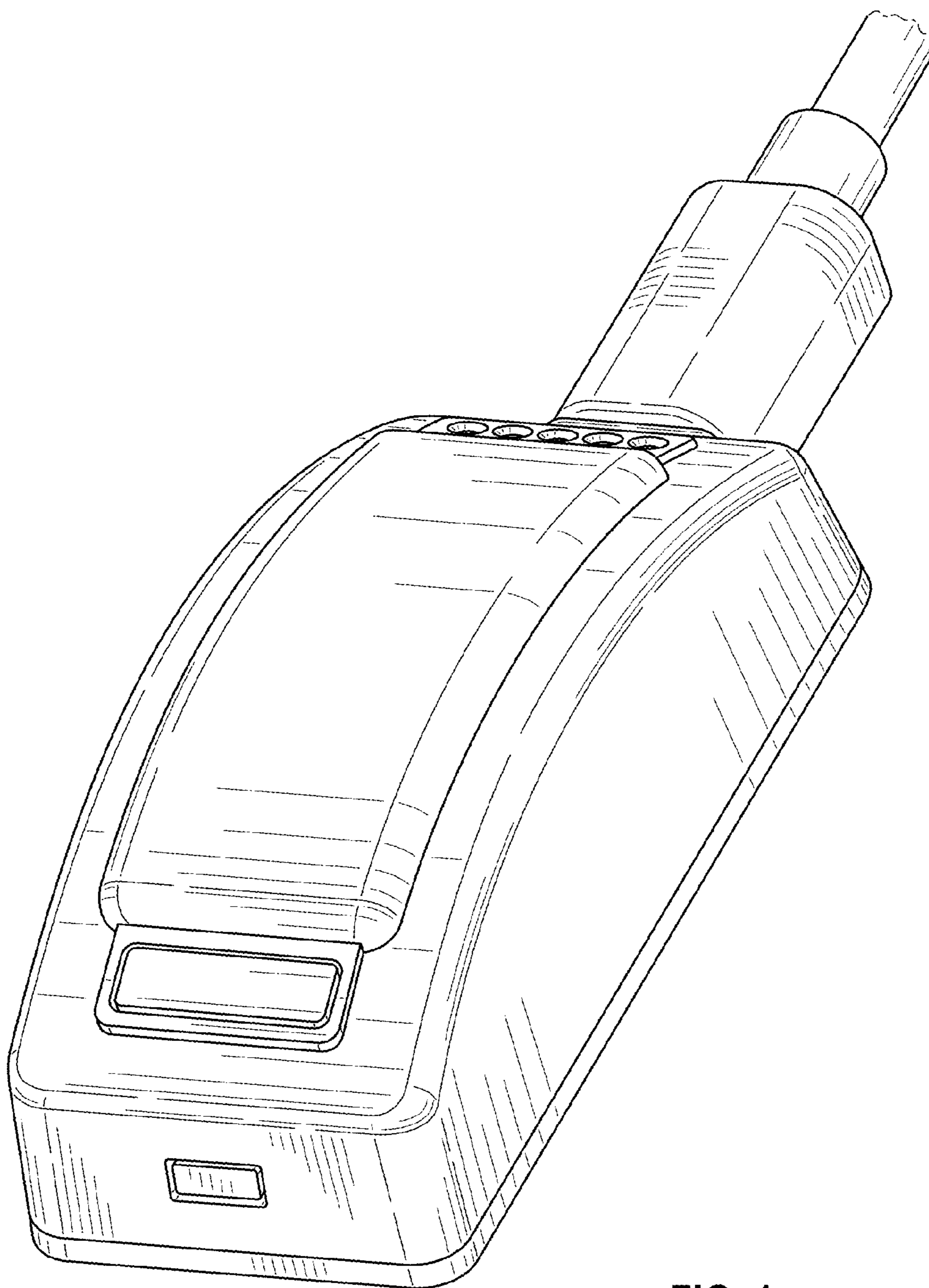


FIG. 1

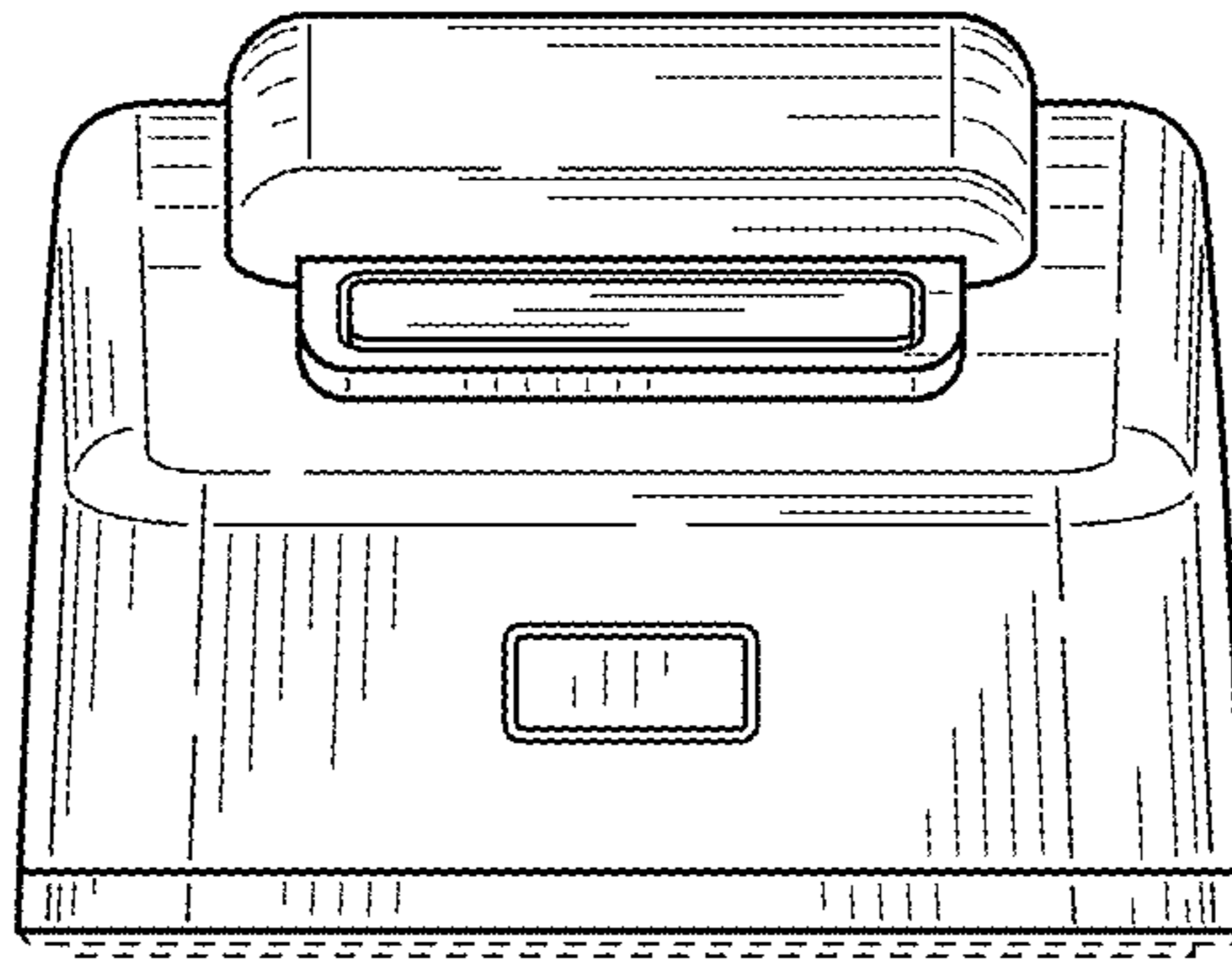


FIG. 2

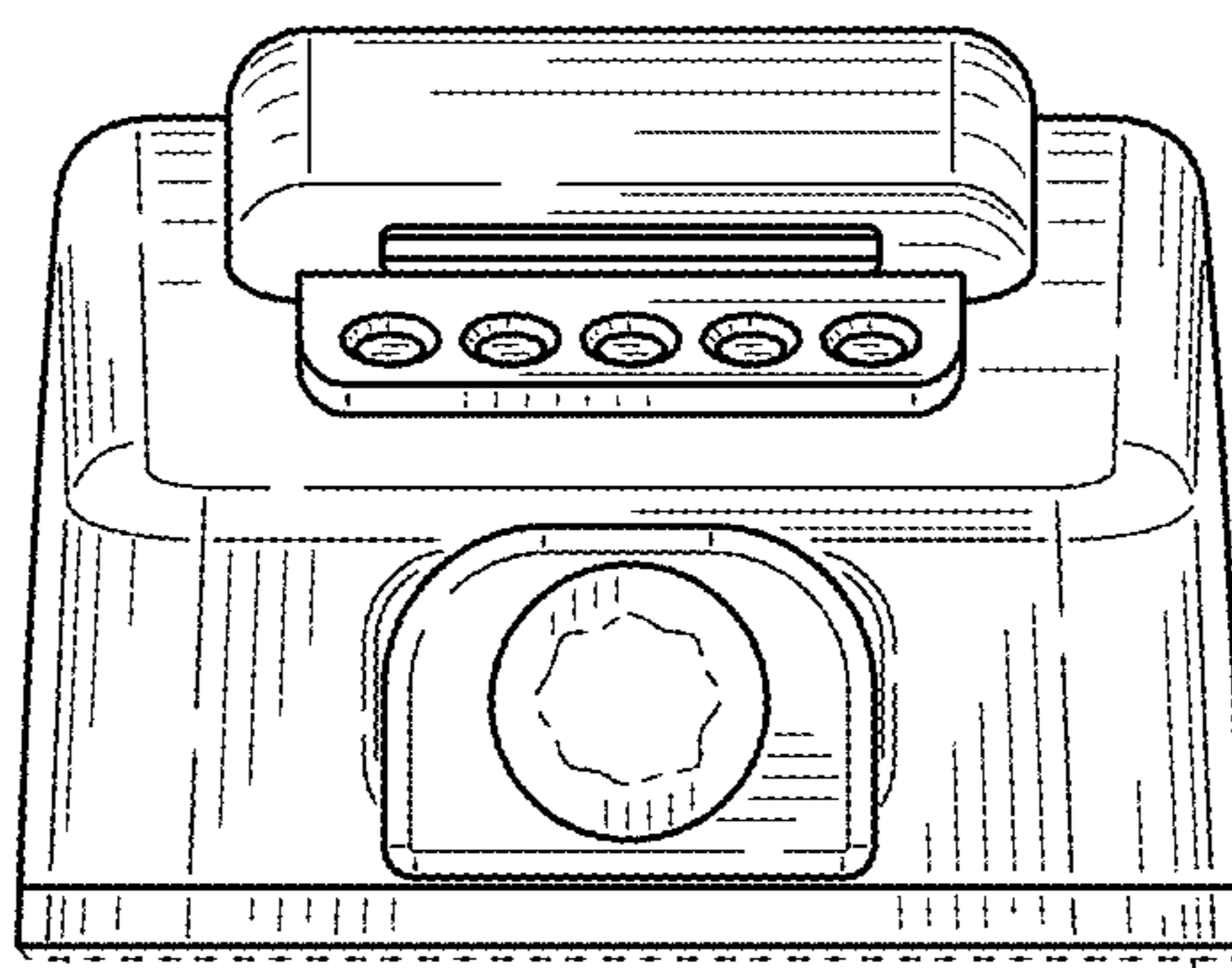


FIG. 3

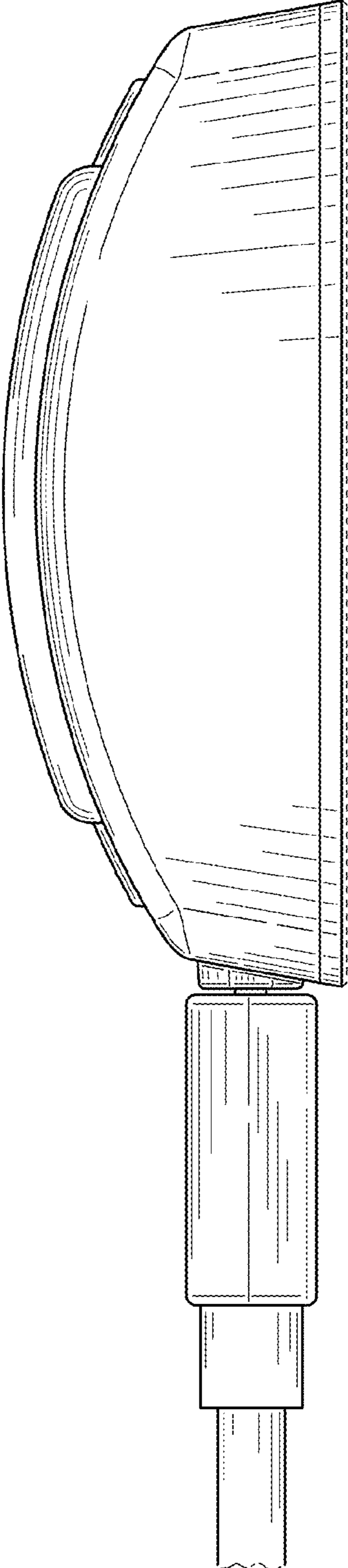


FIG. 4

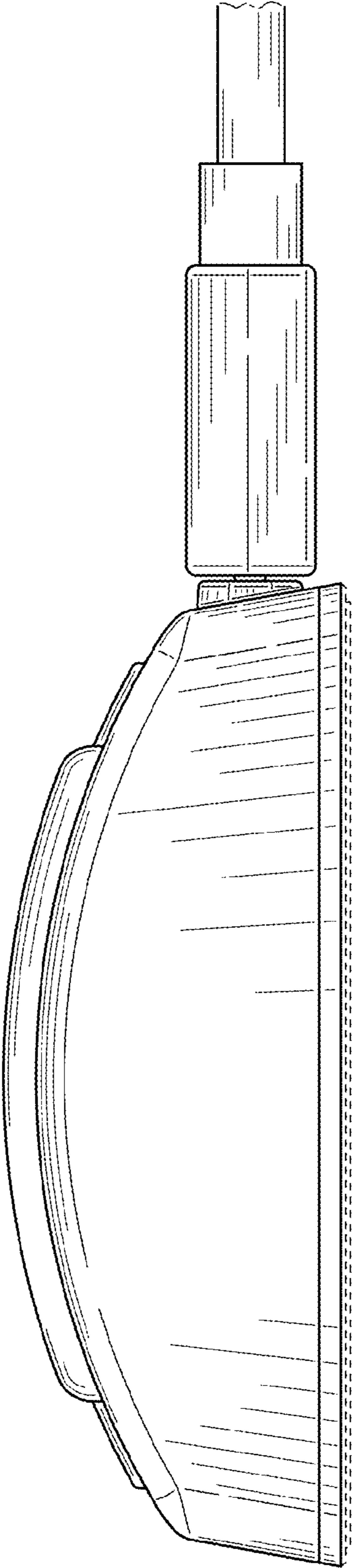


FIG. 5

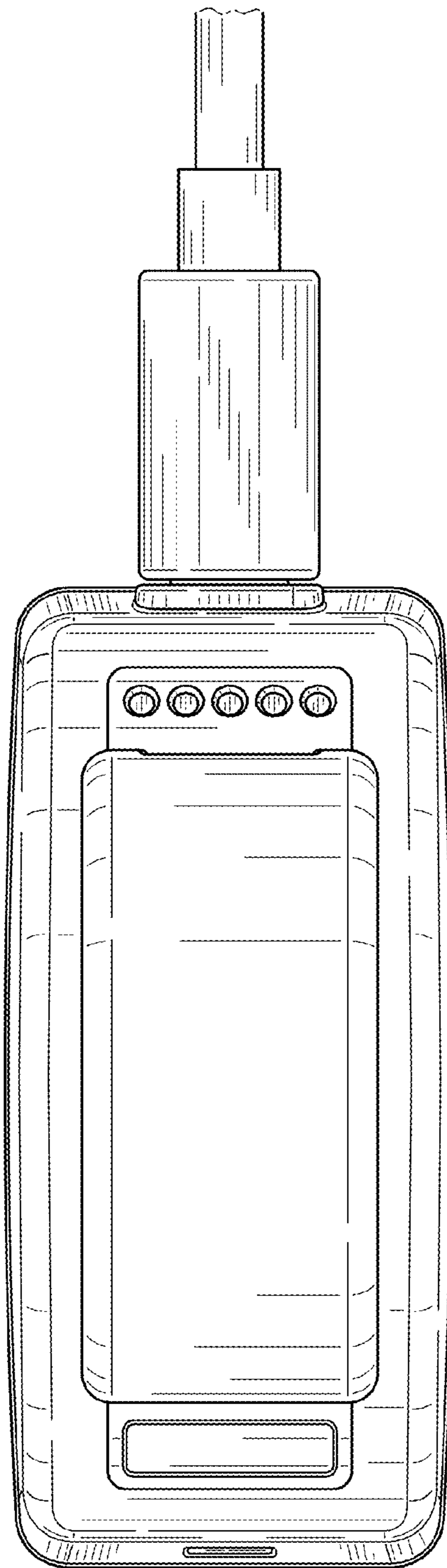


FIG. 6

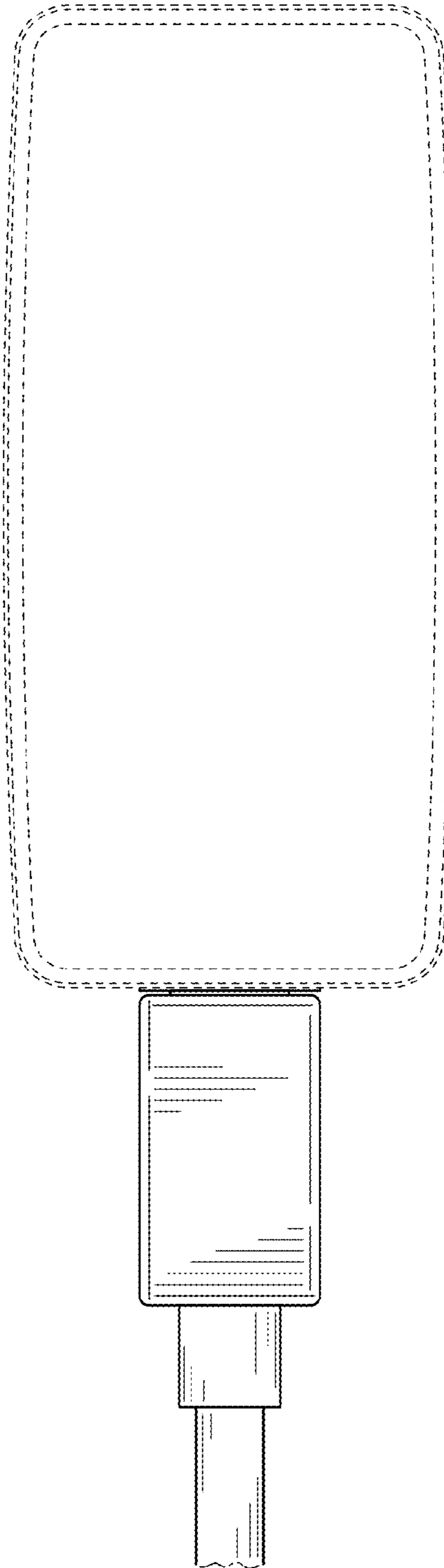


FIG. 7

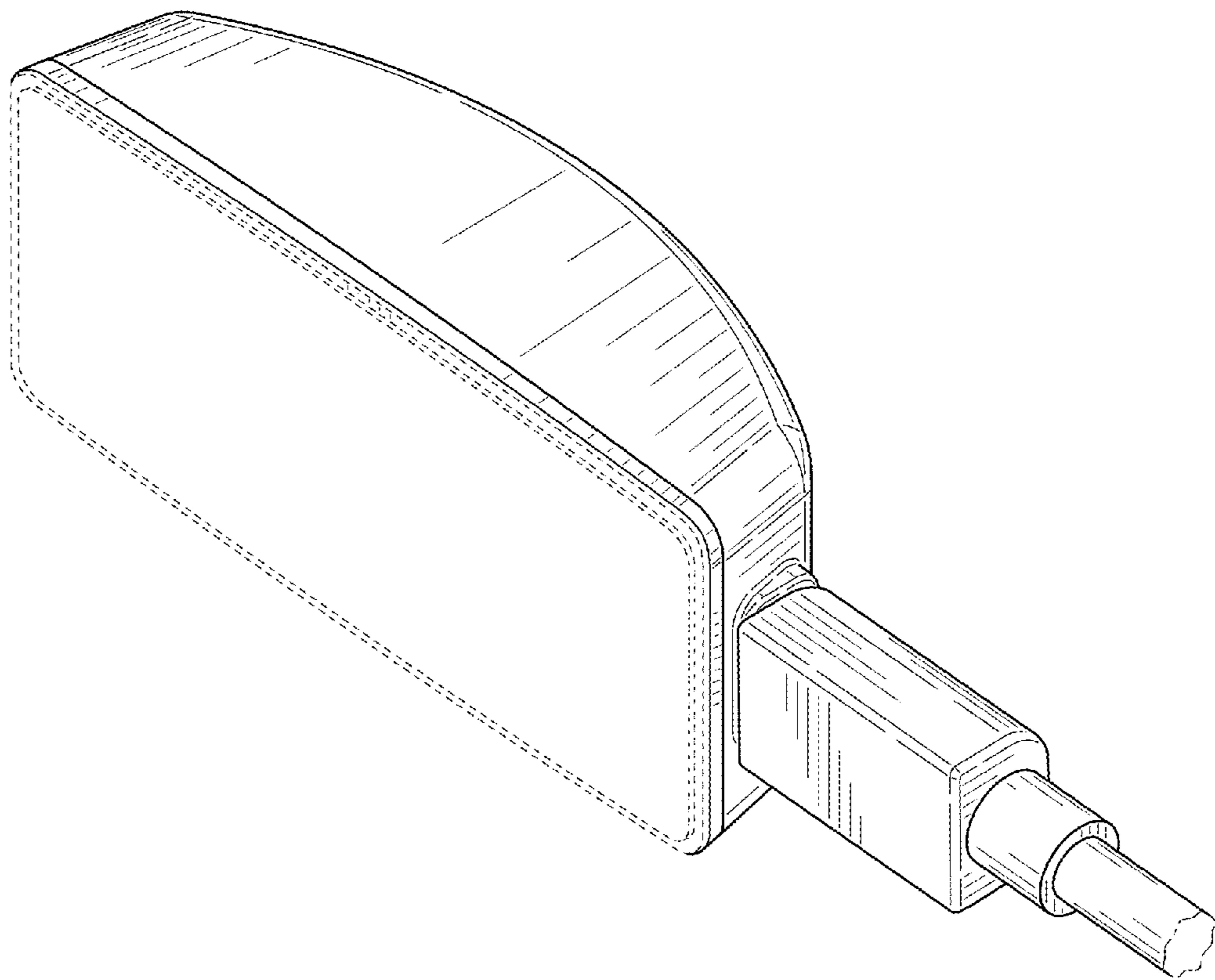


FIG. 8



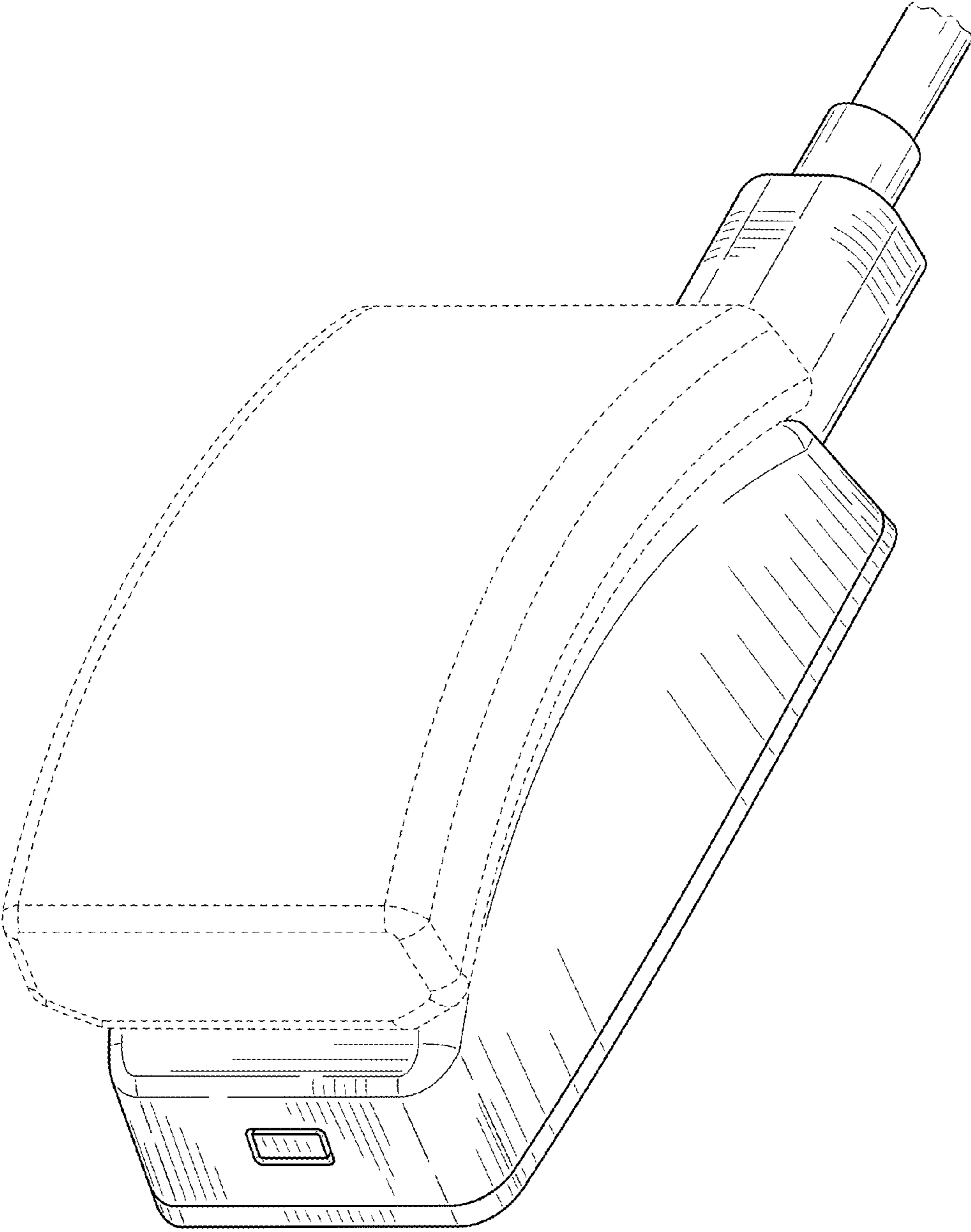


FIG. 9