



US00D742818S

(12) **United States Design Patent**
Lin et al.

(10) **Patent No.:** **US D742,818 S**

(45) **Date of Patent:** **** Nov. 10, 2015**

(54) **BATTERY PACK**

H01M 10/465; H01M 10/482; H01M 10/425;
H01M 2200/30; H01M 2250/30; H01M
2250/40; B60L 11/182

(71) Applicant: **Transducers Direct LLC**, Cincinnati,
OH (US)

See application file for complete search history.

(72) Inventors: **Rongjau Lin**, West Chester, OH (US);
Robert W Matthes, Loveland, OH (US);
David Allen Topmiller, Edgewood, KY
(US)

(56) **References Cited**

U.S. PATENT DOCUMENTS

D352,270	S	*	11/1994	Yung	D13/103
D384,031	S	*	9/1997	Lui	D13/103
D432,079	S	*	10/2000	Matthes	D13/103
D507,546	S	*	7/2005	Fairfull	D13/184
D582,341	S	*	12/2008	Koenecke	D13/103
D697,024	S	*	1/2014	Lathrop	D13/103
D699,671	S	*	2/2014	Walz	D13/103
D719,507	S	*	12/2014	Ogihara	D13/108

(73) Assignee: **Transducers Direct LLC**, Cincinnati,
OH (US)

(**) Term: **14 Years**

* cited by examiner

(21) Appl. No.: **29/496,911**

(22) Filed: **Jul. 18, 2014**

Primary Examiner — Rosemary K Tarcza

Assistant Examiner — Sanjeev Paul

(51) **LOC (10) Cl.** **13-02**

(52) **U.S. Cl.**
USPC **D13/103**

(74) *Attorney, Agent, or Firm* — David A. Topmiller, Esq.

(58) **Field of Classification Search**

(57) **CLAIM**

The ornamental design for a battery pack, as shown.

USPC D13/102–110, 118–119, 184, 199, 133,
D13/144; D14/356, 432, 251, 253, 434, 155
CPC Y02E 60/12; Y02E 60/10; Y02E 60/122;
Y02E 60/124; Y02E 60/50; Y02T 90/14;
Y02T 90/122; Y02T 90/128; Y02T 90/163;
H02J 7/025; H02J 7/0042; H02J 7/0044;
H02J 7/0045; H02J 7/0003; H02J 7/00;
H02J 7/0011; H02J 7/0013; H02J 7/0054;
H02J 7/0055; H02J 7/0057; H02J 2007/0062;
H01F 38/14; H01R 13/6675; H01M 2/02;
H01M 2/022; H01M 2/0202; H01M 2/0207;
H01M 2/0212; H01M 2/1061; H01M 2/1022;
H01M 2/1055; H01M 2/1066; H01M 2/105;
H01M 2/20; H01M 2/202; H01M 2/204;
H01M 2/206; H01M 10/44; H01M 10/46;

DESCRIPTION

FIG. 1 is a perspective view of a battery pack in accordance
with the new design;

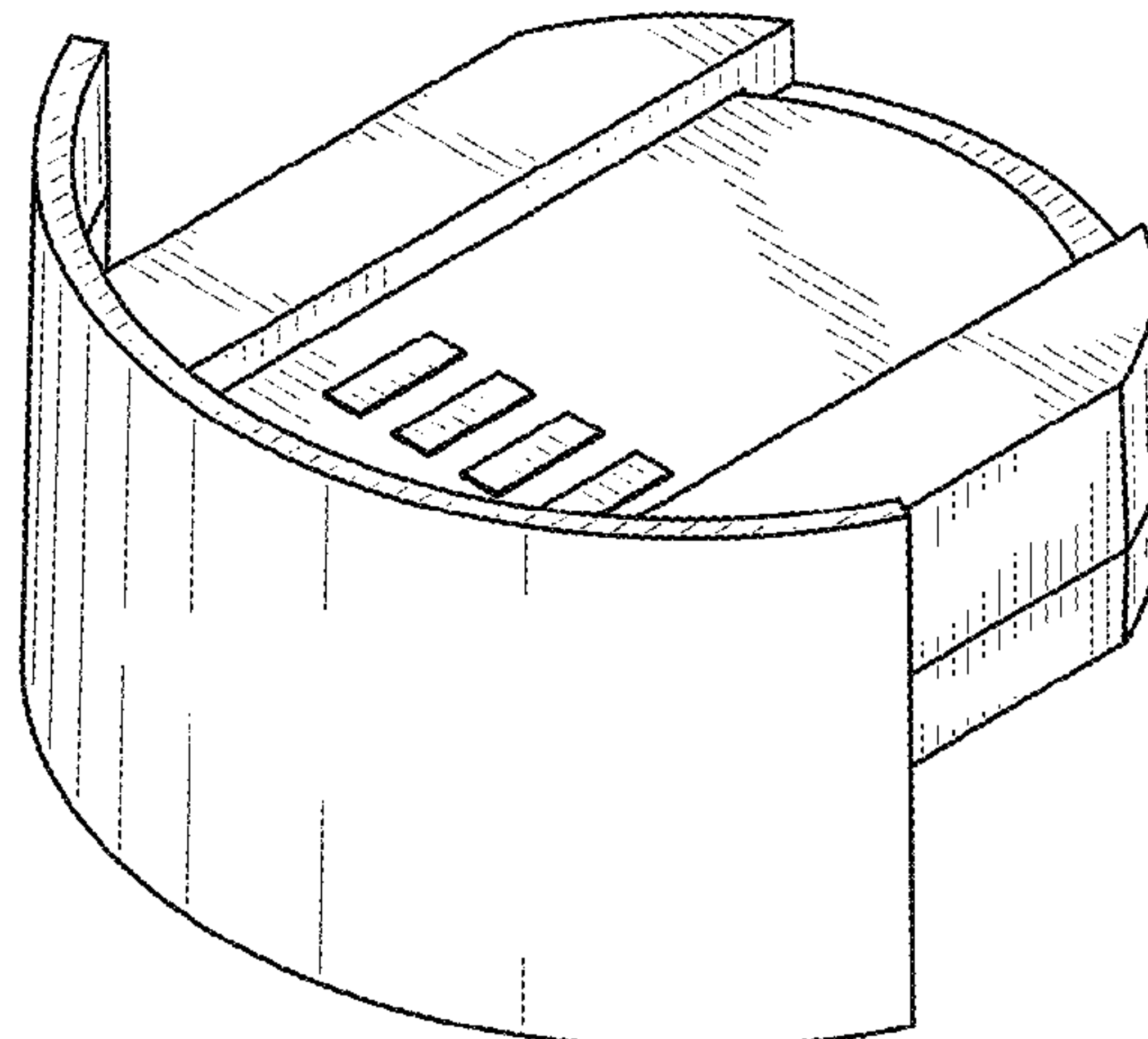
FIG. 2 is a front elevational view of the battery pack of FIG.
1;

FIG. 3 is a rear elevational view of the battery pack of FIG. 1.

FIG. 4 is a right side elevational view of the battery pack of
FIG. 1; the left side elevational view is a mirror image of FIG.
4;

FIG. 5 is a top plan view of the battery pack of FIG. 1; and,
FIG. 6 is a bottom plan view of the battery pack of FIG. 1.

1 Claim, 2 Drawing Sheets



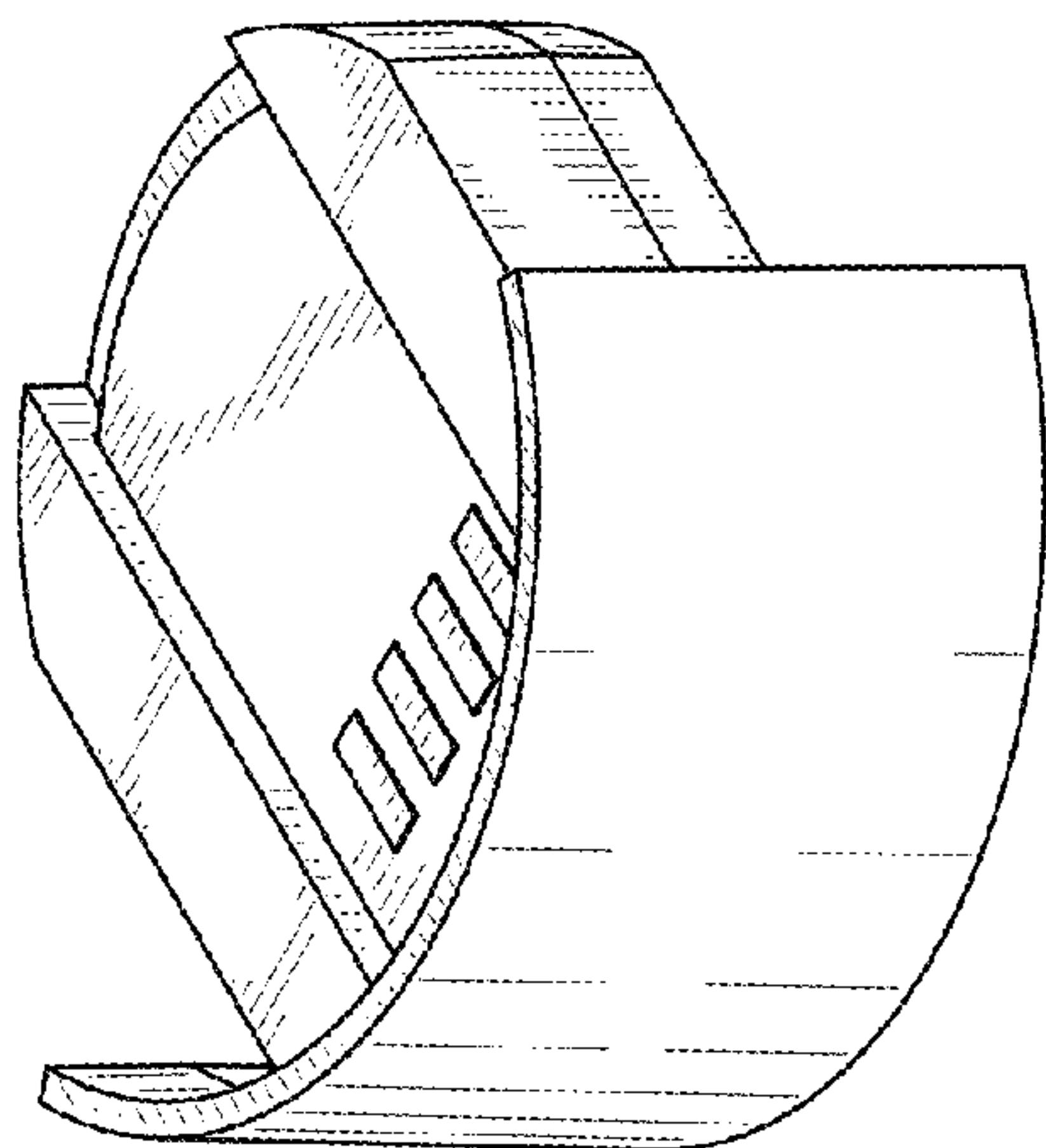


FIG. 1

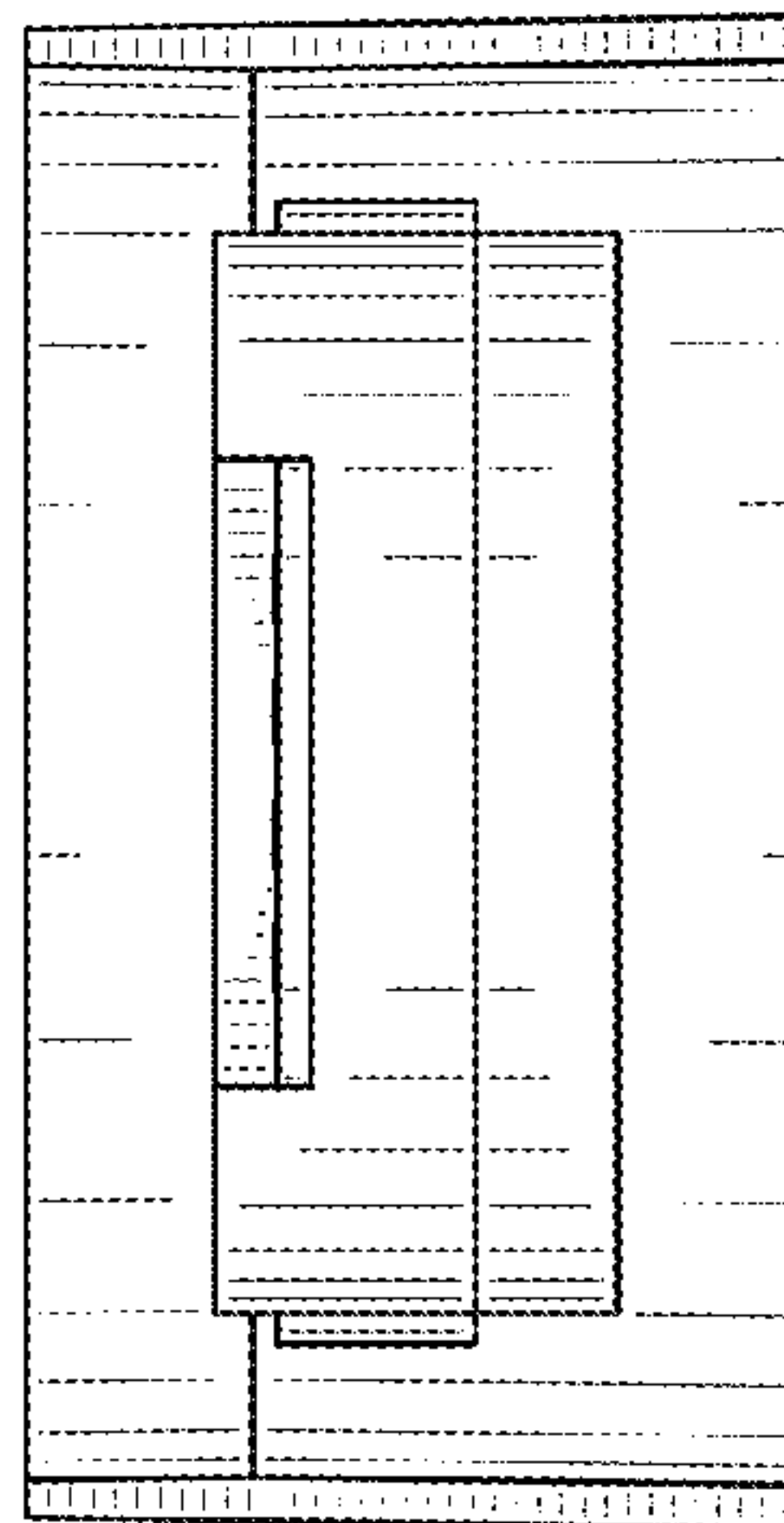


FIG. 3

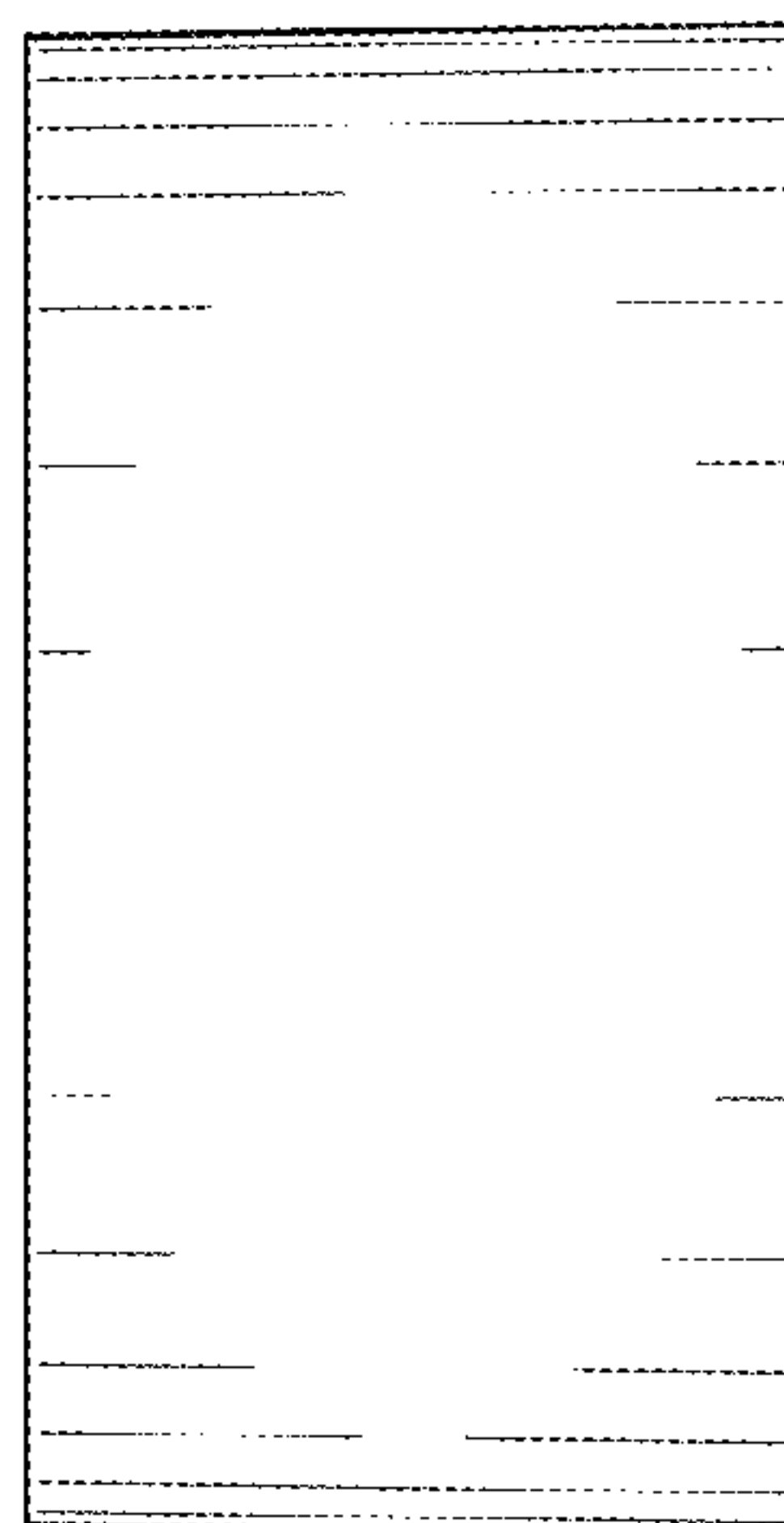


FIG. 2

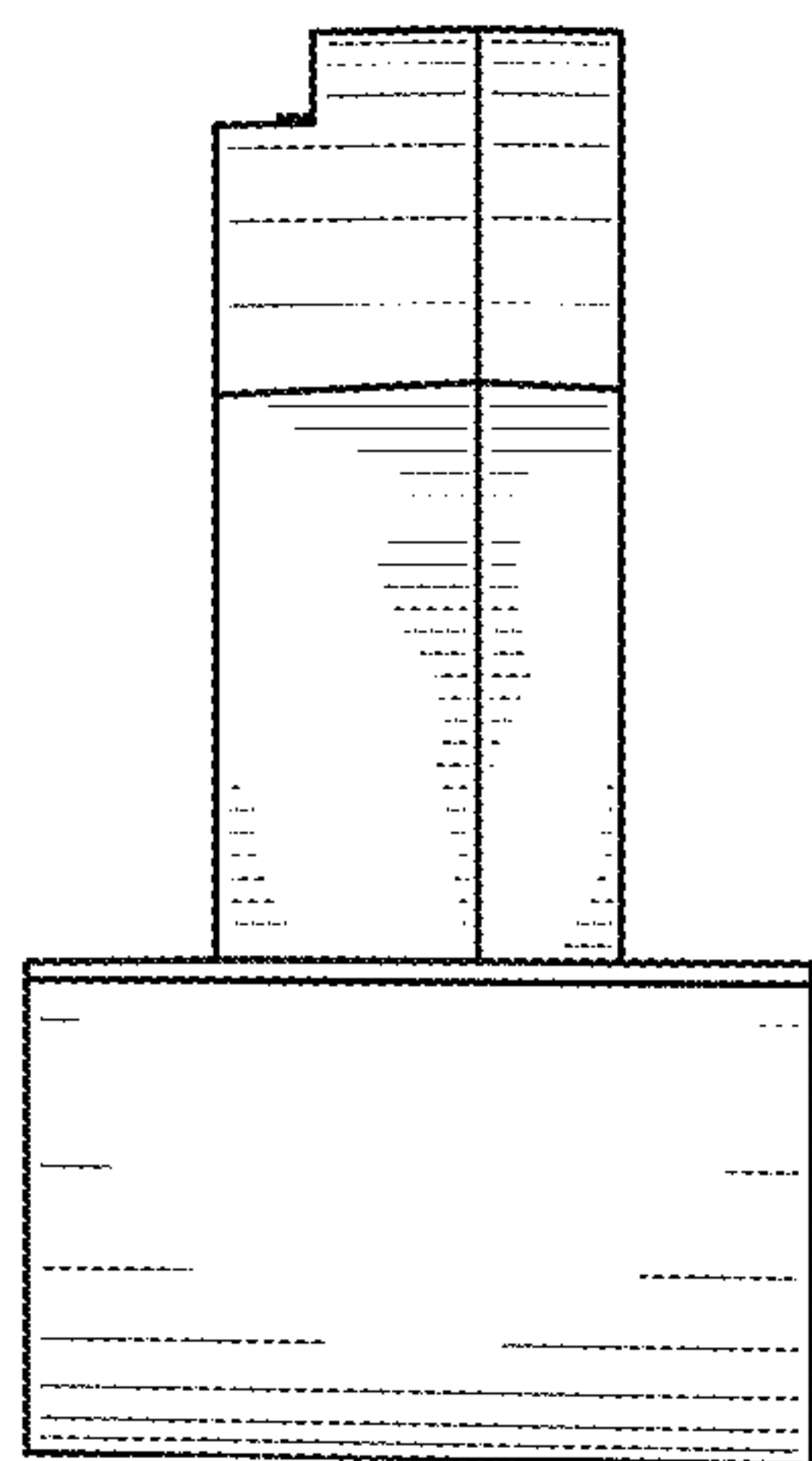


FIG. 4

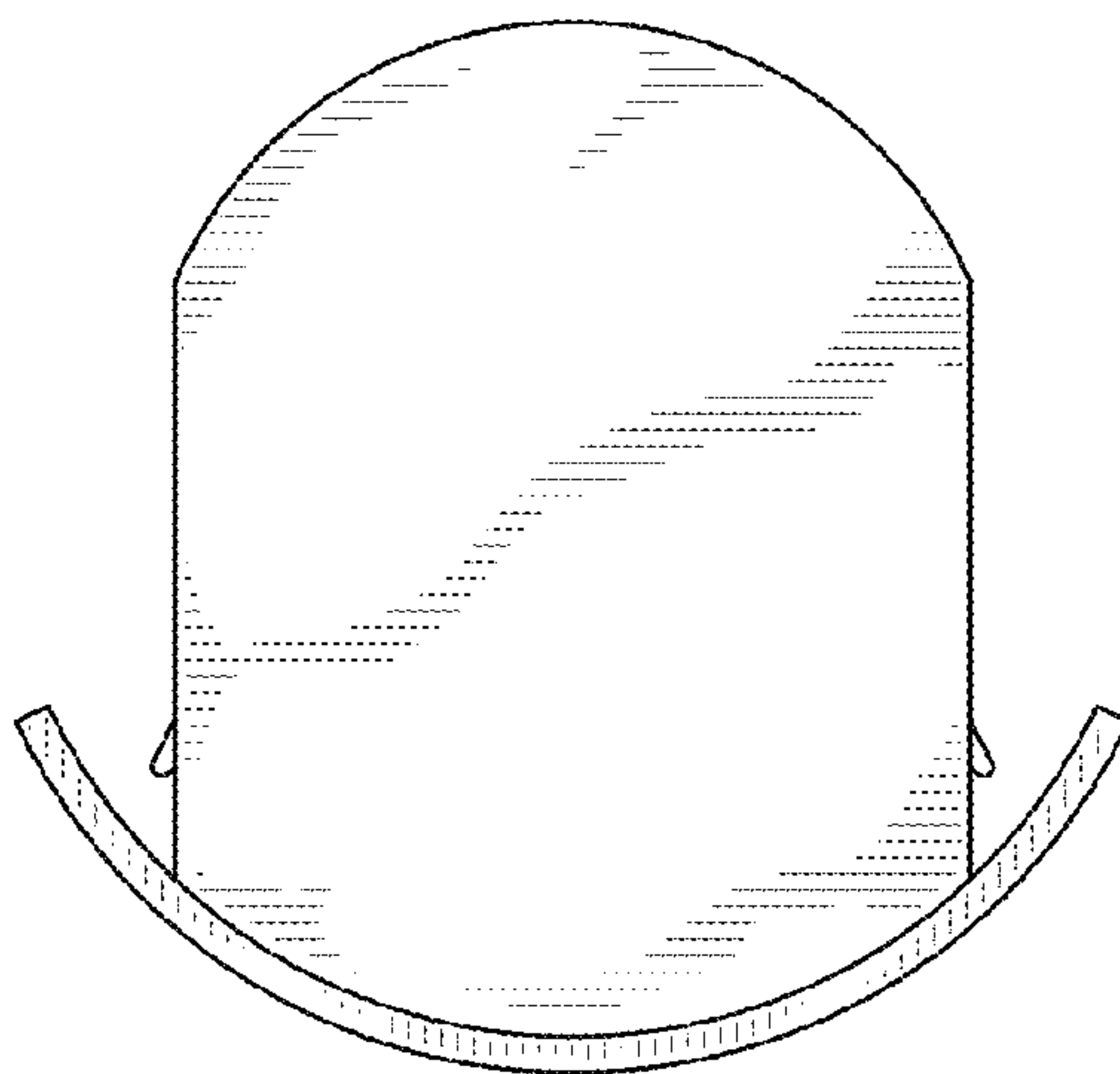


FIG. 6

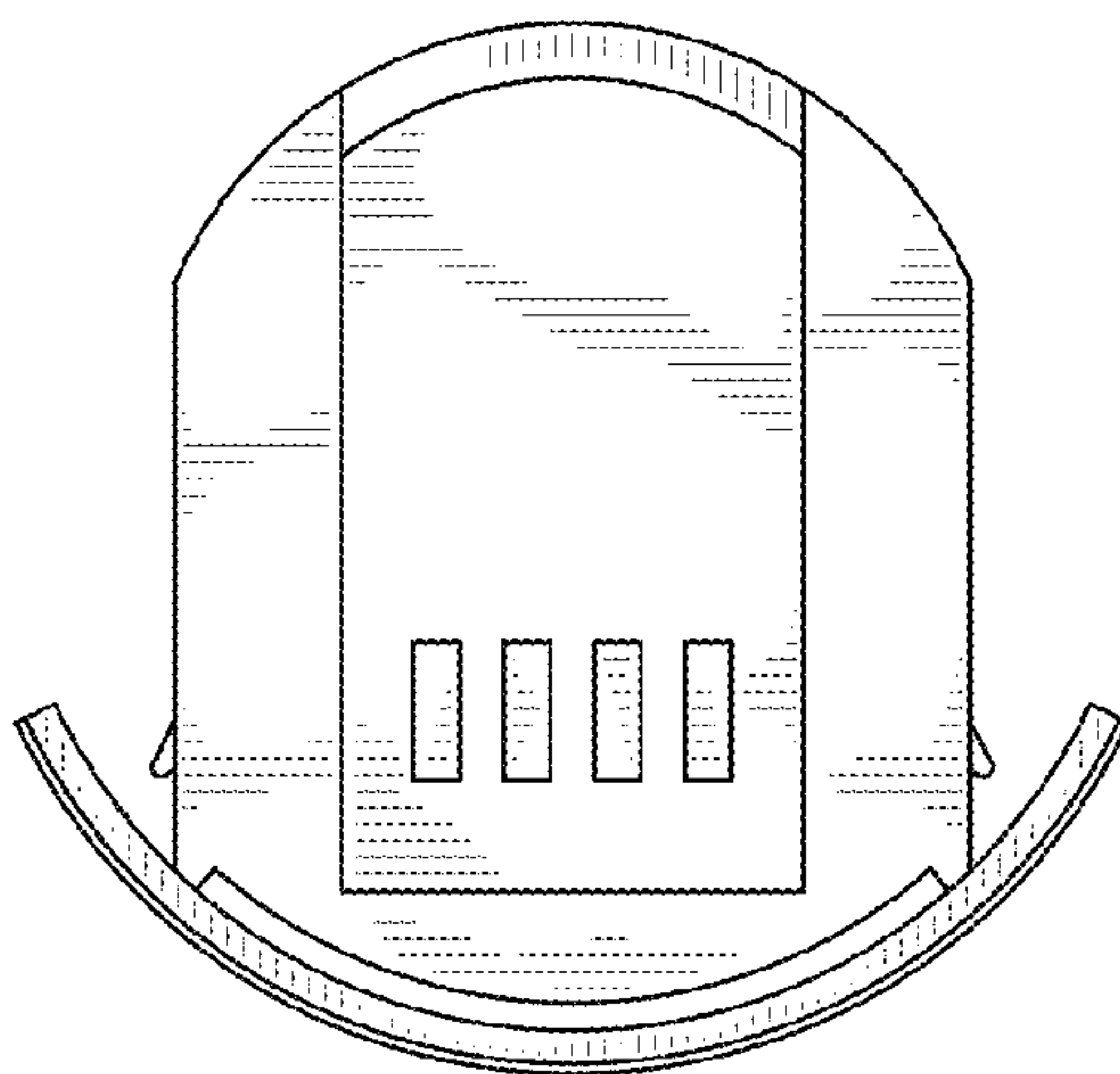


FIG. 5