



US00D742816S

(12) **United States Design Patent**
Anker

(10) **Patent No.:** **US D742,816 S**

(45) **Date of Patent:** **** Nov. 10, 2015**

(54) **SOLAR CHARGER**

(71) Applicant: **Duggal Energy Solutions, LLC**, New York, NY (US)

(72) Inventor: **Nina Edwards Anker**, New York, NY (US)

(73) Assignee: **Duggal Energy Solutions, LLC**, New York, NY (US)

(**) Term: **14 Years**

(21) Appl. No.: **29/506,508**

(22) Filed: **Oct. 16, 2014**

(51) **LOC (10) Cl.** **13-02**

(52) **U.S. Cl.**
USPC **D13/102**

(58) **Field of Classification Search**
USPC D26/37-50, 73, 91, 125; D13/102, 103, D13/107, 108, 110, 184, 199; 126/580, 581, 126/611, 621, 622, 623; 136/200, 243, 244, 136/245, 251, 256, 291; 438/66, 72, 80; D11/131; D21/479; D14/253, 435.1
CPC Y02E 10/50; Y02E 10/544; H01L 31/042; Y02T 10/90
See application file for complete search history.

(56) **References Cited**

U.S. PATENT DOCUMENTS

2,425,729	A *	8/1947	De Sherbinin	446/125
2,572,454	A *	10/1951	Down et al.	40/506
D217,197	S *	4/1970	Phillips	D6/449
D236,651	S *	9/1975	Park	D26/104
4,317,654	A *	3/1982	Wahl	434/211
D286,707	S *	11/1986	Summers	D6/301
D292,027	S *	9/1987	LaRoye	D26/104
D309,954	S *	8/1990	Chien	D26/67
5,046,988	A *	9/1991	Bennett	446/487
D329,301	S *	9/1992	Leonard	D26/104

5,169,352	A *	12/1992	Petersen	446/85
D369,630	S *	5/1996	Balanchi	D21/479
D424,729	S *	5/2000	Sonnenfeldt	D26/67
D430,565	S *	9/2000	Crane et al.	D14/308
6,386,936	B1 *	5/2002	Gebara	446/117
D463,057	S *	9/2002	Chang	D26/71
D465,593	S *	11/2002	Chang	D26/72
D500,157	S *	12/2004	Chen	D26/67
D553,783	S *	10/2007	Loftus et al.	D26/85
D633,239	S *	2/2011	Chen	D26/41
D633,437	S *	3/2011	Chilton et al.	D13/108
D667,370	S *	9/2012	Arletti et al.	D13/102
D678,573	S *	3/2013	Lane	D26/60
D687,773	S *	8/2013	Huang et al.	D13/108
D693,515	S *	11/2013	Muller	D26/93
D702,632	S *	4/2014	Salmon	D13/108
D724,011	S *	3/2015	Keller	D13/102
D728,836	S *	5/2015	Metlen et al.	D26/41

* cited by examiner

Primary Examiner — Derrick Holland

Assistant Examiner — Jennifer O King

(74) *Attorney, Agent, or Firm* — Fross Zelnick Lehrman & Zissu, P.C.; Charles T. J. Weigell

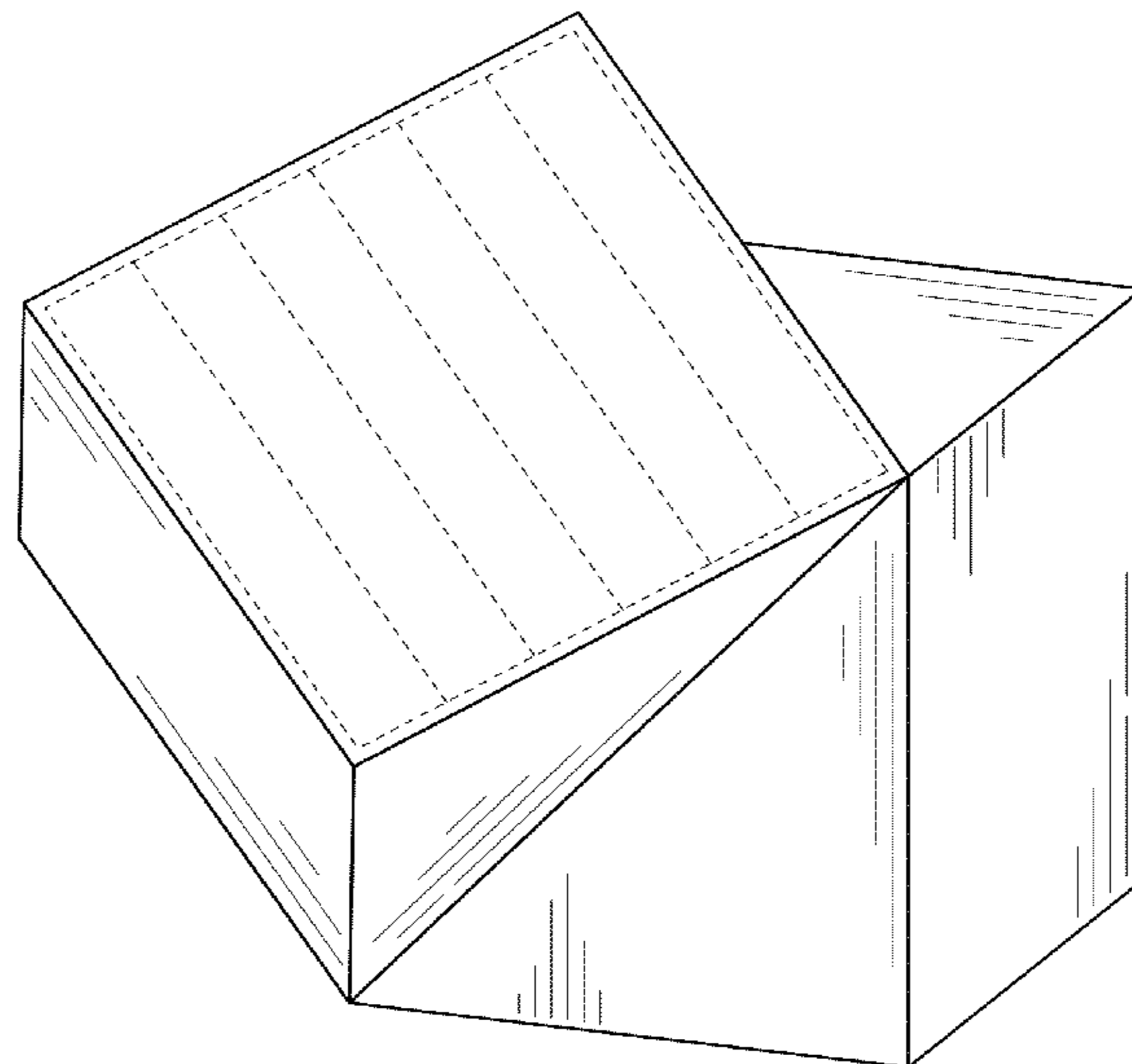
(57) **CLAIM**

The ornamental design for a solar charger, as shown and described.

DESCRIPTION

FIG. 1 is a perspective view of a solar charger showing my new design;
FIG. 2 is a front view thereof;
FIG. 3 is a rear view thereof;
FIG. 4 is a left side view thereof;
FIG. 5 is a right side view thereof;
FIG. 6 is a top view thereof;
FIG. 7 is a bottom view thereof; and,
FIG. 8 is a bottom perspective view thereof.
The broken lines shown represent unclaimed subject matter and form no part of the claimed design.

1 Claim, 5 Drawing Sheets



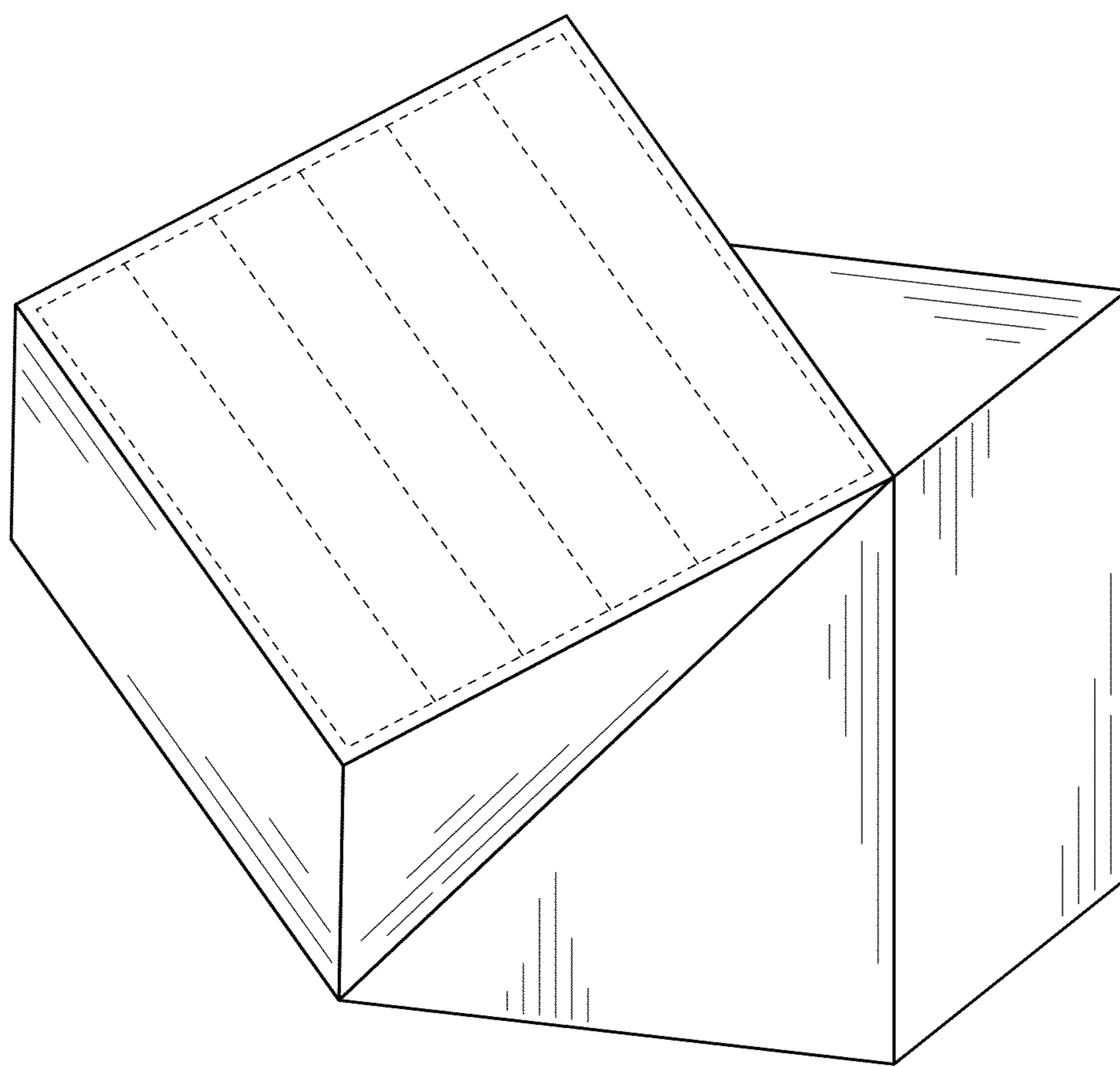


FIG. 1

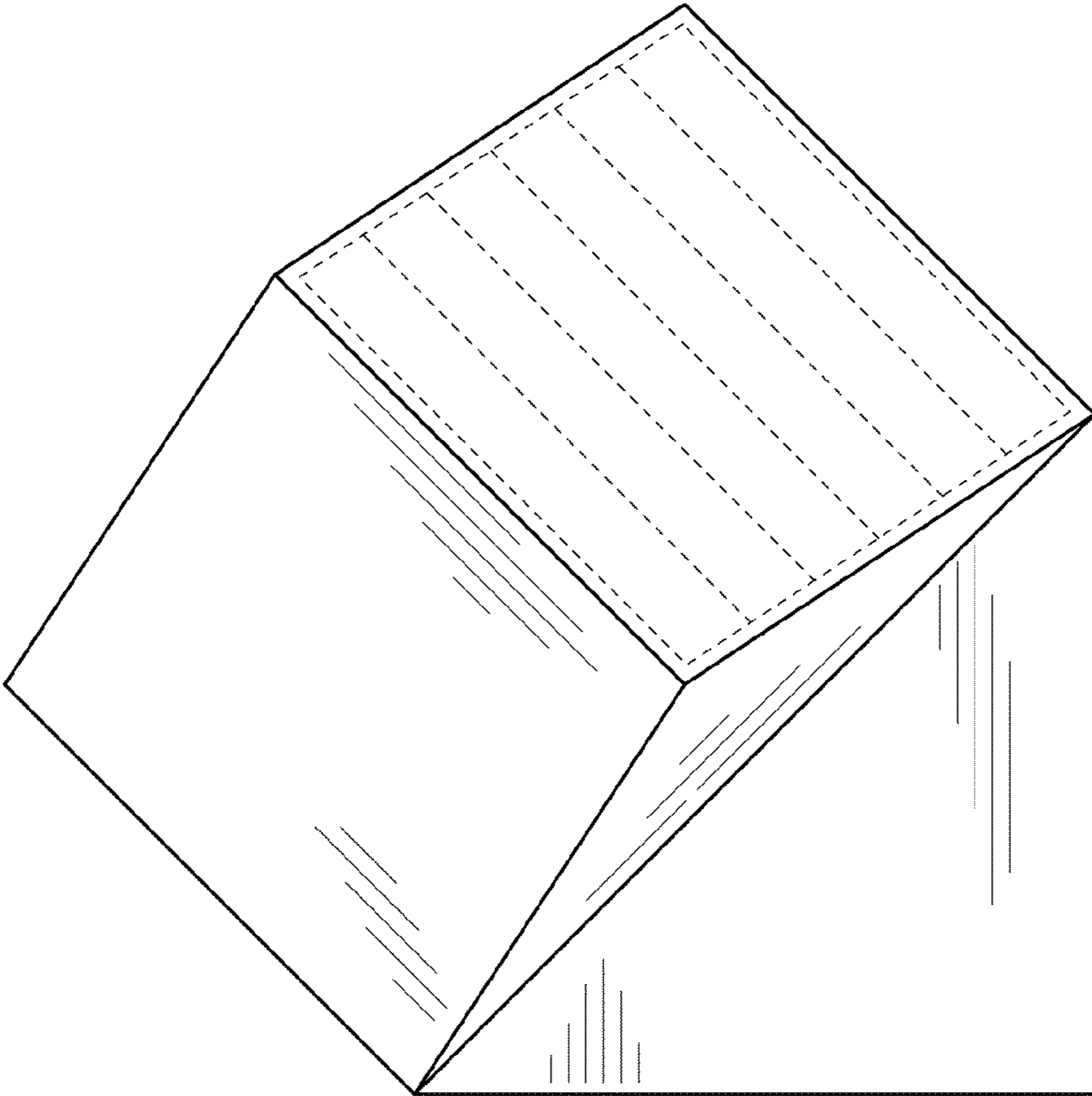


FIG. 2

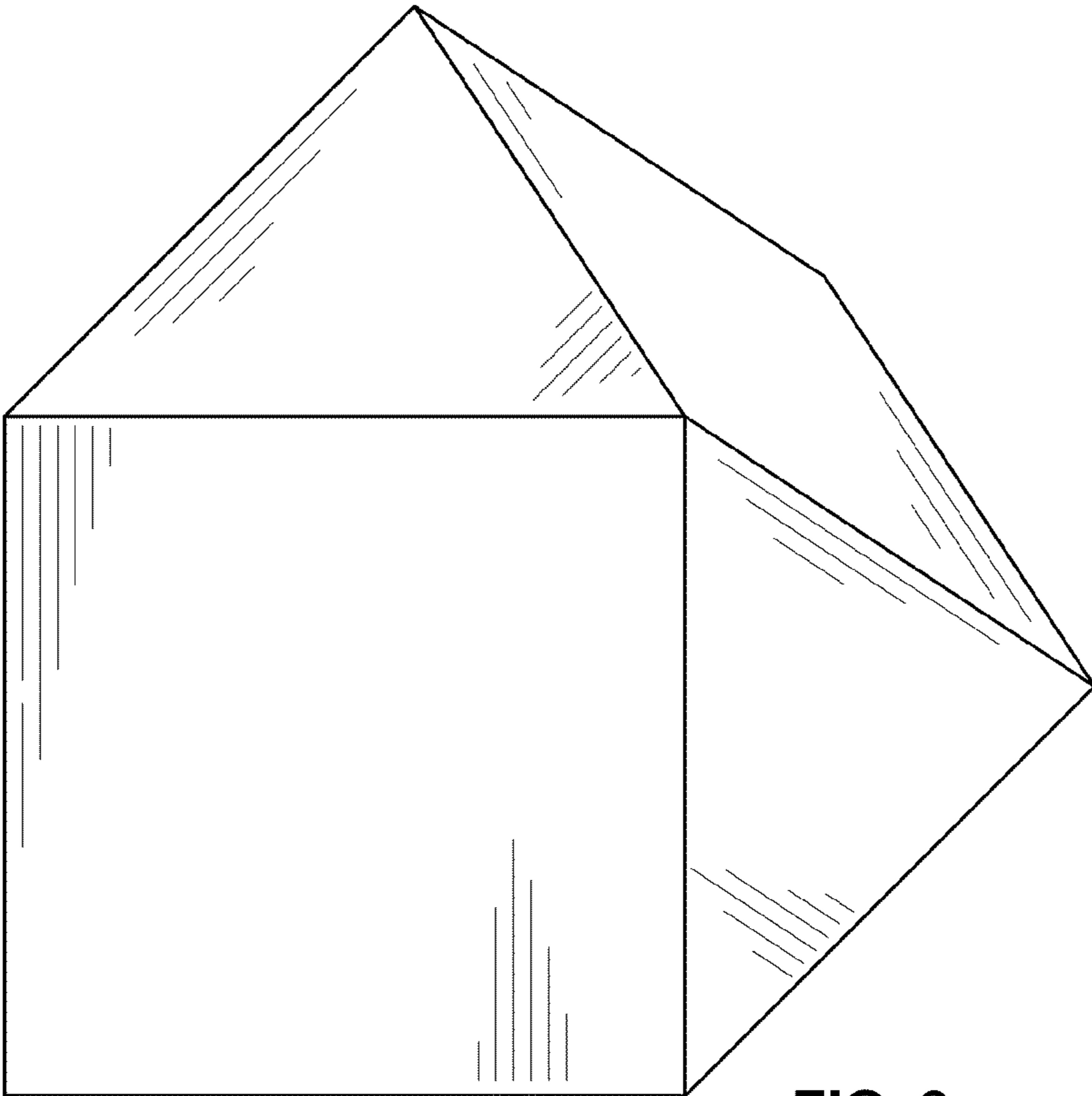


FIG. 3

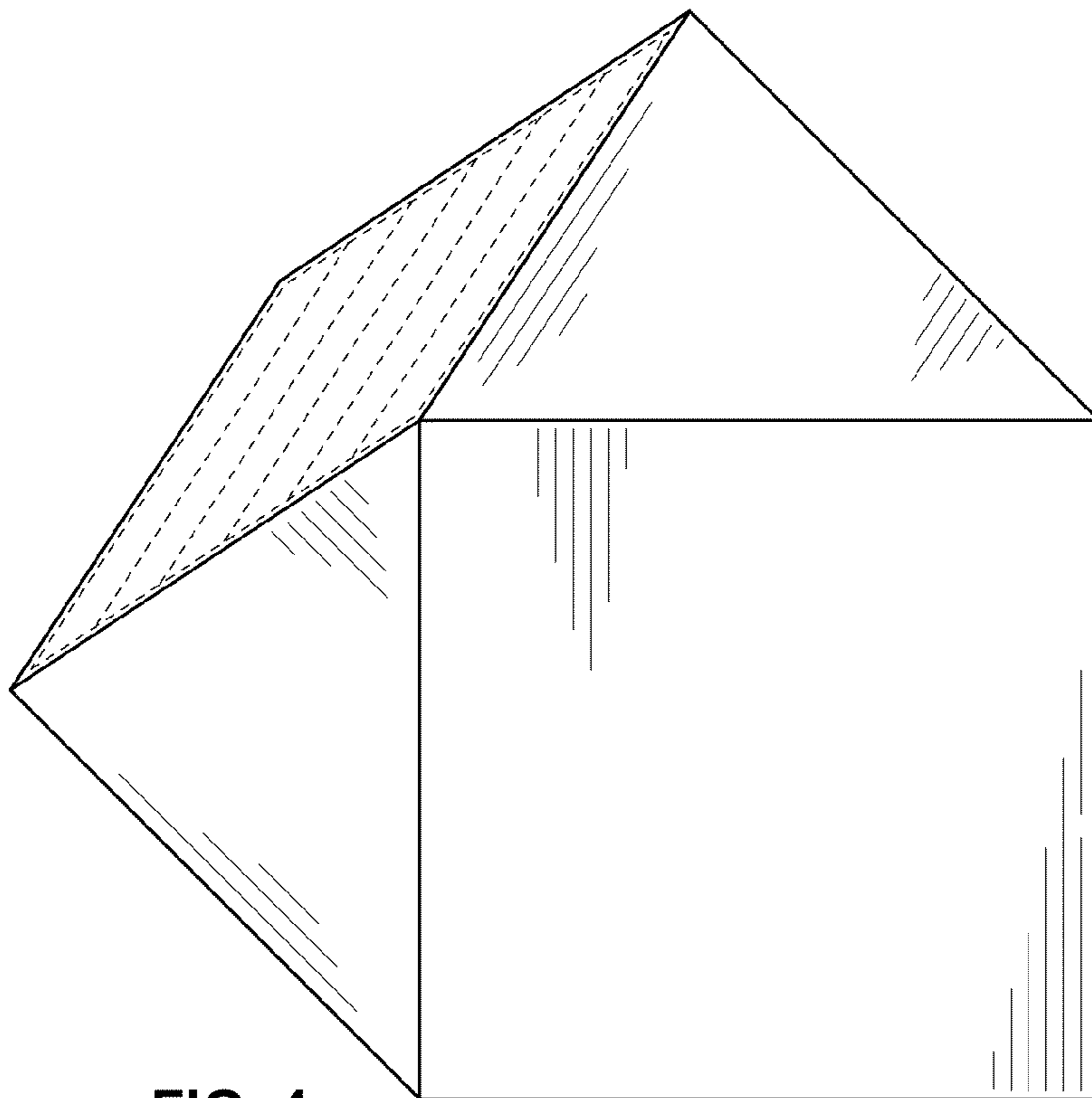


FIG. 4

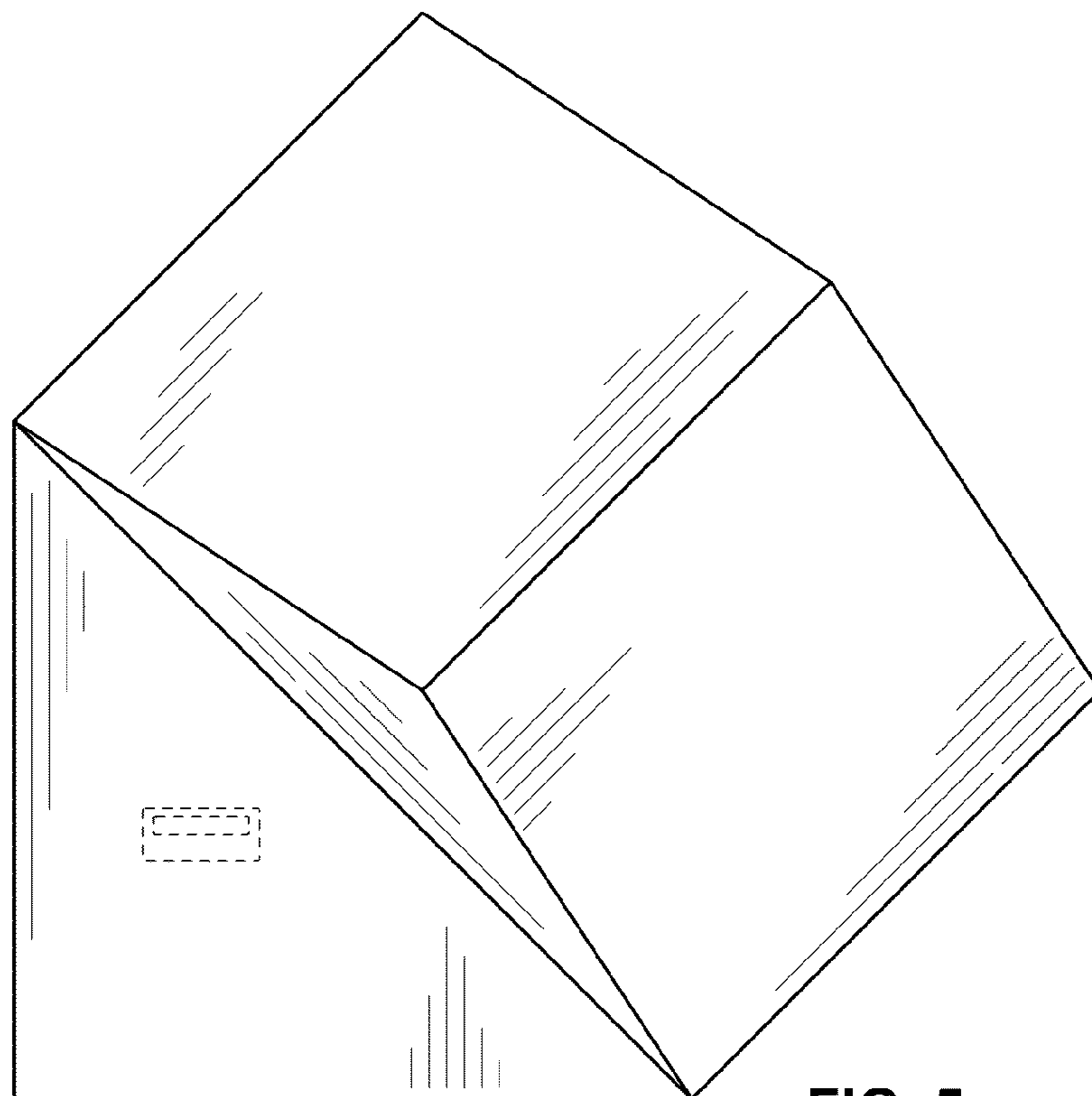


FIG. 5

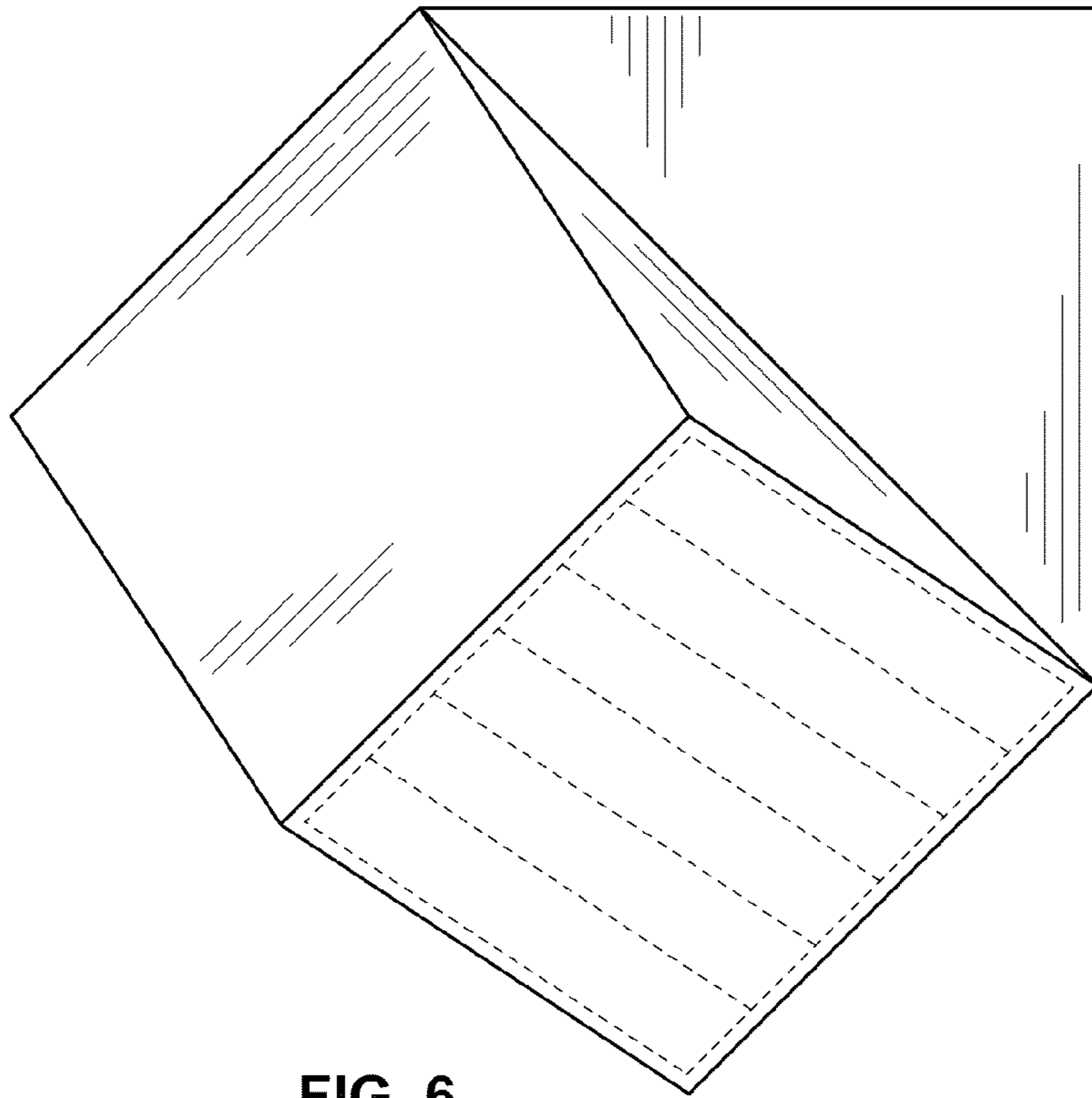


FIG. 6

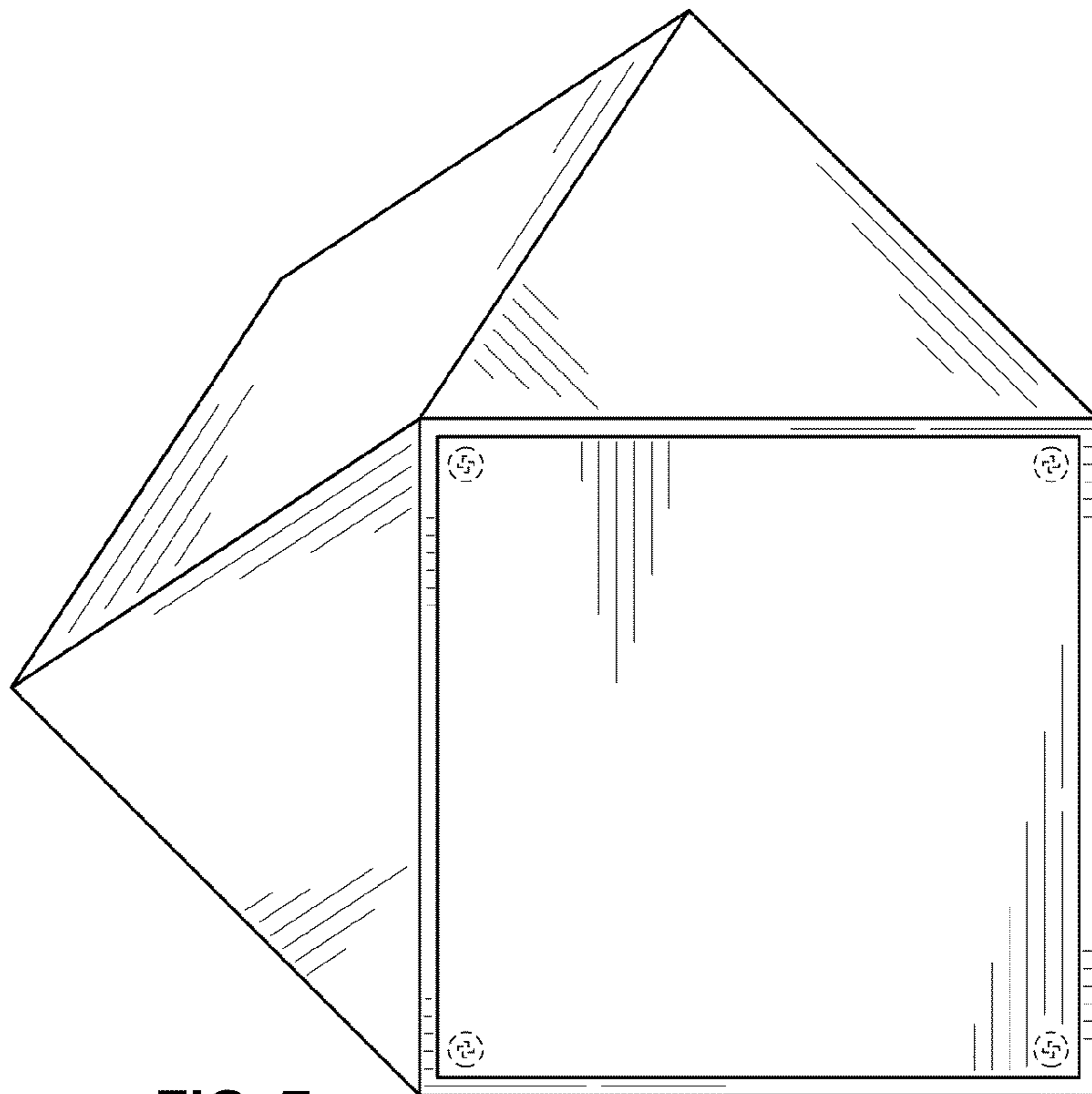


FIG. 7

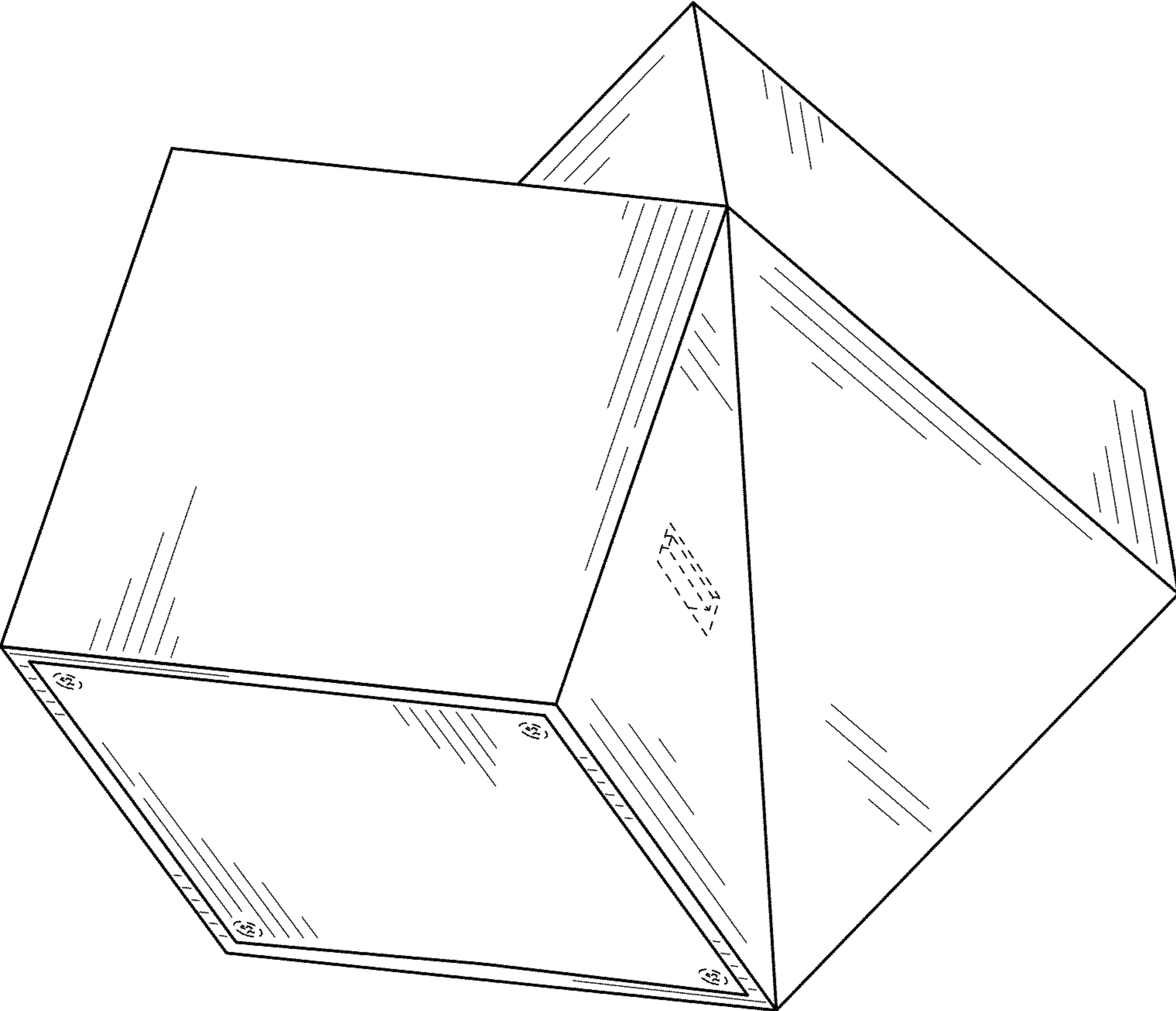


FIG. 8