



US00D742815S

(12) **United States Design Patent**
Shaw

(10) **Patent No.:** **US D742,815 S**

(45) **Date of Patent:** **** Nov. 10, 2015**

(54) **SOLAR POWERED CAMPING TRAILER**

(71) Applicant: **Christopher Shaw**, Readfield, ME (US)

(72) Inventor: **Christopher Shaw**, Readfield, ME (US)

(**) Term: **14 Years**

(21) Appl. No.: **29/506,269**

(22) Filed: **Oct. 14, 2014**

(51) **LOC (10) Cl.** **13-02**

(52) **U.S. Cl.**

USPC **D13/102**; D12/103

(58) **Field of Classification Search**

USPC 126/580, 581, 611, 621, 622, 623;
136/200, 243, 244, 245, 251, 256, 291;
438/66, 72, 80; D13/101, 102, 107,
D13/184, 199; D12/1, 100, 103, 163;
180/2.2

CPC Y02E 10/50; Y02E 10/544; H02S 30/20;
H01L 31/042; B60K 16/00; B60K 2016/003;
Y02T 10/90; Y02T 10/1077

See application file for complete search history.

(56) **References Cited**

U.S. PATENT DOCUMENTS

D102,598 S * 12/1936 Wise D12/103
D242,851 S * 12/1976 Sakow D12/103
RE31,156 E * 2/1983 Dessert 180/2.2
D340,681 S * 10/1993 Alpiser et al. D12/101

5,969,501 A * 10/1999 Glidden et al. 320/101
7,201,431 B1 * 4/2007 Calandruccio 296/173
D542,185 S * 5/2007 Remington D12/103
D584,223 S * 1/2009 Cooper D13/102
D625,667 S * 10/2010 Oviedo D12/102
8,701,800 B2 * 4/2014 Hui et al. 180/2.2
2009/0165841 A1 * 7/2009 Gunn et al. 136/245
2012/0042936 A1 * 2/2012 Feichtinger et al. 136/252
2012/0043143 A1 * 2/2012 Hui et al. 180/2.2
2012/0291691 A1 * 11/2012 Lee 114/349
2012/0291847 A1 * 11/2012 Rowe et al. 136/245

* cited by examiner

Primary Examiner — Derrick Holland

Assistant Examiner — Jennifer O King

(74) *Attorney, Agent, or Firm* — Dale J. Ream

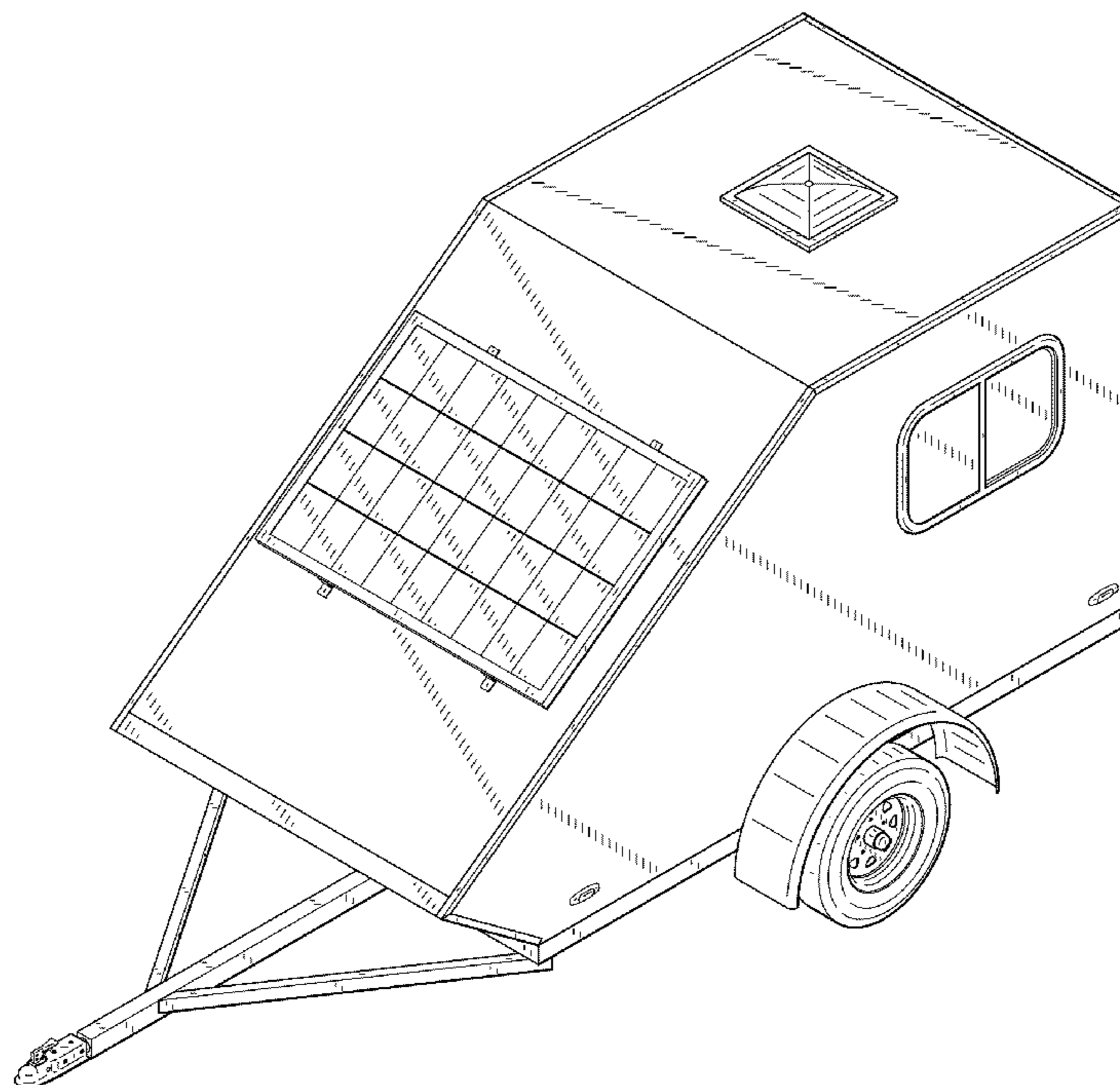
(57) **CLAIM**

The ornamental design for a solar powered camping trailer, as shown and described.

DESCRIPTION

FIG. 1 is a perspective view of a solar powered camping trailer showing my new design;
FIG. 2 is a front view thereof;
FIG. 3 is a back view thereof;
FIG. 4 is a left side view thereof;
FIG. 5 is a right side view thereof;
FIG. 6 is a top view thereof; and,
FIG. 7 is a bottom view thereof.

1 Claim, 6 Drawing Sheets



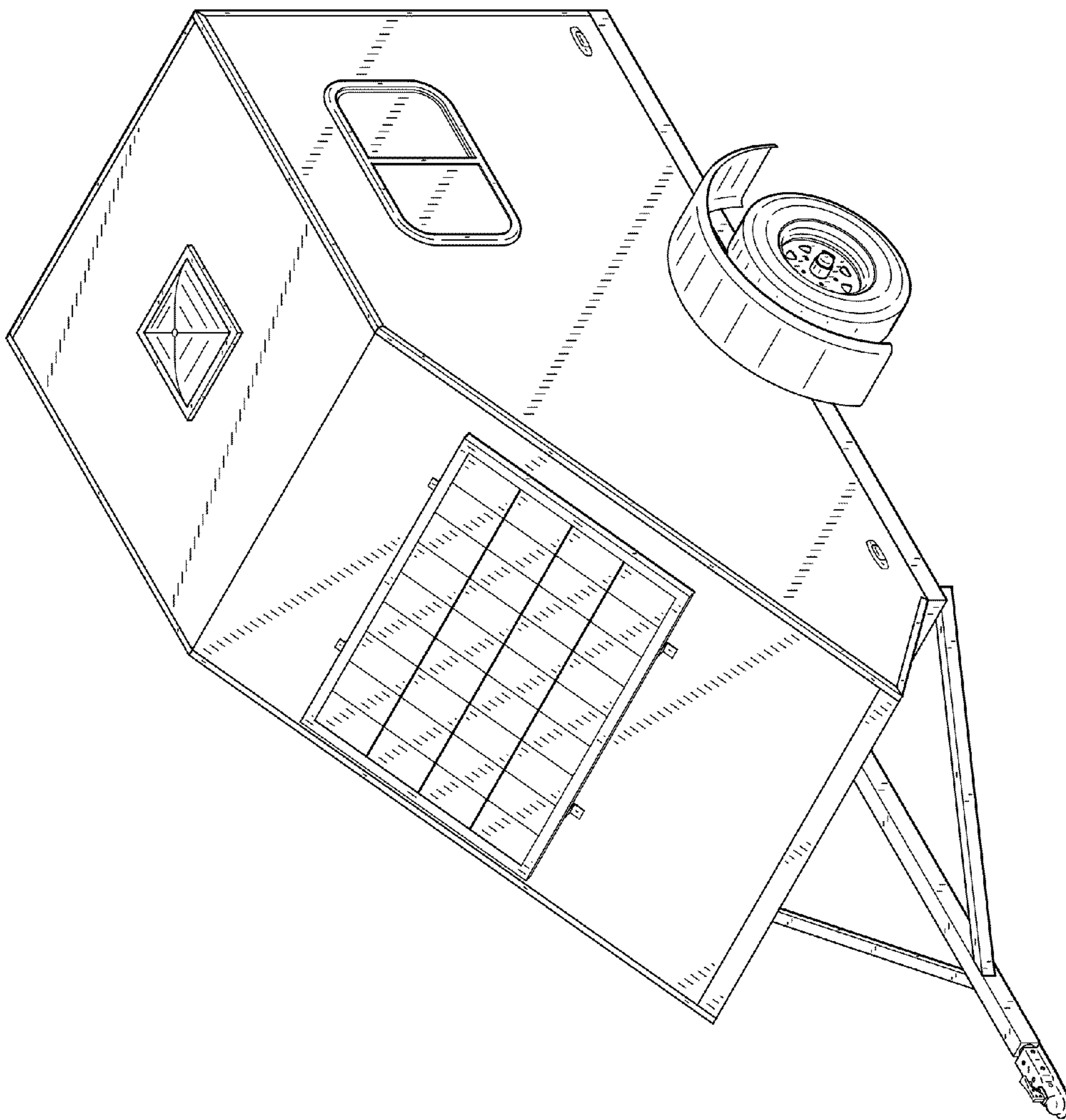


FIG. 1

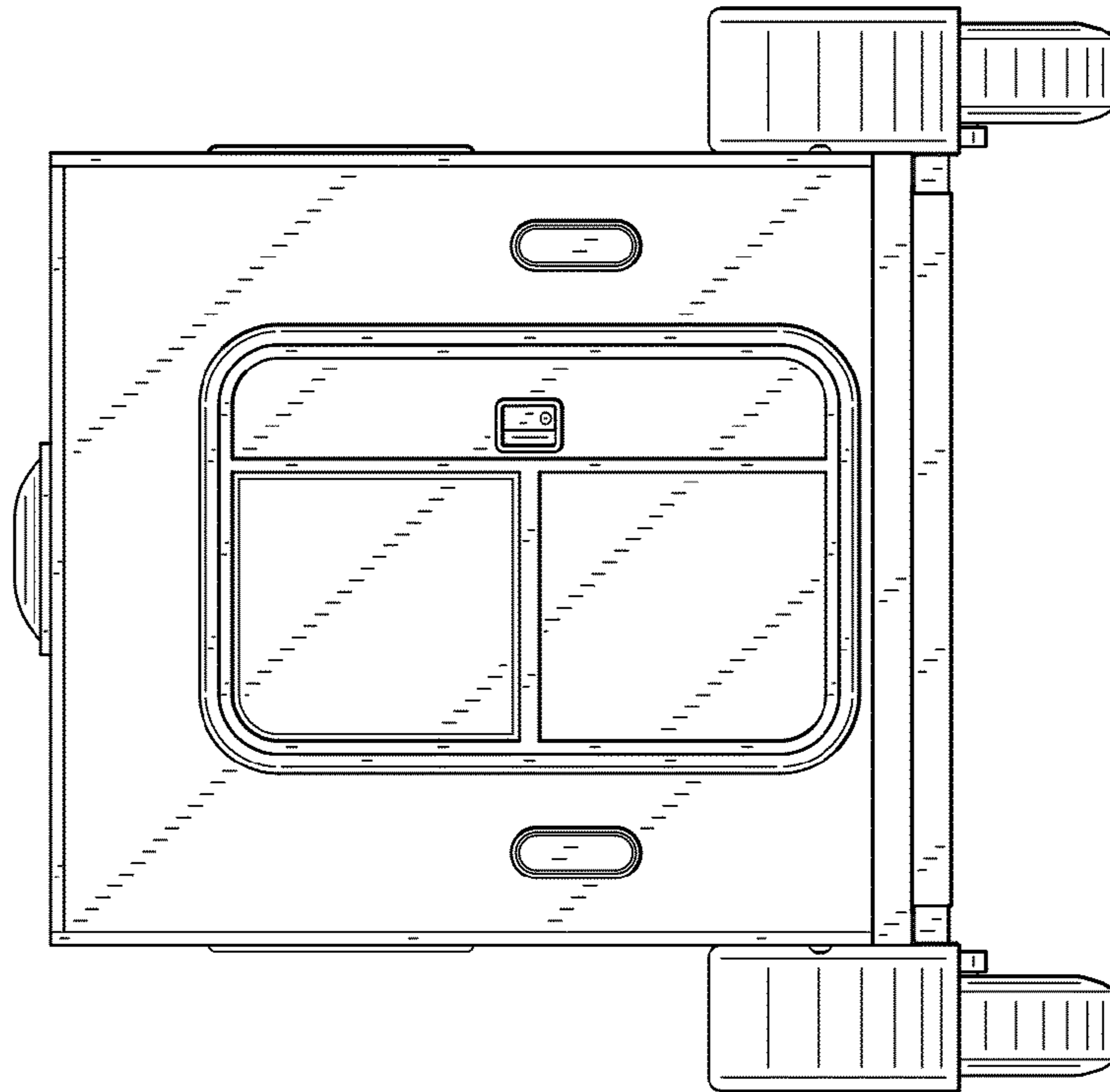


FIG. 3

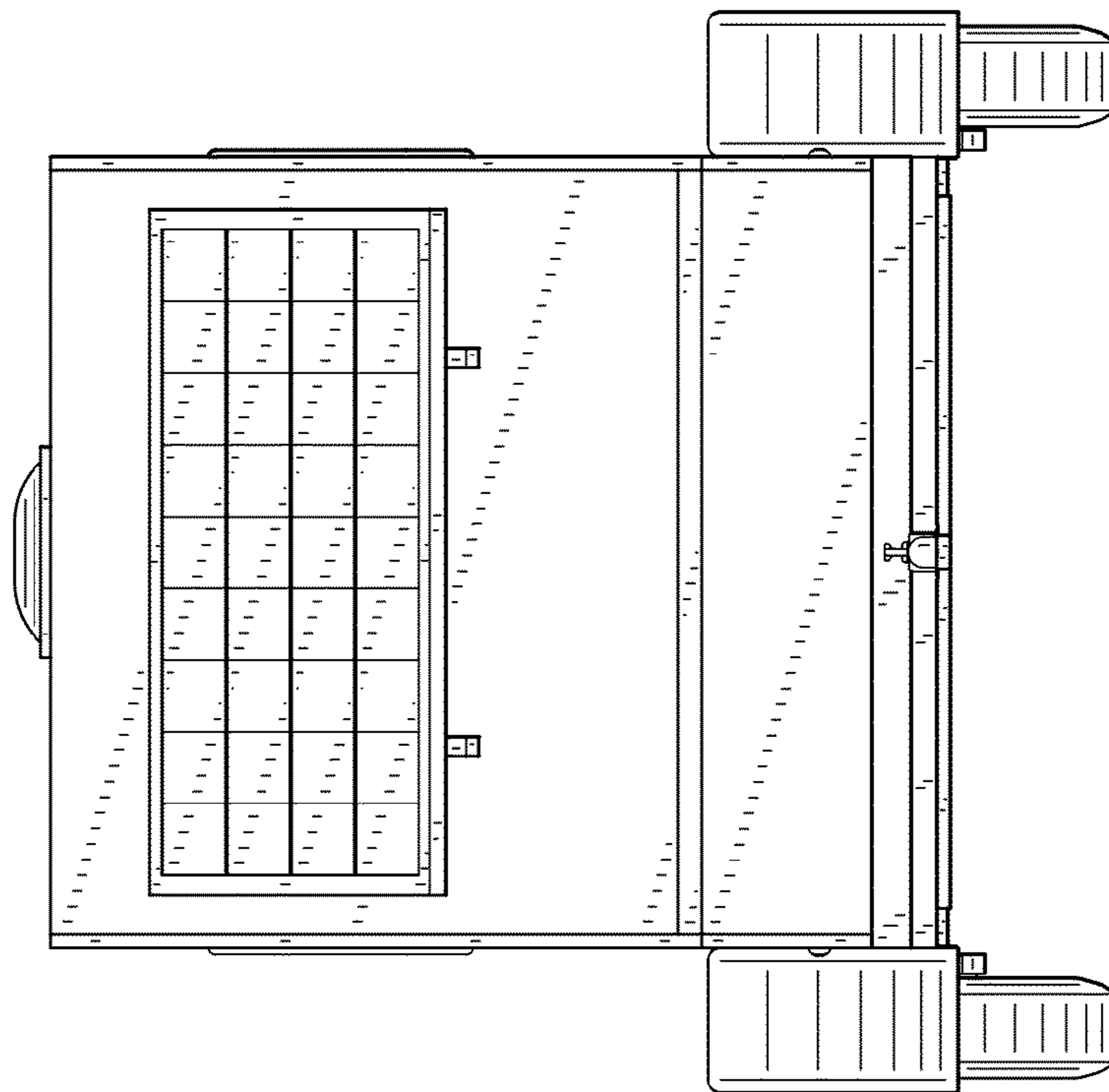


FIG. 2

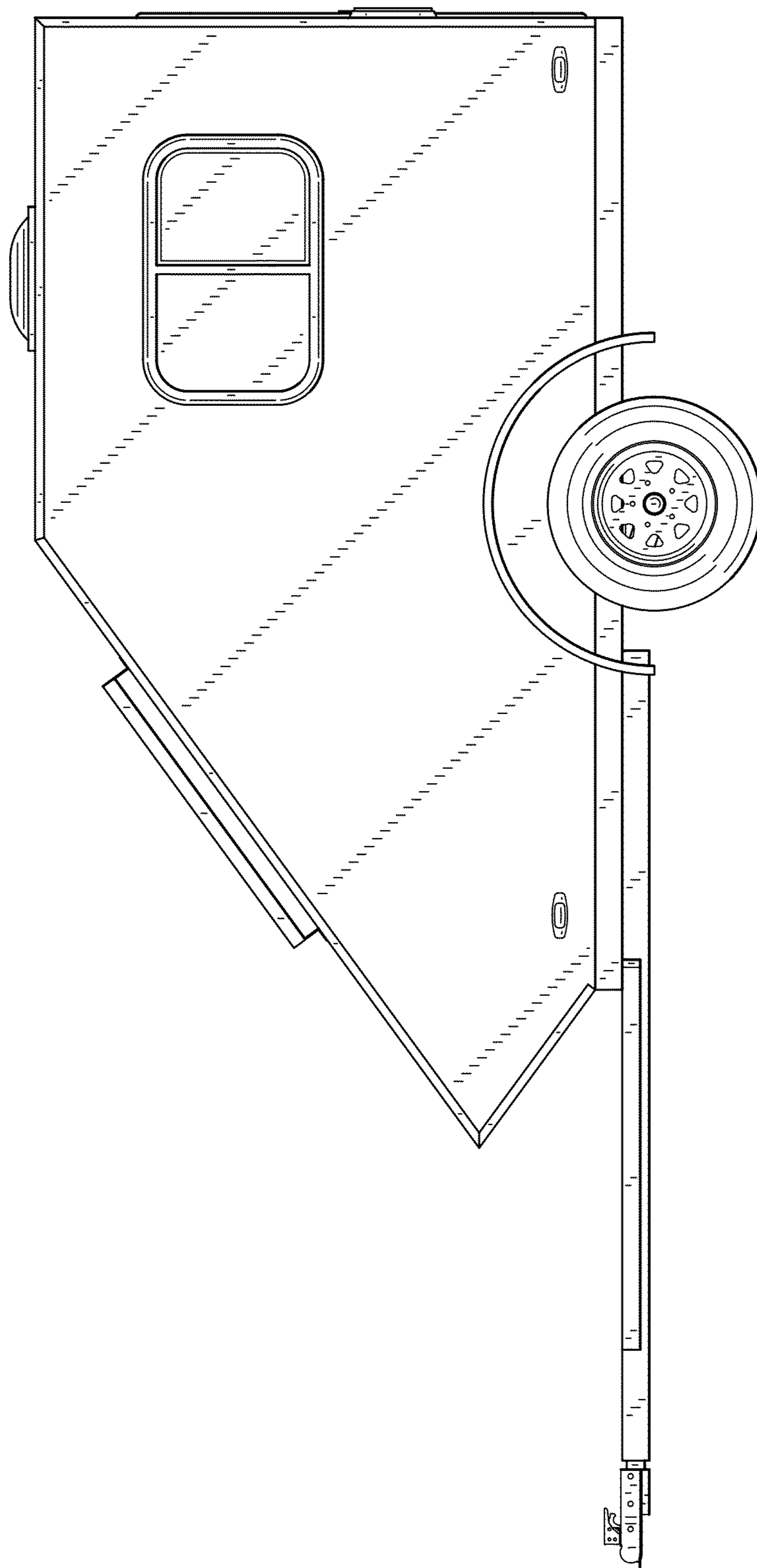


FIG. 4

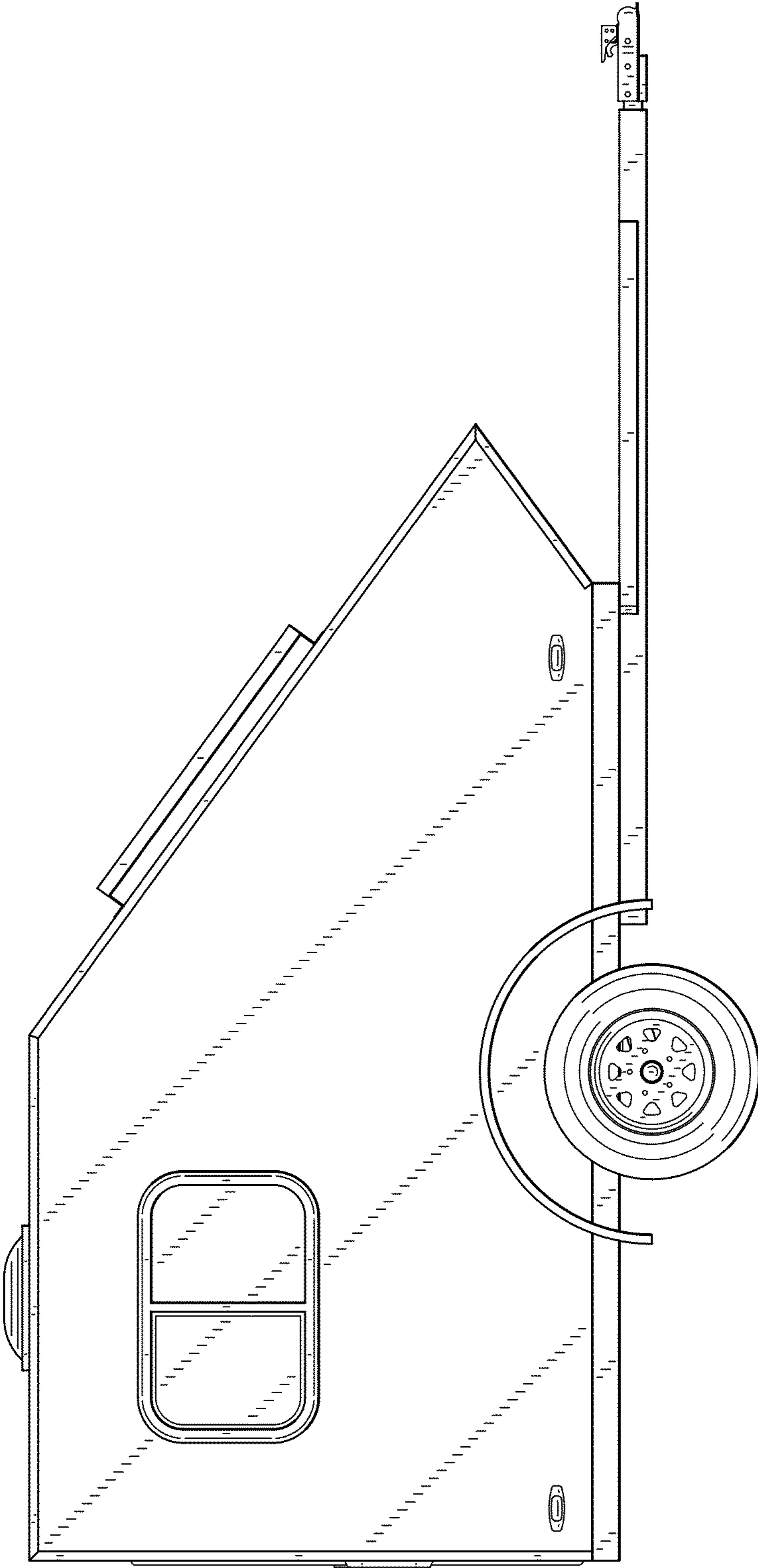


FIG. 5

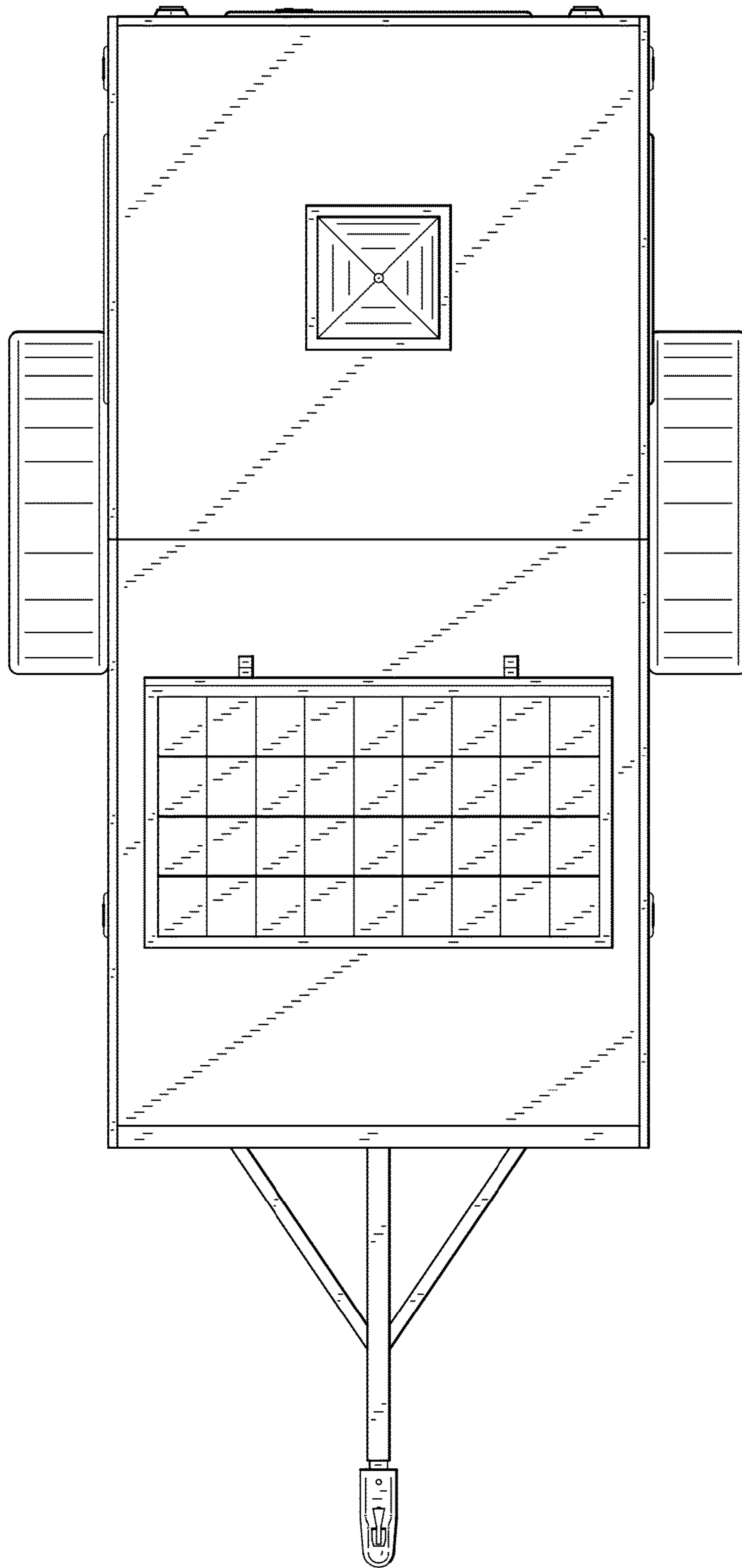


FIG. 6

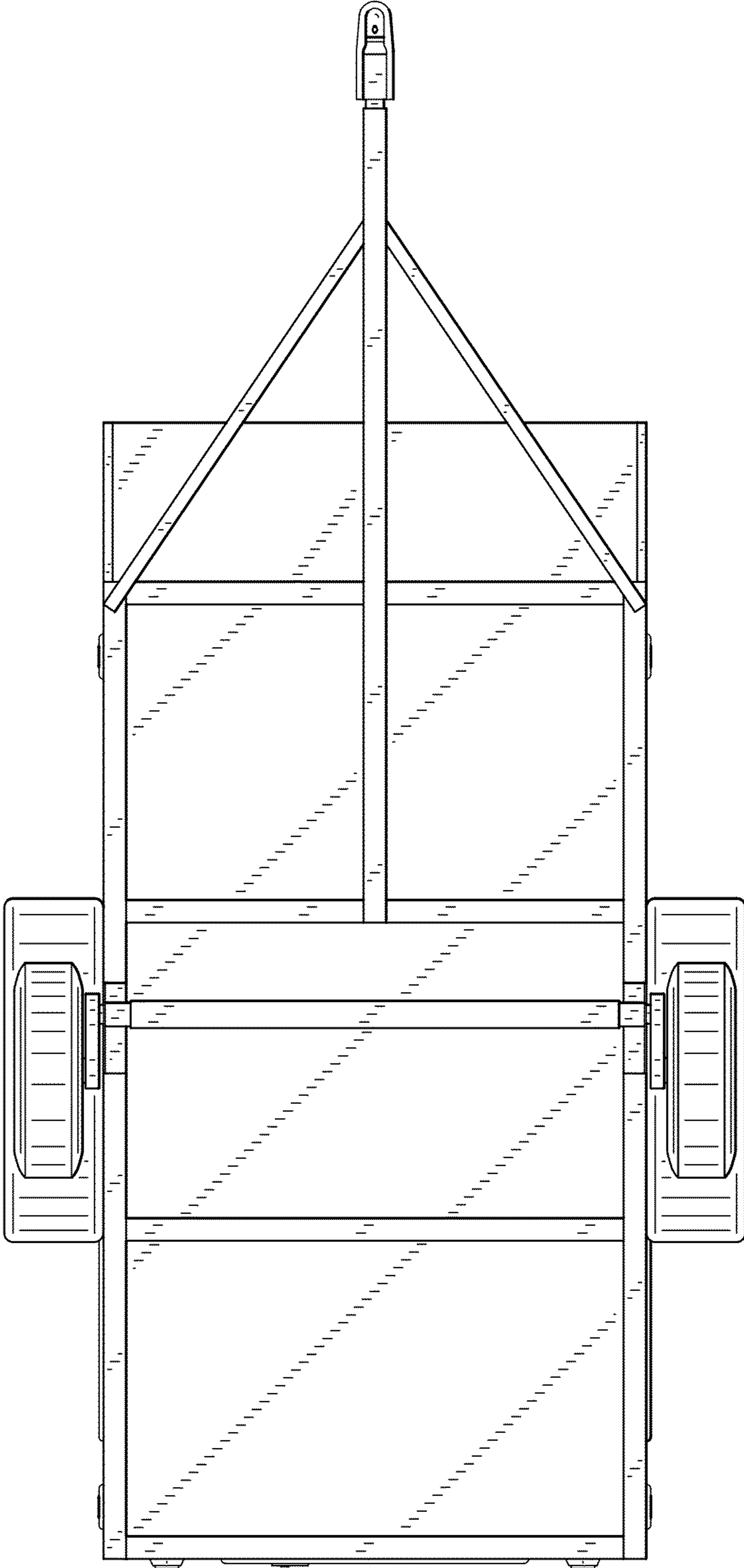


FIG. 7