

US00D742811S

(12) **United States Design Patent**
Fujioka

(10) **Patent No.:** **US D742,811 S**

(45) **Date of Patent:** **** Nov. 10, 2015**

(54) **TIRE**

(71) Applicant: **Toyo Tire & Rubber Co., Ltd., Osaka (JP)**

(72) Inventor: **Tsuyoshi Fujioka, Osaka (JP)**

(73) Assignee: **Toyo Tire & Rubber Co., Ltd., Osaka (JP)**

(**) Term: **14 Years**

(21) Appl. No.: **29/483,912**

(22) Filed: **Mar. 4, 2014**

(30) **Foreign Application Priority Data**

Sep. 5, 2013 (JP) 2013-020547

(51) **LOC (10) Cl.** **12-15**

(52) **U.S. Cl.**
USPC **D12/600**

(58) **Field of Classification Search**

USPC D12/568-603; 152/209.1-209.9
CPC B60C 1/00; B60C 11/00; B60C 11/03
See application file for complete search history.

(56) **References Cited**

U.S. PATENT DOCUMENTS

D403,631 S * 1/1999 Blankenship et al. D12/603
D430,081 S * 8/2000 Blankenship et al. D12/603

D454,330 S 3/2002 Galante et al.
D643,802 S * 8/2011 Sareen D12/583
D644,984 S * 9/2011 Fujioka D12/583
D683,694 S * 6/2013 Yonetsu D12/585
2015/0151585 A1* 6/2015 Fujioka 152/209.18

* cited by examiner

Primary Examiner — George D Kirschbaum

Assistant Examiner — Natasha Vujcic

(74) *Attorney, Agent, or Firm* — Sterne, Kessler, Goldstein & Fox P.L.L.C.

(57) **CLAIM**

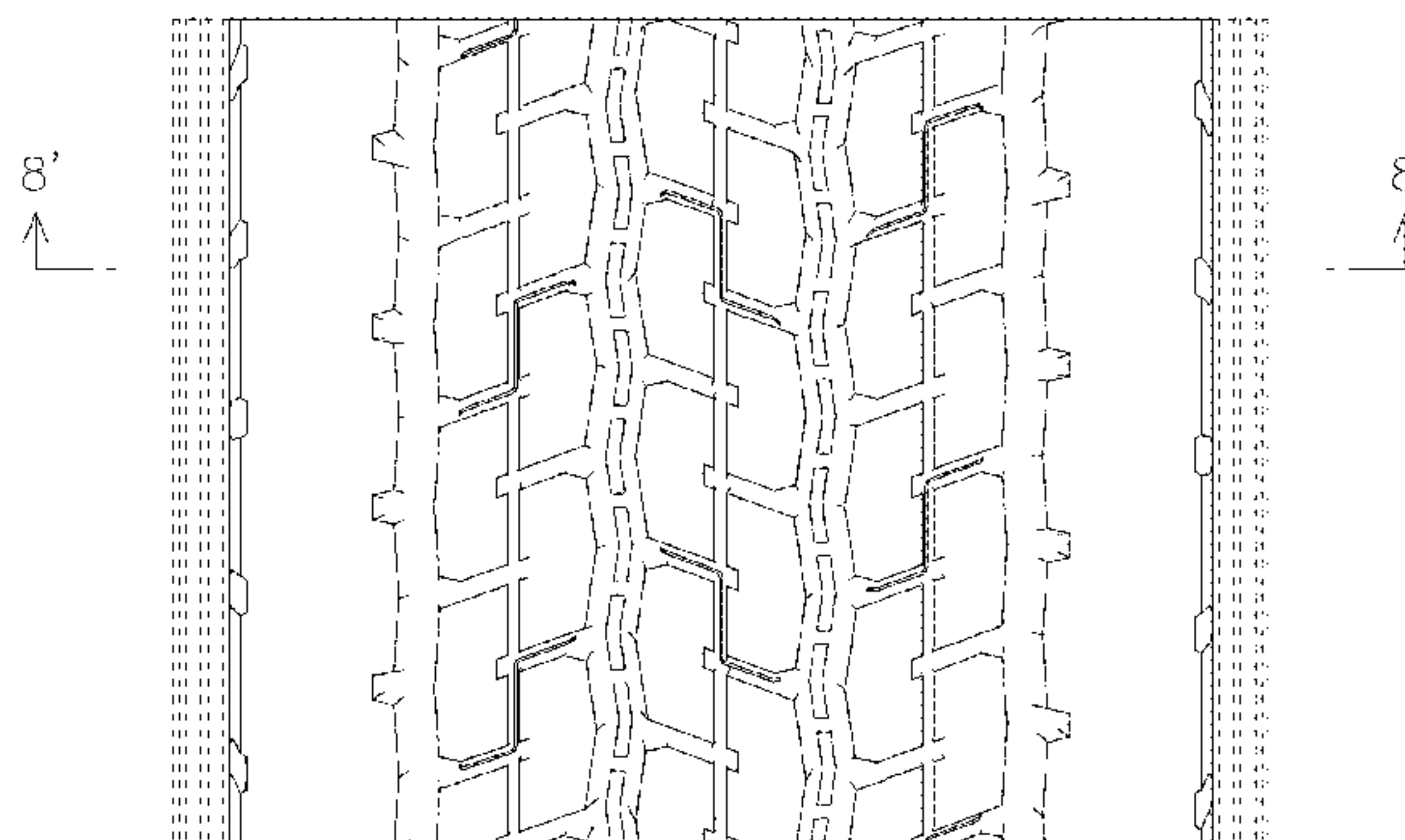
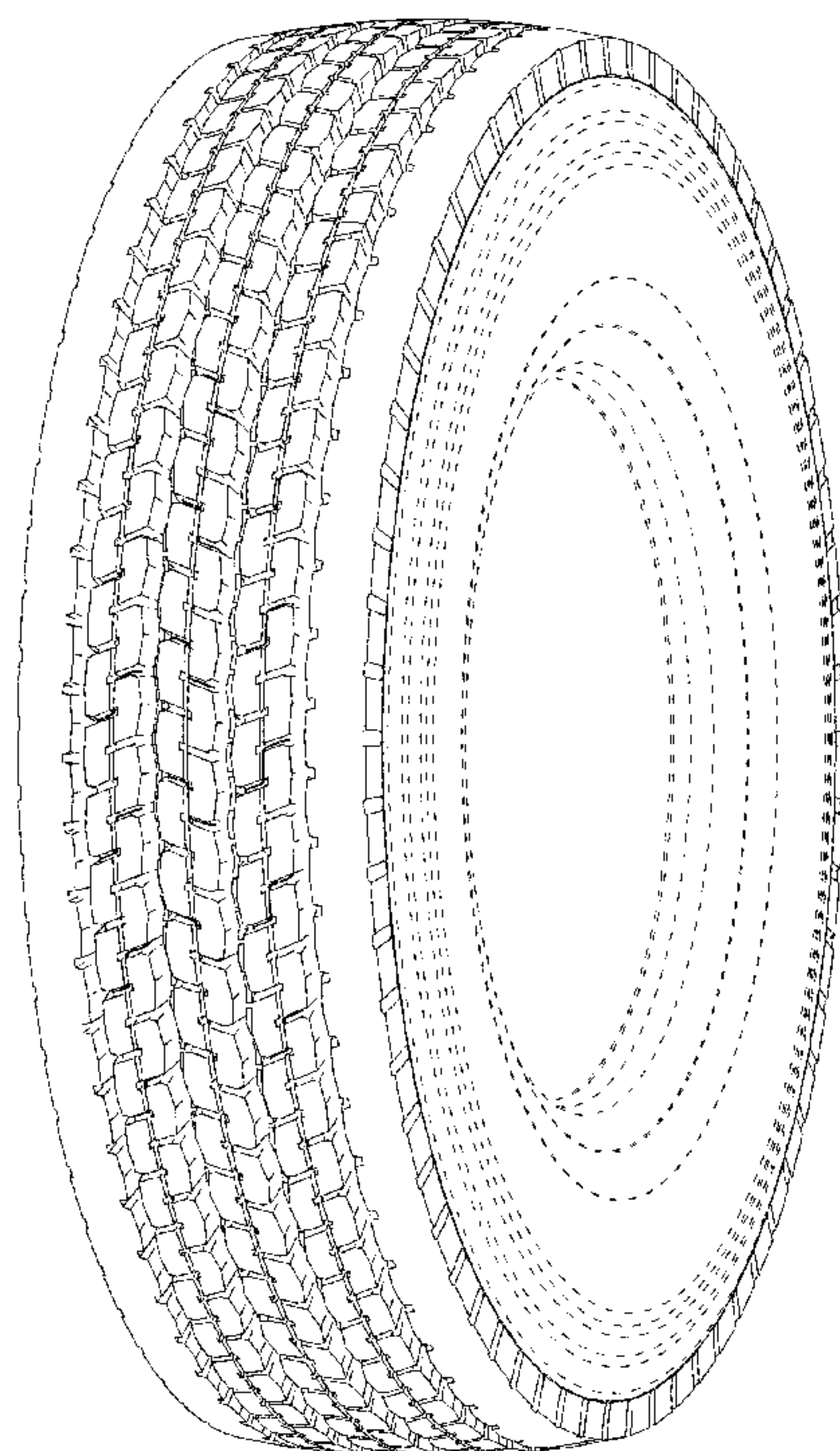
The ornamental design for a tire, as shown and described.

DESCRIPTION

FIG. 1 is a perspective view of a tire showing my new design; FIG. 2 is a front view thereof; FIG. 3 is a rear view thereof; FIG. 4 is a top plan view, for which the bottom plan view is the same; FIG. 5 is a right side view thereof; FIG. 6 is a left side view thereof; FIG. 7 is an enlarged view taken along line 7-7 in FIG. 2; and, FIG. 8 is a cross-sectional view taken along line 8-8 in FIG. 5 and line 8'-8' in FIG. 7.

In the drawings, the broken lines showing portions of the sidewall and inner bead depict portions of the tire which form no part of the claimed design.

1 Claim, 8 Drawing Sheets



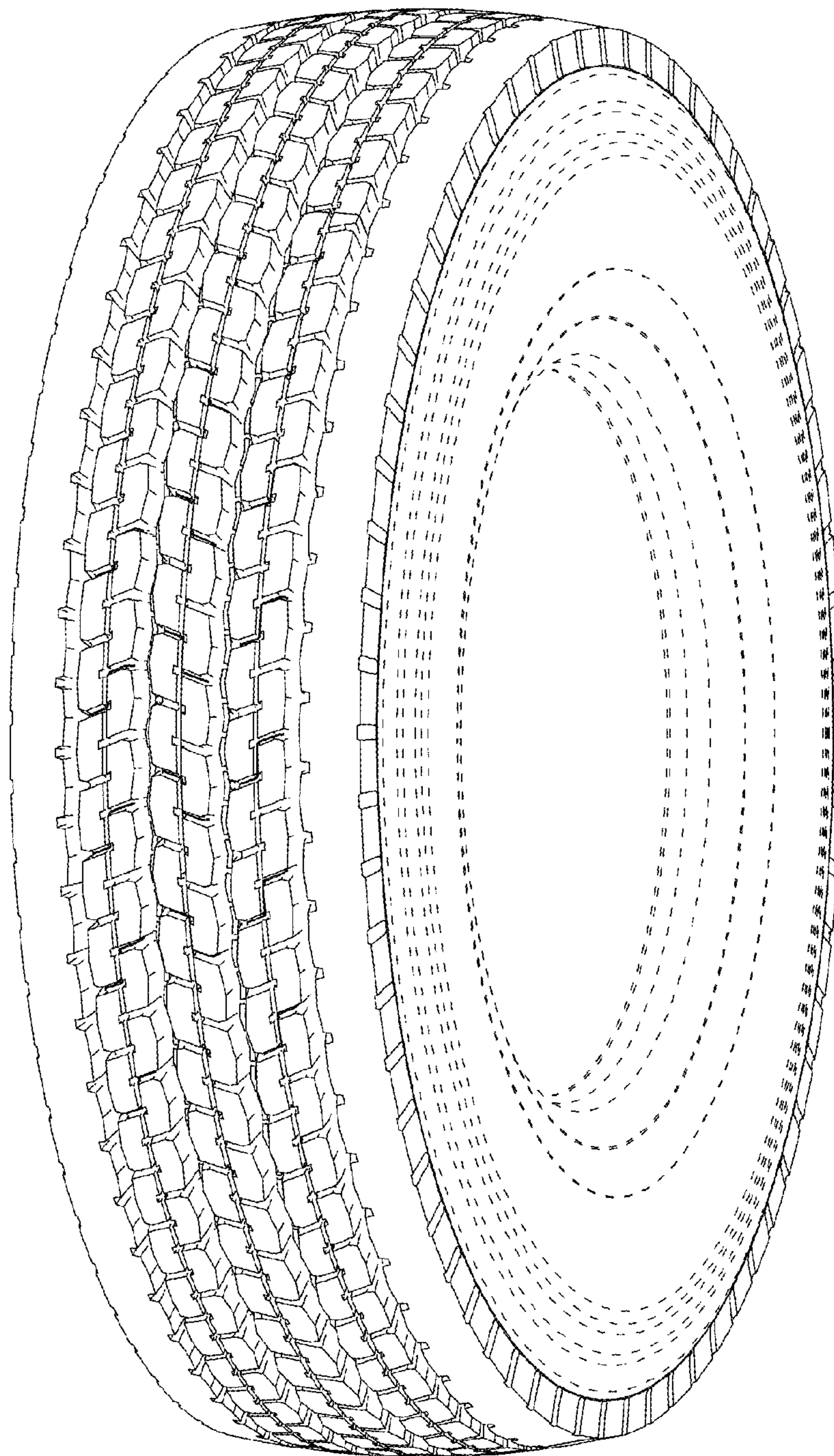


FIG. 1

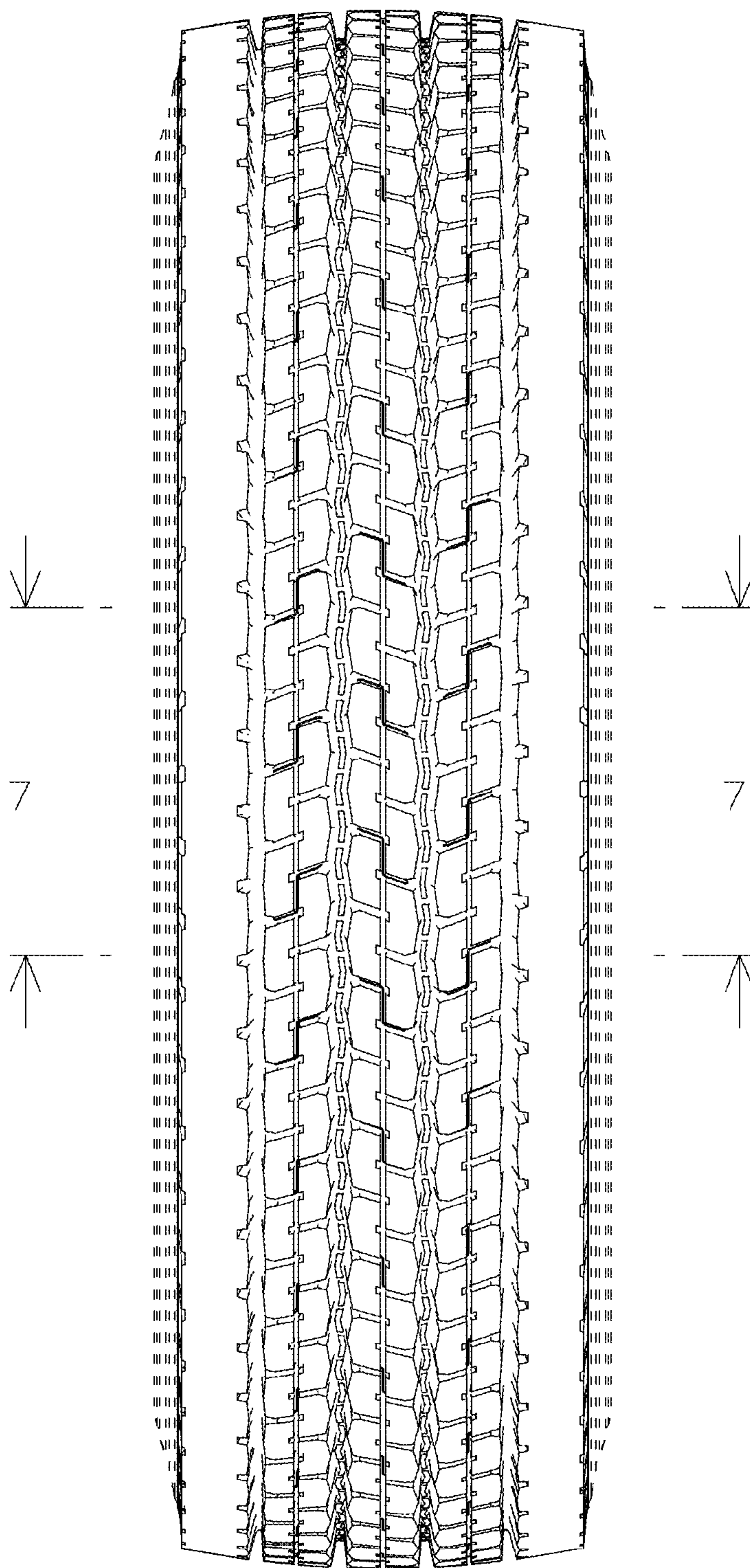


FIG. 2

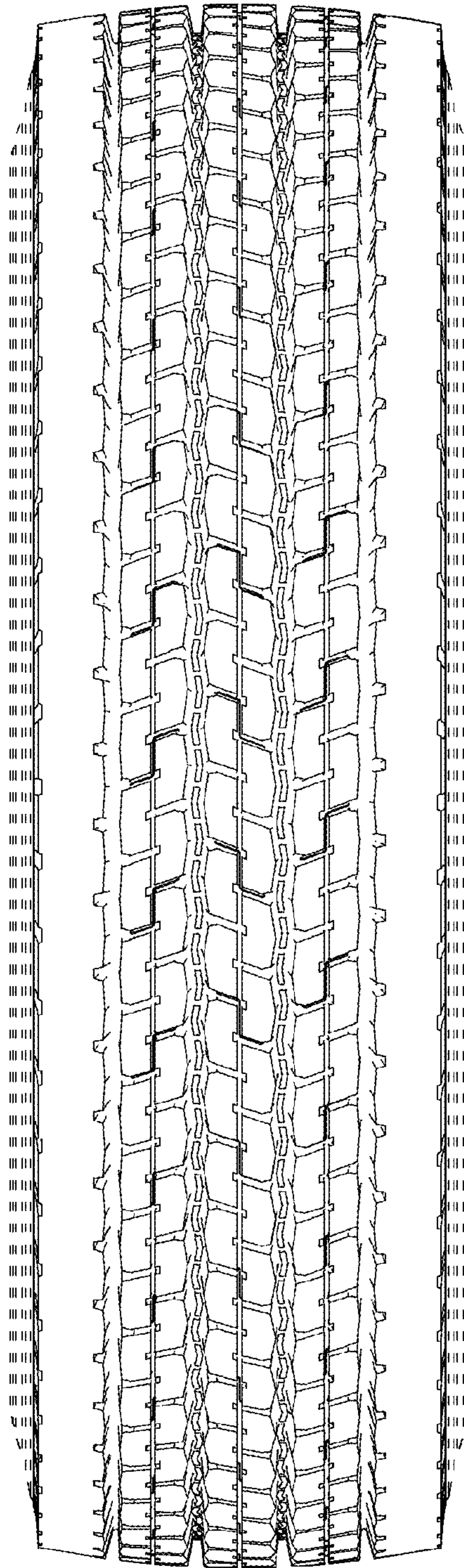


FIG. 3

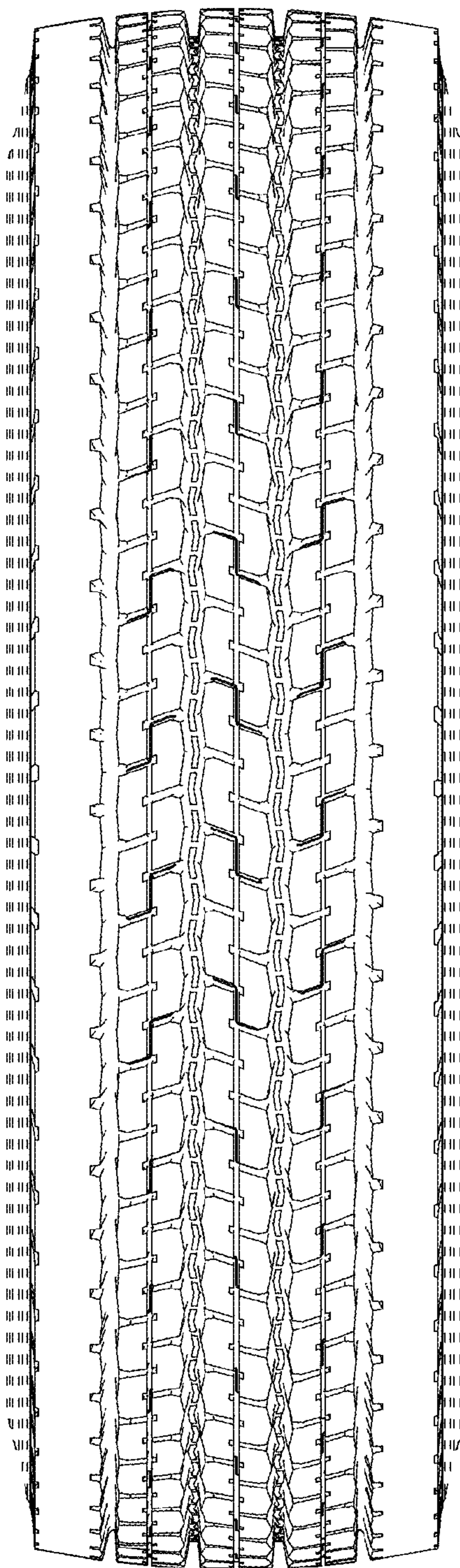


FIG. 4

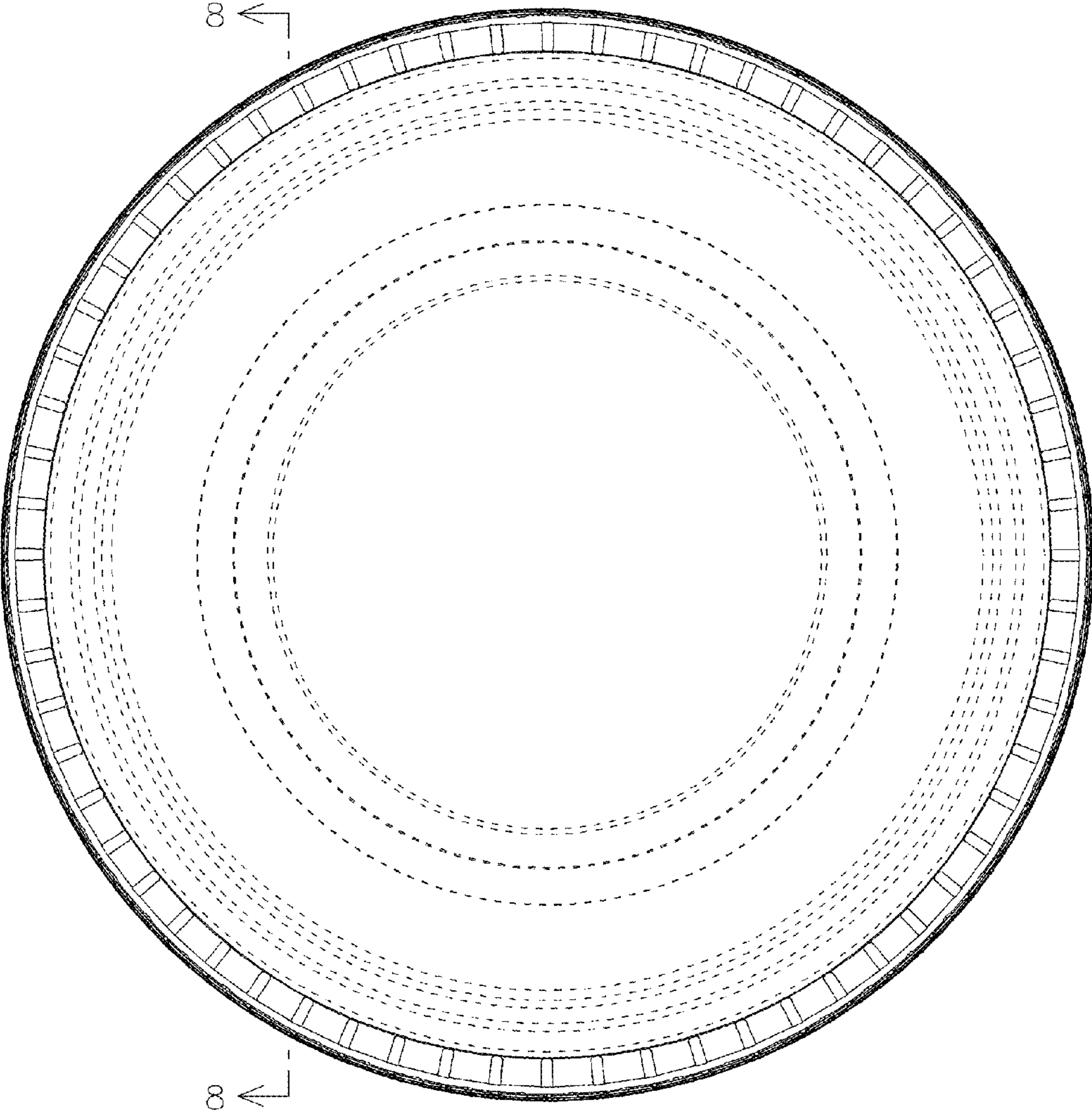


FIG. 5

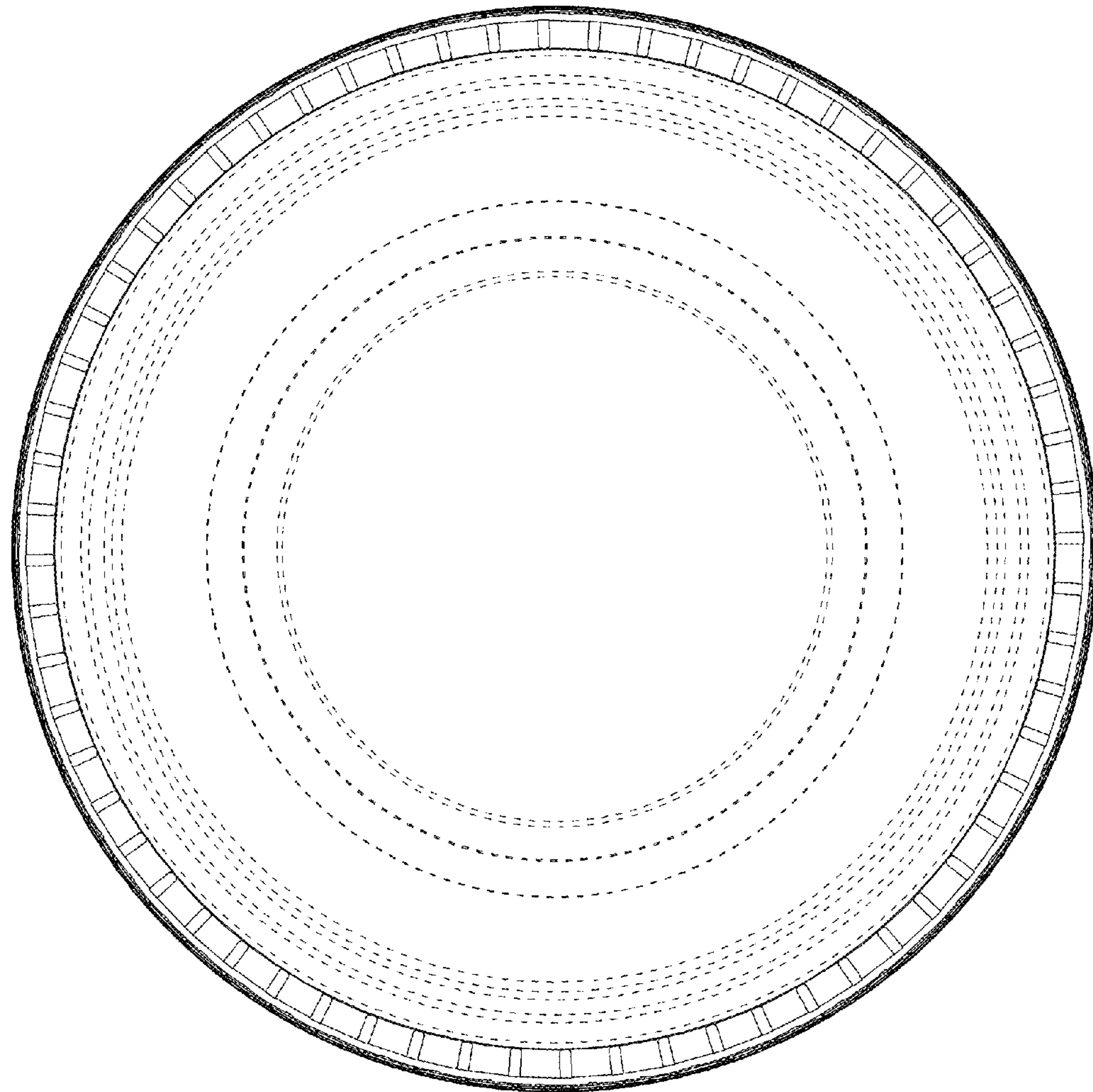


FIG. 6

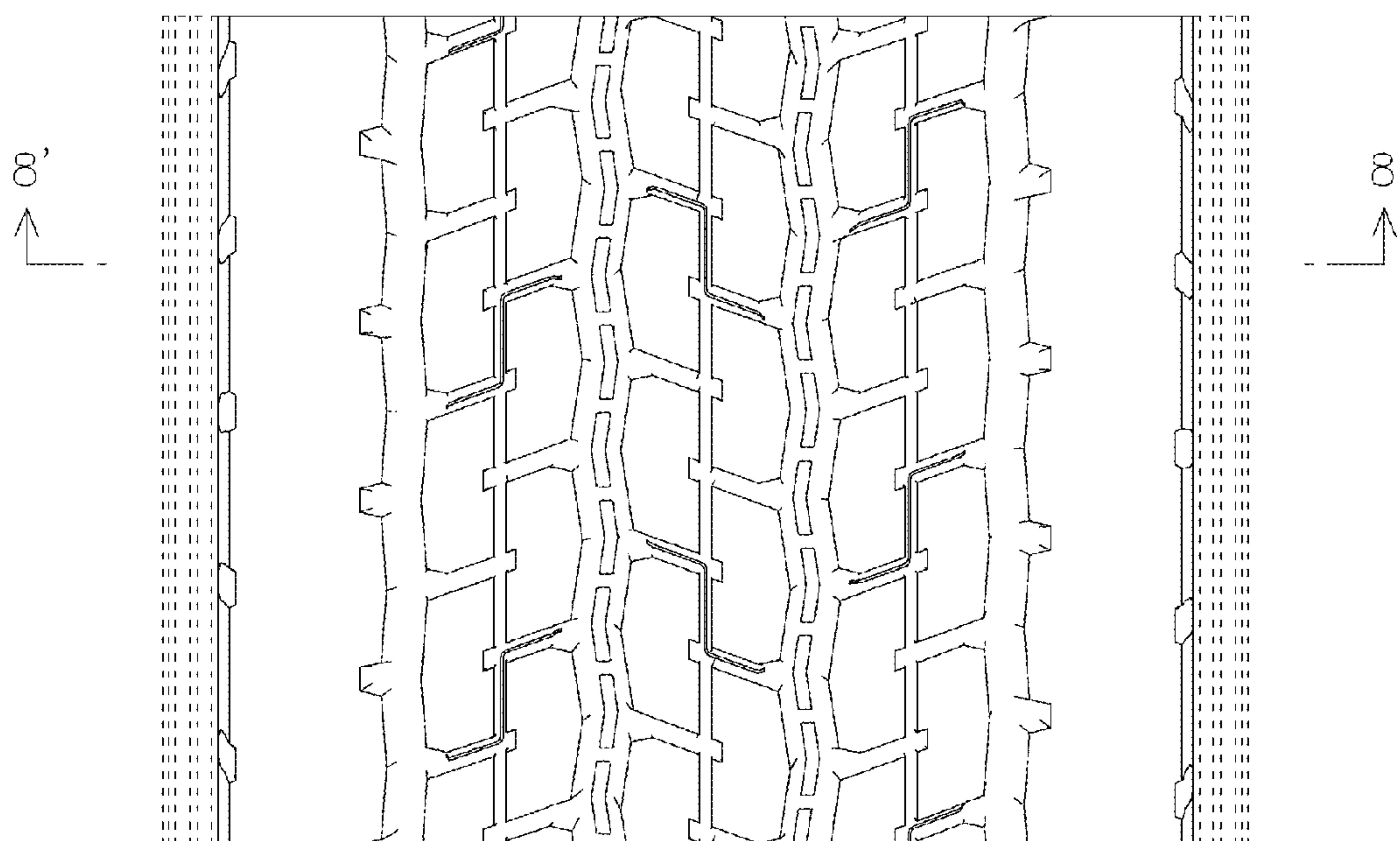


FIG. 7

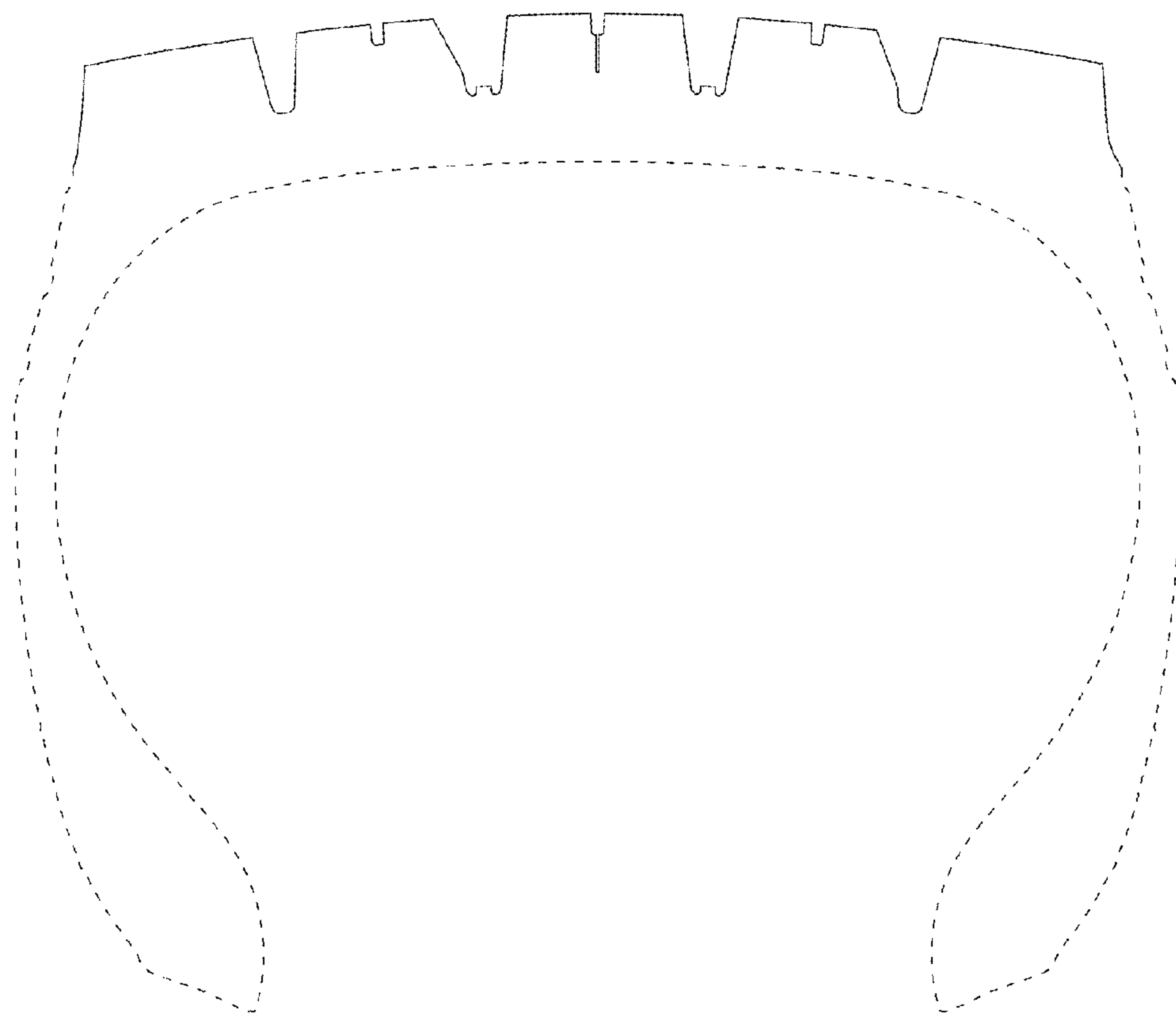


FIG. 8