



US00D742807S

(12) **United States Design Patent**  
**Vissers et al.**

(10) **Patent No.:** **US D742,807 S**

(45) **Date of Patent:** **\*\* Nov. 10, 2015**

(54) **ARMREST FOR VEHICLE SEATS**

(56) **References Cited**

(71) Applicant: **Johnson Control GmbH**, Burscheid (DE)

U.S. PATENT DOCUMENTS

(72) Inventors: **Johan Vissers**, Burscheid (DE);  
**Gabriele Lehmann**, Ratingen (DE);  
**Tamas Karacsonyi**, Wuppertal (DE);  
**Carlos Cromeyer**, Köln (DE);  
**Rudolf-Wilhelm Hemmelrath**,  
Leverkusen (DE); **Oliver Alber**, Bad  
Teinach-Zavelstein (DE); **Michal  
Martinka**, Nové Mesto nad Váhom  
(SK); **Miroslav Rezbárik**, Trencin (SK);  
**Lutz Wege**, Solingen (DE)

|           |    |   |         |                |       |          |
|-----------|----|---|---------|----------------|-------|----------|
| D314,539  | S  | * | 2/1991  | Swanner        | ..... | D12/421  |
| D345,648  | S  | * | 4/1994  | Favilla        | ..... | D12/421  |
| D411,980  | S  | * | 7/1999  | Sacco et al.   | ..... | D12/425  |
| D430,104  | S  | * | 8/2000  | McDonald       | ..... | D12/419  |
| D431,944  | S  | * | 10/2000 | Cazarez et al. | ..... | D6/716.2 |
| 6,663,155 | B1 | * | 12/2003 | Malone et al.  | ..... | 296/37.8 |
| D495,989  | S  | * | 9/2004  | Kohara         | ..... | D12/424  |
| D535,609  | S  | * | 1/2007  | Vitito         | ..... | D12/421  |
| D535,957  | S  | * | 1/2007  | Vitito         | ..... | D14/132  |
| D543,930  | S  | * | 6/2007  | Vitito         | ..... | D12/421  |

(73) Assignee: **JOHNSON CONTROLS GMBH**,  
Burscheid (DE)

OTHER PUBLICATIONS

Design U.S. Appl. No. 29/469,881 Dtd Jul. 6, 2015.

(\*\*) Term: **14 Years**

\* cited by examiner

*Primary Examiner* — Katrina A Betton

(21) Appl. No.: **29/469,883**

(74) *Attorney, Agent, or Firm* — Foley & Lardner LLP

(22) Filed: **Oct. 15, 2013**

(57) **CLAIM**

We claim the ornamental design for an armrest for vehicle seats, as shown and described.

(30) **Foreign Application Priority Data**

Apr. 18, 2013 (DE) ..... 40 2013 001 878

(51) **LOC (10) Cl.** ..... **12-16**

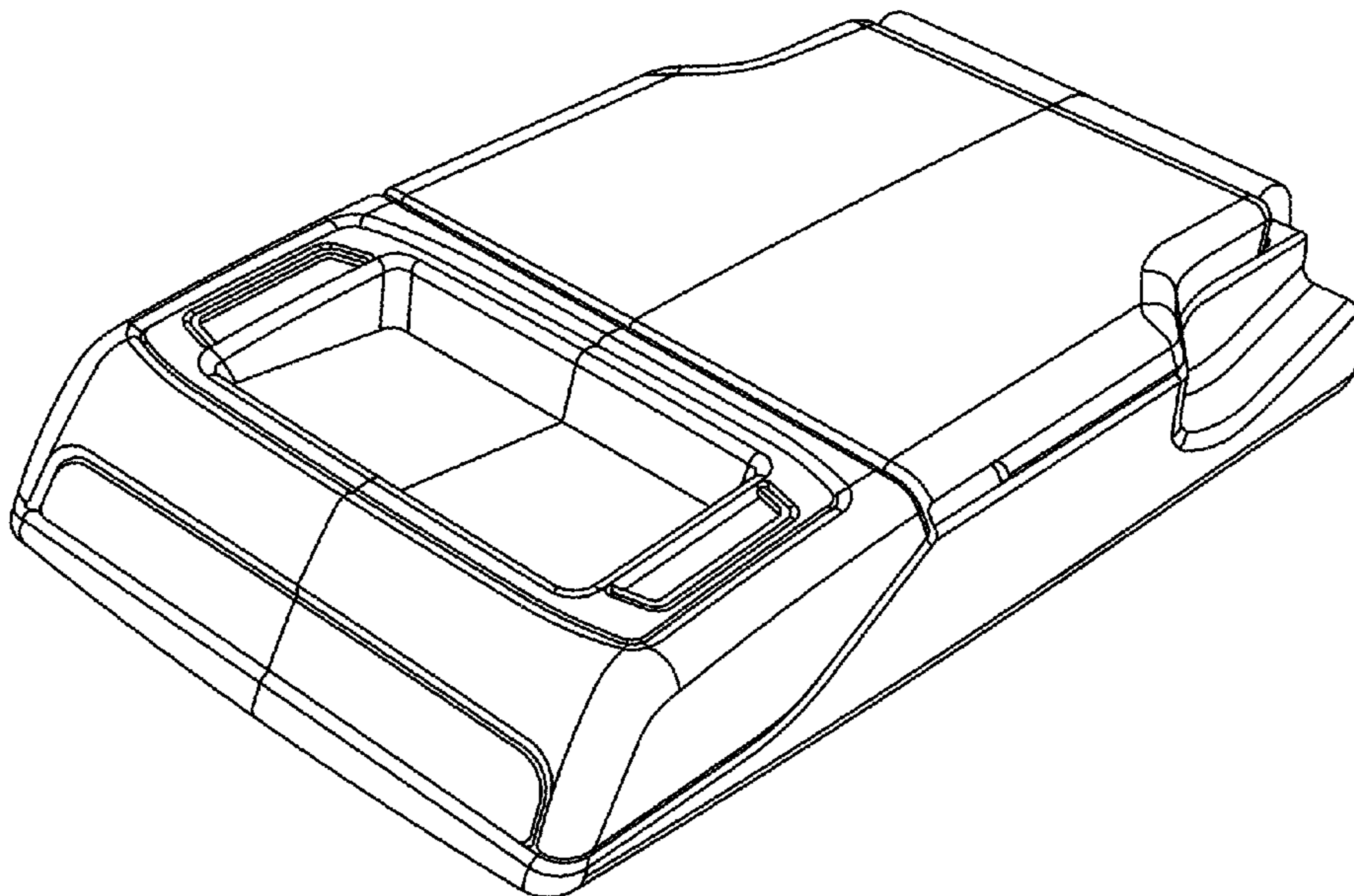
(52) **U.S. Cl.**  
USPC ..... **D12/421**

(58) **Field of Classification Search**  
USPC ..... D12/421, 415, 416, 419  
See application file for complete search history.

**DESCRIPTION**

FIG. 1 is a front perspective view of an armrest for vehicle seats showing my new design;  
FIG. 2 is a bottom plan view thereof;  
FIG. 3 is a front elevational view thereof;  
FIG. 4 is a right side elevational view thereof;  
FIG. 5 is a rear elevational view thereof;  
FIG. 6 is a left side elevational view thereof; and,  
FIG. 7 is a top plan view thereof.

**1 Claim, 7 Drawing Sheets**



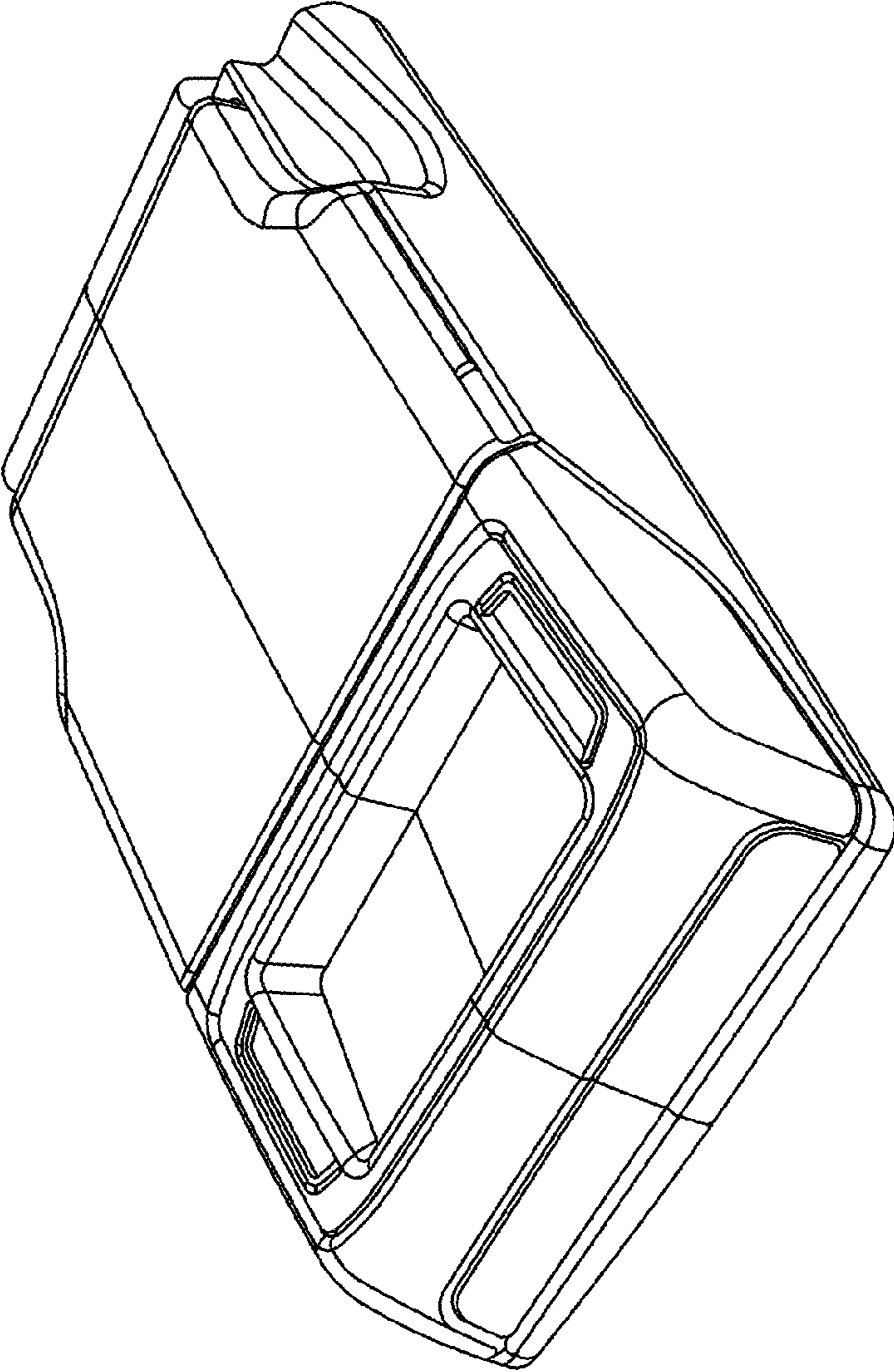


FIG. 1

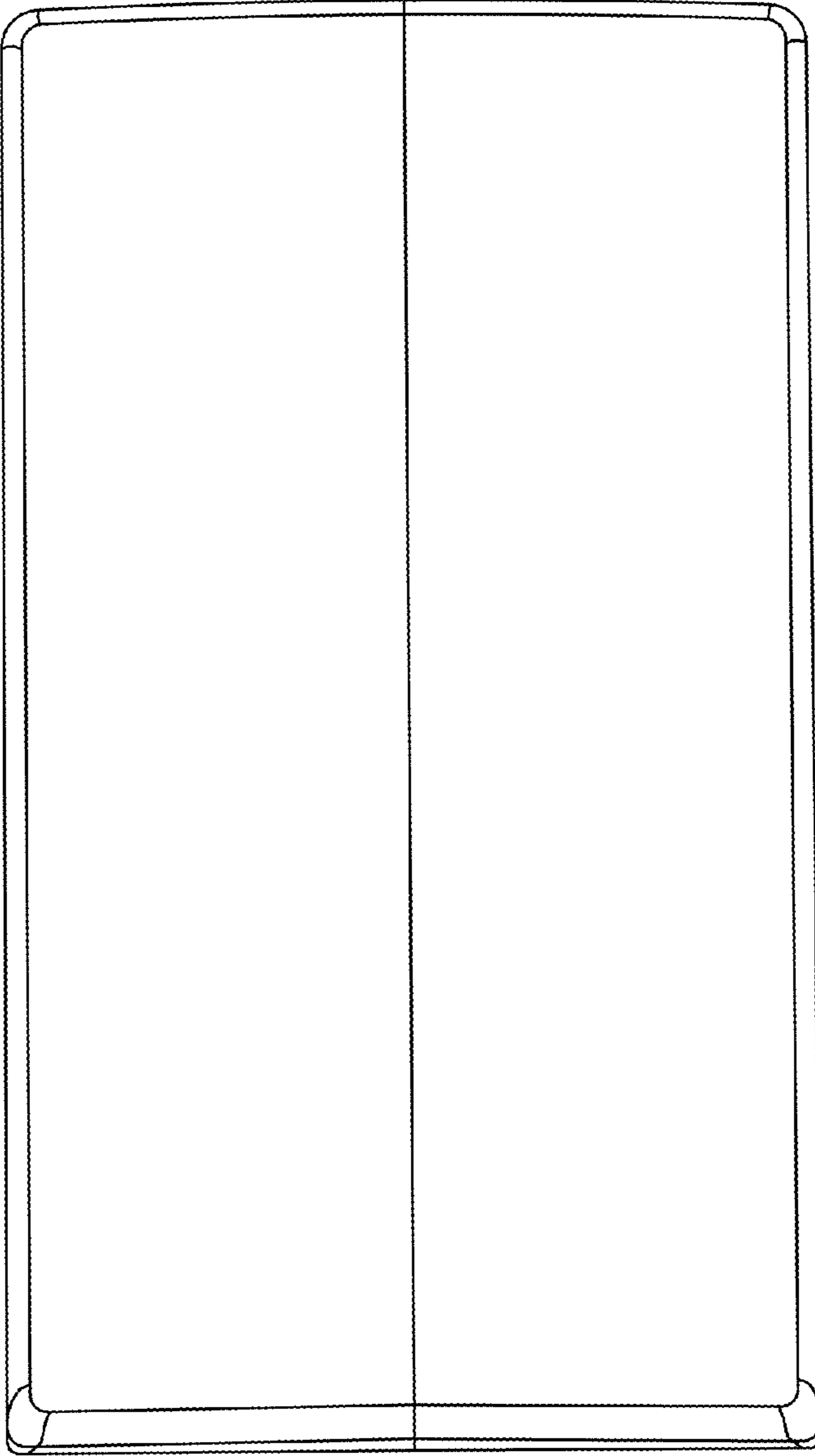


FIG. 2

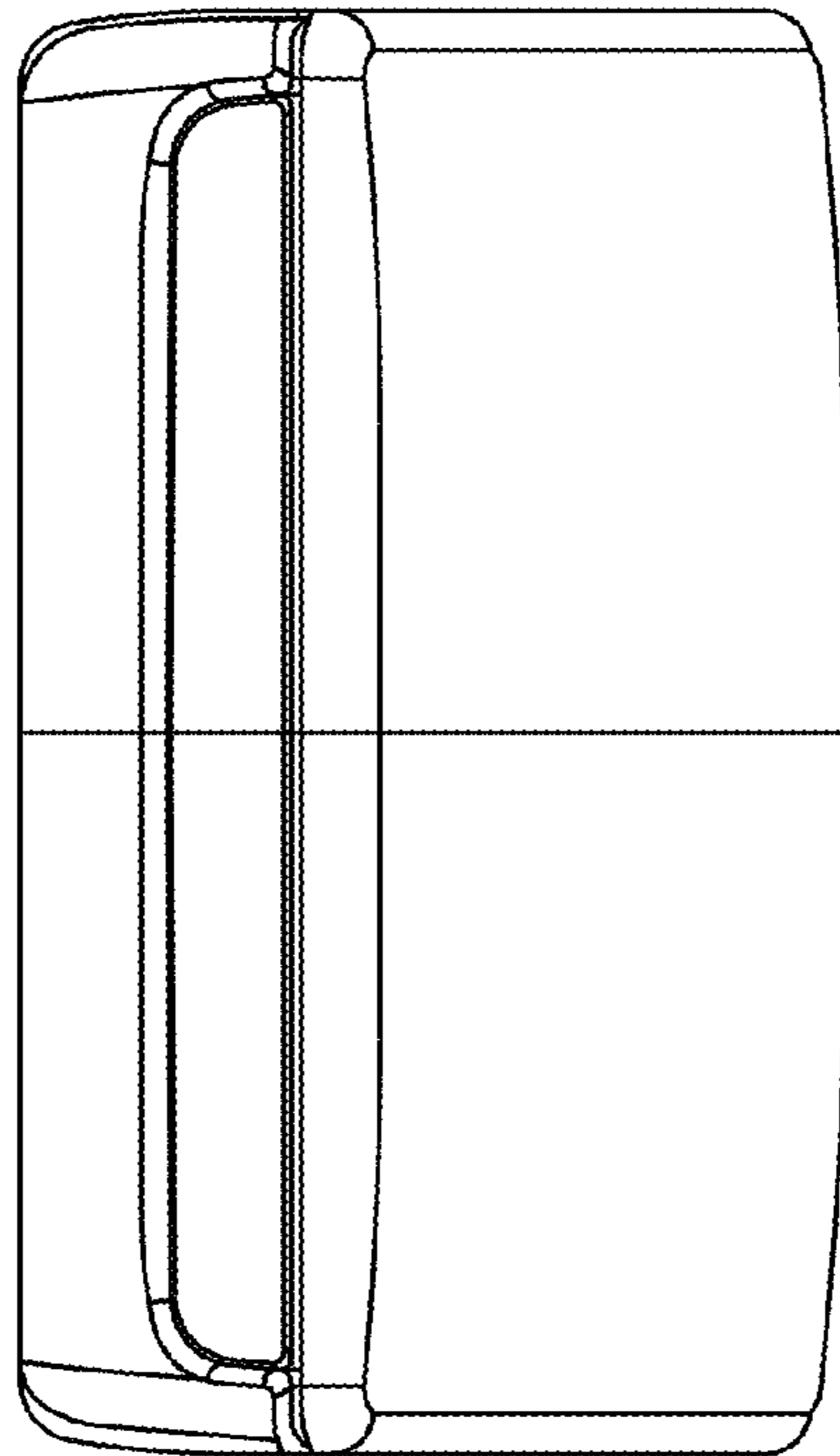


FIG. 3

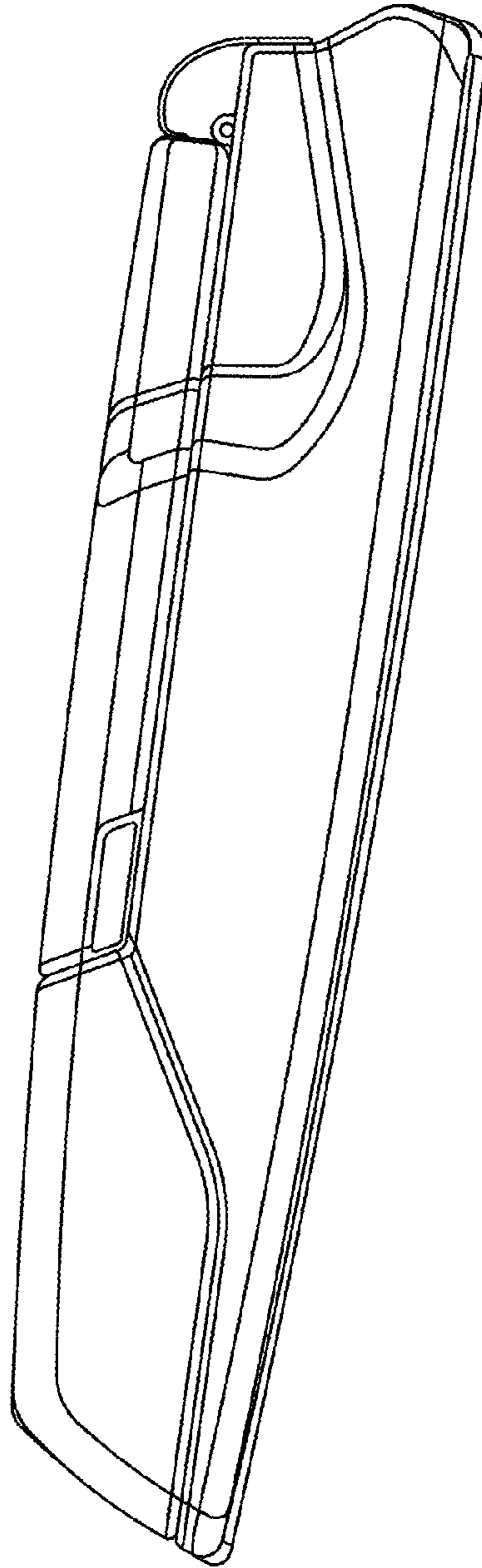


FIG. 4

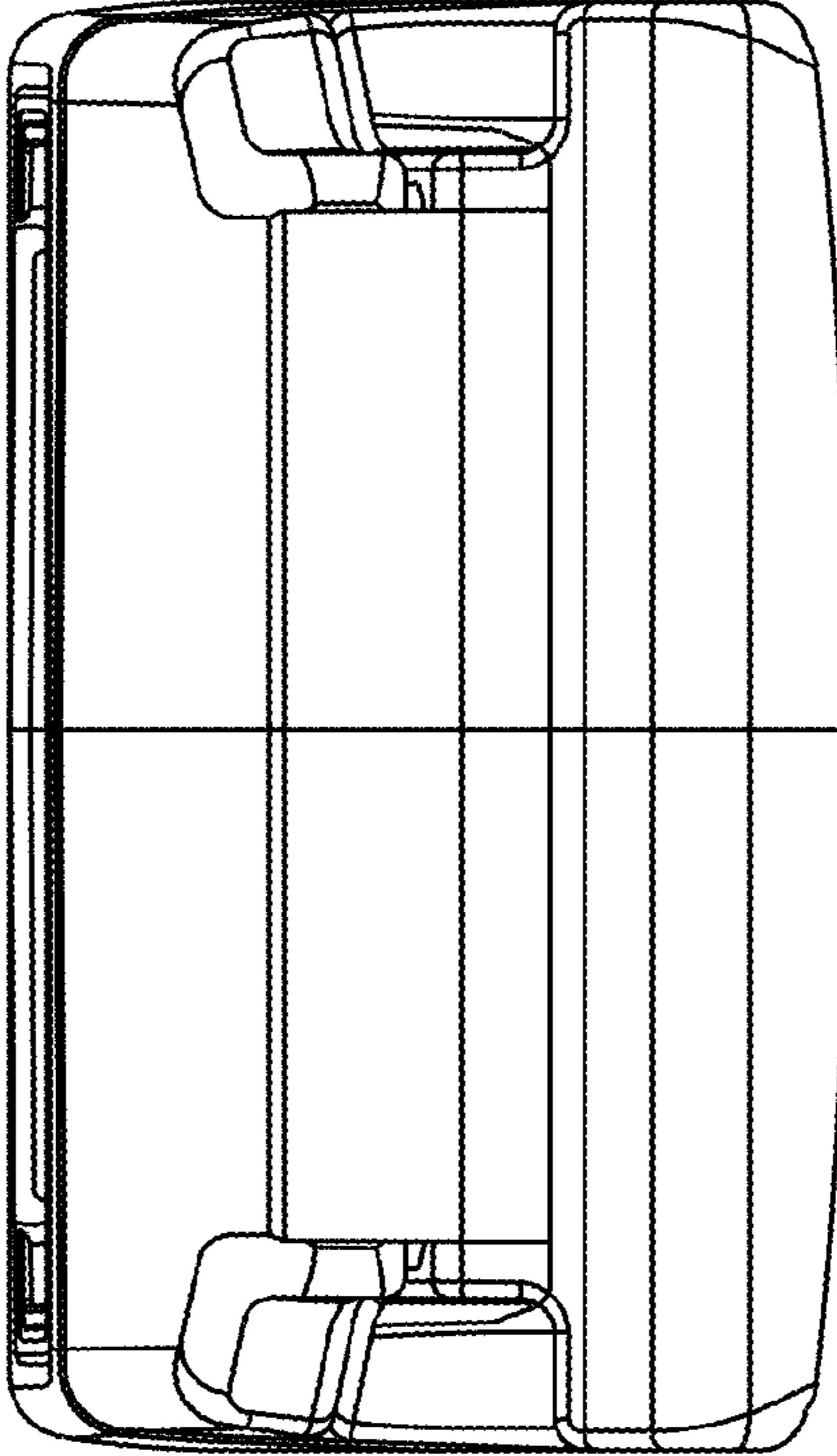


FIG. 5

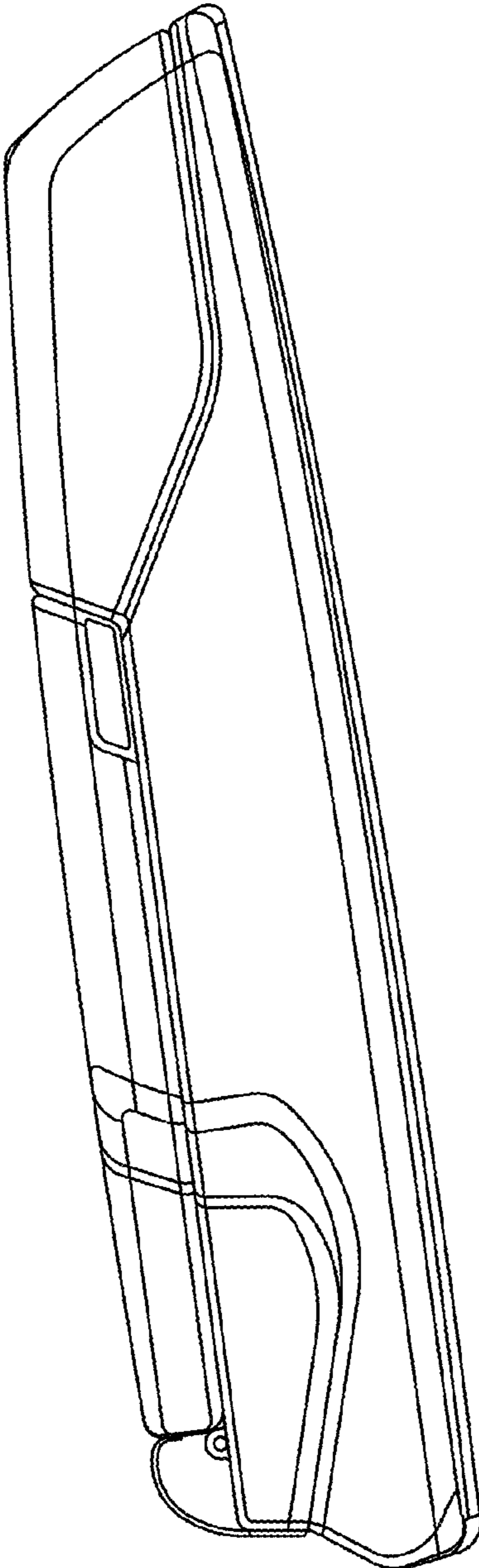


FIG. 6

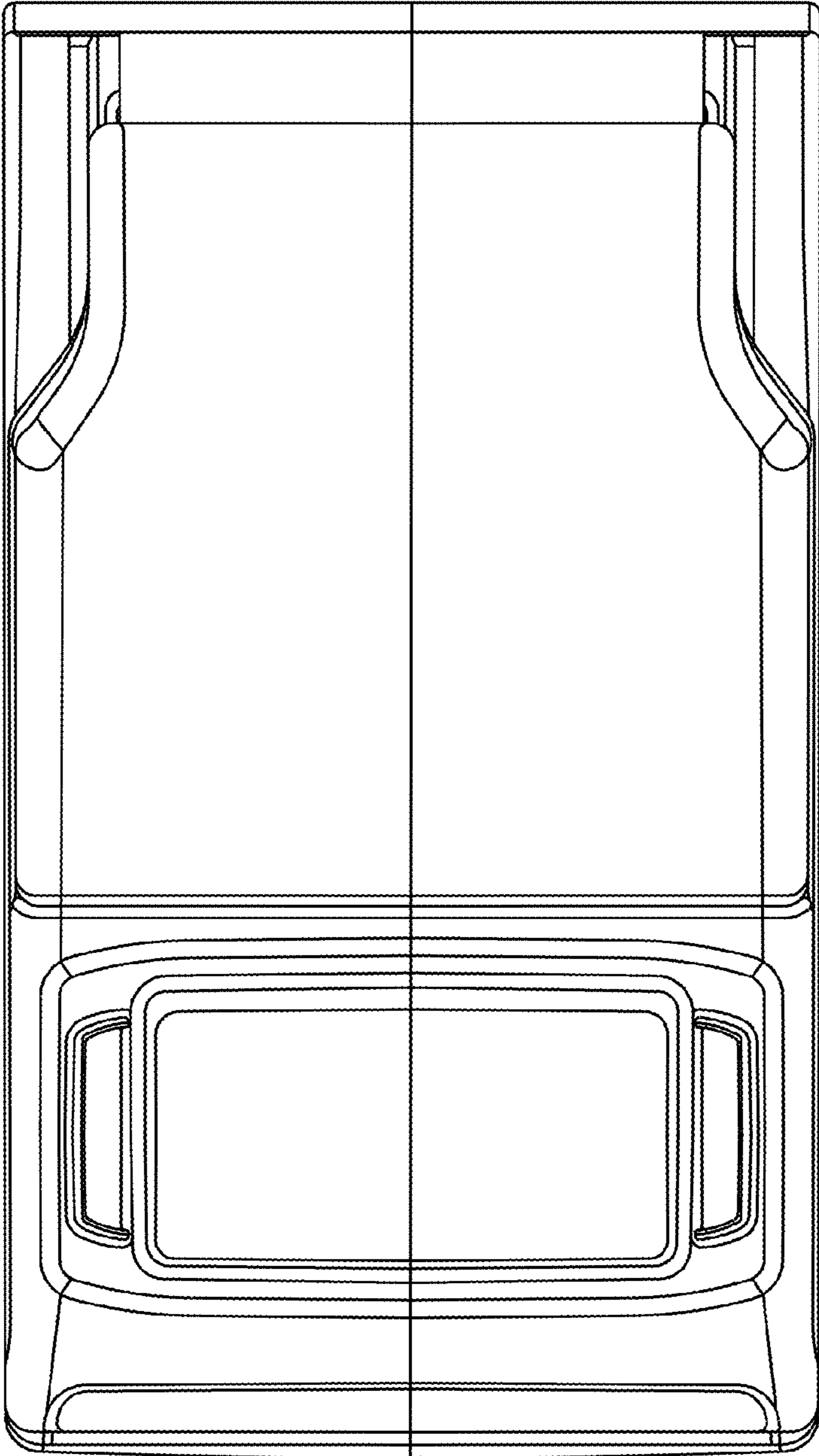


FIG. 7



UNITED STATES PATENT AND TRADEMARK OFFICE  
**CERTIFICATE OF CORRECTION**

PATENT NO. : D742,807 S  
APPLICATION NO. : 29/469883  
DATED : November 10, 2015  
INVENTOR(S) : Vissers et al.

Page 1 of 1

It is certified that error appears in the above-identified patent and that said Letters Patent is hereby corrected as shown below:

Title Page, item (56), Other Publications should read as –

--Notice of Allowance in U.S. Design Application No. 29/469,881 (091331-0297) DTD  
7/6/2015--

Signed and Sealed this  
Twenty-fourth Day of May, 2016



Michelle K. Lee  
*Director of the United States Patent and Trademark Office*