



US00D742806S

(12) **United States Design Patent**
Vissers et al.

(10) **Patent No.:** **US D742,806 S**

(45) **Date of Patent:** **** Nov. 10, 2015**

(54) **ARMREST FOR VEHICLE SEATS**

(56) **References Cited**

(71) Applicant: **Johnson Controls GmbH**, Burscheid (DE)

U.S. PATENT DOCUMENTS

(72) Inventors: **Johan Vissers**, Burscheid (DE);
Gabriele Lehmann, Ratingen (DE);
Tamas Karacsonyi, Wuppertal (DE);
Carlos Cromeyer, Köln (DE);
Rudolf-Wilhelm Hemmelrath,
Leverkusen (DE); **Oliver Alber**, Bad
Teinach-Zavelstein (DE); **Michal
Martinka**, Nové Mesto nad Váhom
(SK); **Miroslav Rezbárik**, Trencin (SK);
Lutz Wege, Solingen (DE)

D314,539	S	*	2/1991	Swanner	D12/421
D345,648	S	*	4/1994	Favilla	D12/421
D411,980	S	*	7/1999	Sacco et al.	D12/425
D430,104	S	*	8/2000	McDonald	D12/419
D431,944	S	*	10/2000	Cazarez et al.	D6/716.2
6,663,155	B1	*	12/2003	Malone et al.	296/37.8
D495,989	S	*	9/2004	Kohara	D12/424
D535,609	S	*	1/2007	Vitito	D12/421
D535,957	S	*	1/2007	Vitito	D14/132
D543,930	S	*	6/2007	Vitito	D12/421

OTHER PUBLICATIONS

Notice of Allowance in Design U.S. Appl. No. 29/469,883, Dtd Jul. 1, 2015.

(73) Assignee: **JOHNSON CONTROLS GMBH**,
Burscheid (DE)

* cited by examiner

(**) Term: **14 Years**

Primary Examiner — Katrina A Betton

(21) Appl. No.: **29/469,881**

(74) *Attorney, Agent, or Firm* — Foley & Lardner LLP

(22) Filed: **Oct. 15, 2013**

(57) **CLAIM**

We claim the ornamental design for an armrest for vehicle seats, as shown and described.

(30) **Foreign Application Priority Data**

Apr. 18, 2013 (DE) 40 2013 001 878

(51) **LOC (10) Cl.** **12-16**

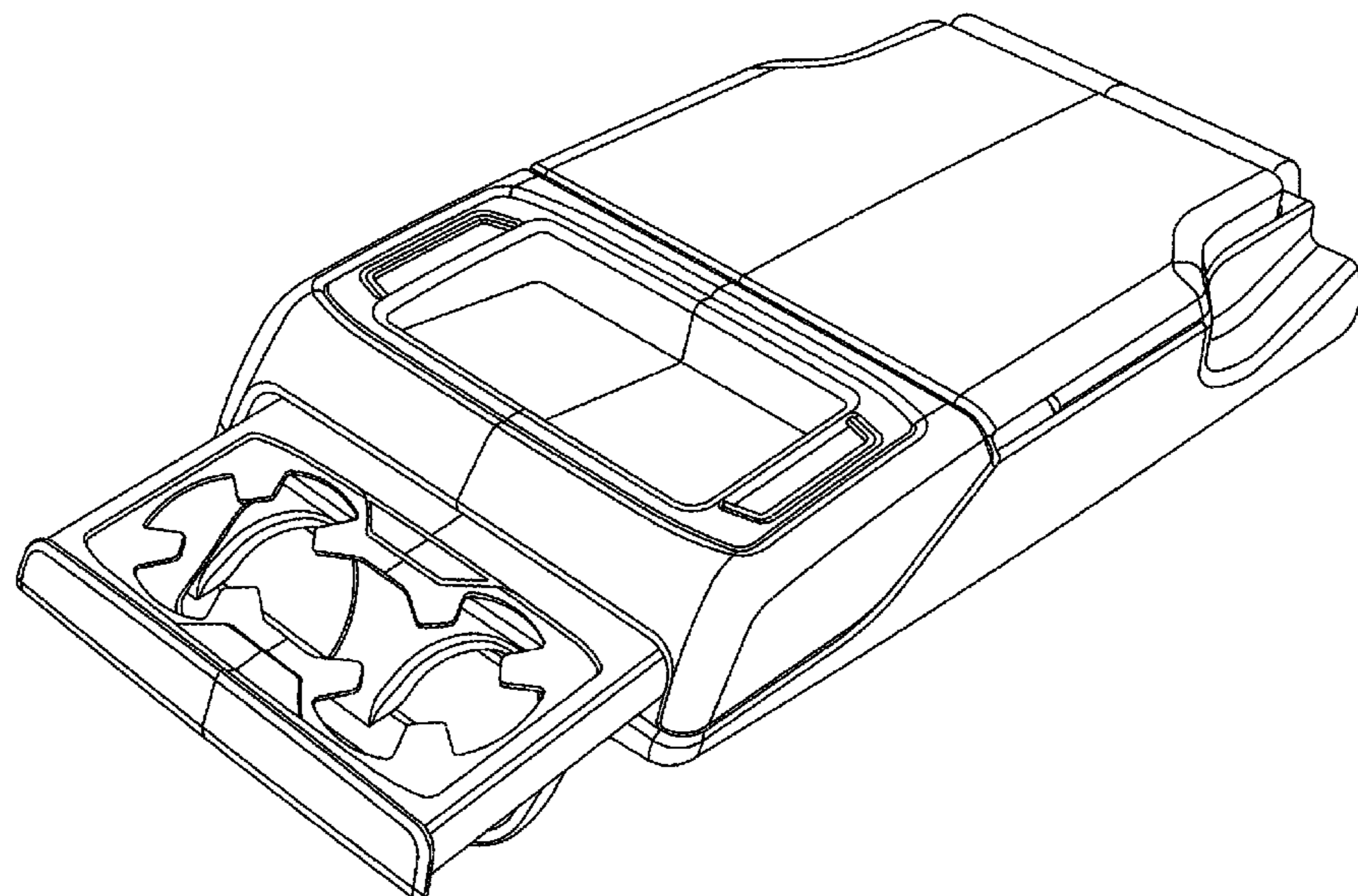
(52) **U.S. Cl.**
USPC **D12/421**

(58) **Field of Classification Search**
USPC D12/421, 415, 416, 419
See application file for complete search history.

DESCRIPTION

FIG. 1 is a front perspective view of an armrest for vehicle seats showing my new design;
FIG. 2 is a bottom plan view thereof;
FIG. 3 is a front elevational view thereof;
FIG. 4 is a right side elevational view thereof;
FIG. 5 is a rear elevational view thereof;
FIG. 6 is a left side elevational view thereof; and,
FIG. 7 is a top plan view thereof.

1 Claim, 7 Drawing Sheets



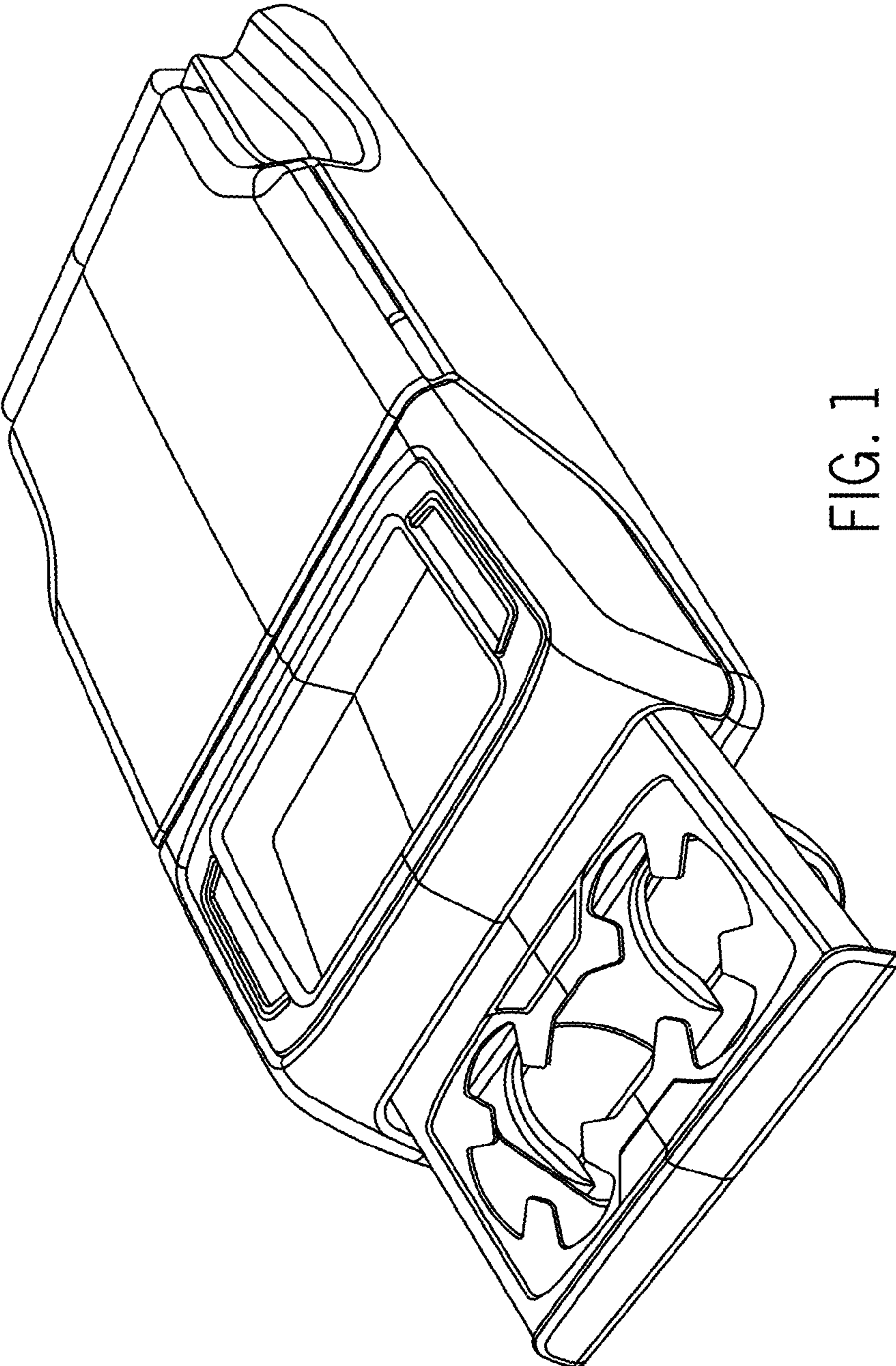


FIG. 1

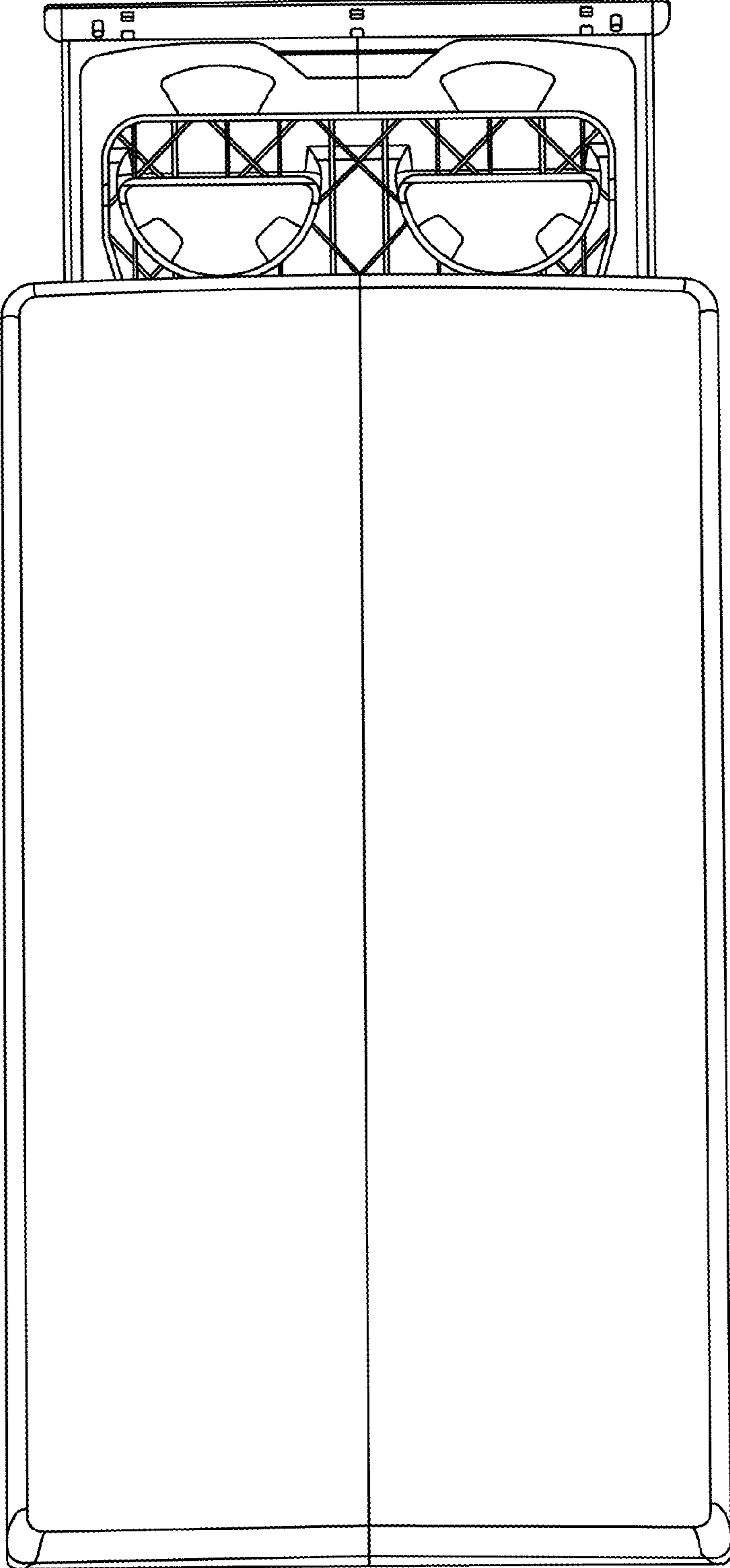


FIG. 2

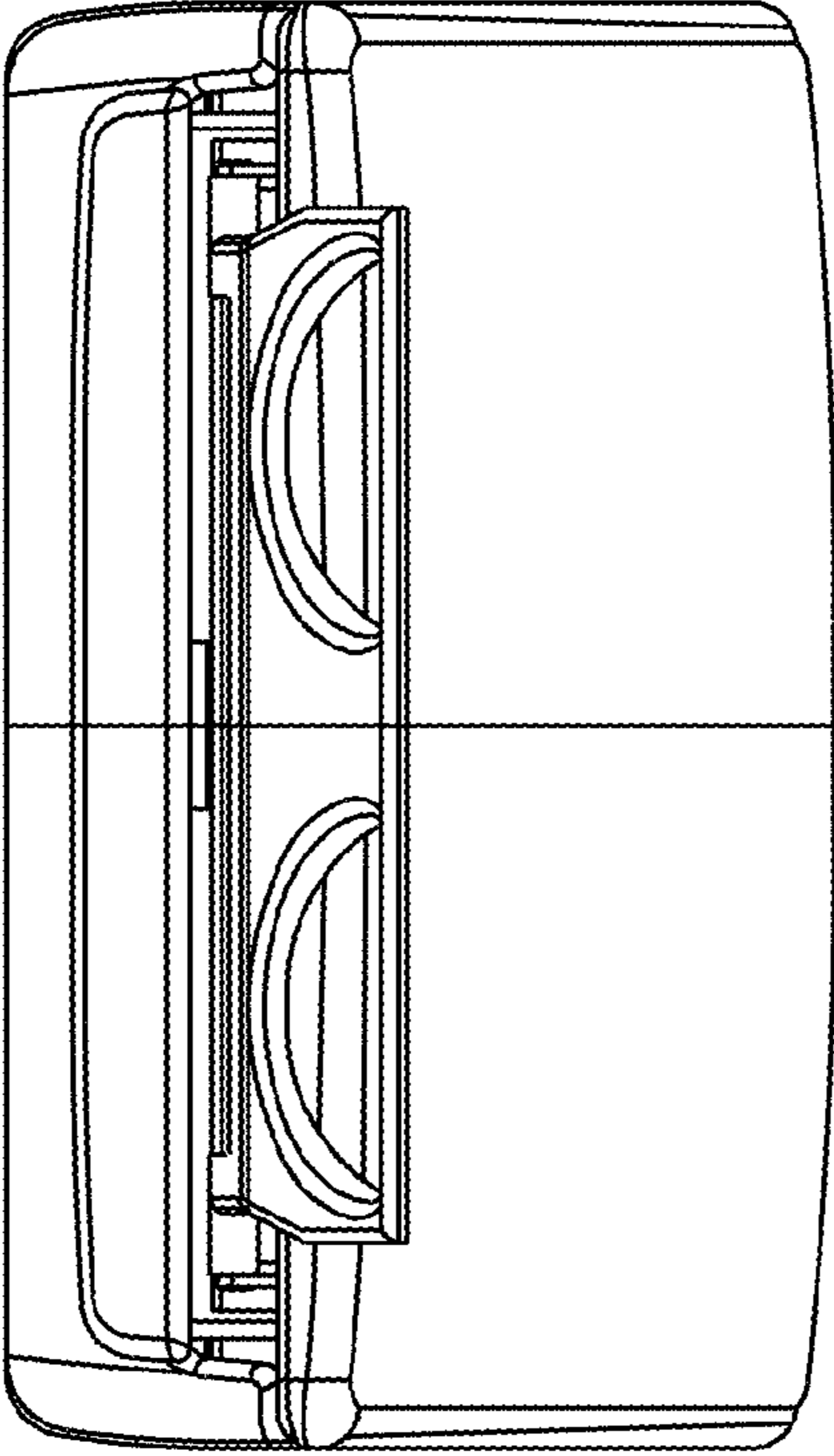


FIG. 3

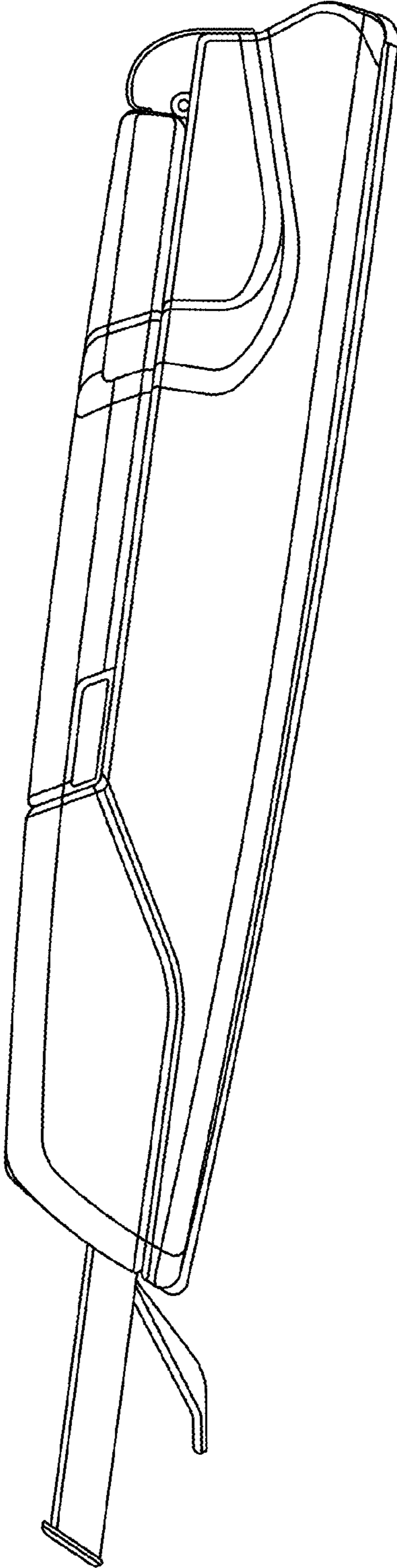


FIG. 4

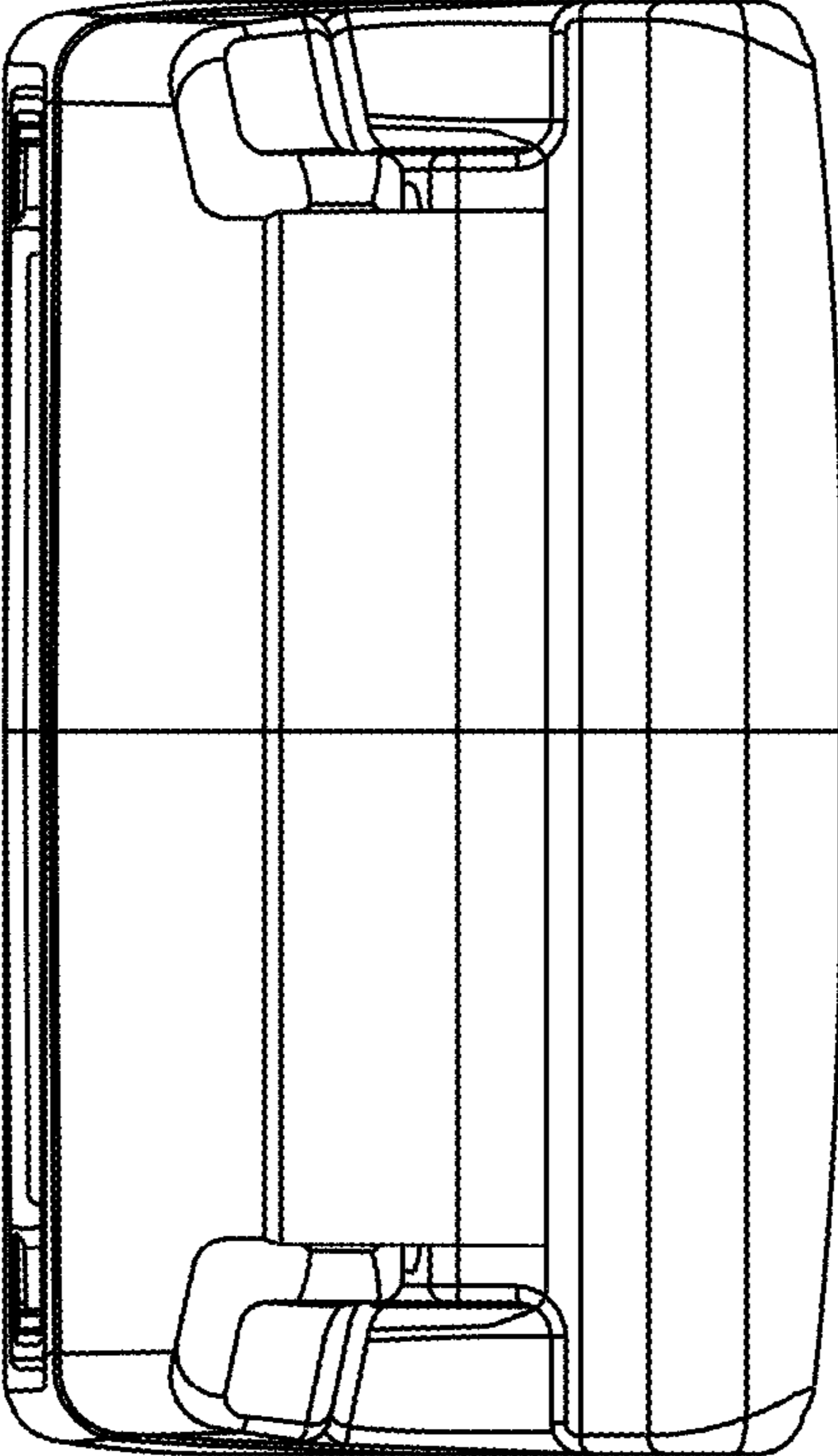


FIG. 5

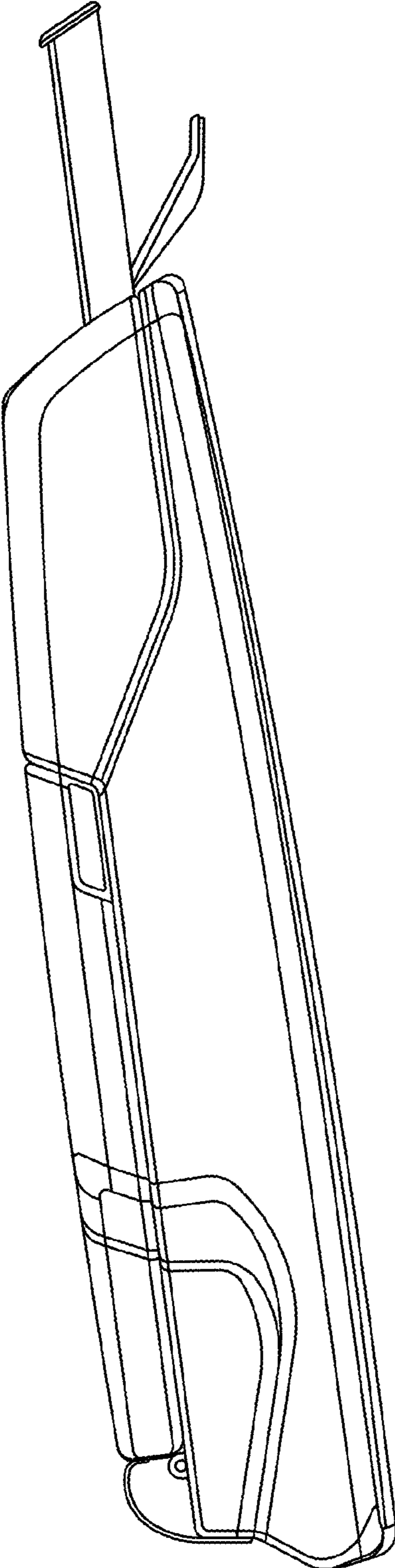


FIG. 6

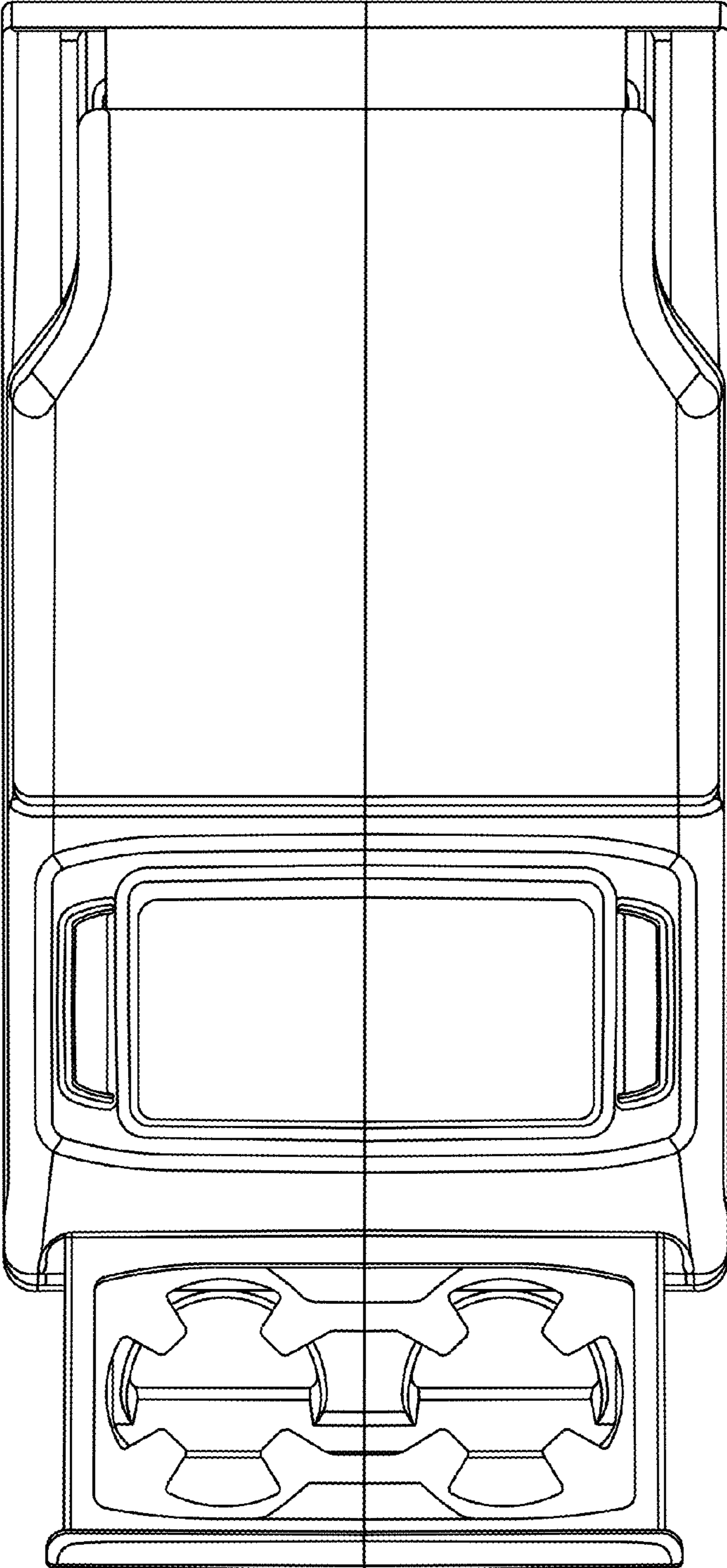


FIG. 7