



US00D742804S

(12) **United States Design Patent**  
**Kim**

(10) **Patent No.:** **US D742,804 S**

(45) **Date of Patent:** **\*\* Nov. 10, 2015**

- (54) **AUXILIARY MAT FOR BOAT**
- (71) Applicant: **AIR BOX CO., LTD.**, Incheon (KR)
- (72) Inventor: **Byung-Joo Kim**, Incheon (KR)
- (73) Assignee: **AIR BOX CO., LTD.**, Incheon (KR)
- (\*\*) Term: **14 Years**
- (21) Appl. No.: **29/512,680**
- (22) Filed: **Dec. 22, 2014**
- (51) **LOC (10) Cl.** ..... **12-06**
- (52) **U.S. Cl.**  
USPC ..... **D12/317**
- (58) **Field of Classification Search**  
USPC ..... D12/203, 300-318; D6/582, 583  
CPC ..... B63B 2029/022; B63B 24/14  
See application file for complete search history.

- D726,633 S \* 4/2015 Cote et al. .... D12/317
- D726,634 S \* 4/2015 Curts ..... D12/317
- D726,635 S \* 4/2015 Curts ..... D12/317
- 2007/0006789 A1 \* 1/2007 Davidson et al. .... 114/362
- 2013/0160695 A1 \* 6/2013 Gratz et al. .... 114/362

\* cited by examiner

*Primary Examiner* — Cynthia M Chin

(74) *Attorney, Agent, or Firm* — Rabin & Berdo, P.C.

(57) **CLAIM**

I claim the ornamental design for an auxiliary mat for boat, as shown and described.

**DESCRIPTION**

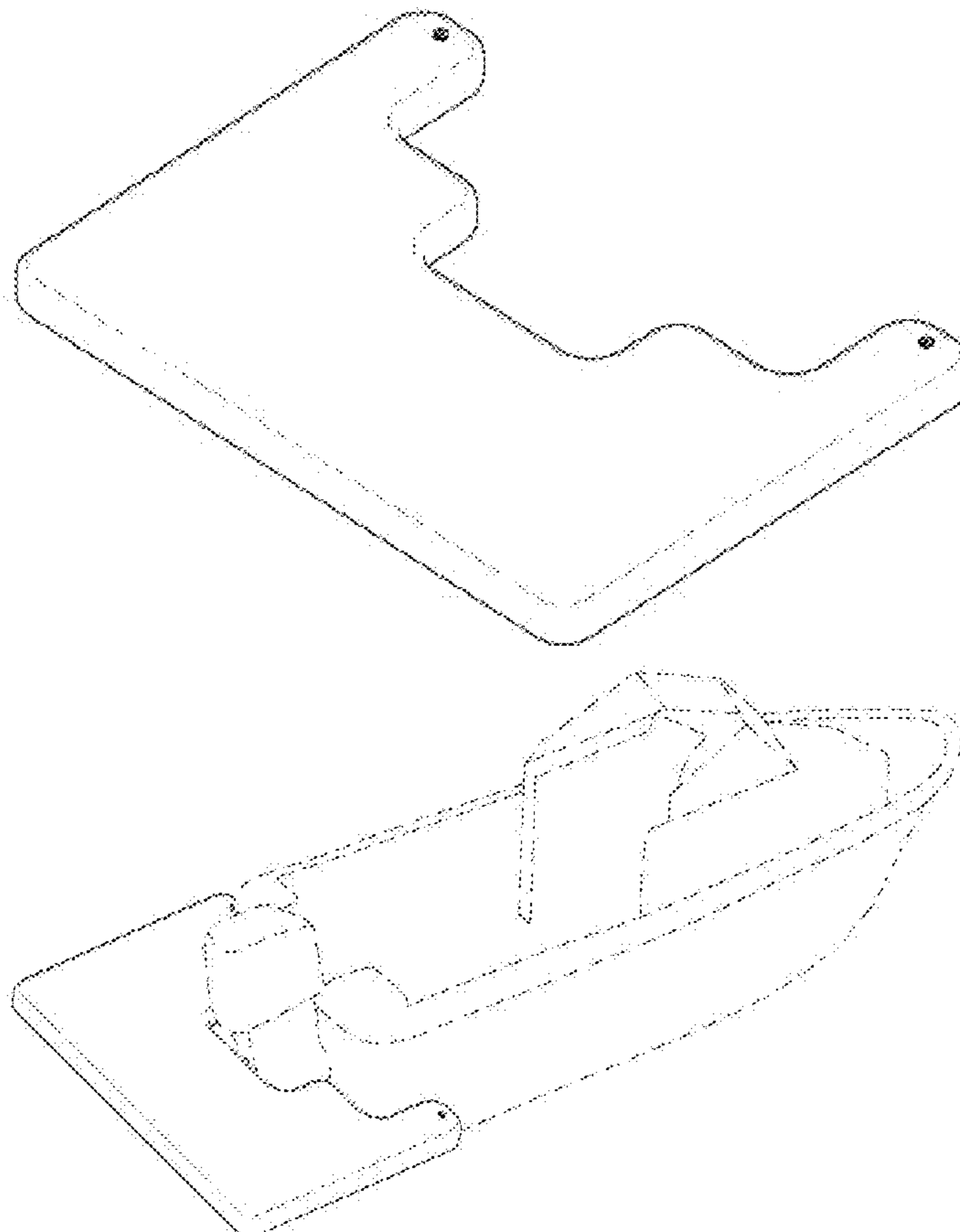
FIG. 1 is a perspective view of an auxiliary mat for boat showing my new design;  
 FIG. 2 is a front elevational view thereof;  
 FIG. 3 is a rear elevational view thereof;  
 FIG. 4 is a left side elevational view thereof; the right side being mirror image thereof;  
 FIG. 5 is a top view thereof;  
 FIG. 6 is a bottom view thereof; and,  
 FIG. 7 is a reference view showing an auxiliary mat for boat. The broken lines represent the environment in which the auxiliary mat for boat resides and form no part of the claim.

**1 Claim, 5 Drawing Sheets**

(56) **References Cited**

**U.S. PATENT DOCUMENTS**

- D349,090 S \* 7/1994 Wenstadt ..... D12/318
- 5,632,224 A \* 5/1997 Schneider ..... 114/362
- D417,183 S \* 11/1999 Rogers-Smith ..... D12/317
- D445,394 S \* 7/2001 Wesson ..... D12/318
- D547,256 S \* 7/2007 Kalil ..... D12/317



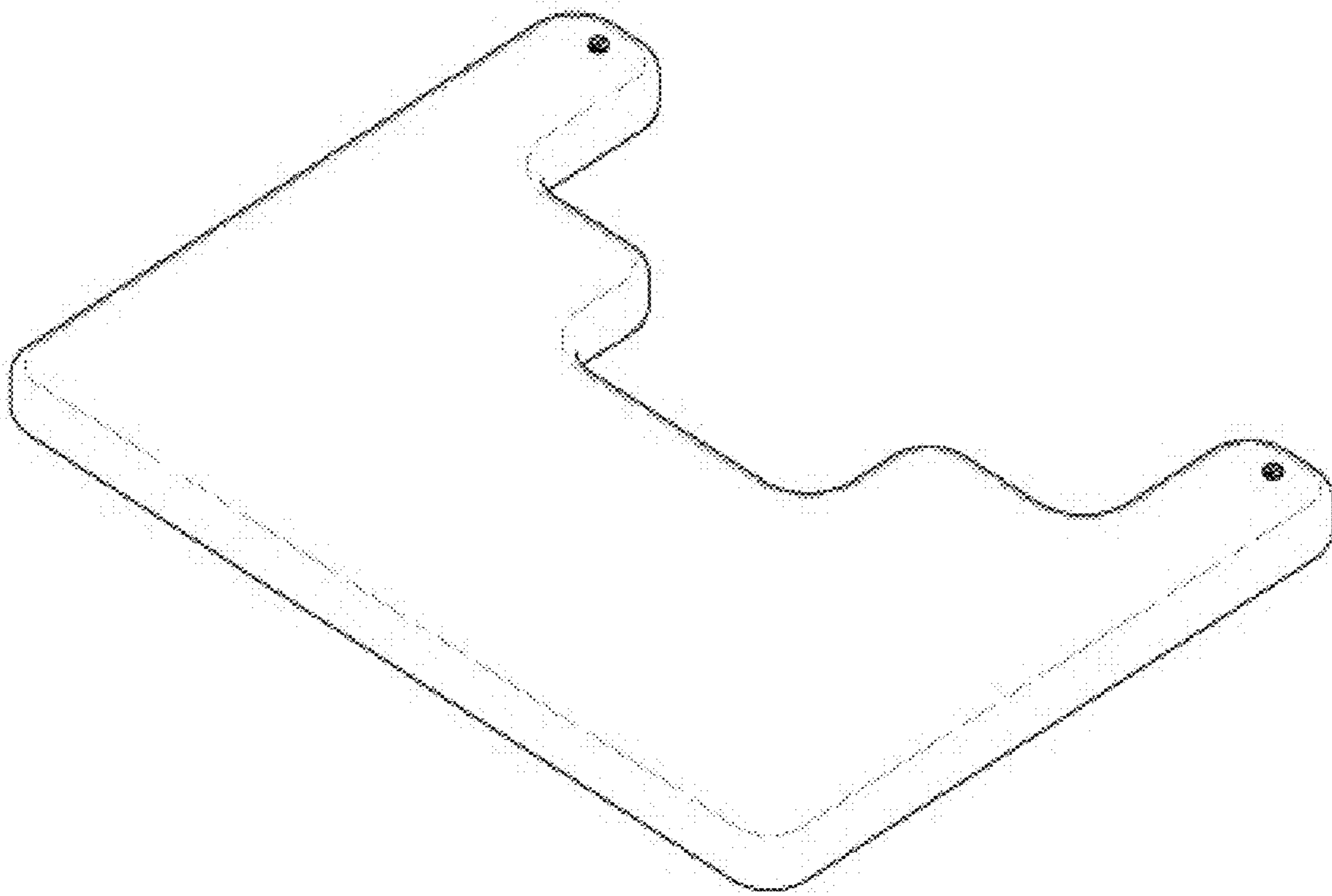


FIG. 1



FIG. 2

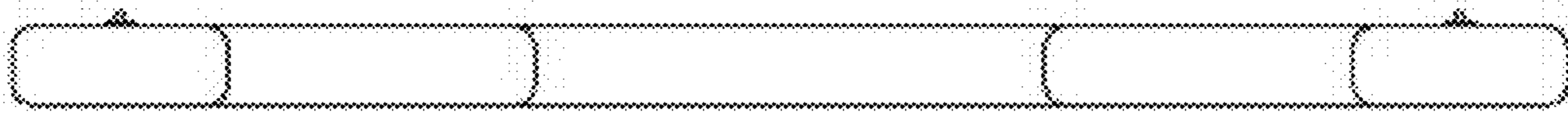


FIG. 3

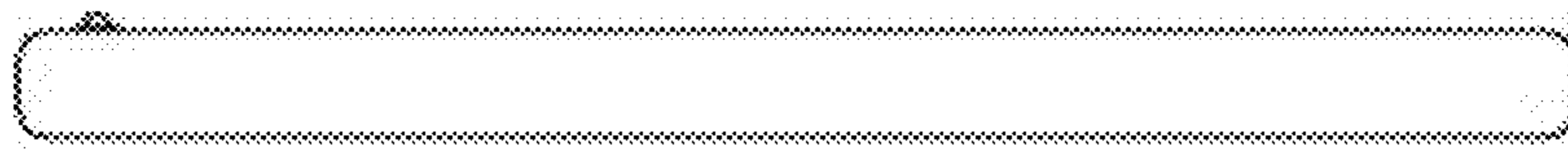


FIG. 4

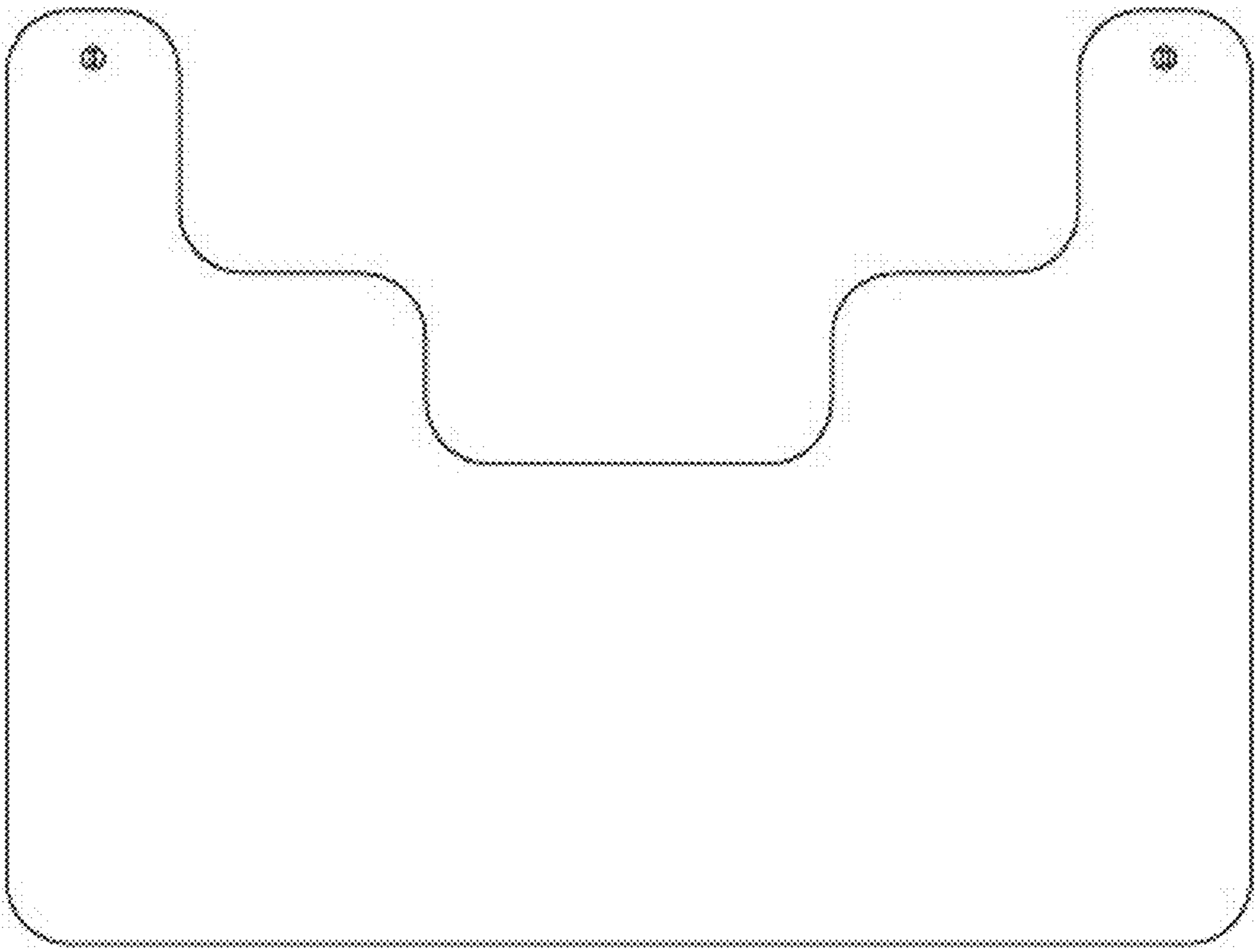


FIG. 5

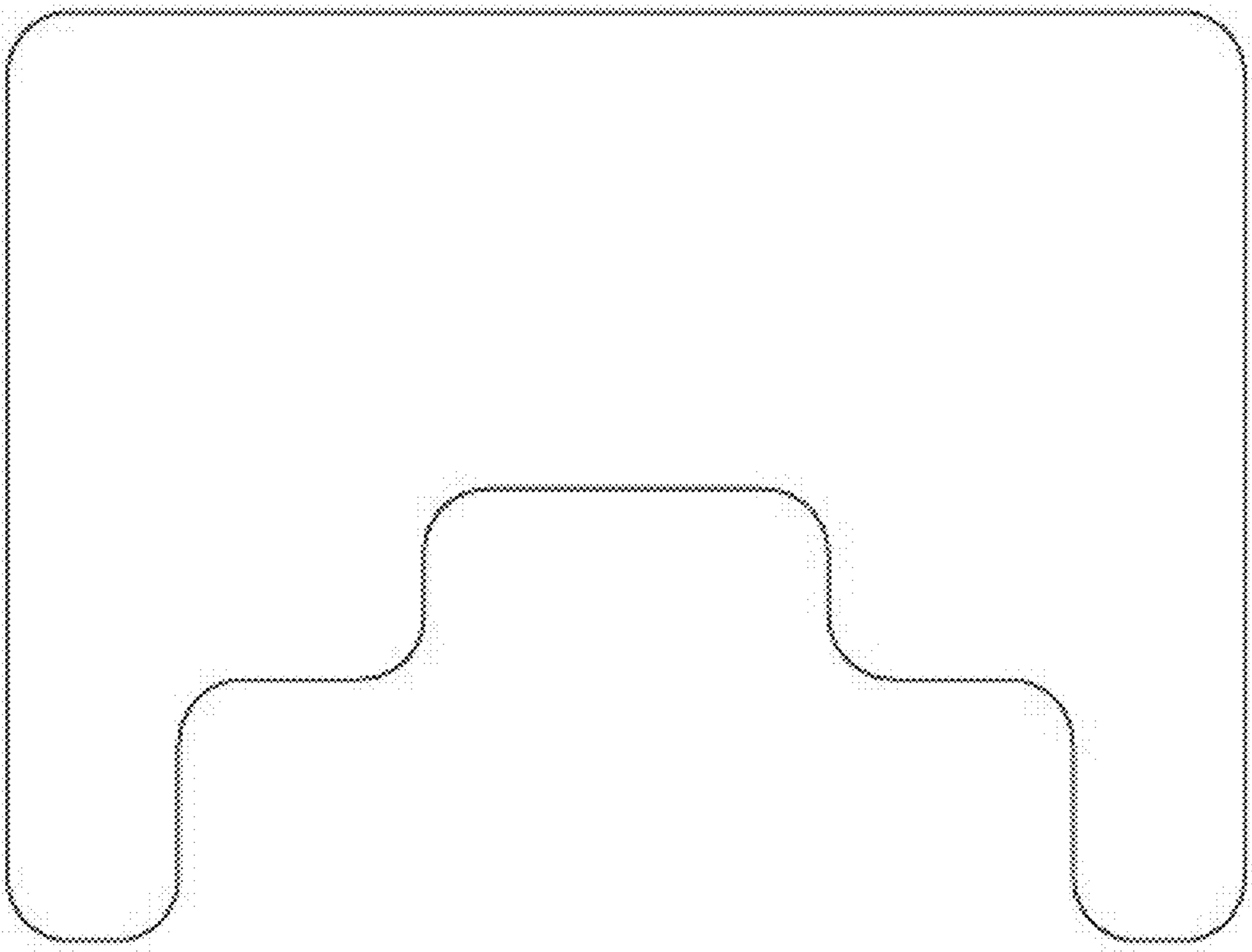


FIG. 6

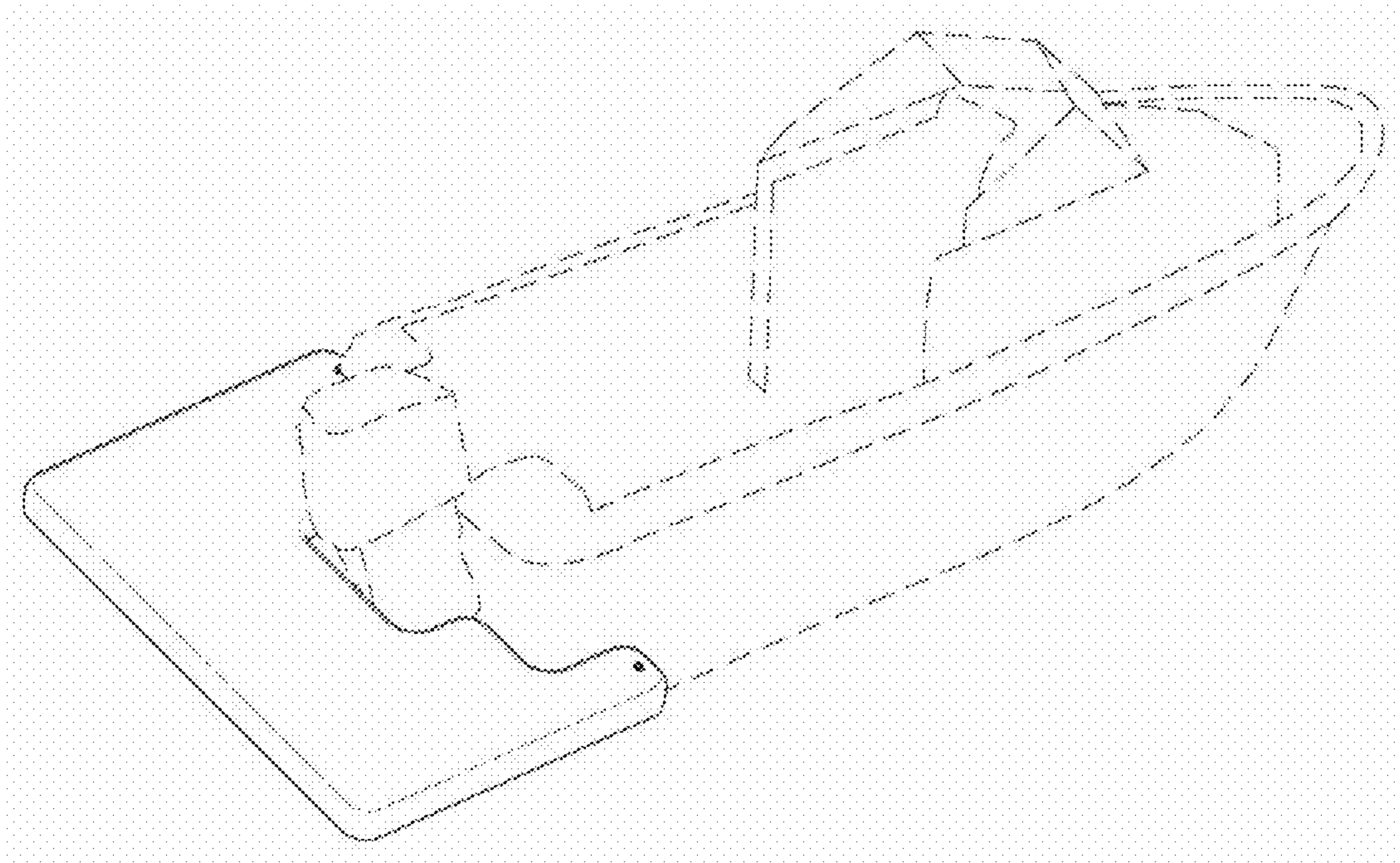


FIG. 7