



US00D742803S

(12) **United States Design Patent**
Kamsvåg

(10) **Patent No.:** **US D742,803 S**
(45) **Date of Patent:** **** Nov. 10, 2015**

- (54) **STERN OF SHIP HULL**
- (71) Applicant: **Ulstein Design & Solutions AS**,
Ulsteinvik (NO)
- (72) Inventor: **Øyvind Gjerde Kamsvåg**, Ulsteinvik
(NO)
- (73) Assignee: **Ulstein Design & Solutions AS**,
Ulsteinvik (NO)
- (**) Term: **14 Years**
- (21) Appl. No.: **29/487,691**
- (22) Filed: **Apr. 10, 2014**
- (30) **Foreign Application Priority Data**

Oct. 11, 2013 (NO) 20131017

- (51) **LOC (10) Cl.** **12-06**
- (52) **U.S. Cl.**
USPC **D12/317**
- (58) **Field of Classification Search**
USPC D12/300, 301, 304, 315, 317, 318;
D21/542, 543; 114/61.1, 61.31, 61.14,
114/72, 73, 258-262
CPC B63B 1/00; B63B 1/04; B63B 1/06;
B63B 1/08; B63B 1/10; B63B 1/38
See application file for complete search history.

(56) **References Cited**

U.S. PATENT DOCUMENTS

2,543,654 A 2/1951 Baggerud
3,443,544 A 5/1969 Begizov

(Continued)

FOREIGN PATENT DOCUMENTS

DE 19608415 9/1997
GB 1215530 12/1970

Primary Examiner — Cynthia M Chin

(74) *Attorney, Agent, or Firm* — Knobbe Martens Olson &
Bear LLP

(57) **CLAIM**

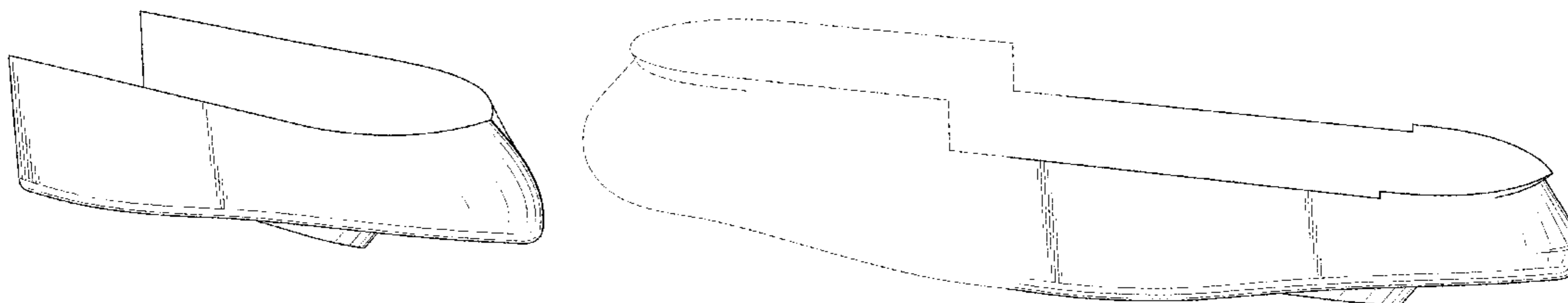
The ornamental design for a stern of a ship hull, as shown and
described.

DESCRIPTION

FIG. 1 is a top, front and side perspective view of a first
embodiment of a stern of a ship hull embodying the new
design.

FIG. 2 is a bottom, front and side perspective view thereof.
FIG. 3 is a first side view thereof, the second side being a
mirror image.
FIG. 4 is a bottom view thereof.
FIG. 5 is a front view thereof.
FIG. 6 is a top, front and side perspective view of a second
embodiment of a stern of a ship hull embodying the new
design.
FIG. 7 is a first side view thereof, the second side being a
mirror image.
FIG. 8 is a bottom view thereof.
FIG. 9 is a front view thereof.
FIG. 10 is a top, front and side perspective view of a third
embodiment of a stern of a ship hull embodying the new
design.
FIG. 11 is a first side view thereof, the second side being a
mirror image.
FIG. 12 is a bottom view thereof.
FIG. 13 is a front view thereof.
FIG. 14 is a top, front and side perspective view of a fourth
embodiment of a stern of a ship hull embodying the new
design.
FIG. 15 is a first side view thereof, the second side being a
mirror image.
FIG. 16 is a bottom view thereof.
FIG. 17 is a front view thereof.
FIG. 18 is a top, front and side perspective view of a fifth
embodiment of a stern of a ship hull embodying the new
design.
FIG. 19 is a first side view thereof, the second side being a
mirror image.
FIG. 20 is a bottom view thereof.
FIG. 21 is a front view thereof.
FIG. 22 is a top, front and side perspective view of a sixth
embodiment of a stern of a ship hull embodying the new
design.
FIG. 23 is a first side view thereof, the second side being a
mirror image.
FIG. 24 is a bottom view thereof; and,
FIG. 25 is a front view thereof.
Broken lines are used to illustrate features of the stern of a
ship hull which form no part of the claimed design. The
interior of the stern is not seen in use and its appearance is not
claimed.

1 Claim, 17 Drawing Sheets



(56)

References Cited

U.S. PATENT DOCUMENTS

3,511,203 A 5/1970 Buyscoll
 3,521,590 A 7/1970 German et al.
 3,530,814 A * 9/1970 Begunkov B63B 35/08
 114/40
 RE26,997 E 12/1970 Eckert
 D221,406 S * 8/1971 Kimon et al. 114/41
 3,653,352 A 4/1972 Tomiyama et al.
 5,176,092 A * 1/1993 Czimmek B63B 35/08
 114/40
 D348,647 S 7/1994 Hull et al.

D358,361 S 5/1995 Lewis
 D536,657 S * 2/2007 Rohden D12/300
 D555,570 S 11/2007 Kamsvåg
 D580,844 S * 11/2008 Rohden D12/300
 7,658,159 B2 2/2010 Kamsvåg
 D657,729 S * 4/2012 Kleven D12/300
 8,726,823 B2 * 5/2014 Kristinsson B63B 1/20
 114/291
 D714,714 S * 10/2014 Teige D12/317
 D717,712 S * 11/2014 Teige D12/300
 D720,279 S * 12/2014 van der Harst D12/315
 2003/0089290 A1 5/2003 Van Diepen

* cited by examiner

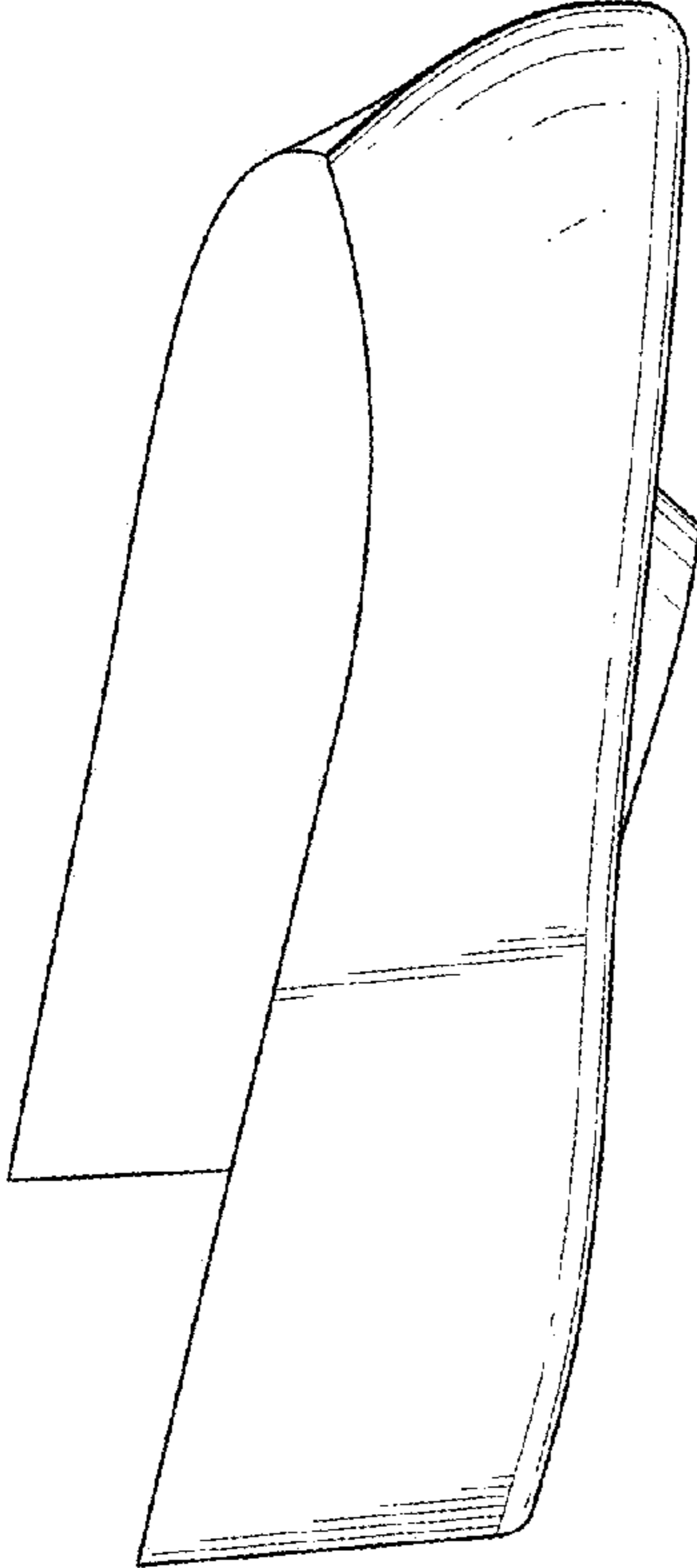


FIG. 1

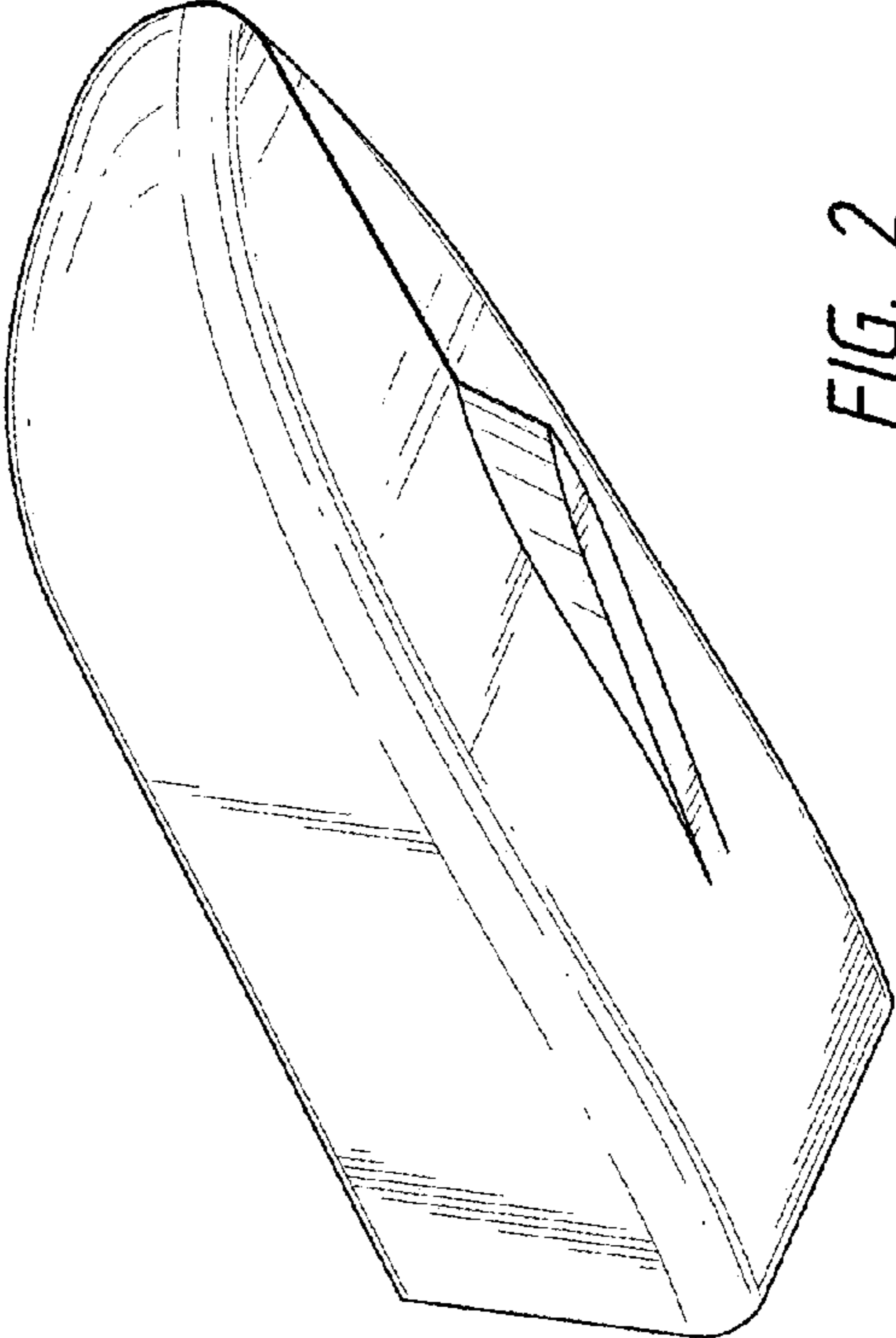


FIG. 2

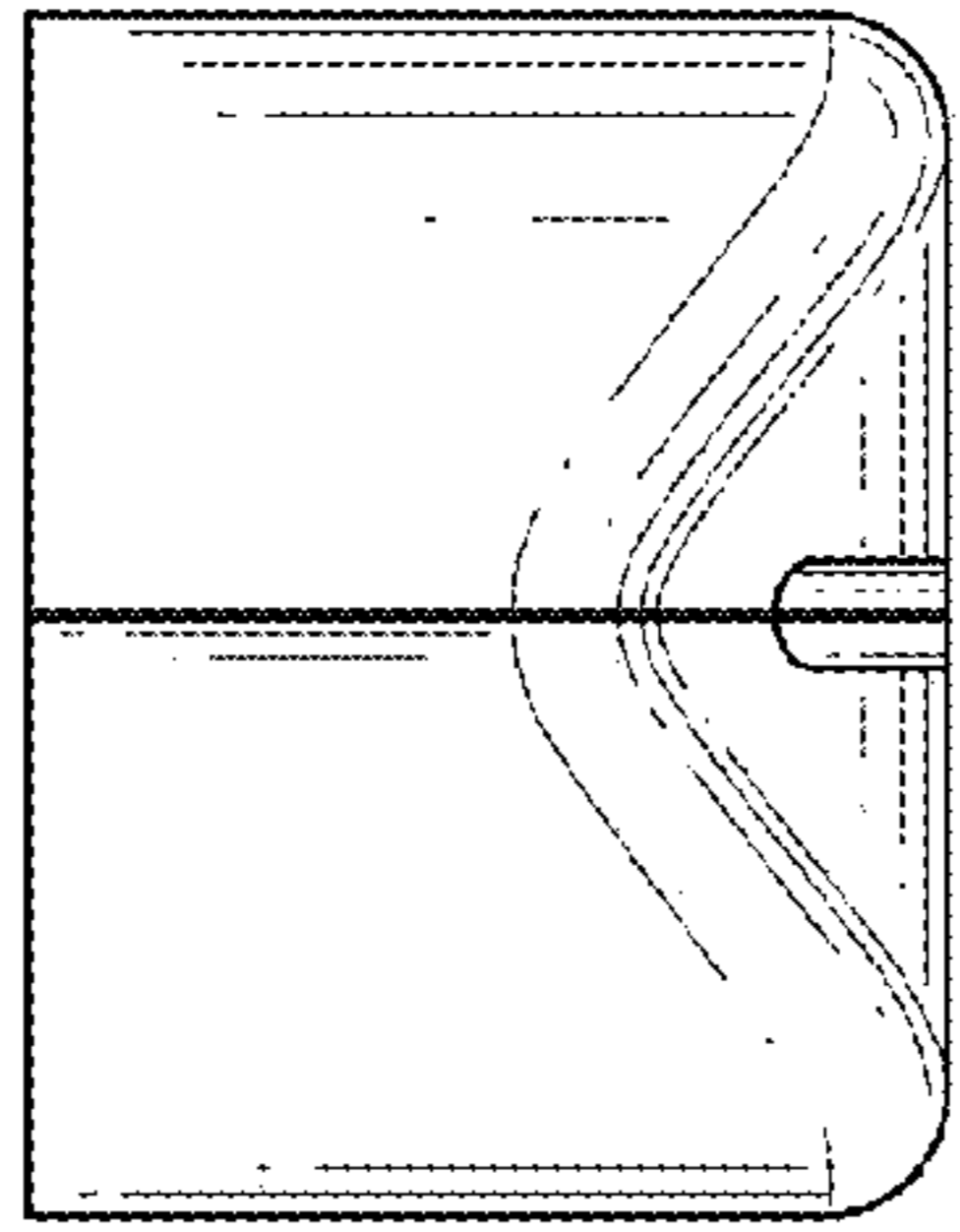


FIG. 5

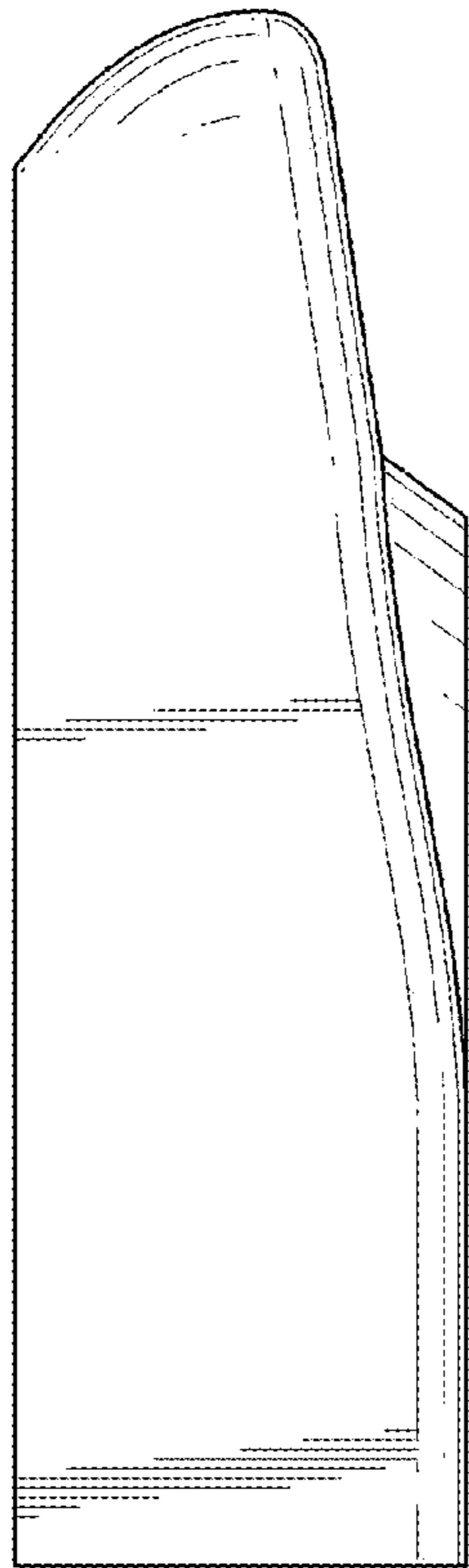


FIG. 3

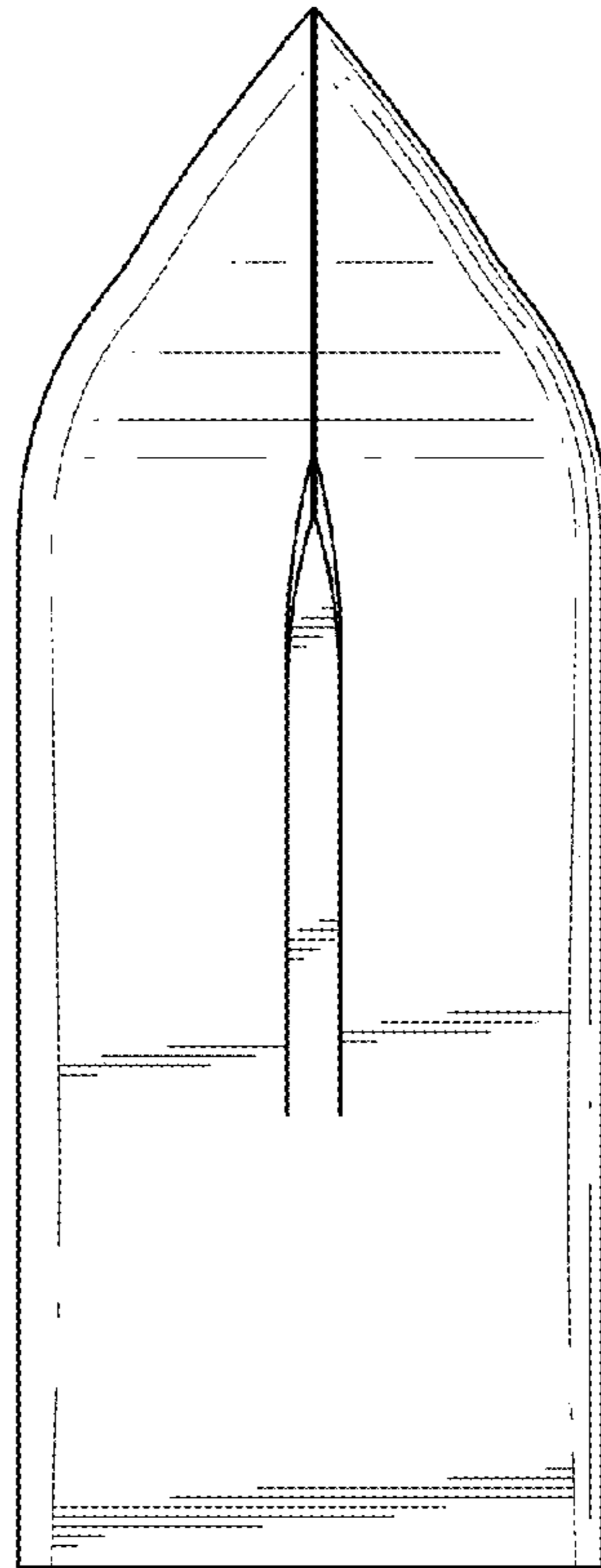


FIG. 4

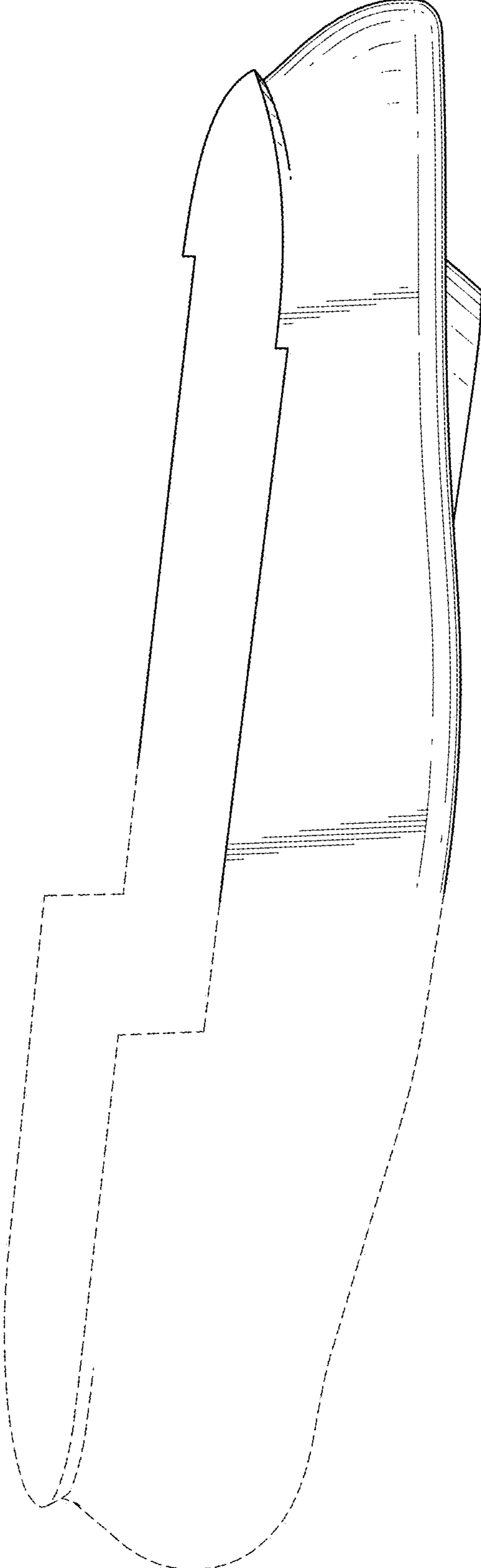


FIG. 6

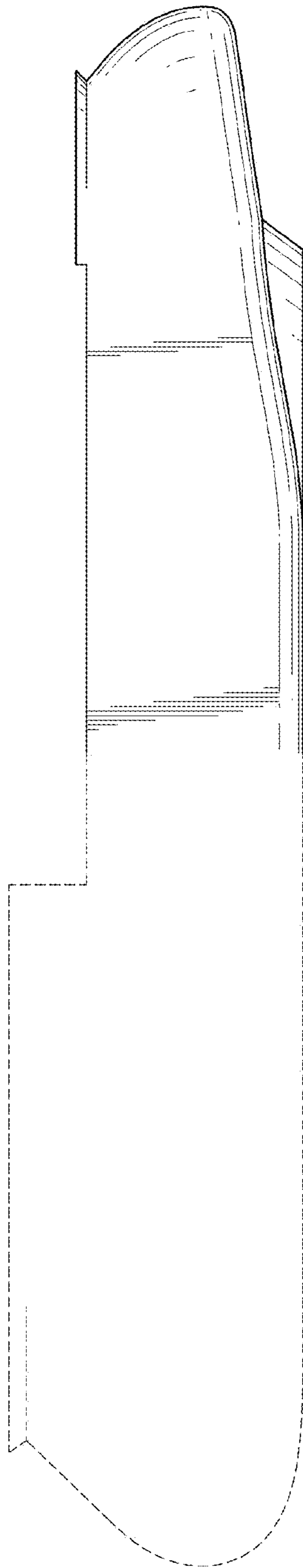


FIG. 7

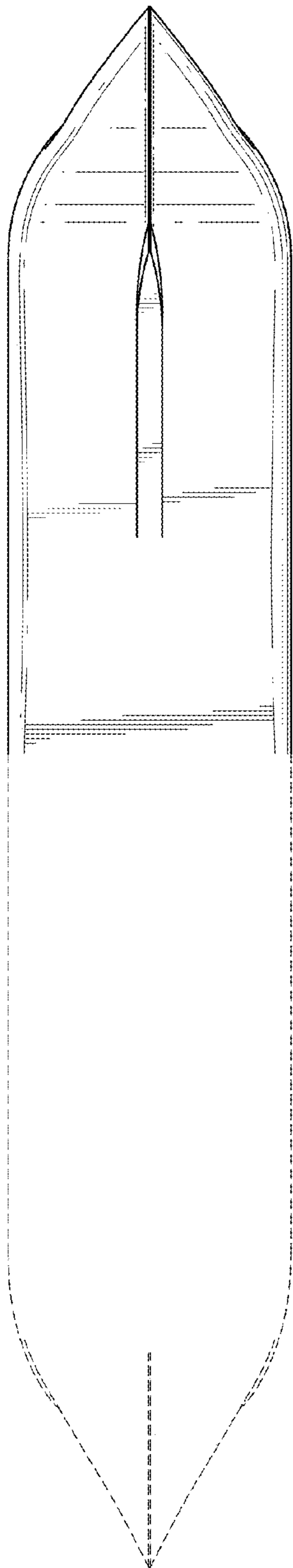


FIG. 8

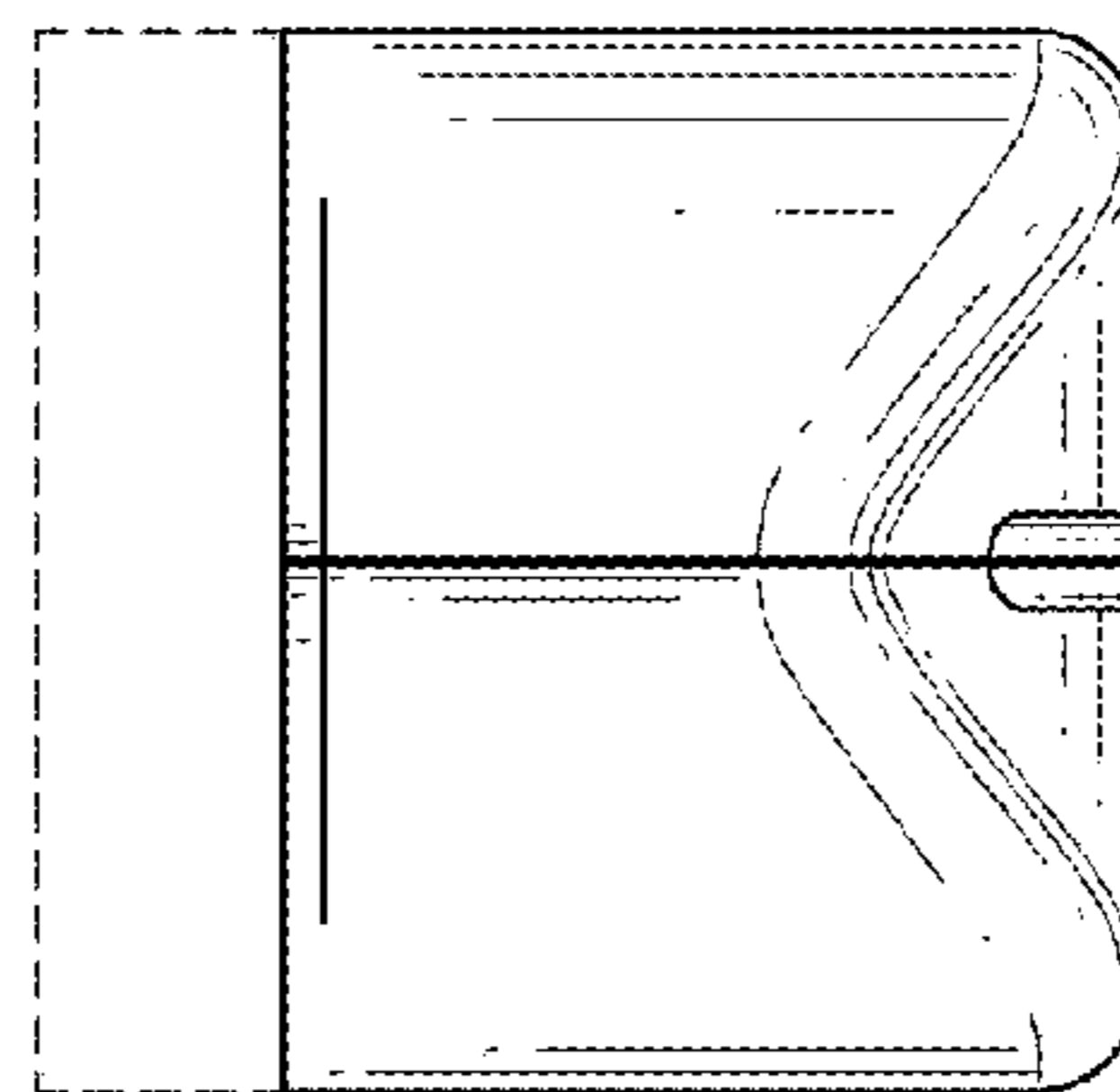


FIG. 9

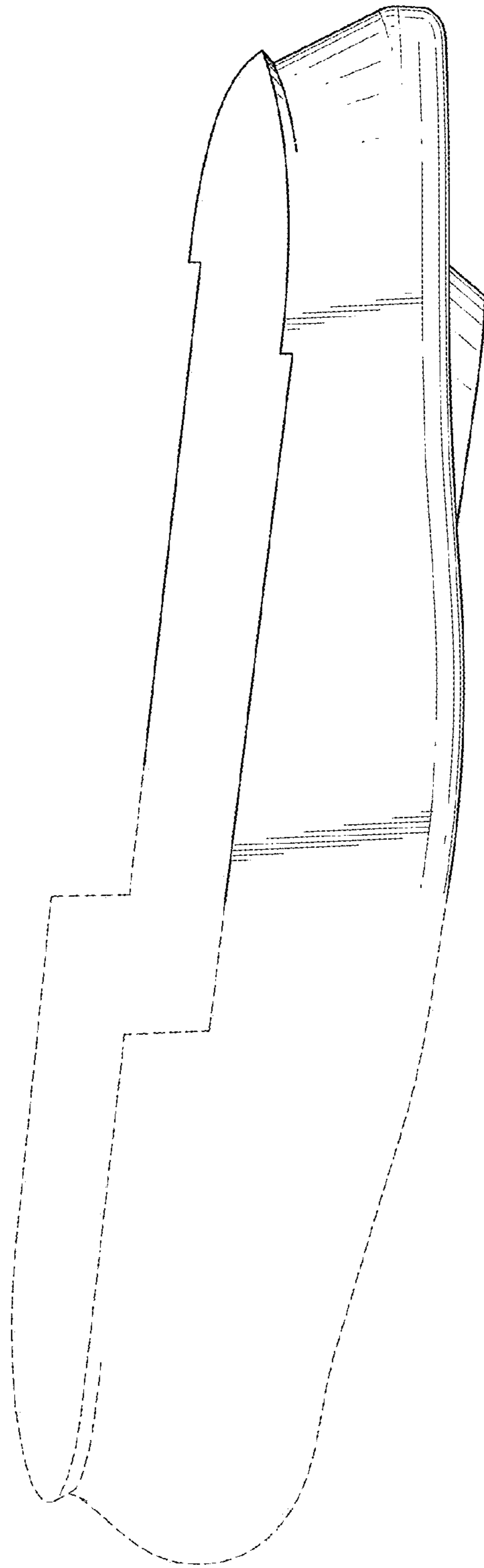


FIG. 10

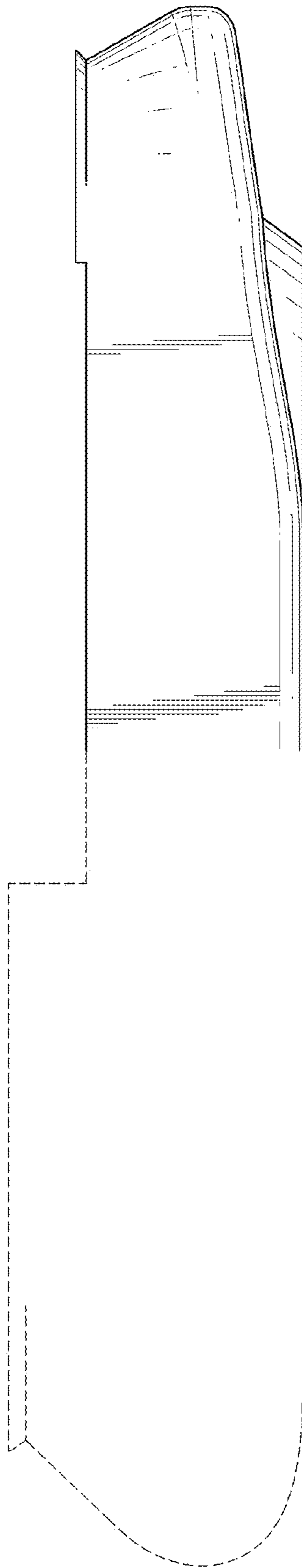


FIG. 11

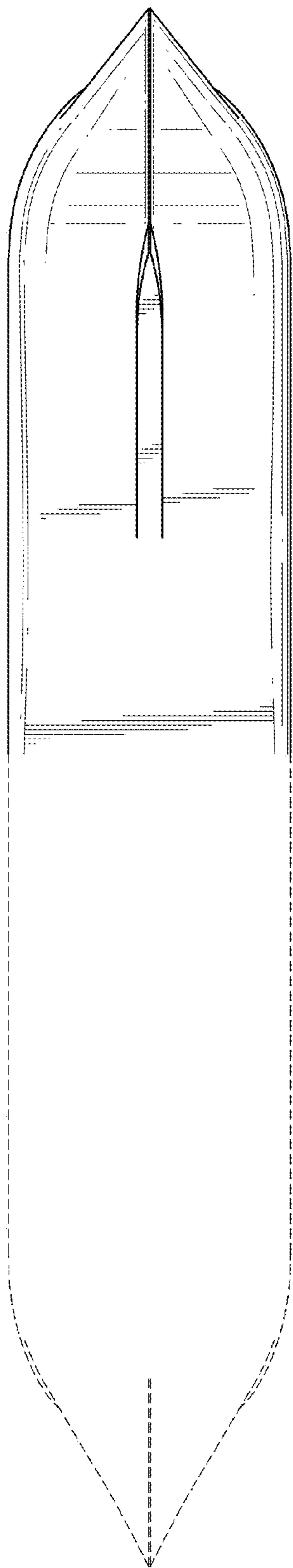


FIG. 12

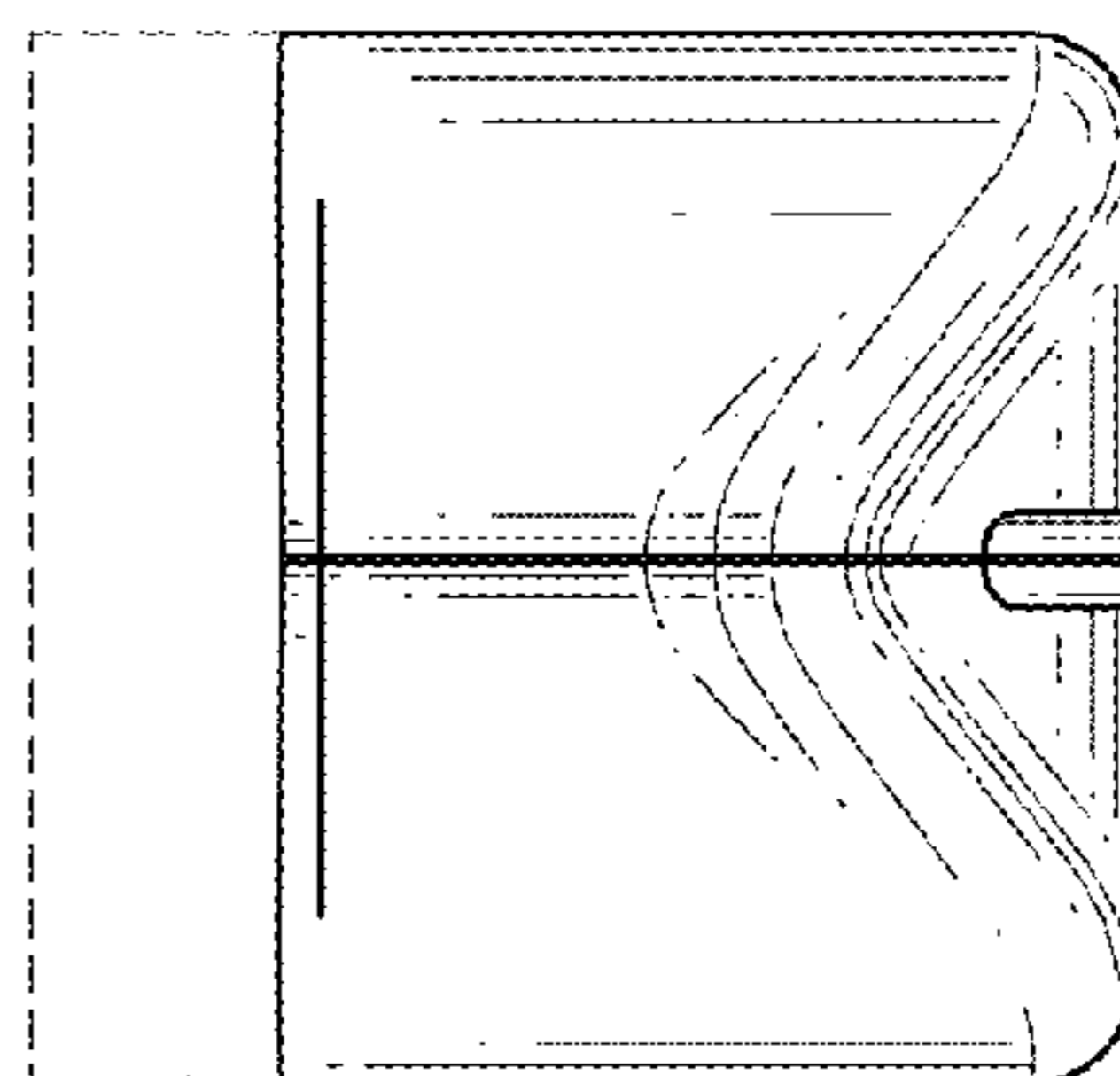


FIG. 13

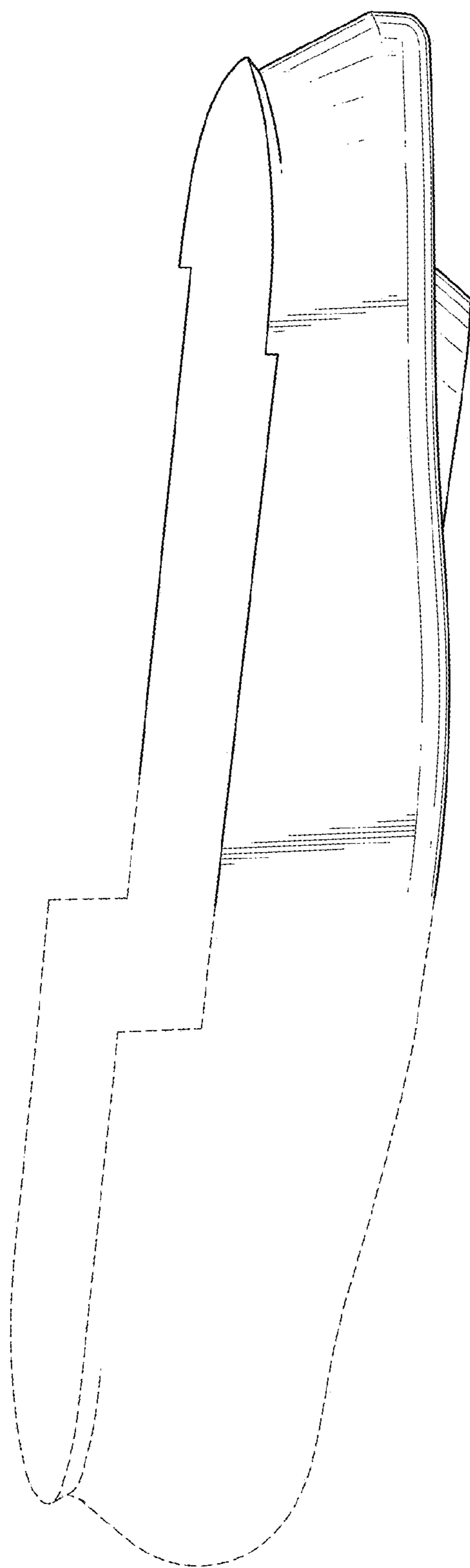


FIG. 14

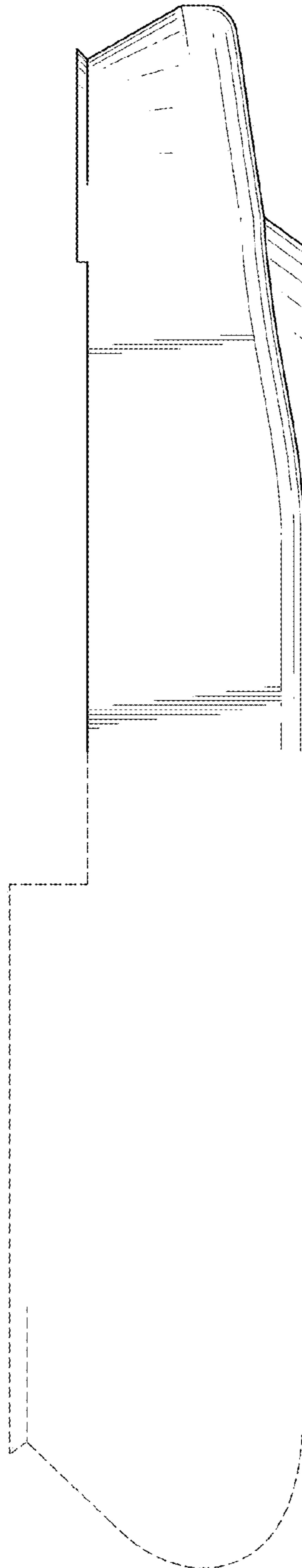


FIG. 15

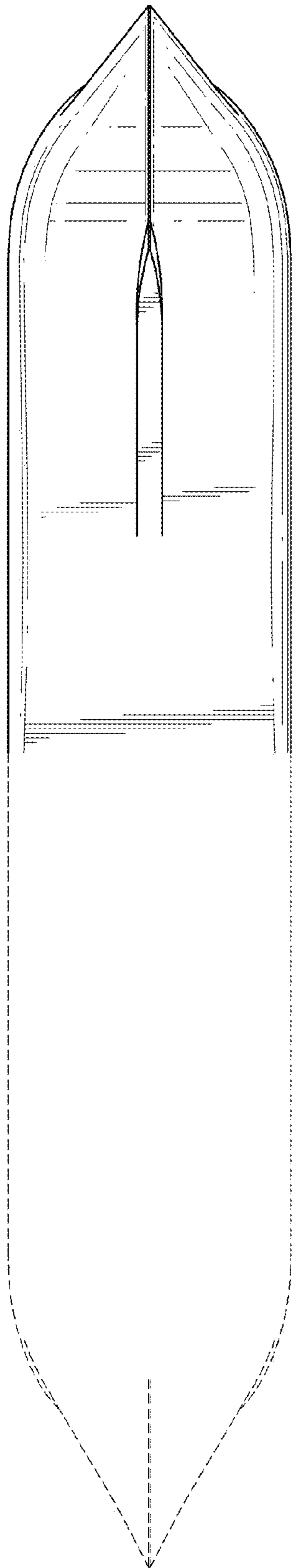


FIG. 16

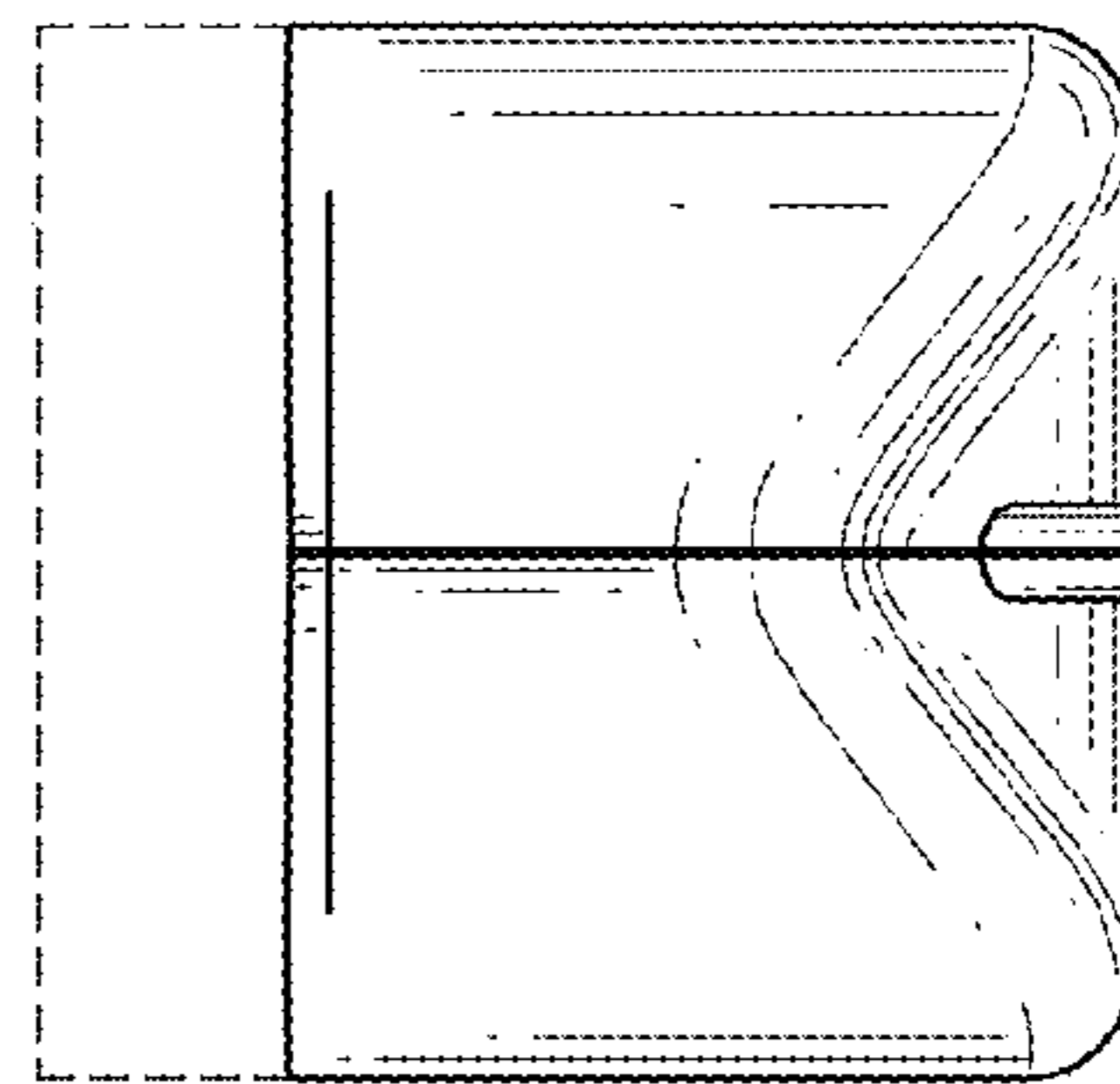


FIG. 17

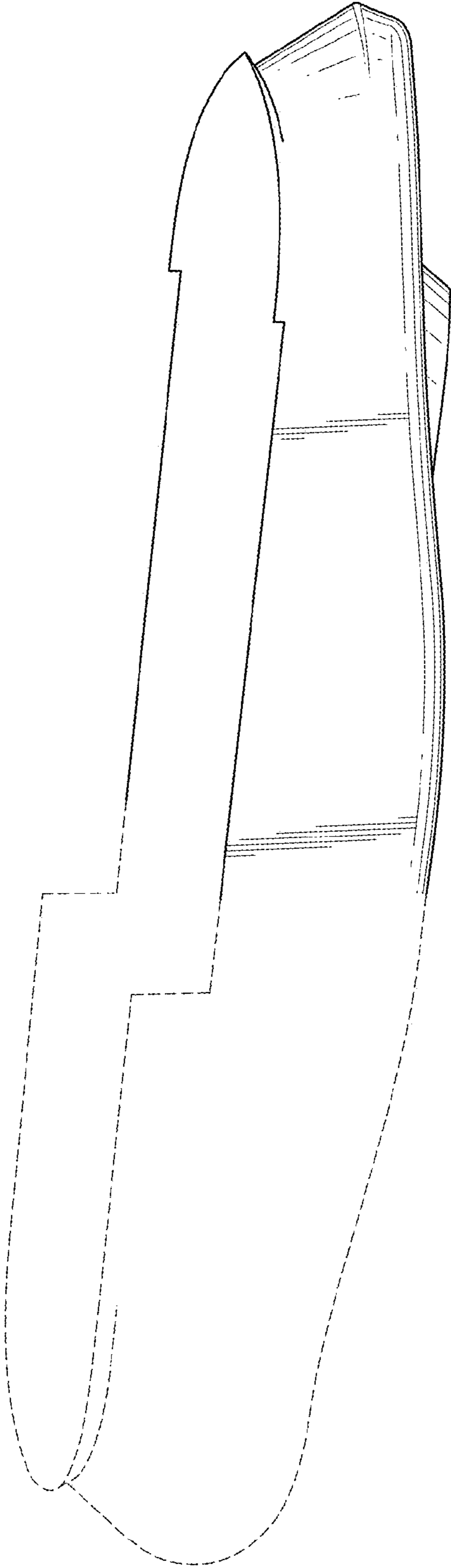


FIG. 18

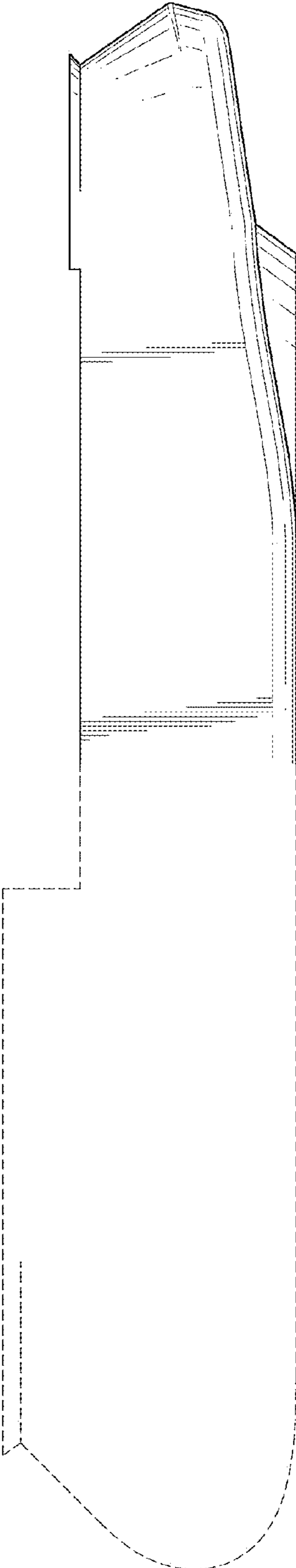


FIG. 19

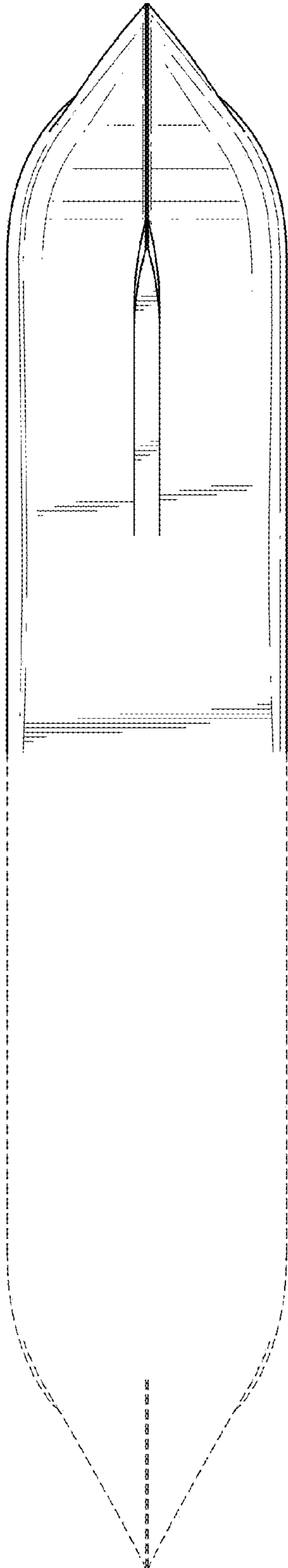


FIG. 20

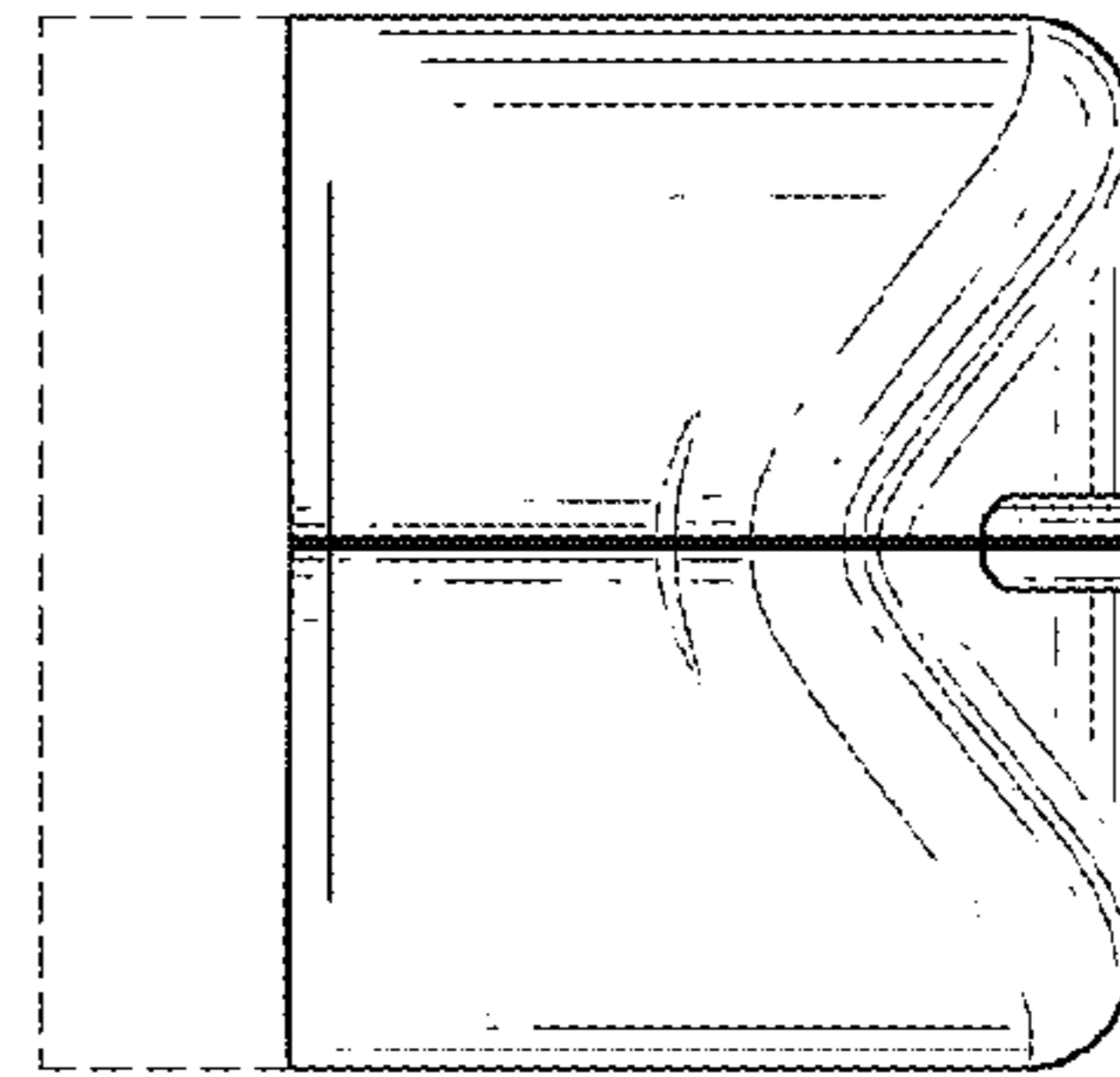


FIG. 21

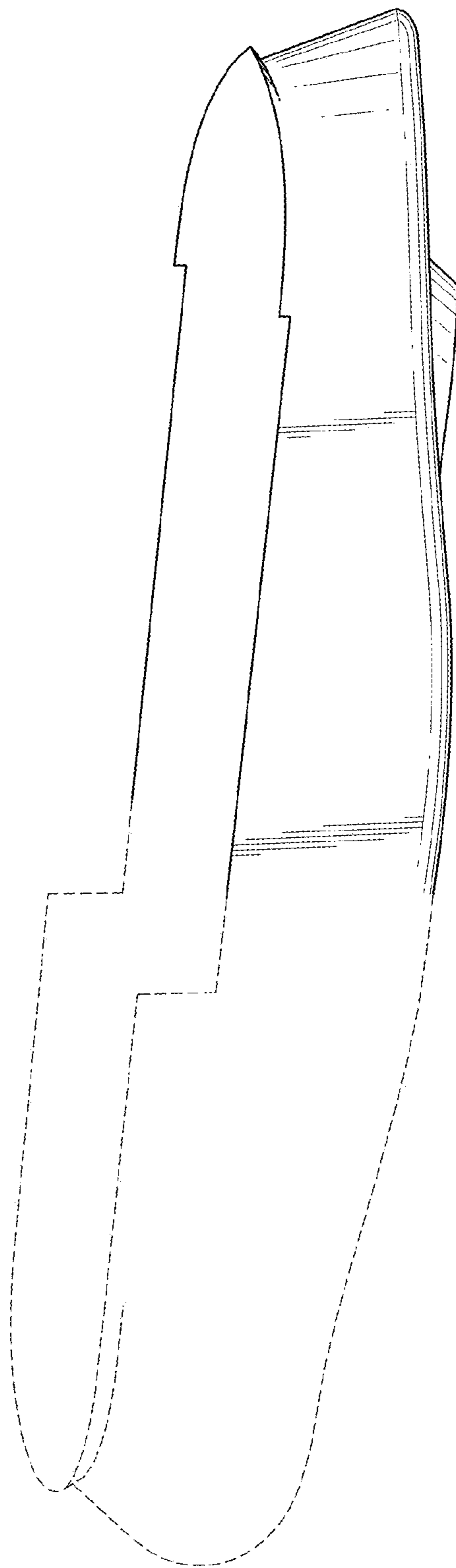


FIG. 22

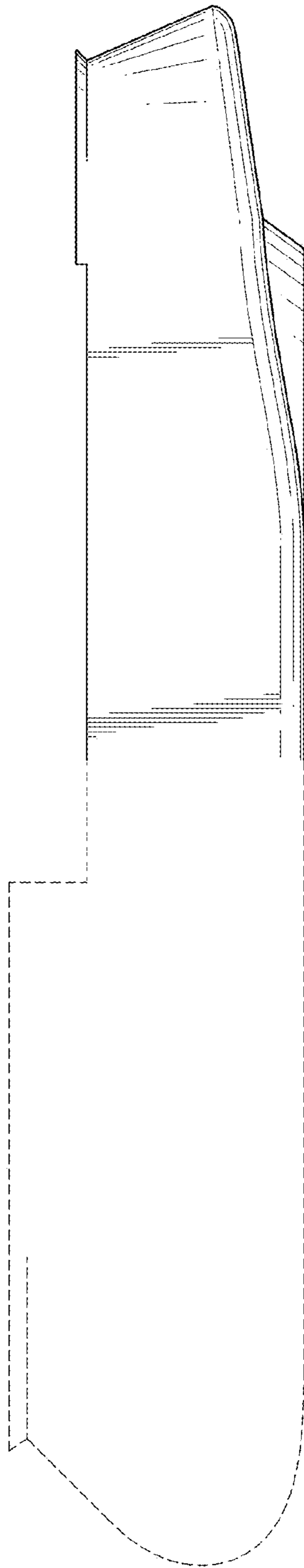


FIG. 23

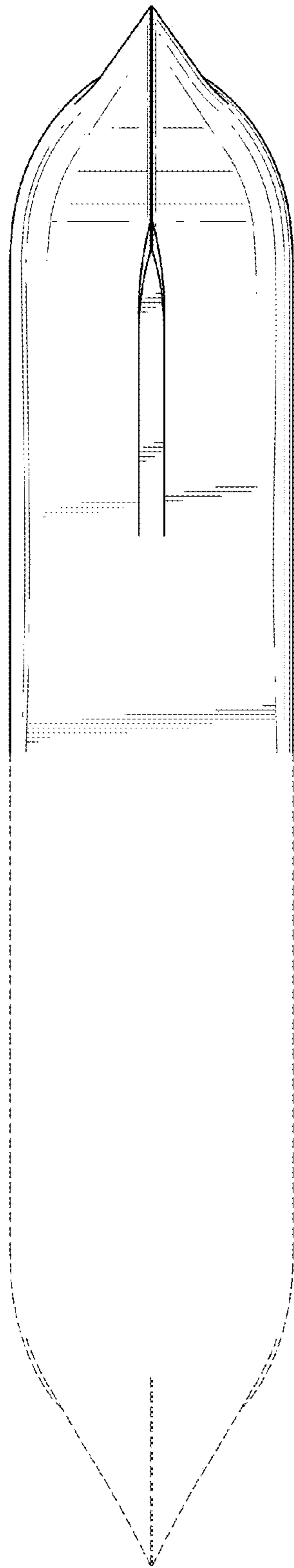


FIG. 24

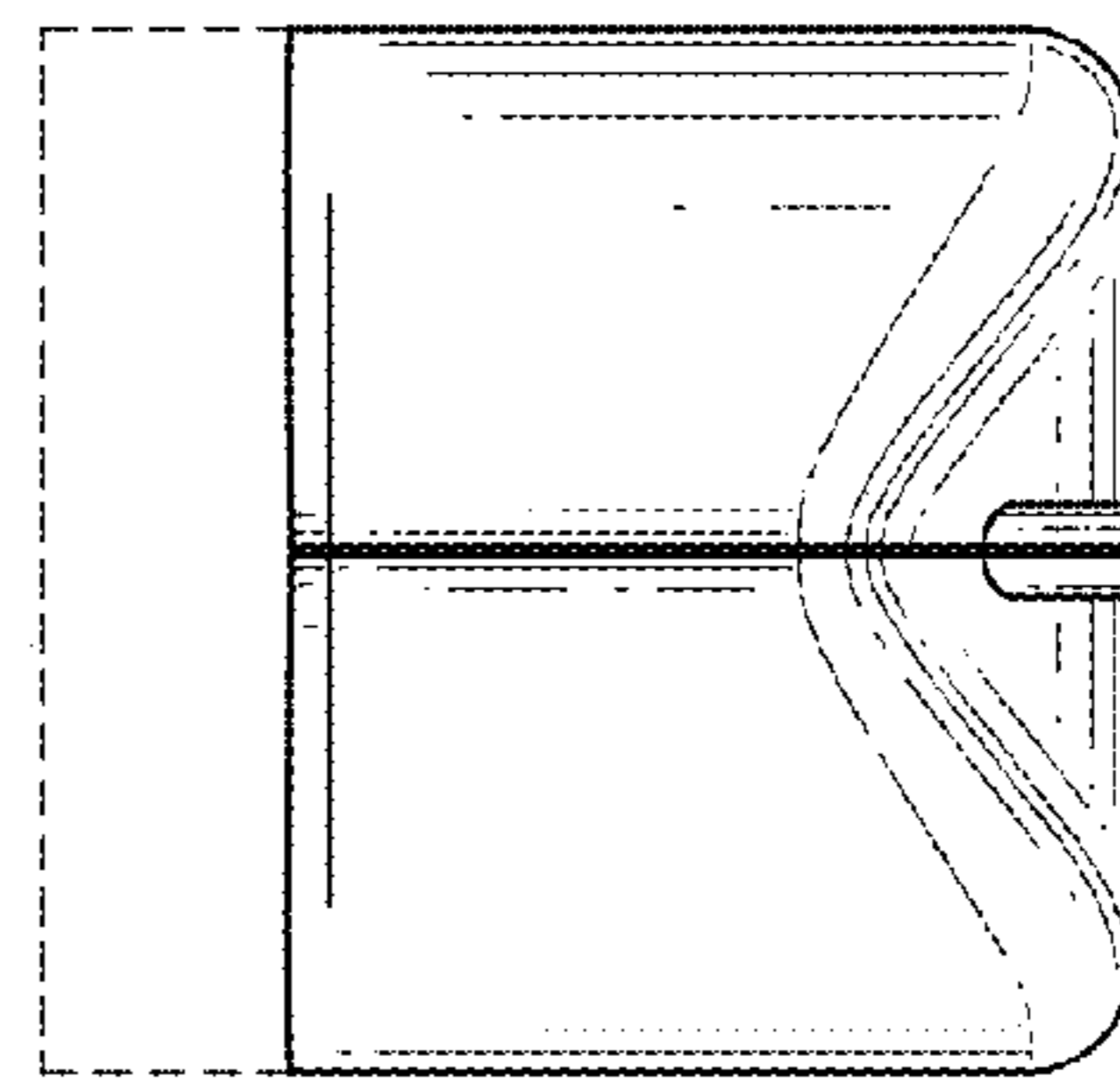


FIG. 25