



US00D742799S

(12) **United States Design Patent**  
**Zhao**

(10) **Patent No.:** **US D742,799 S**  
(45) **Date of Patent:** **\*\* Nov. 10, 2015**

(54) **AUTOMOBILE WHEEL**

(71) Applicant: **WAH HUNG GROUP INC.**, Monterey Park, CA (US)

(72) Inventor: **John Zhao**, Monterey Park, CA (US)

(73) Assignee: **Wah Hung Group Inc.**, Monterey Park, CA (US)

(\*\*) Term: **14 Years**

(21) Appl. No.: **29/506,301**

(22) Filed: **Oct. 14, 2014**

(51) **LOC (10) Cl.** ..... **12-16**

(52) **U.S. Cl.**  
USPC ..... **D12/211**

(58) **Field of Classification Search**  
USPC ..... D12/204–213  
CPC ..... B60B 7/00; B60B 7/02; B60B 7/04;  
B60B 7/01; B60B 7/06; B60B 3/02; B60B  
3/04; B60B 3/06; B60B 3/10; B60B 1/00;  
B60B 1/08; B60B 1/10; B60B 1/12  
See application file for complete search history.

(56) **References Cited**

**U.S. PATENT DOCUMENTS**

D416,848 S \* 11/1999 Bernoni ..... D12/209  
D439,212 S \* 3/2001 Neeper ..... D12/211  
D459,690 S \* 7/2002 Bintoro ..... D12/211  
D461,440 S \* 8/2002 Koch ..... D12/211  
D480,038 S \* 9/2003 Oh ..... D12/211  
D487,242 S \* 3/2004 Lecher ..... D12/211  
D510,719 S \* 10/2005 Noble ..... D12/211

D515,996 S \* 2/2006 Baumgartner ..... D12/209  
D535,240 S \* 1/2007 Chang ..... D12/211  
D555,568 S \* 11/2007 Hetrick ..... D12/211  
D597,013 S \* 7/2009 Chung ..... D12/211  
D597,917 S \* 8/2009 Chung ..... D12/209  
D603,778 S \* 11/2009 Chung ..... D12/211  
D638,767 S \* 5/2011 Groom ..... D12/211  
D662,868 S \* 7/2012 Furst ..... D12/209  
D675,973 S \* 2/2013 Lee ..... D12/211  
D714,705 S \* 10/2014 Kong ..... D12/211  
D716,712 S \* 11/2014 Lemke ..... D12/211  
D722,545 S \* 2/2015 Chung ..... D12/209  
D725,020 S \* 3/2015 Kim ..... D12/211

**OTHER PUBLICATIONS**

Search Results for IN/ernie and IN/alfonso on Uspto.Gov on Dec. 21, 2014.

Search results of IN/john and TTL/wheel and IN/zhao on Dec. 19, 2014 on uspto.gov.

\* cited by examiner

*Primary Examiner* — Stacia Cadmus

(74) *Attorney, Agent, or Firm* — Payam Moradian

(57) **CLAIM**

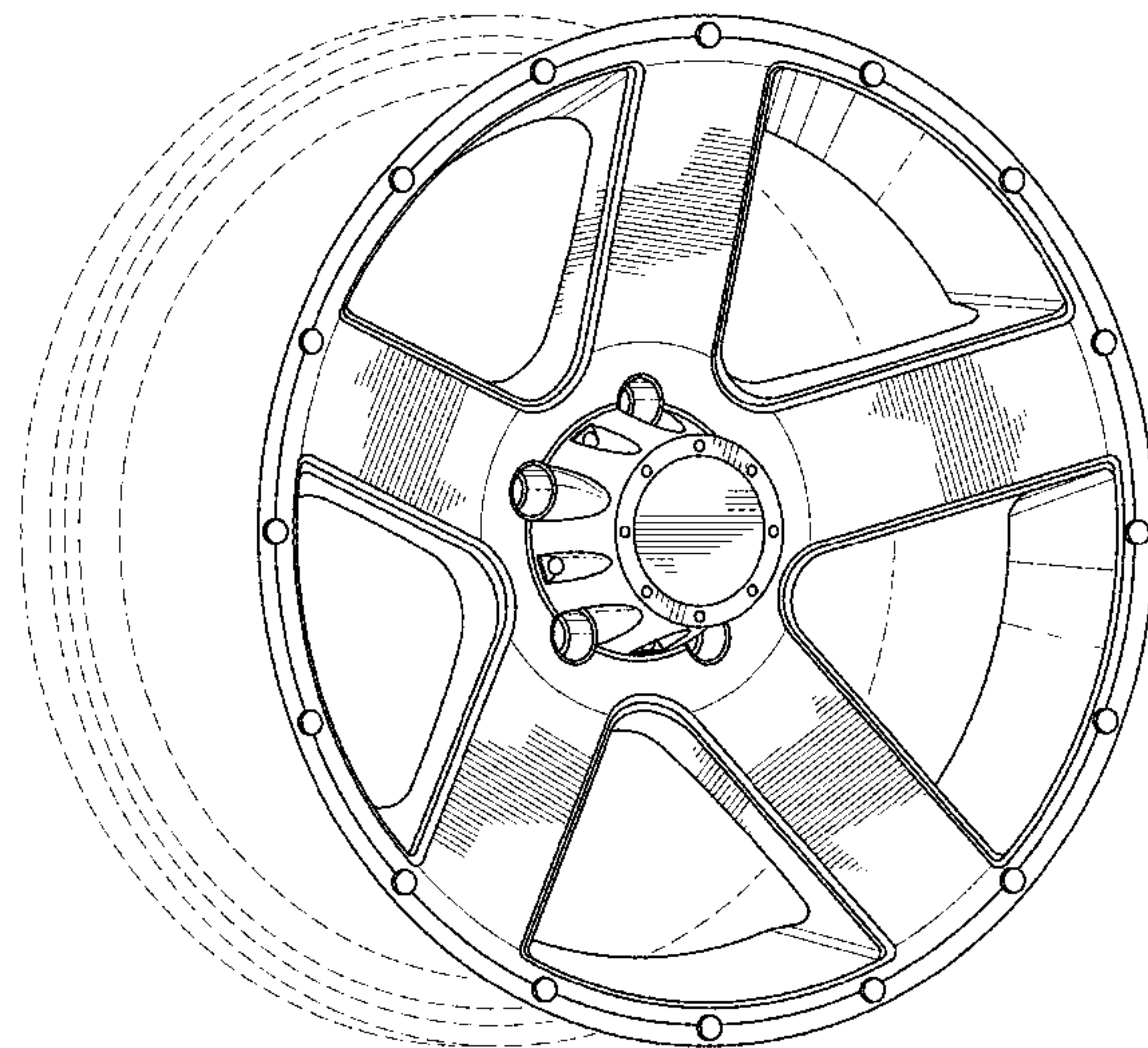
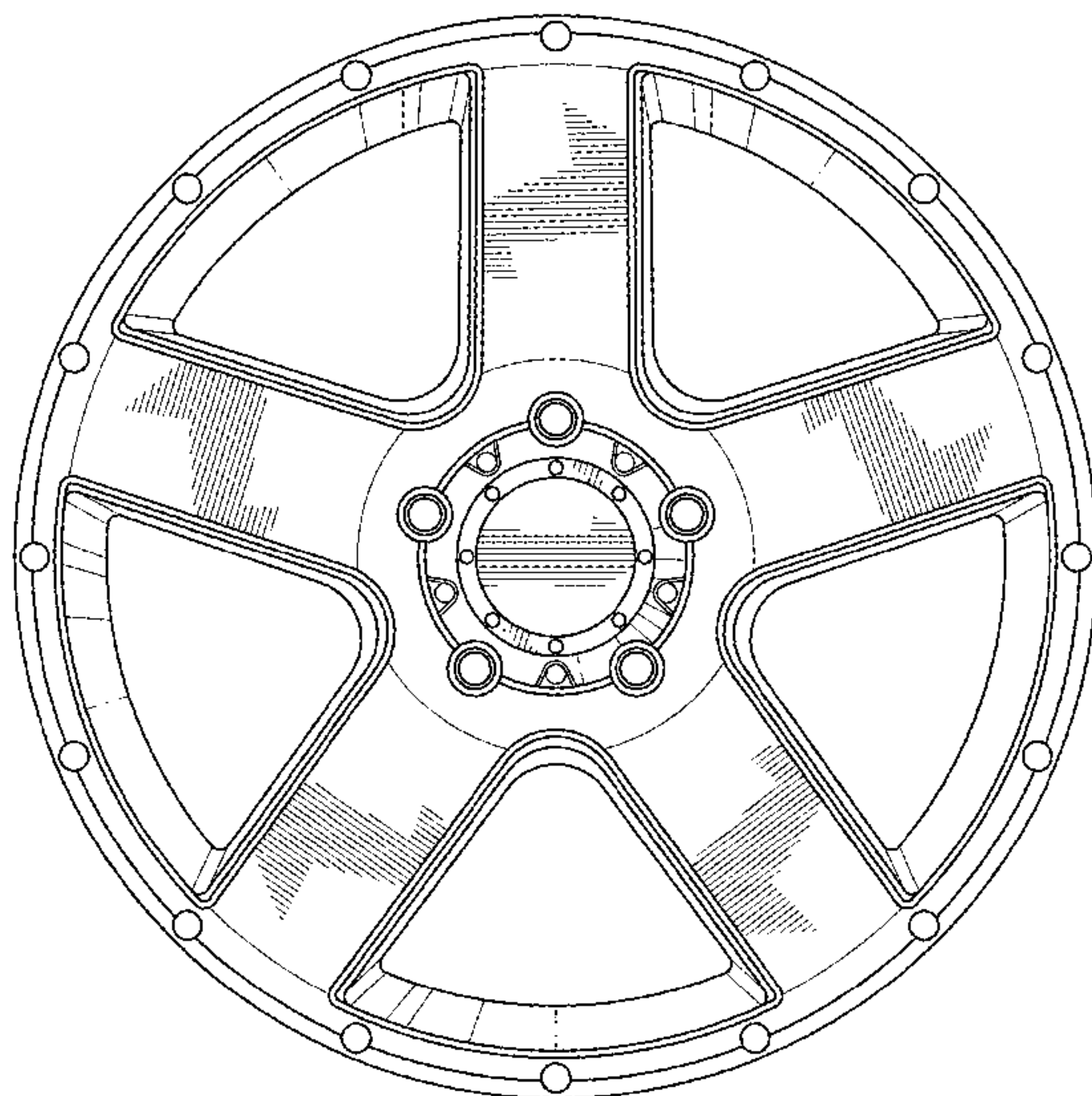
I claim the ornamental design for an automobile wheel, as shown and described.

**DESCRIPTION**

FIG. 1 is a front elevational view of an automobile wheel; and, FIG. 2 is a perspective view thereof.

The broken line showing of the rear of the wheel depicts environmental subject matter and forms no part of the claimed design.

**1 Claim, 2 Drawing Sheets**



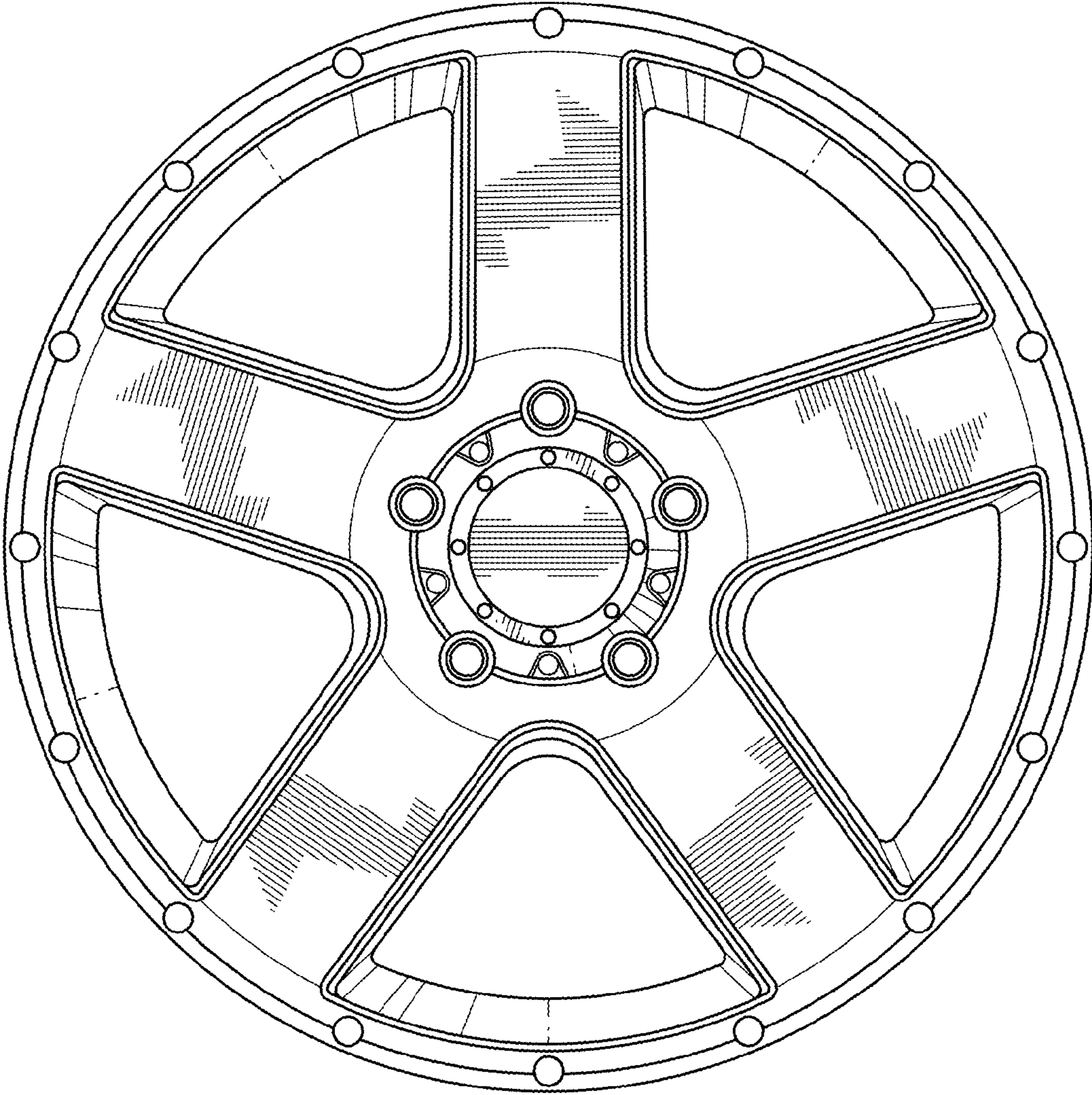


FIG. 1



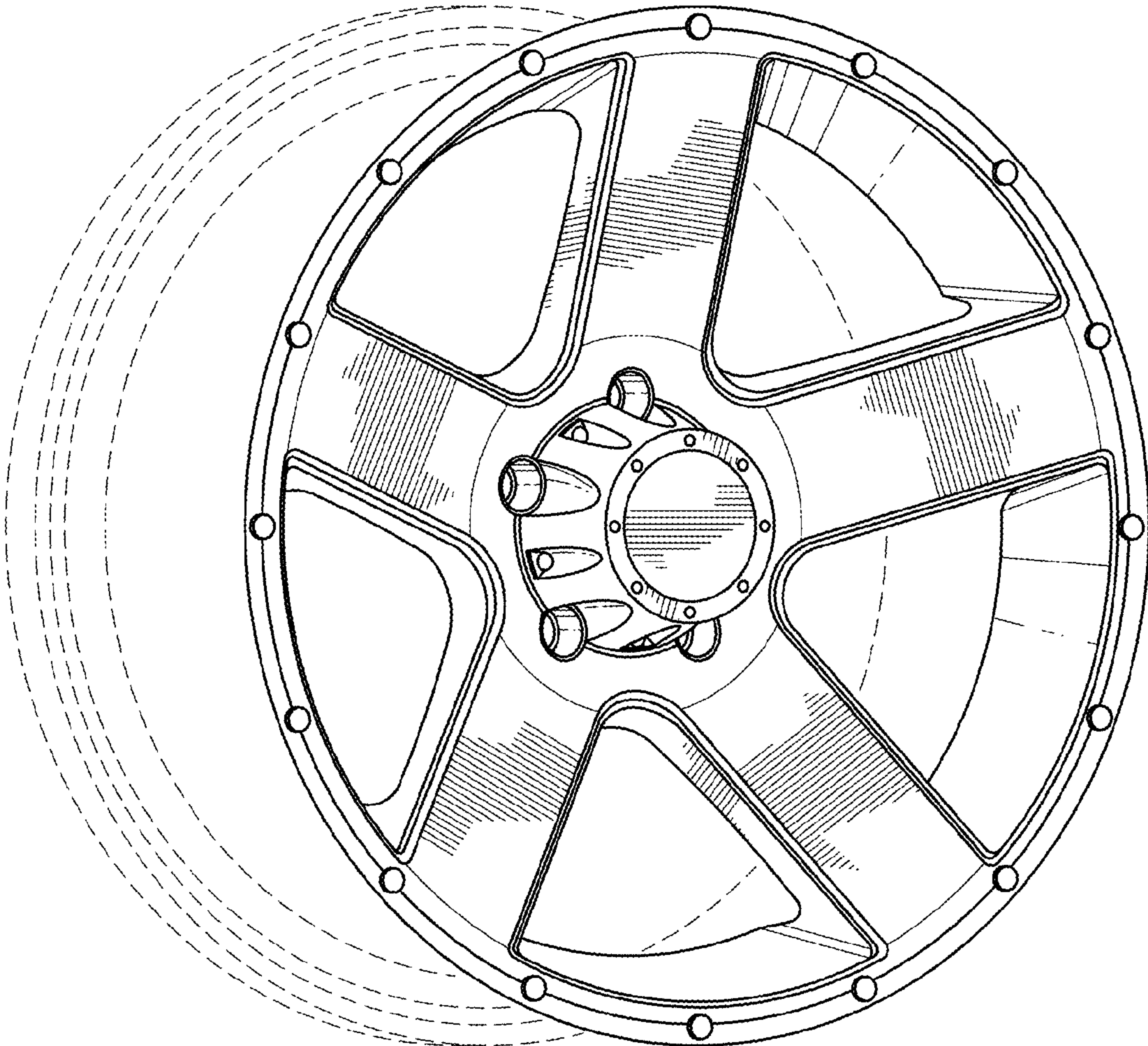


FIG. 2