



US00D742795S

(12) **United States Design Patent**  
**Siao et al.**

(10) **Patent No.:** **US D742,795 S**

(45) **Date of Patent:** **\*\* Nov. 10, 2015**

(54) **DASHBOARD FOR ELECTRIC SCOOTERS**

(71) Applicant: **KWANG YANG MOTOR CO., LTD.**,  
Kaosiung (TW)

(72) Inventors: **Bo-Wun Siao**, Kaohsiung (TW);  
**Chieh-Mao Chang**, Kaohsiung (TW)

(73) Assignee: **Kwang Yang Motor Co., Ltd.**,  
Kaohsiung (TW)

(\*\*) Term: **14 Years**

(21) Appl. No.: **29/464,644**

(22) Filed: **Aug. 20, 2013**

(51) **LOC (10) Cl.** ..... **12-12**

(52) **U.S. Cl.**  
USPC ..... **D12/133**

(58) **Field of Classification Search**  
USPC ..... D12/128-133; 280/62, 647-650, 29,  
280/200, 47.38, 250.1, 259, 642, 658;  
296/65.03, 65.04; 224/409  
See application file for complete search history.

(56) **References Cited**

**U.S. PATENT DOCUMENTS**

D329,030 S \* 9/1992 Myers ..... D12/133  
D489,296 S \* 5/2004 Tsai ..... D12/131

D489,653 S \* 5/2004 Tsai ..... D12/131  
D509,775 S \* 9/2005 Chen ..... D12/131  
D513,720 S \* 1/2006 Etzioni et al. .... D12/131  
D517,456 S \* 3/2006 Wu et al. .... D12/131  
D525,569 S \* 7/2006 Azuma et al. .... D12/133  
D556,647 S \* 12/2007 Yamagishi ..... D12/131  
D561,651 S \* 2/2008 Yamagishi ..... D12/131

\* cited by examiner

*Primary Examiner* — Susan Bennett Hattan

*Assistant Examiner* — Charles Hanson

(74) *Attorney, Agent, or Firm* — Leong C. Lei

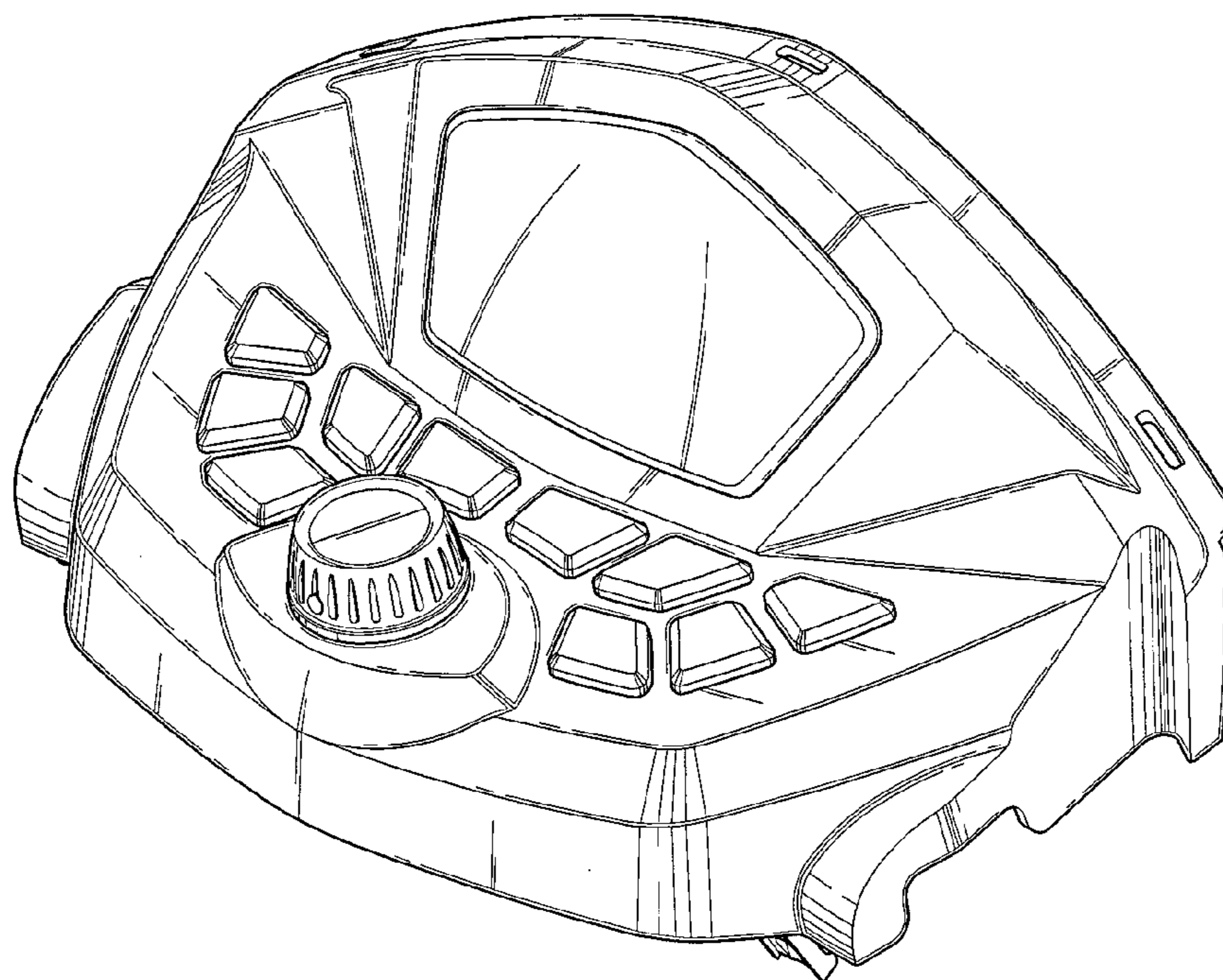
(57) **CLAIM**

The ornamental design for a dashboard for electric scooters,  
as shown and described.

**DESCRIPTION**

FIG. 1 is a perspective view of a dashboard for electric scooters showing my new design;  
FIG. 2 is a front elevational view thereof;  
FIG. 3 is a rear elevational view thereof;  
FIG. 4 is a left side elevational view thereof;  
FIG. 5 is a right side elevational view thereof;  
FIG. 6 is a top plan view thereof; and,  
FIG. 7 is a bottom plan view thereof.

**1 Claim, 7 Drawing Sheets**



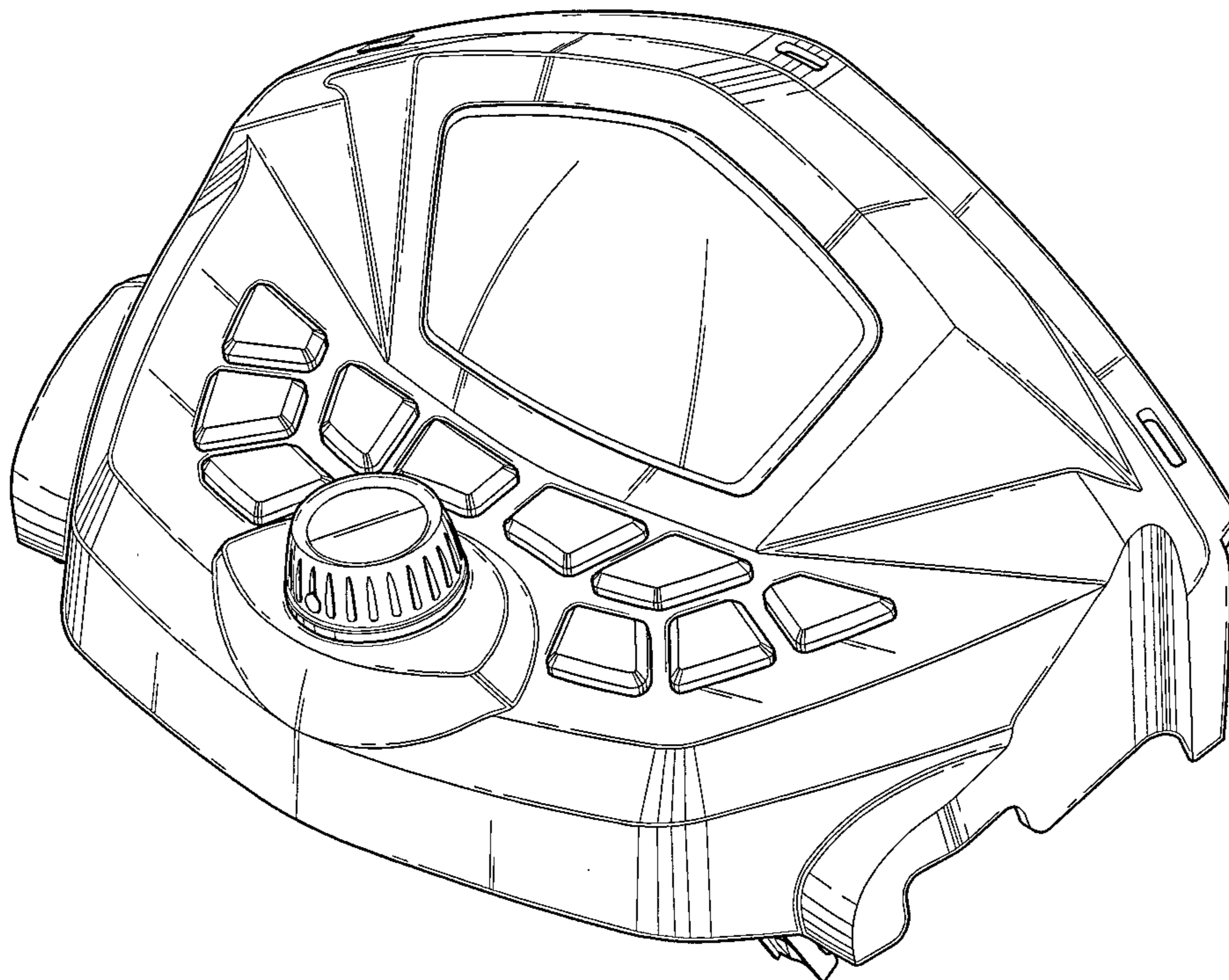


FIG.1

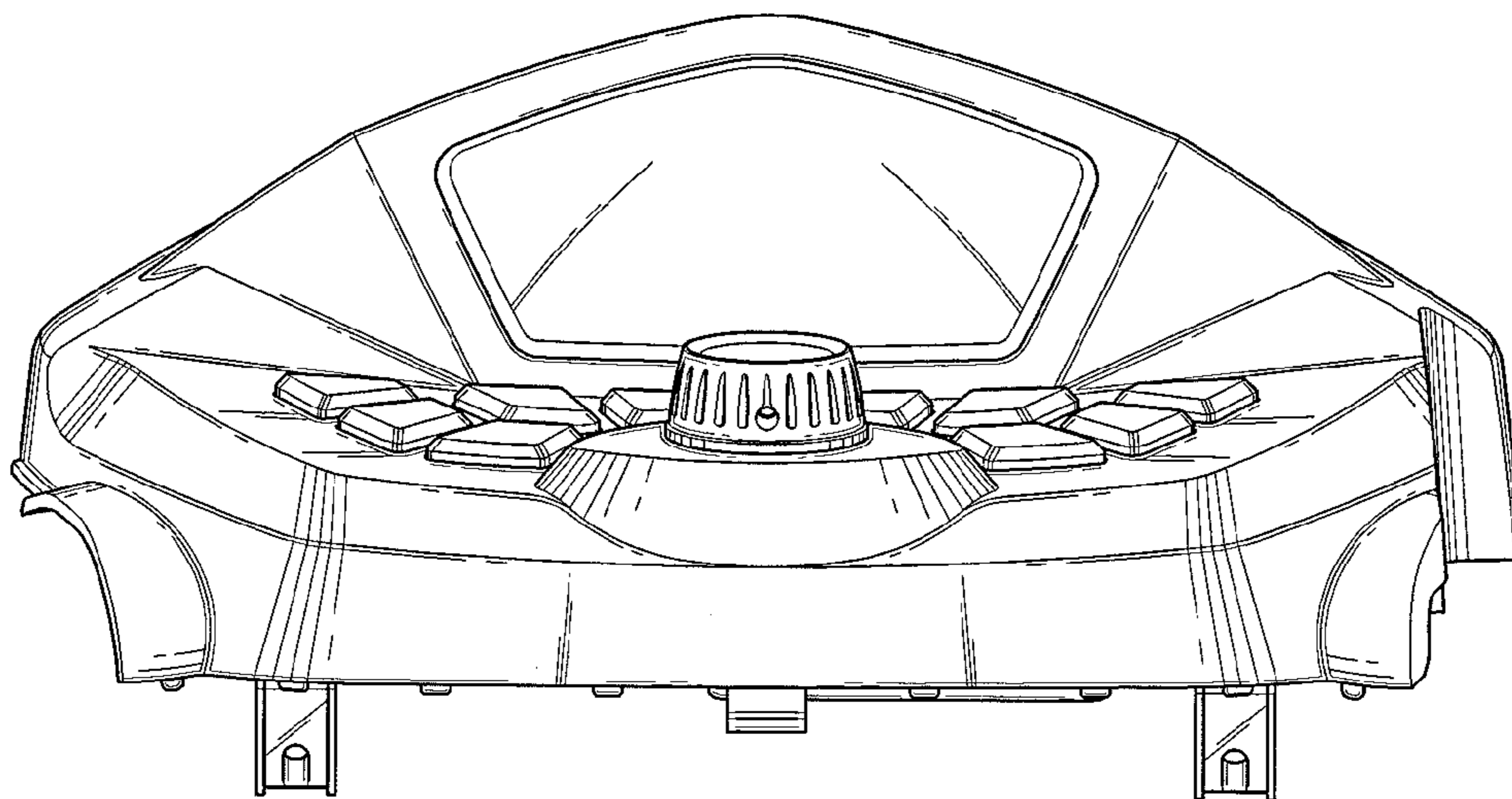


FIG.2

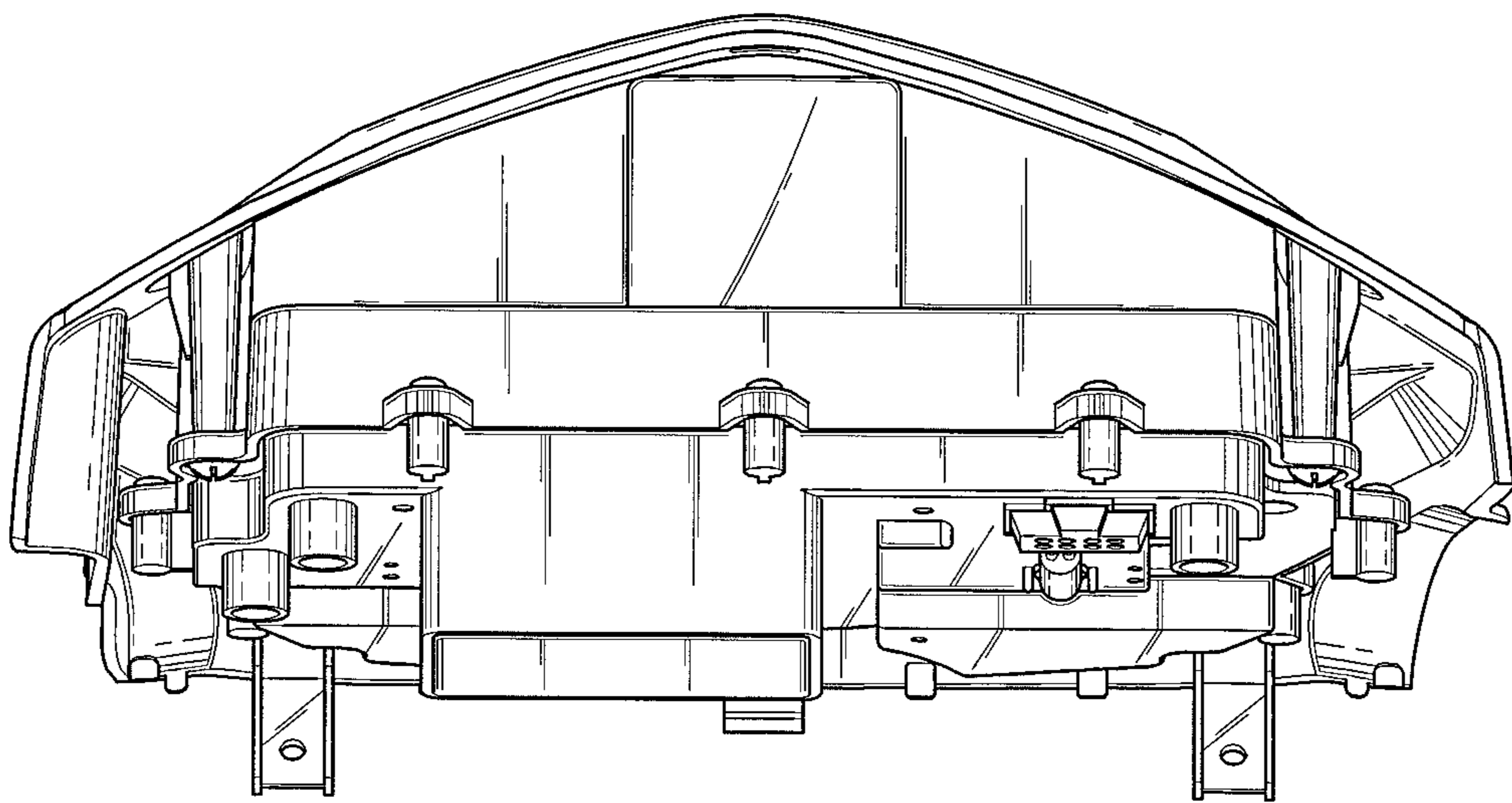


FIG.3

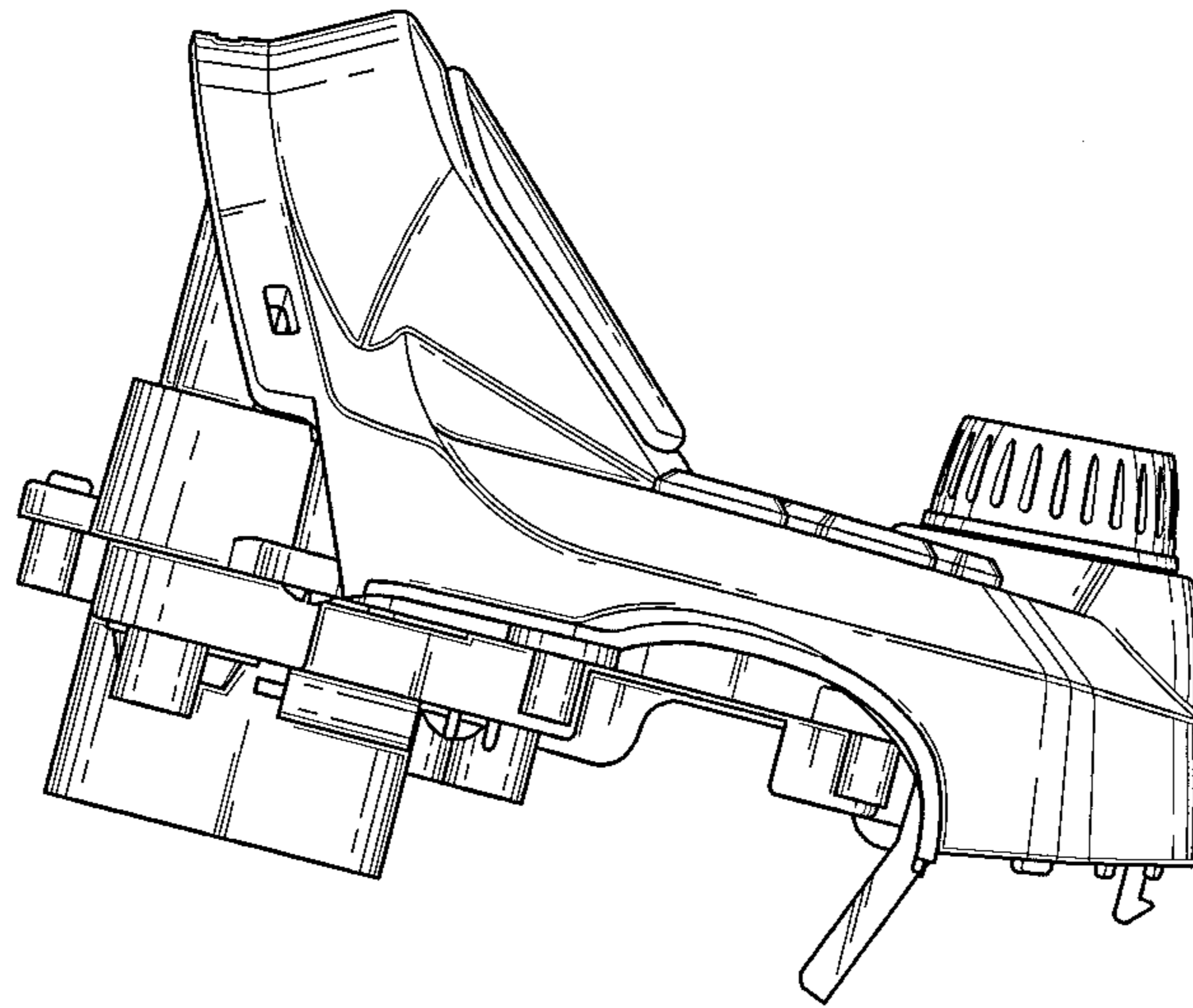


FIG.4

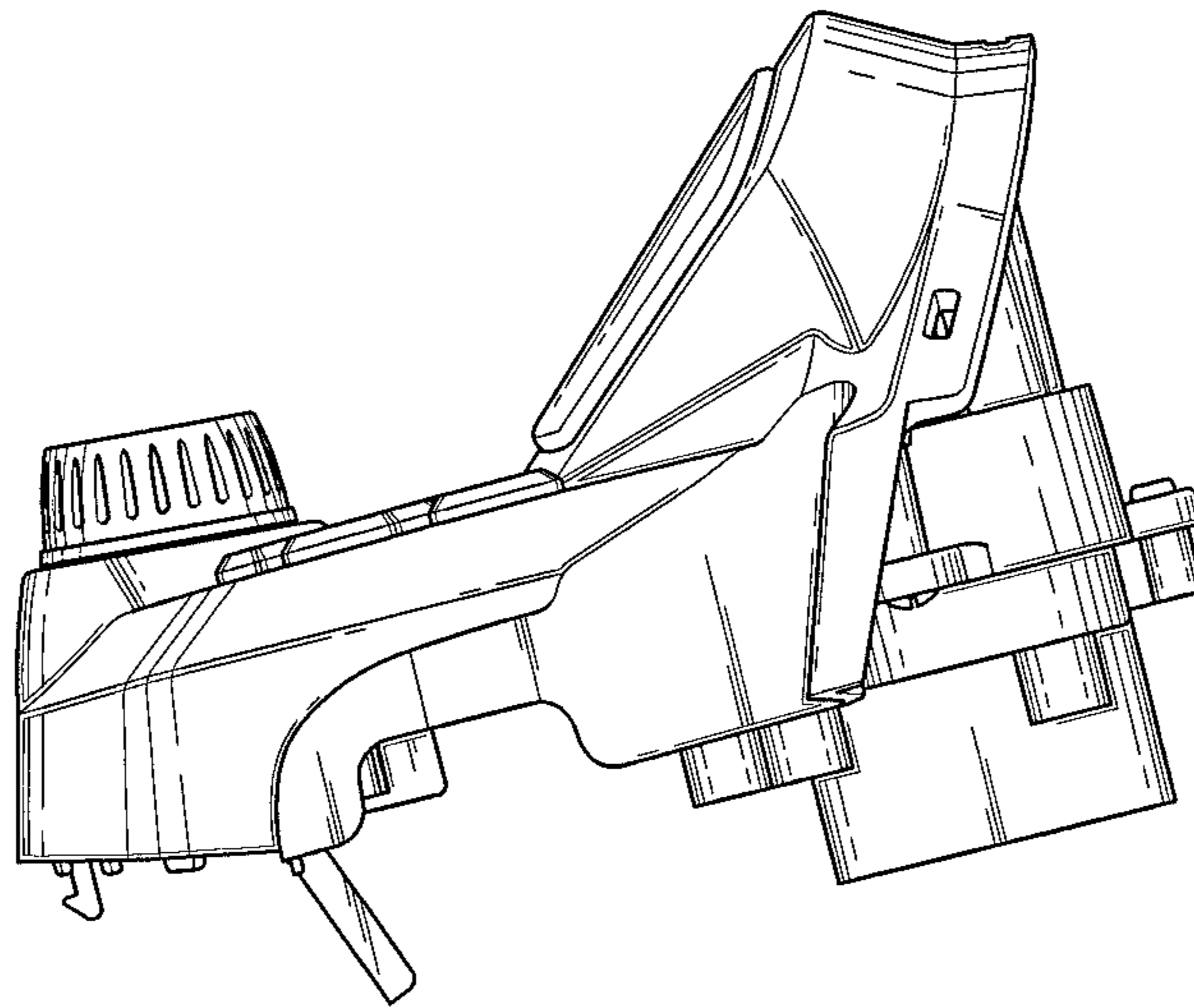


FIG.5

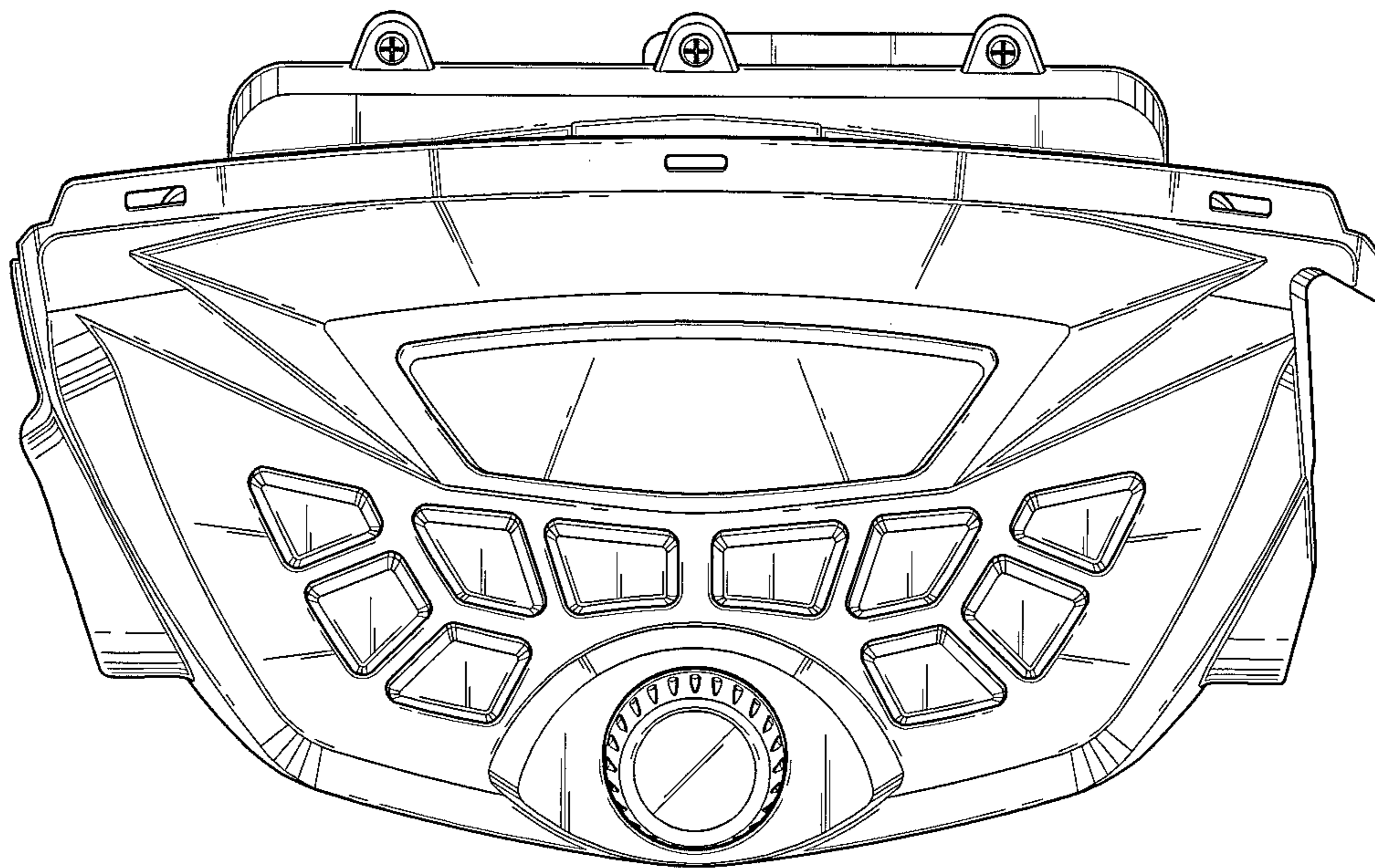


FIG.6

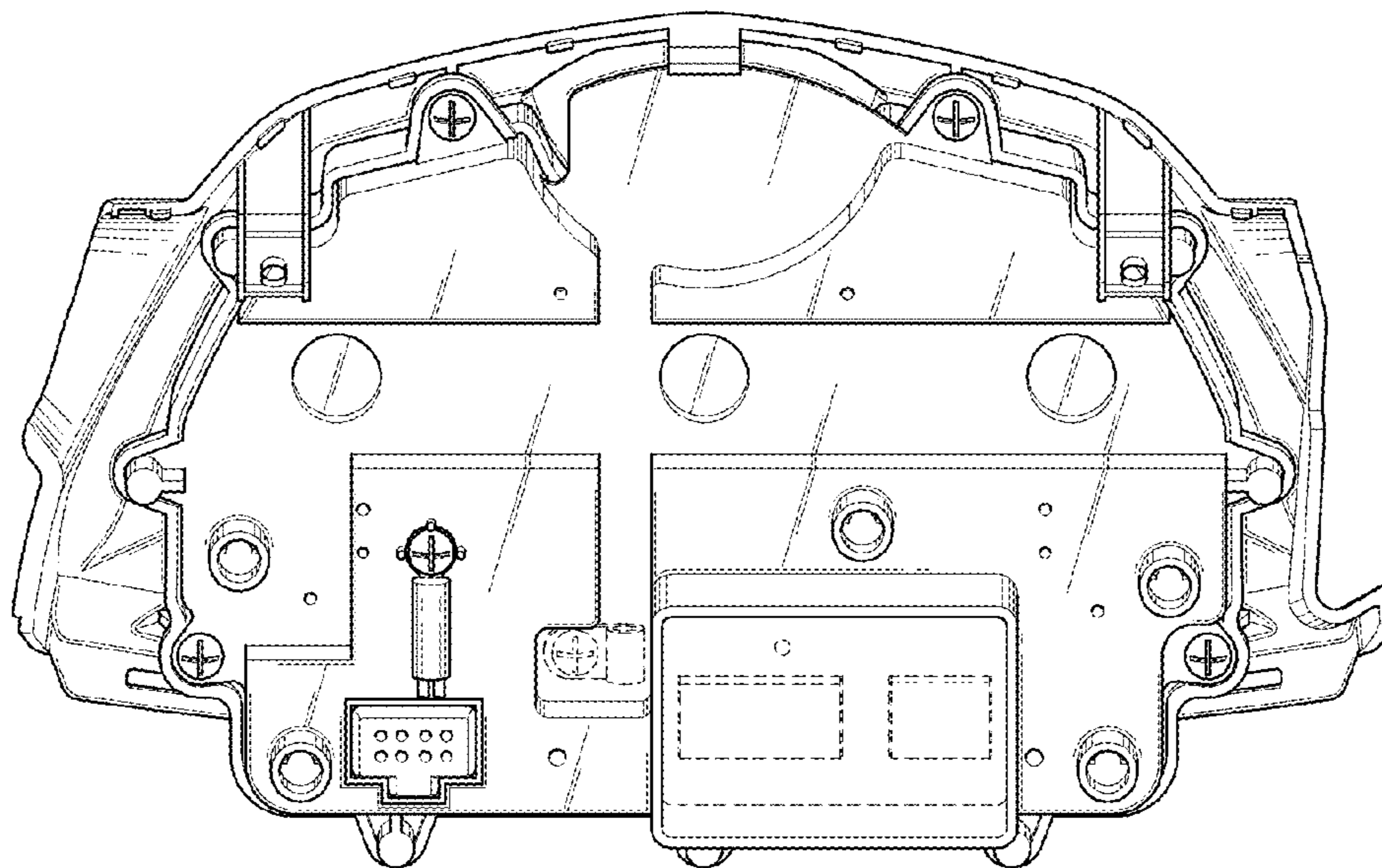


FIG.7