



US00D742793S

(12) **United States Design Patent**
Poslowski et al.

(10) **Patent No.:** **US D742,793 S**
(45) **Date of Patent:** **** Nov. 10, 2015**

(54) **STROLLER**

(71) Applicant: **Foundations Worldwide, Inc.**, Medina, OH (US)

(72) Inventors: **Lukasz S. Poslowski**, Middleburg Heights, OH (US); **Joseph A. Lawlor**, Medina, OH (US); **David Stitchick**, Norton, OH (US)

(73) Assignee: **FOUNDATIONS WORLDWIDE, INC.**, Medina, OH (US)

(**) Term: **14 Years**

(21) Appl. No.: **29/498,459**

(22) Filed: **Aug. 4, 2014**

(51) **LOC (10) Cl.** **12-12**

(52) **U.S. Cl.**
USPC **D12/129**

(58) **Field of Classification Search**
USPC D12/129
CPC B62B 7/00-7/04; B62B 9/00-9/28
See application file for complete search history.

(56) **References Cited**

U.S. PATENT DOCUMENTS

D155,785 S *	11/1949	Davis	D12/129
D162,495 S *	3/1951	Trimble	D12/129
D312,436 S *	11/1990	Kelly	D12/129
5,033,761 A *	7/1991	Kelly	280/47.38
5,997,085 A *	12/1999	MacLiver	297/248
D430,512 S *	9/2000	Yang	D12/129
6,250,653 B1 *	6/2001	Worrell	280/47.38
D595,621 S *	7/2009	Ci Xiao	D12/129

OTHER PUBLICATIONS

Foundations, "Sport Strollers", retrieved from "https://web.archive.org/web/20130424050206/http://www.foundations.com/sport-strollers.html", Apr. 24, 2013.

Foundations, "Gaggle Buggy", retrieved from https://web.archive.org/web/20130528204410/http://www.foundations.com/gaggle-buggy.html, May 28, 2013.

* cited by examiner

Primary Examiner — Susan Bennett Hattan

Assistant Examiner — Charles Hanson

(74) *Attorney, Agent, or Firm* — Walker & Jocke

(57) **CLAIM**

The ornamental design for a stroller, as shown and described.

DESCRIPTION

FIG. 1 is a top, front, right side isometric view showing our new design for a stroller.

FIG. 2 is a top, back, right side isometric view thereof.

FIG. 3 is a bottom, back, right side isometric view thereof.

FIG. 4 is a bottom, front, right side isometric view thereof.

FIG. 5 is a right side view thereof.

FIG. 6 is a front view thereof.

FIG. 7 is a back view thereof.

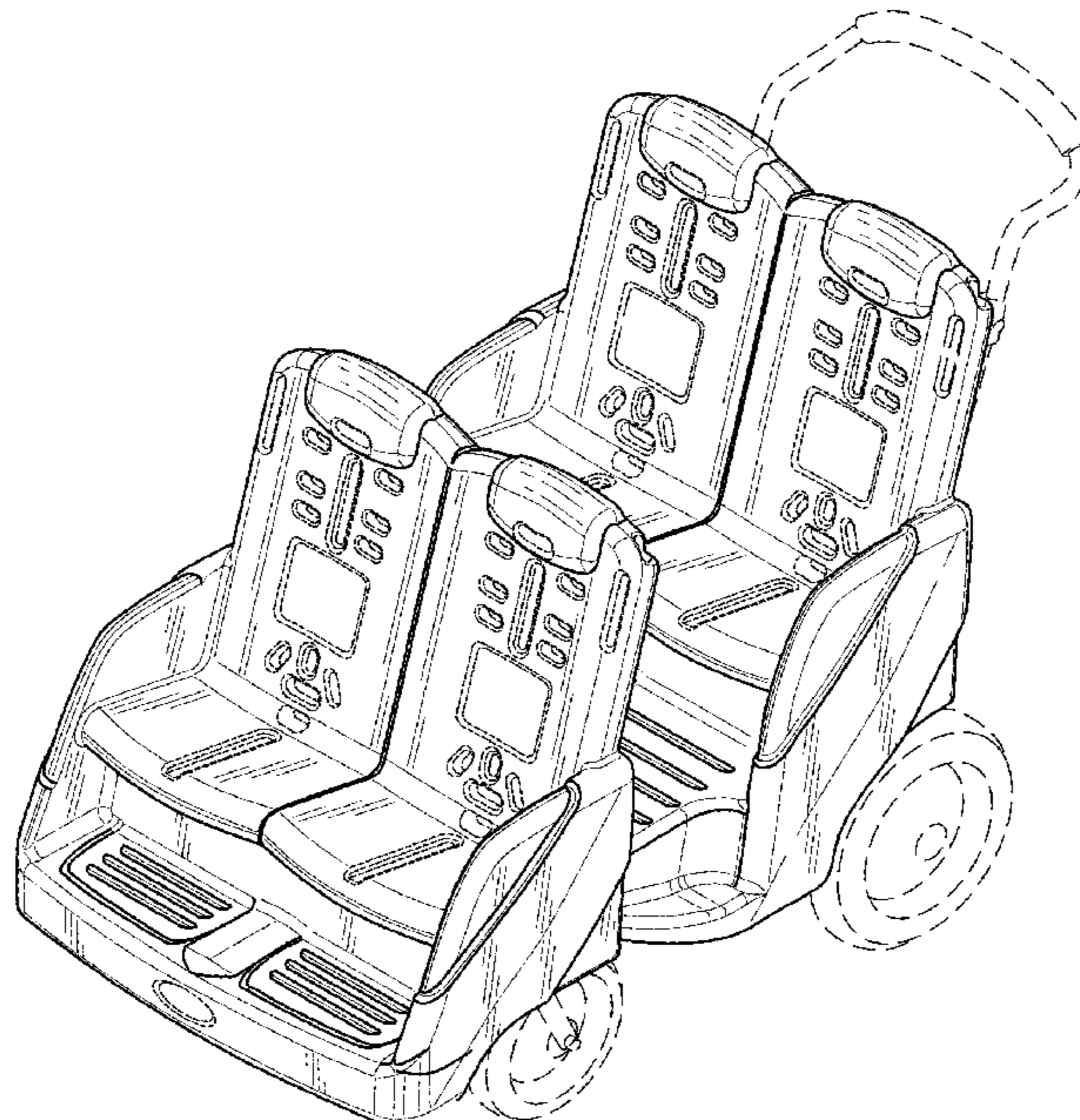
FIG. 8 is a bottom view thereof.

FIG. 9 is a top view thereof; and,

FIG. 10 is a left side view thereof.

The broken lines indicate unclaimed portions and form no part of the claimed design.

1 Claim, 8 Drawing Sheets



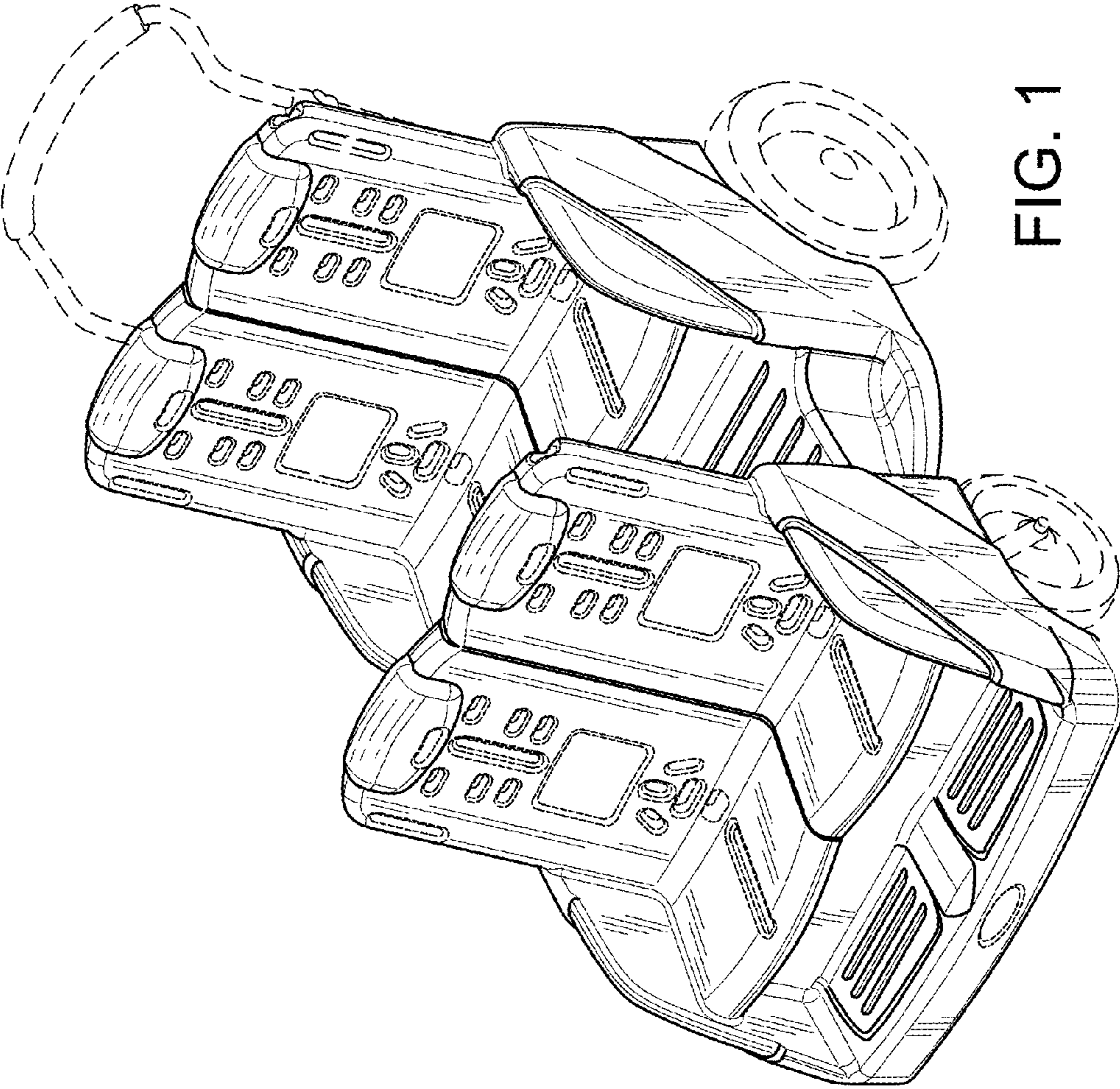


FIG. 1

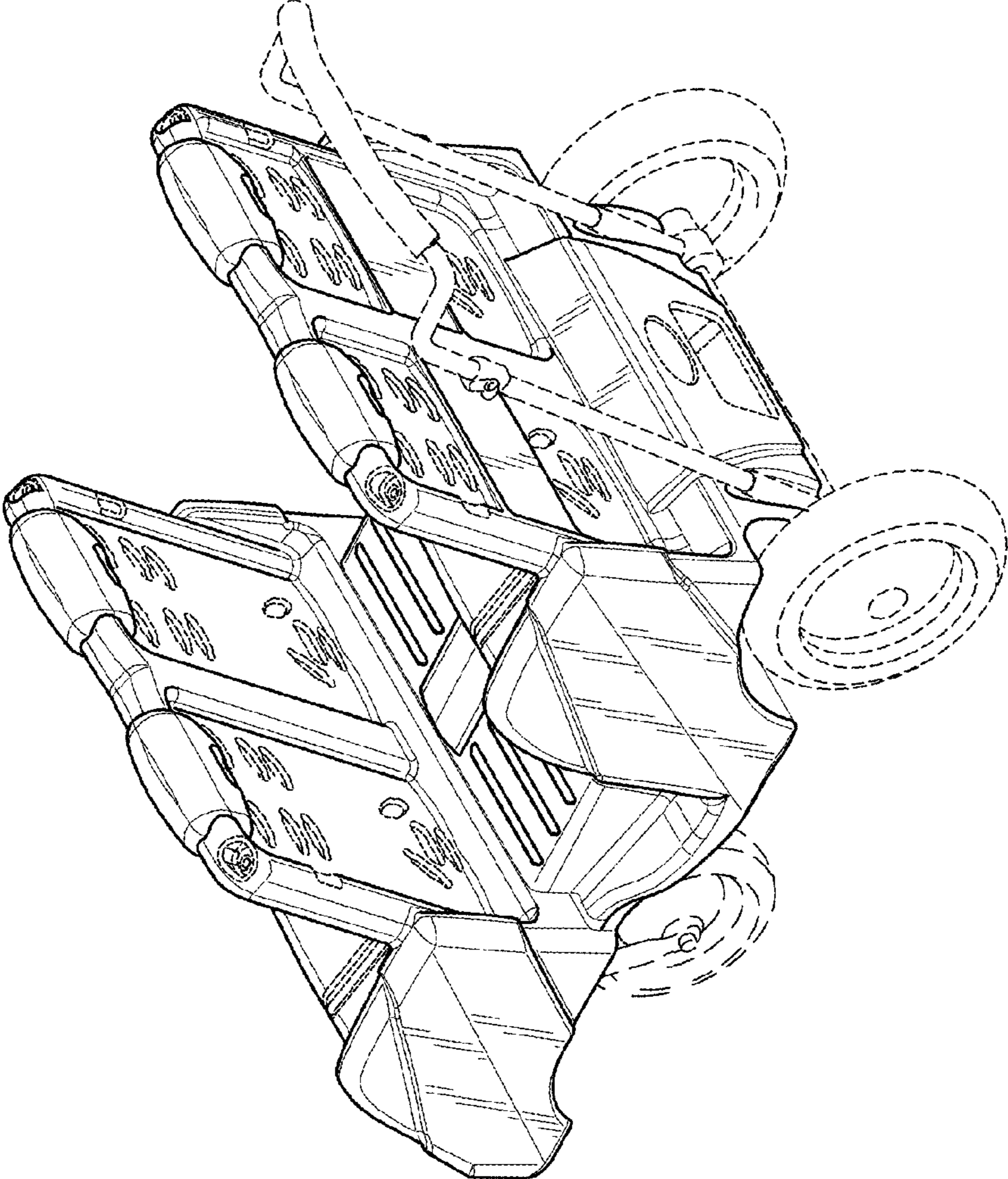


FIG. 2

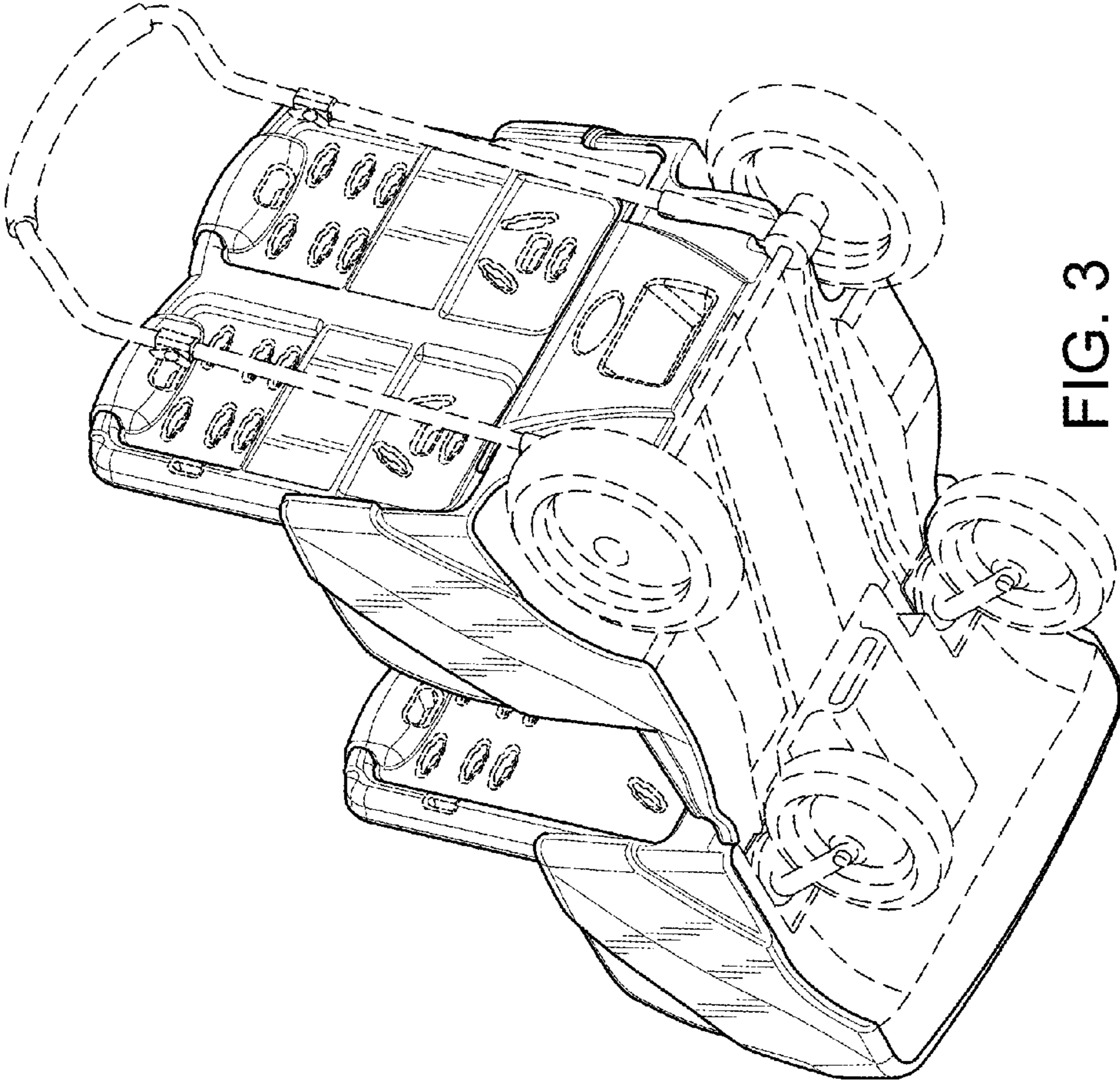


FIG. 3

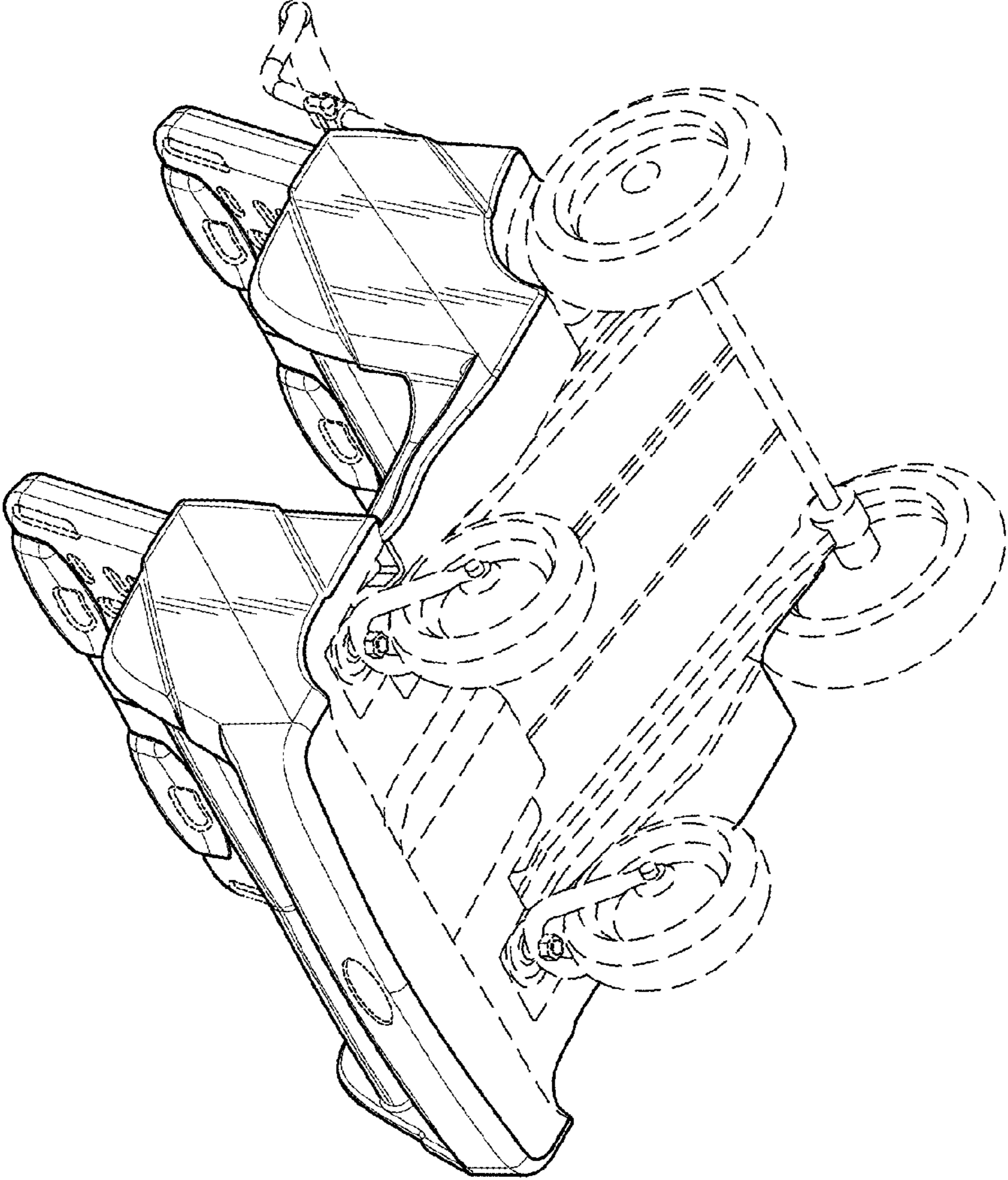


FIG. 4

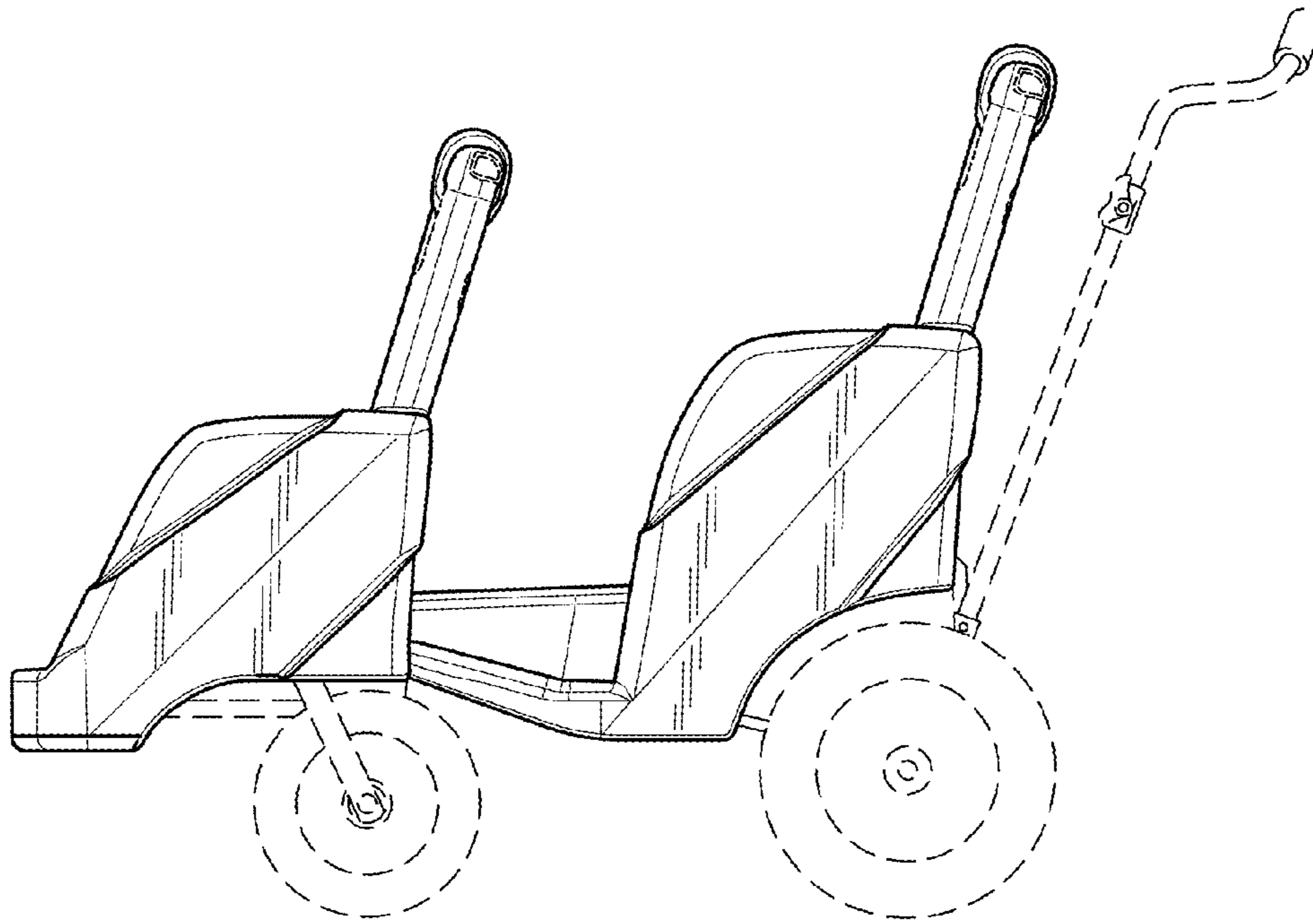


FIG. 5

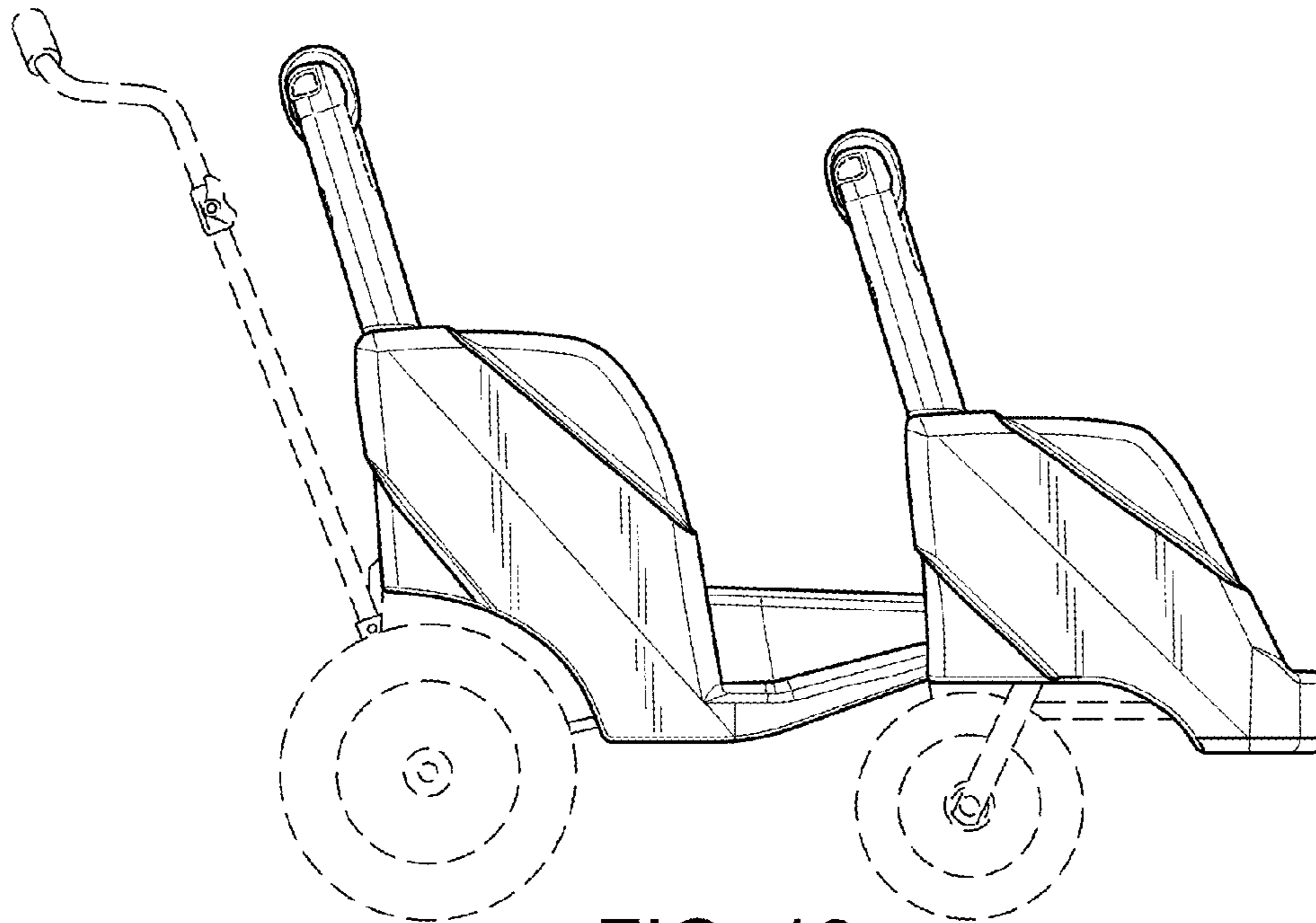


FIG. 10

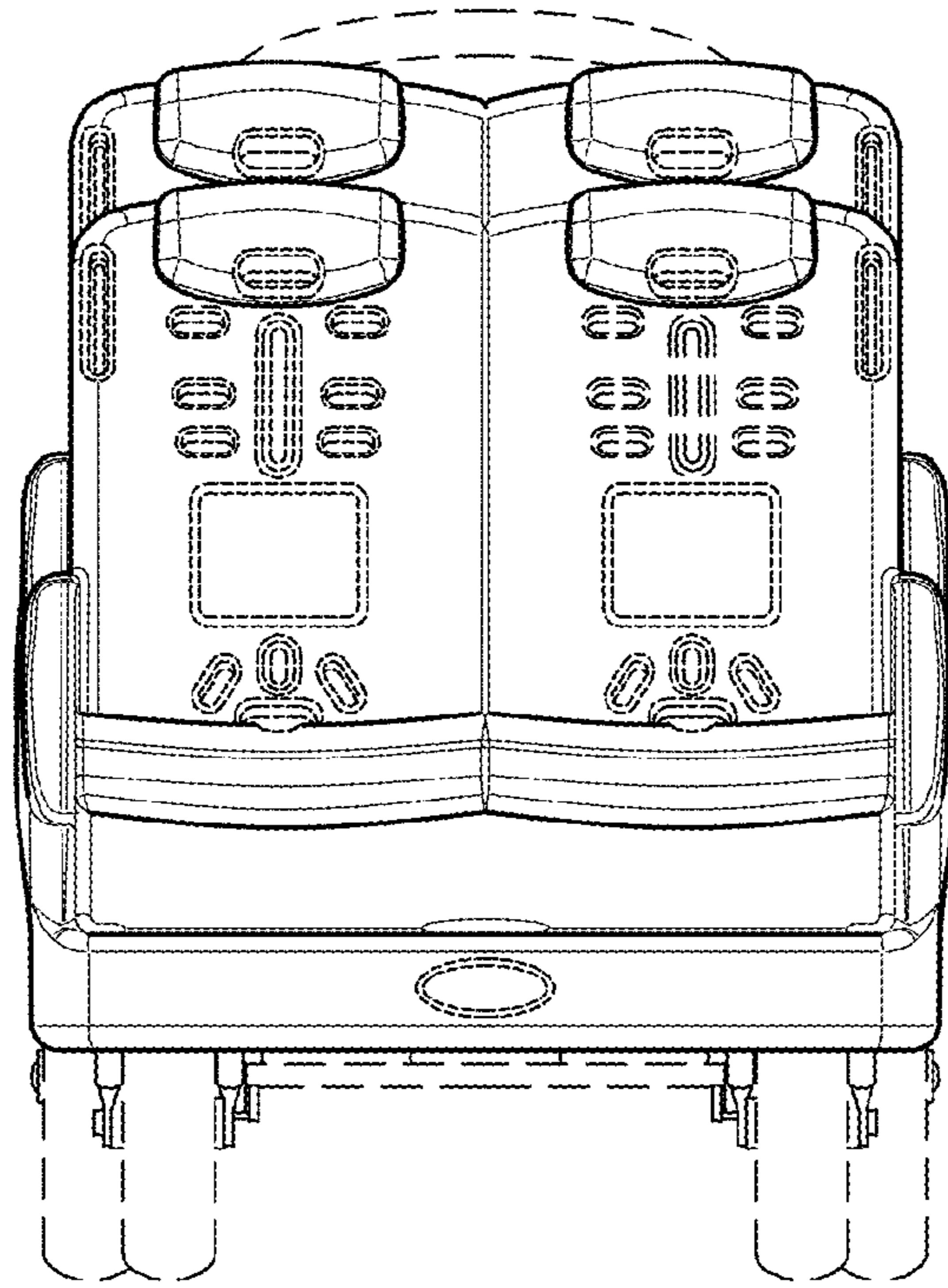


FIG. 6

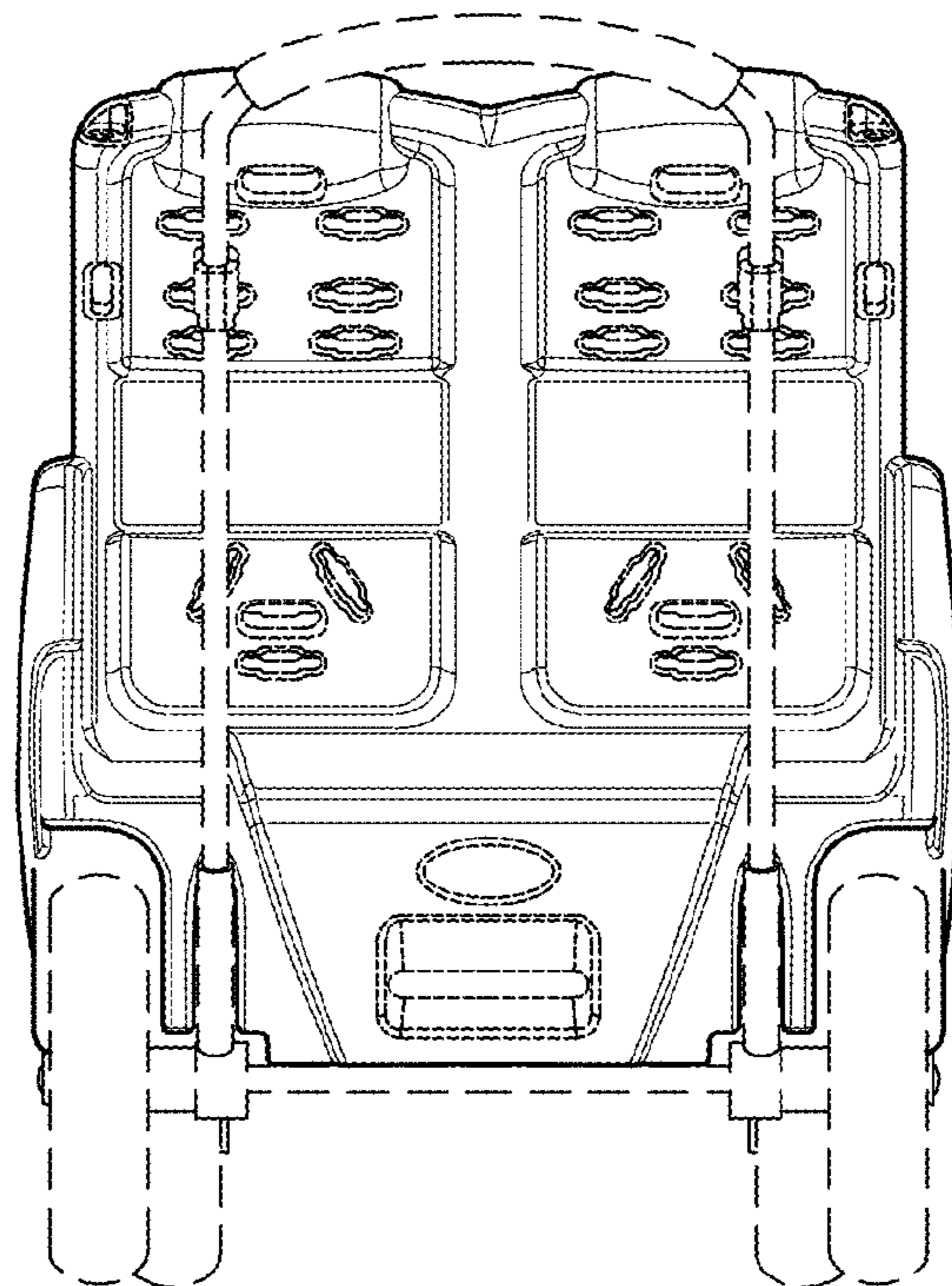


FIG. 7

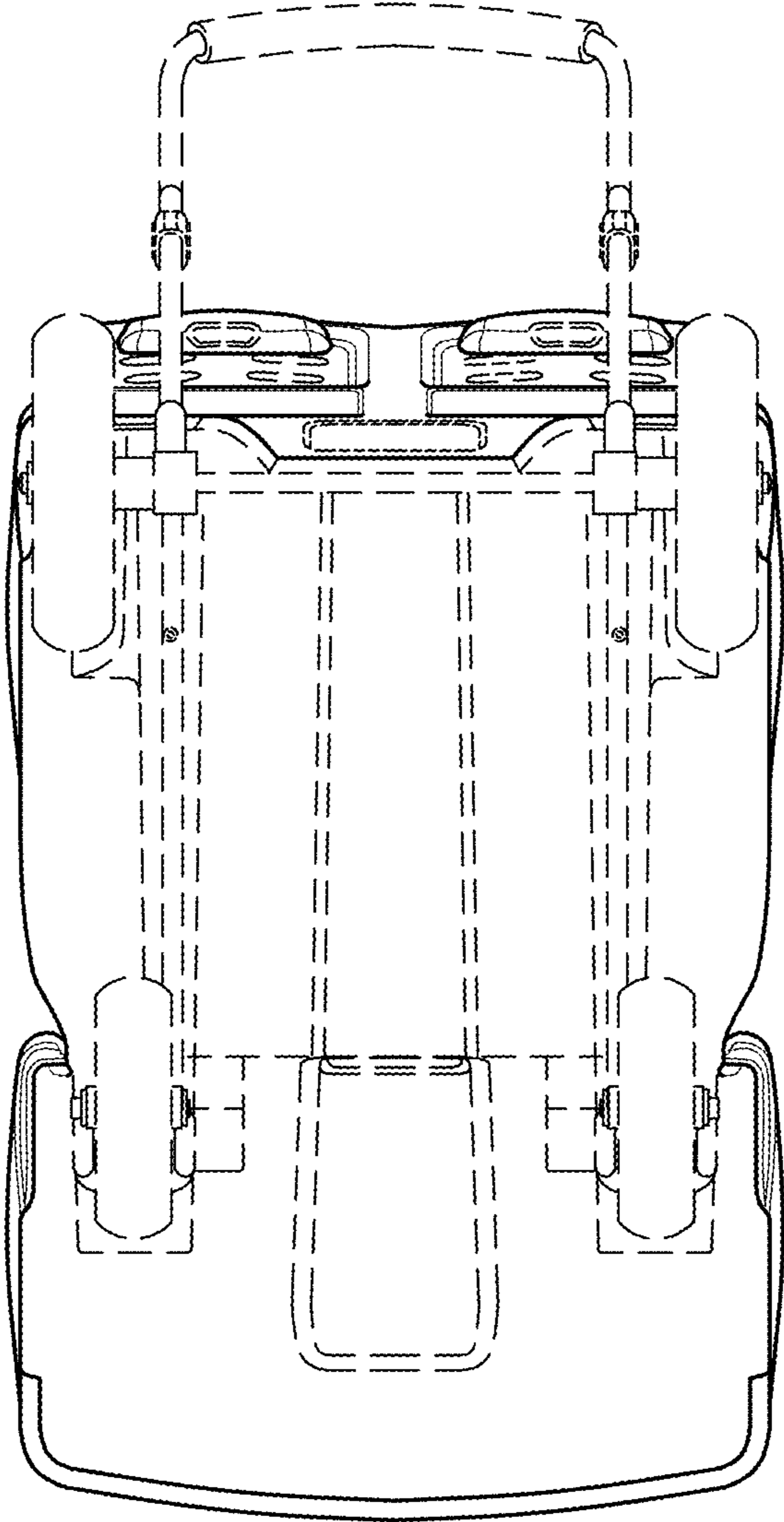


FIG. 8

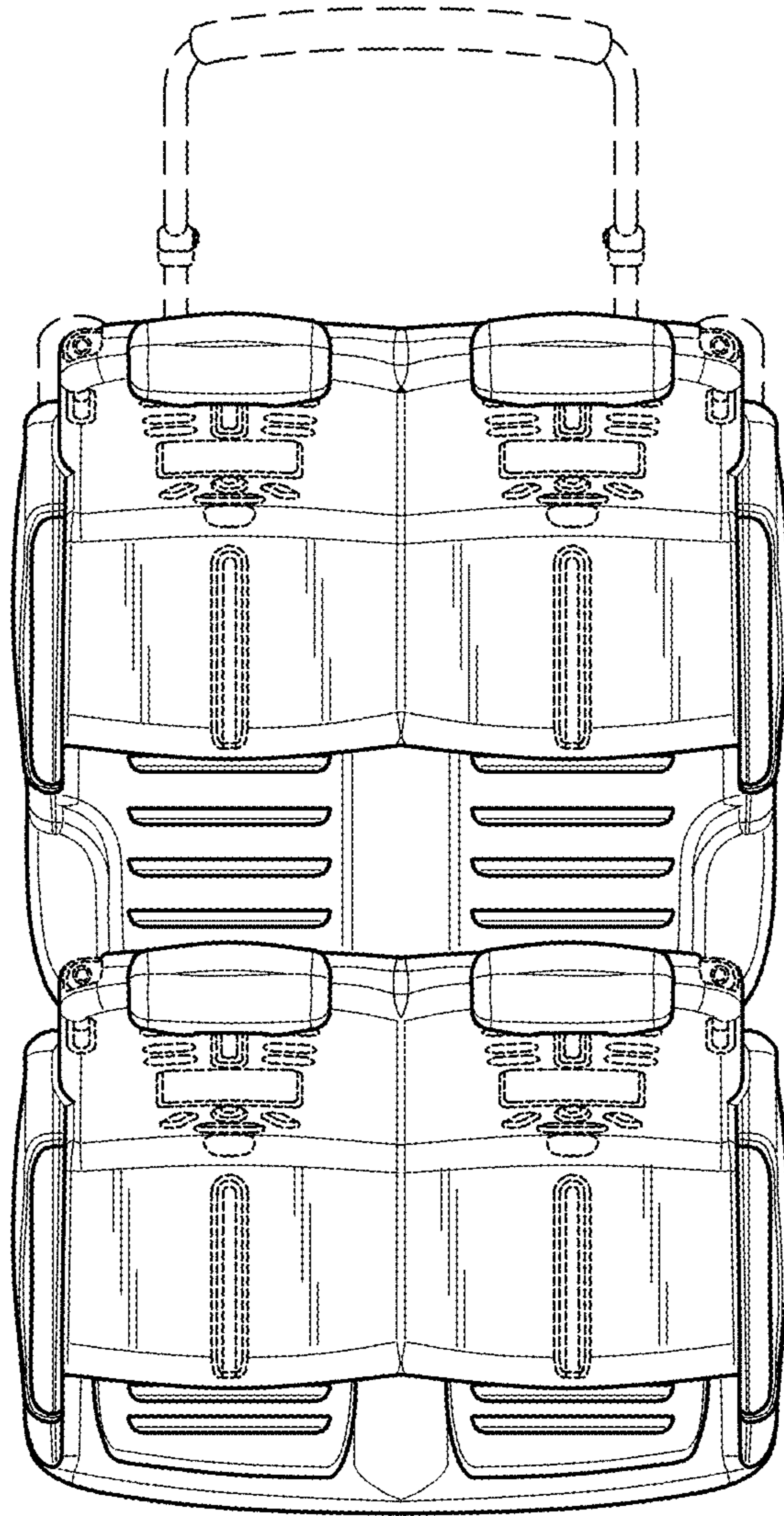


FIG. 9