



US00D742792S

(12) **United States Design Patent**  
**Goldberg**

(10) **Patent No.:** **US D742,792 S**

(45) **Date of Patent:** **\*\* Nov. 10, 2015**

(54) **INFANT STROLLER**

(71) Applicant: **Ely Goldberg**, Dollard des Ormeaux  
(CA)

(72) Inventor: **Ely Goldberg**, Dollard des Ormeaux  
(CA)

(\*\*) Term: **14 Years**

(21) Appl. No.: **29/434,294**

(22) Filed: **Oct. 11, 2012**

(51) **LOC (10) Cl.** ..... **12-12**

(52) **U.S. Cl.**  
USPC ..... **D12/129**

(58) **Field of Classification Search**  
USPC ..... D12/128-133; 280/62, 647-650, 29,  
280/200, 47.38, 250.1, 259, 642, 658,  
280/304.1; 128/99.1, 100.1  
CPC ..... B62B 7/08; Y02T 10/7005; Y10S 297/04;  
A61G 2005/1054; B60K 7/0007  
See application file for complete search history.

(56) **References Cited**

**U.S. PATENT DOCUMENTS**

D262,242 S 12/1981 Molnar  
D338,343 S 8/1993 Grange

(Continued)

**OTHER PUBLICATIONS**

United States Patent and Trademark Office; Notice of Allowance  
dated Dec. 20, 2012 issued in respect of U.S. Appl. No. 29/434,284;  
6 pages.

(Continued)

*Primary Examiner* — Susan Bennett Hattan

*Assistant Examiner* — Charles Hanson

(74) *Attorney, Agent, or Firm* — Norton Rose Fulbright  
Canada LLP; Chris Hunter

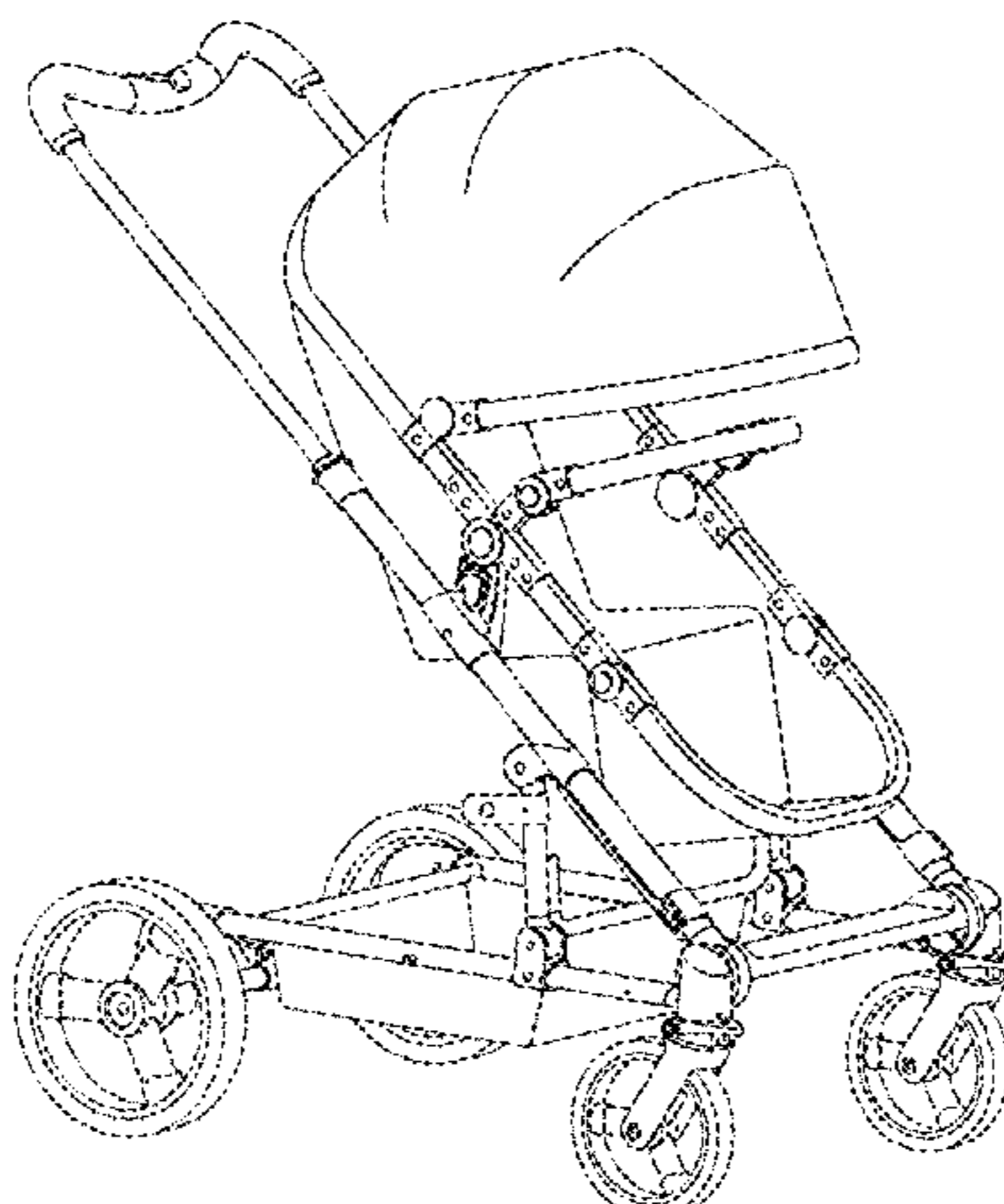
(57) **CLAIM**

The ornamental design for an infant stroller, as shown and  
described.

**DESCRIPTION**

FIG. 1 is a top, front, and right side perspective view of an  
infant stroller showing our new design;  
FIG. 2 is a front elevation view thereof;  
FIG. 3 is a top plan view thereof;  
FIG. 4 is a right side elevation view thereof;  
FIG. 5 is a left side elevation view thereof;  
FIG. 6 is a rear elevation view thereof;  
FIG. 7 is a bottom plan view thereof;  
FIG. 8 is a top, front, and left side perspective view of an  
infant stroller according to our design, in a bassinette con-  
figuration;  
FIG. 9 is a front elevation view of the infant stroller of FIG. 8;  
FIG. 10 is a top plan view of the infant stroller of FIG. 8;  
FIG. 11 is a left side elevation view of the infant stroller of  
FIG. 8;  
FIG. 12 is a right side elevation view of the infant stroller of  
FIG. 8;  
FIG. 13 is a rear elevation view of the infant stroller of FIG. 8;  
FIG. 14 is a bottom plan view of the infant stroller of FIG. 8;  
FIG. 15 is a top, front, and left side perspective view of an  
infant stroller according to our design in a folded configura-  
tion with the bassinet removed for ease of illustration.  
FIG. 16 is a front elevation view of the infant stroller of FIG.  
15;  
FIG. 17 is a top plan view of the infant stroller of FIG. 15;  
FIG. 18 is a left side elevation view of the infant stroller of  
FIG. 15;  
FIG. 19 is a right side elevation view of the infant stroller of  
FIG. 15;  
FIG. 20 is a rear elevation view of the infant stroller of FIG.  
15; and,  
FIG. 21 is a bottom plan view of the infant stroller of FIG. 15.  
The broken lines shown throughout the drawing views are for  
illustrative purposes only and form no part of the claimed  
design.

**1 Claim, 18 Drawing Sheets**



(56)

**References Cited**

U.S. PATENT DOCUMENTS

D360,307 S 7/1995 Kain  
 D383,316 S 9/1997 Kain  
 D451,434 S \* 12/2001 Hsia ..... D12/129  
 D453,631 S 2/2002 Kassai et al.  
 D461,646 S 8/2002 Kain  
 D486,430 S \* 2/2004 Chang ..... D12/129  
 D519,422 S \* 4/2006 Huang ..... D12/129  
 D537,640 S 3/2007 Spence et al.  
 7,267,359 B1 \* 9/2007 Yang et al. .... 280/642  
 D566,013 S \* 4/2008 Wang ..... D12/129  
 7,364,171 B2 \* 4/2008 Hu ..... 280/47.38  
 D578,936 S \* 10/2008 Chen ..... D12/129  
 D621,306 S \* 8/2010 Liao ..... D12/129  
 D626,758 S 11/2010 Hartenstine et al.  
 D630,448 S 1/2011 Xu et al.

D632,501 S 2/2011 Cymbalski et al.  
 D636,190 S 4/2011 Werschmidt et al.  
 D643,344 S \* 8/2011 Barenbrug ..... D12/129  
 D643,345 S \* 8/2011 Barenbrug ..... D12/129  
 D643,346 S \* 8/2011 Barenbrug ..... D12/129  
 D643,786 S \* 8/2011 Barenbrug ..... D12/129  
 D653,463 S 2/2012 Hartenstine et al.  
 D655,925 S 3/2012 Hartenstine et al.  
 D661,500 S 6/2012 Hutchinson et al.  
 D662,720 S 7/2012 Gillett et al.  
 D672,692 S \* 12/2012 Jane Santamaria ..... D12/129

OTHER PUBLICATIONS

United States Patent and Trademark Office; Notice of Allowance dated Dec. 20, 2012 issued in respect of U.S. Appl. No. 29/434,288; 6 pages.

\* cited by examiner

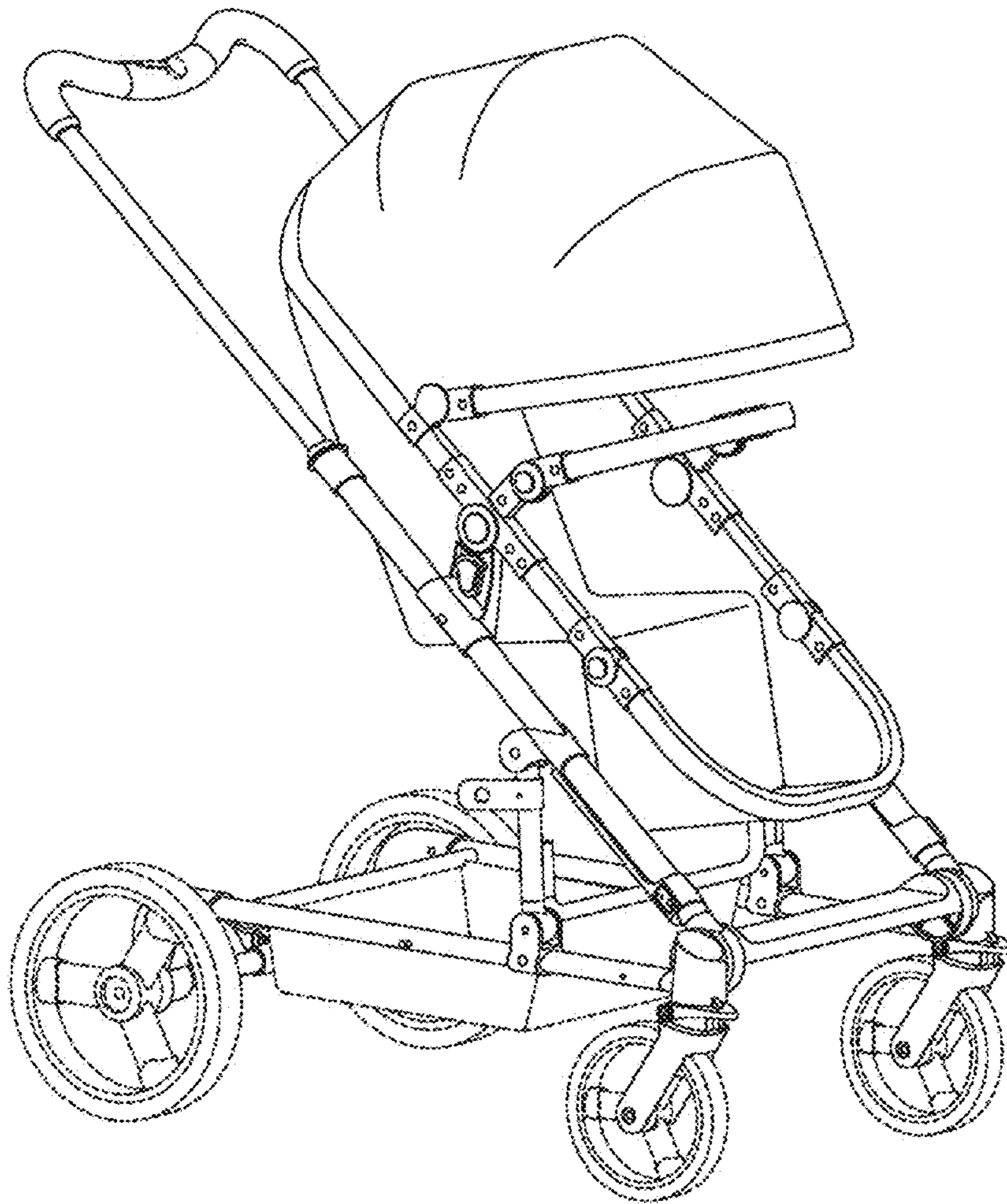


FIG. 1

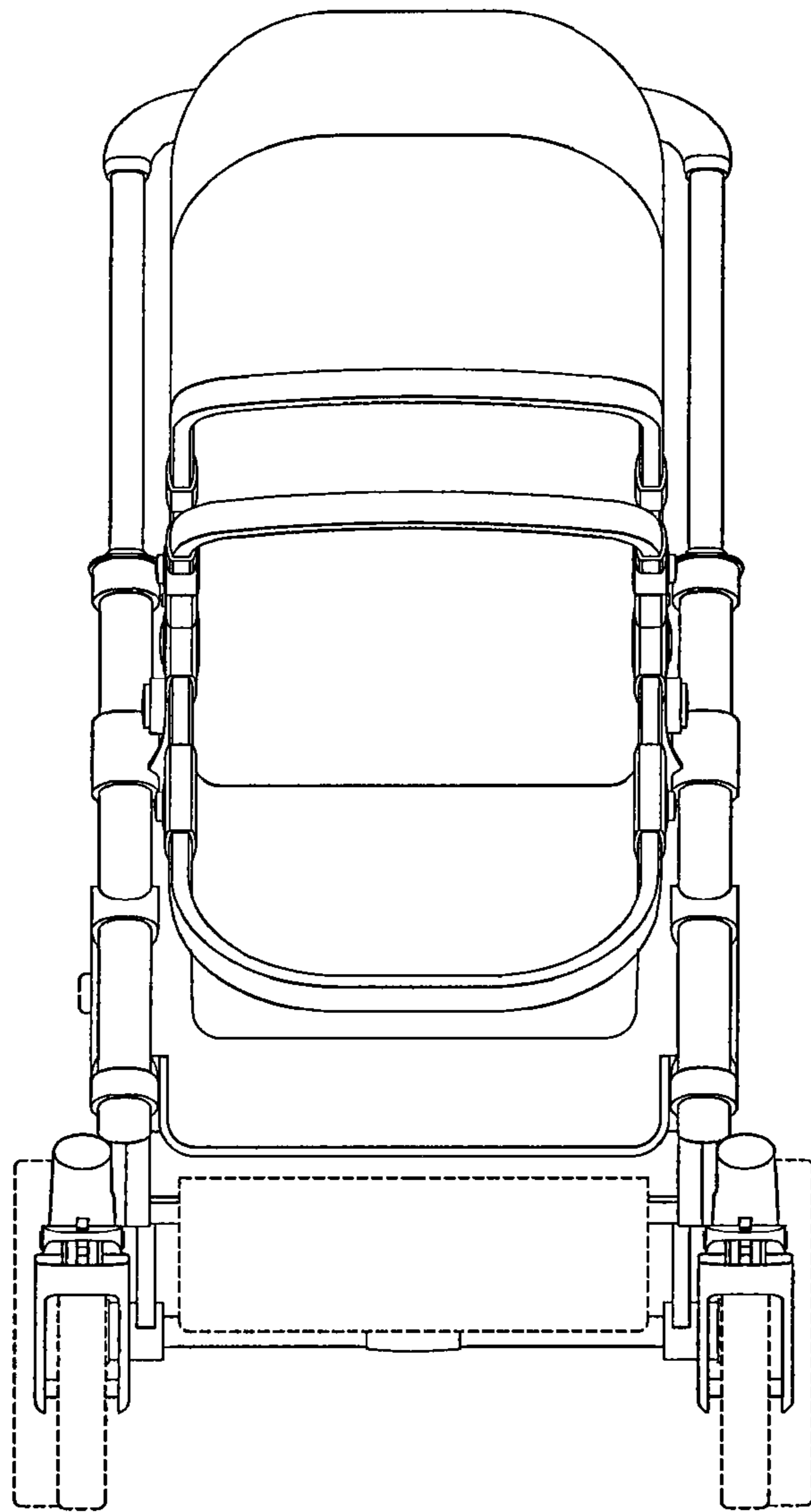


FIG. 2

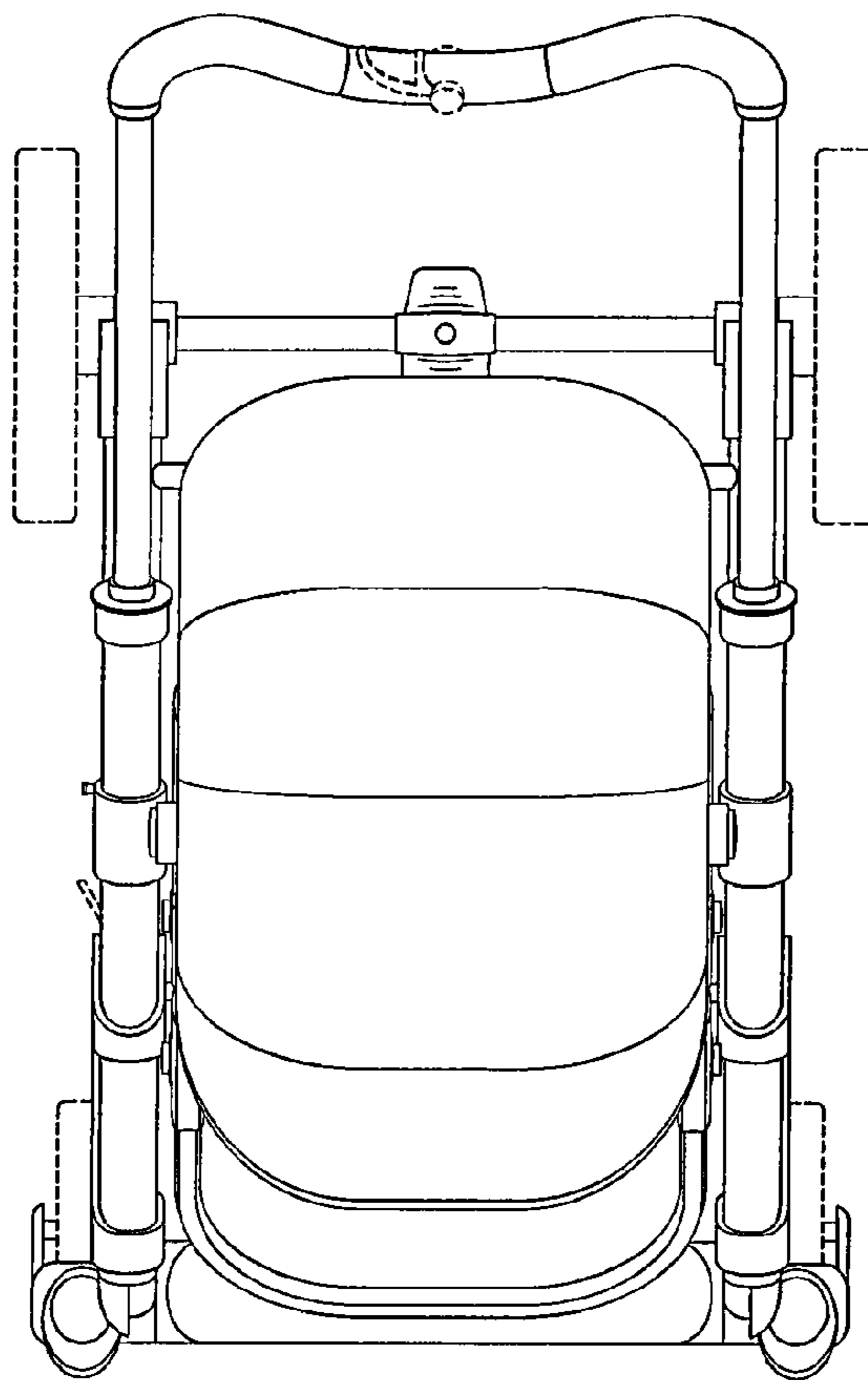


FIG. 3

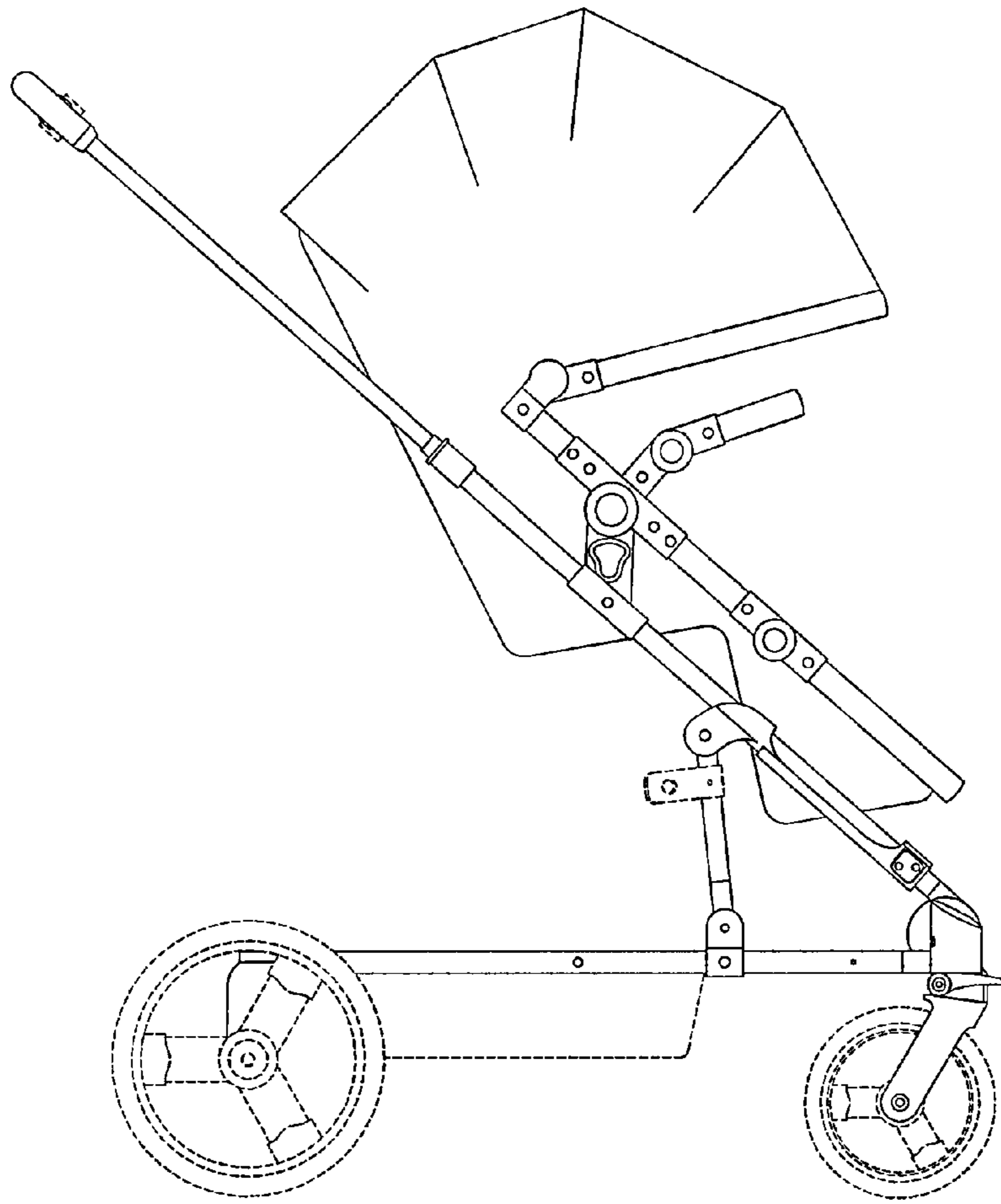


FIG. 4

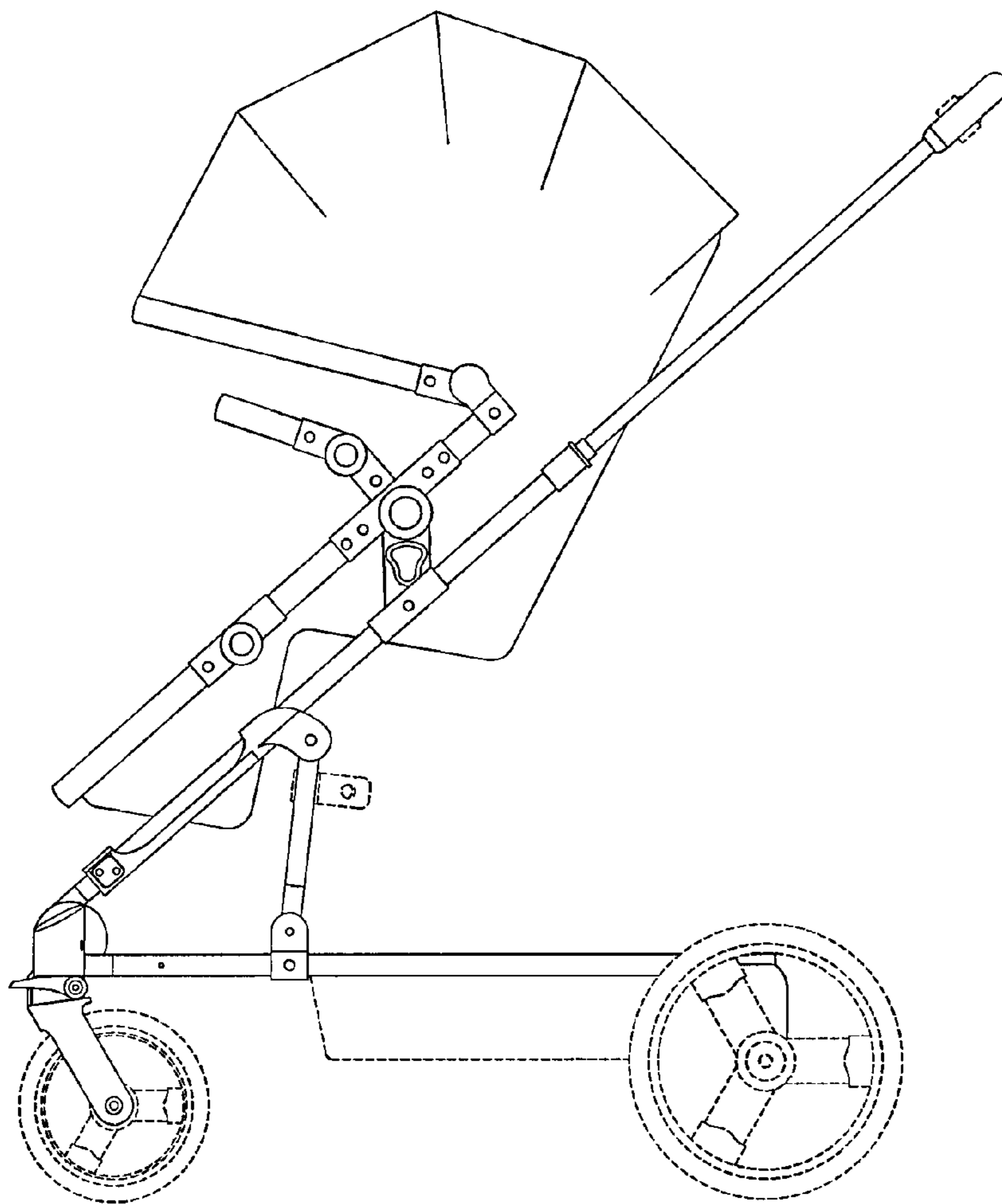


FIG. 5

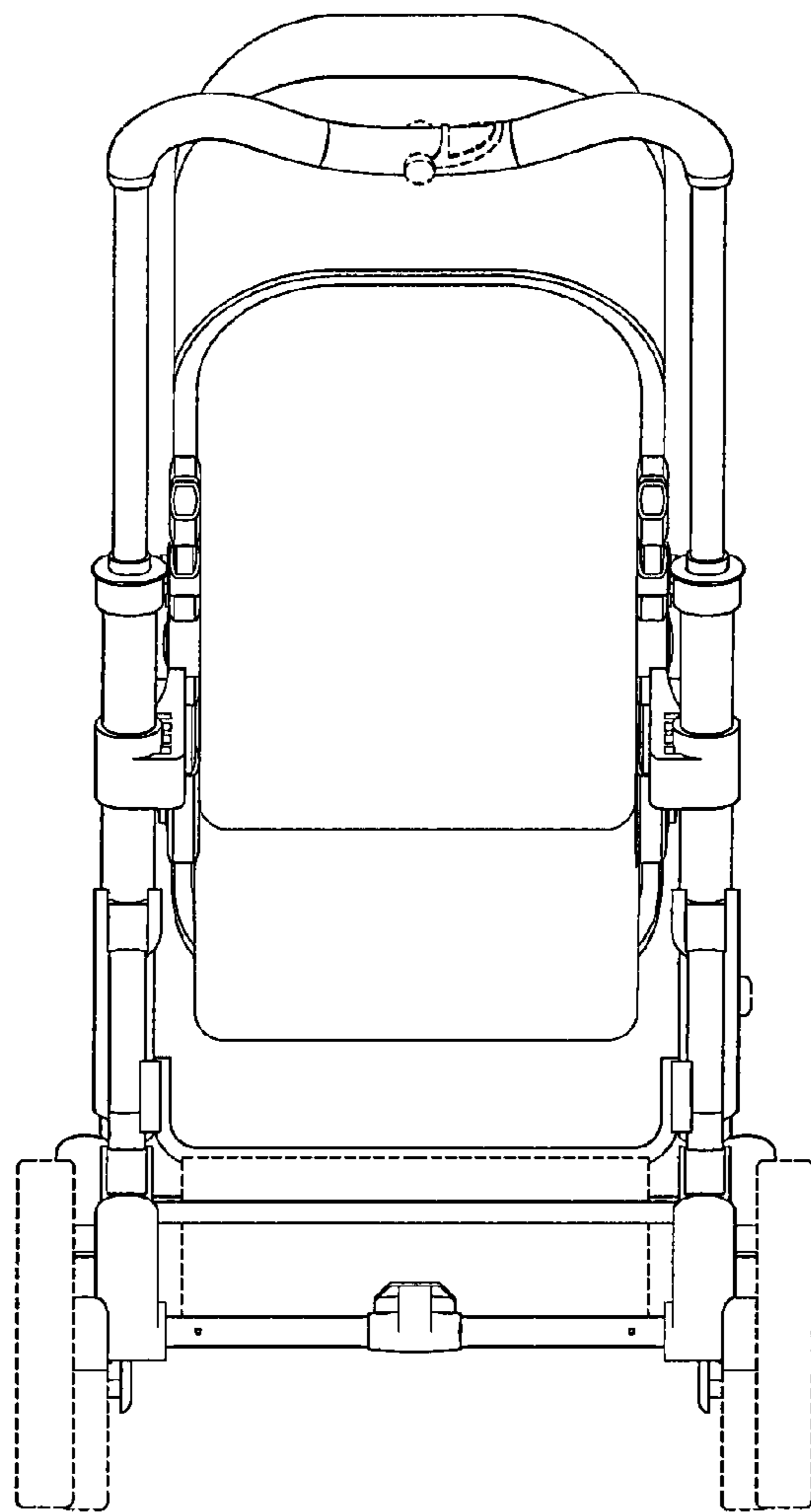


FIG. 6



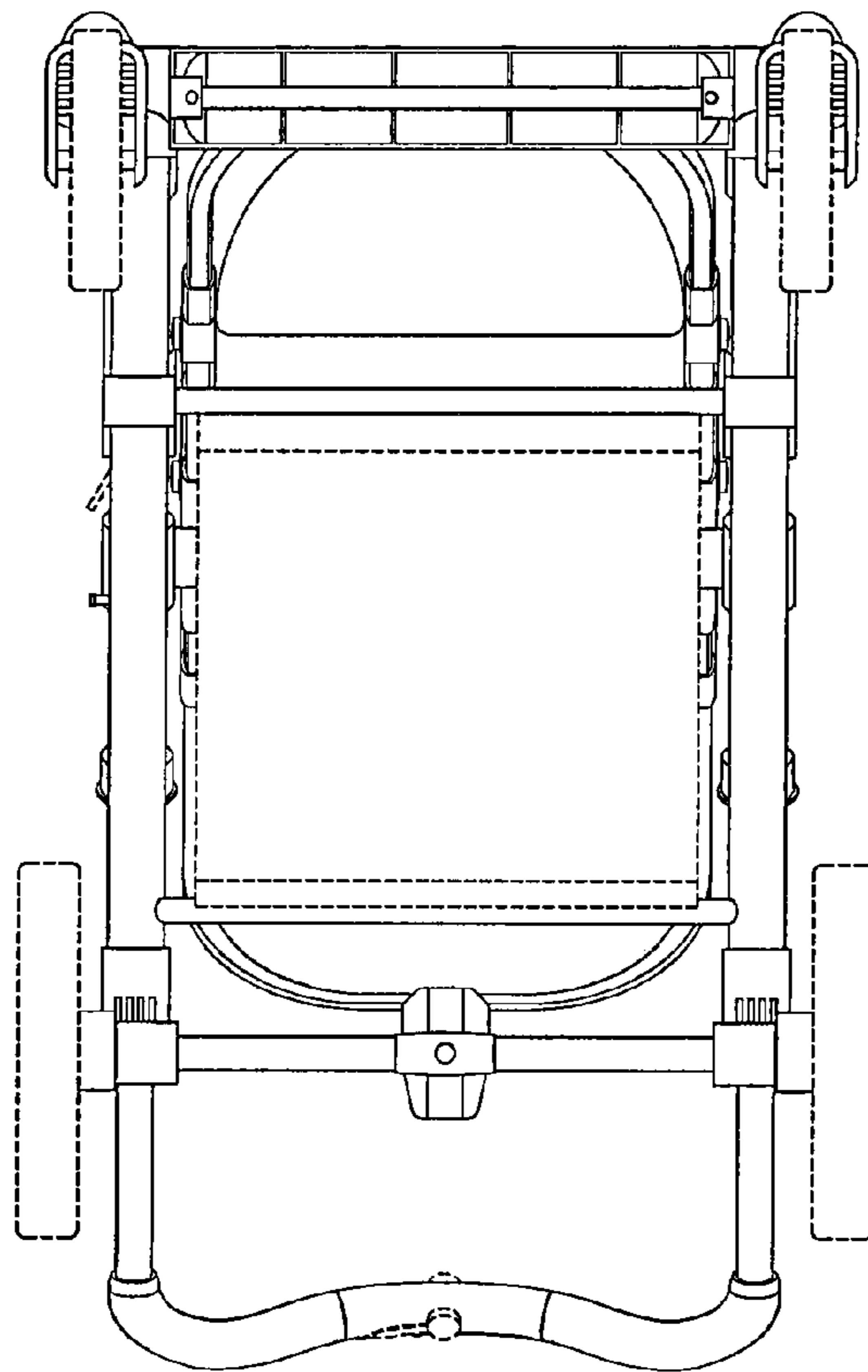


FIG. 7

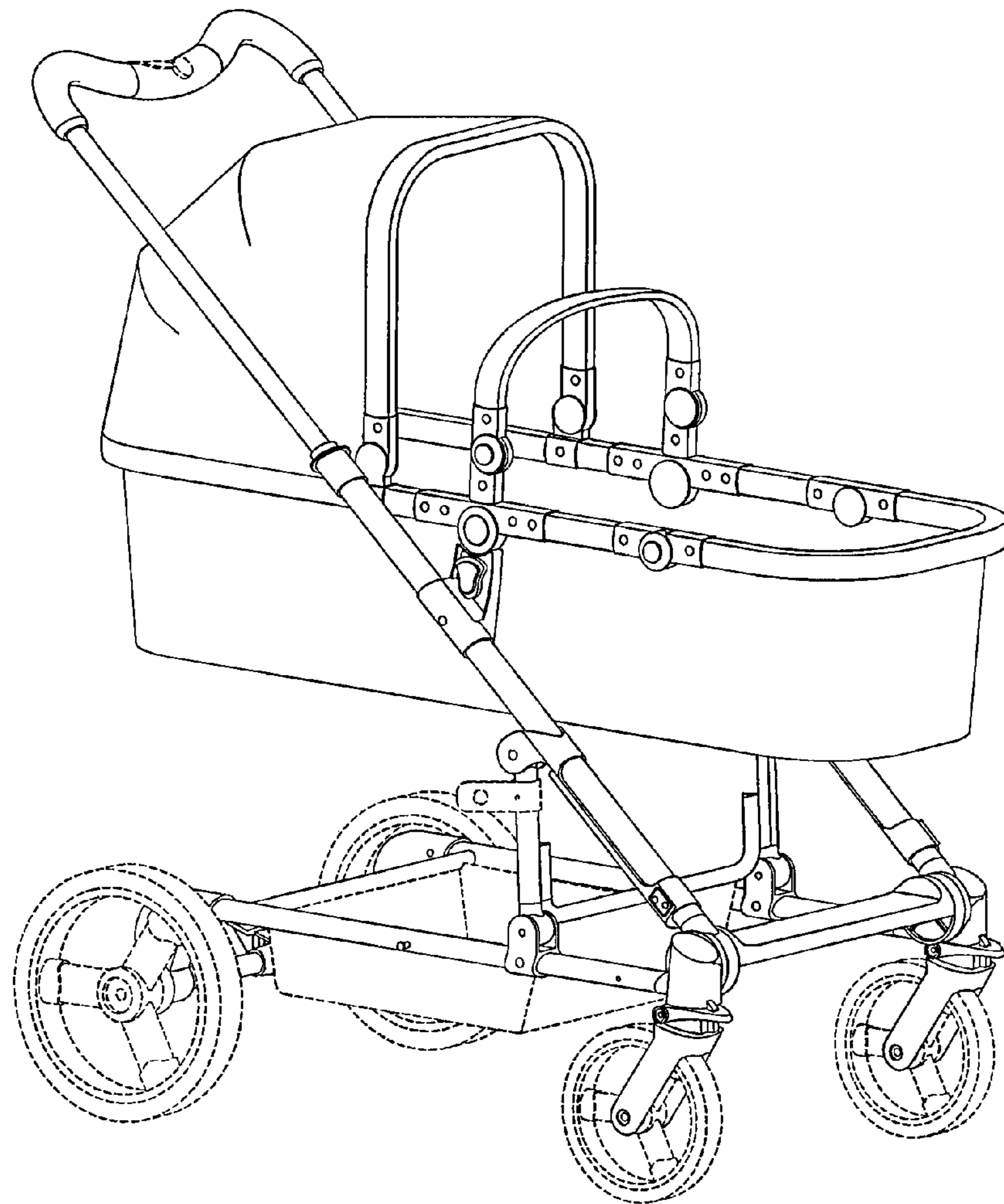


FIG. 8

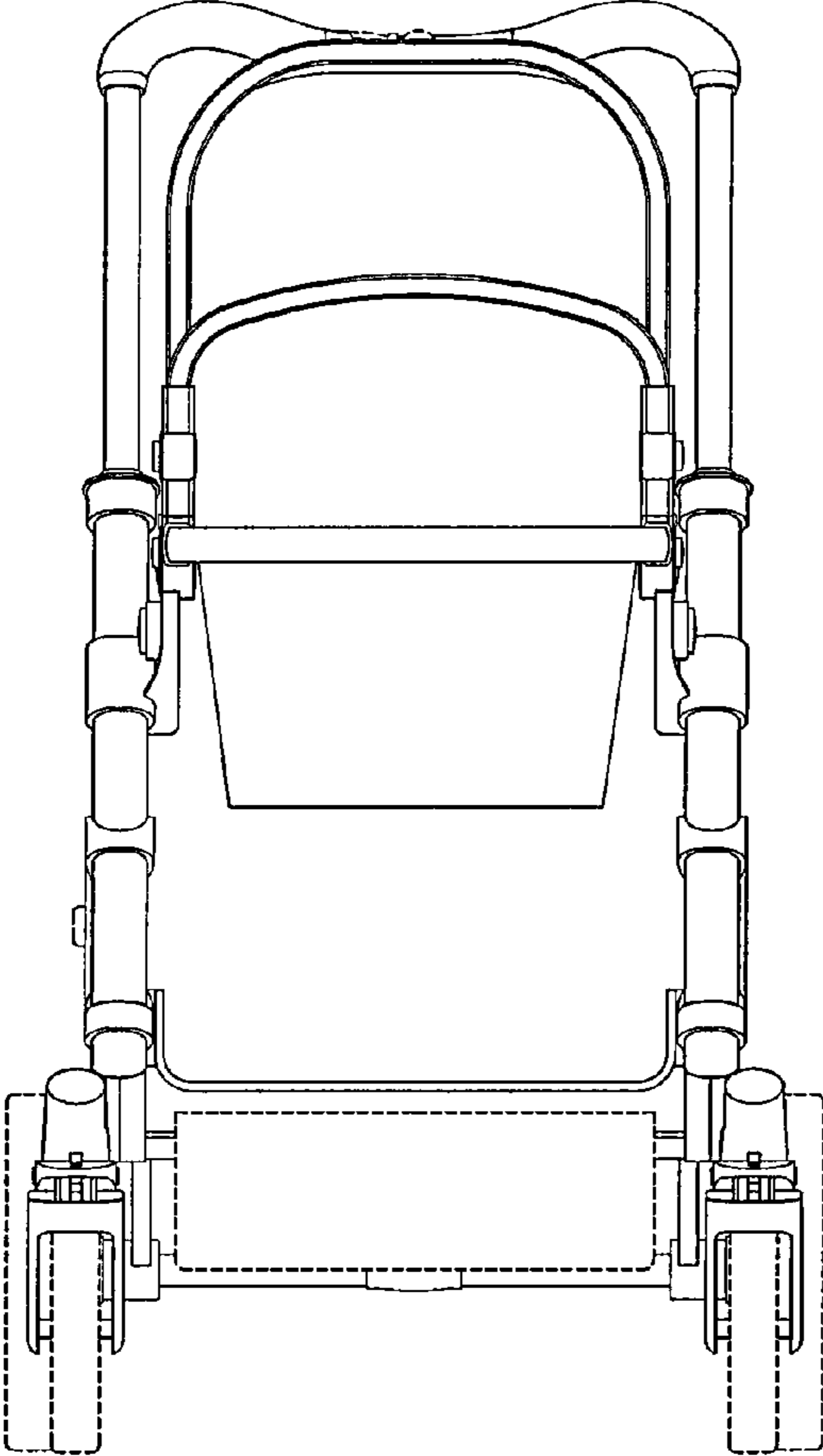


FIG. 9

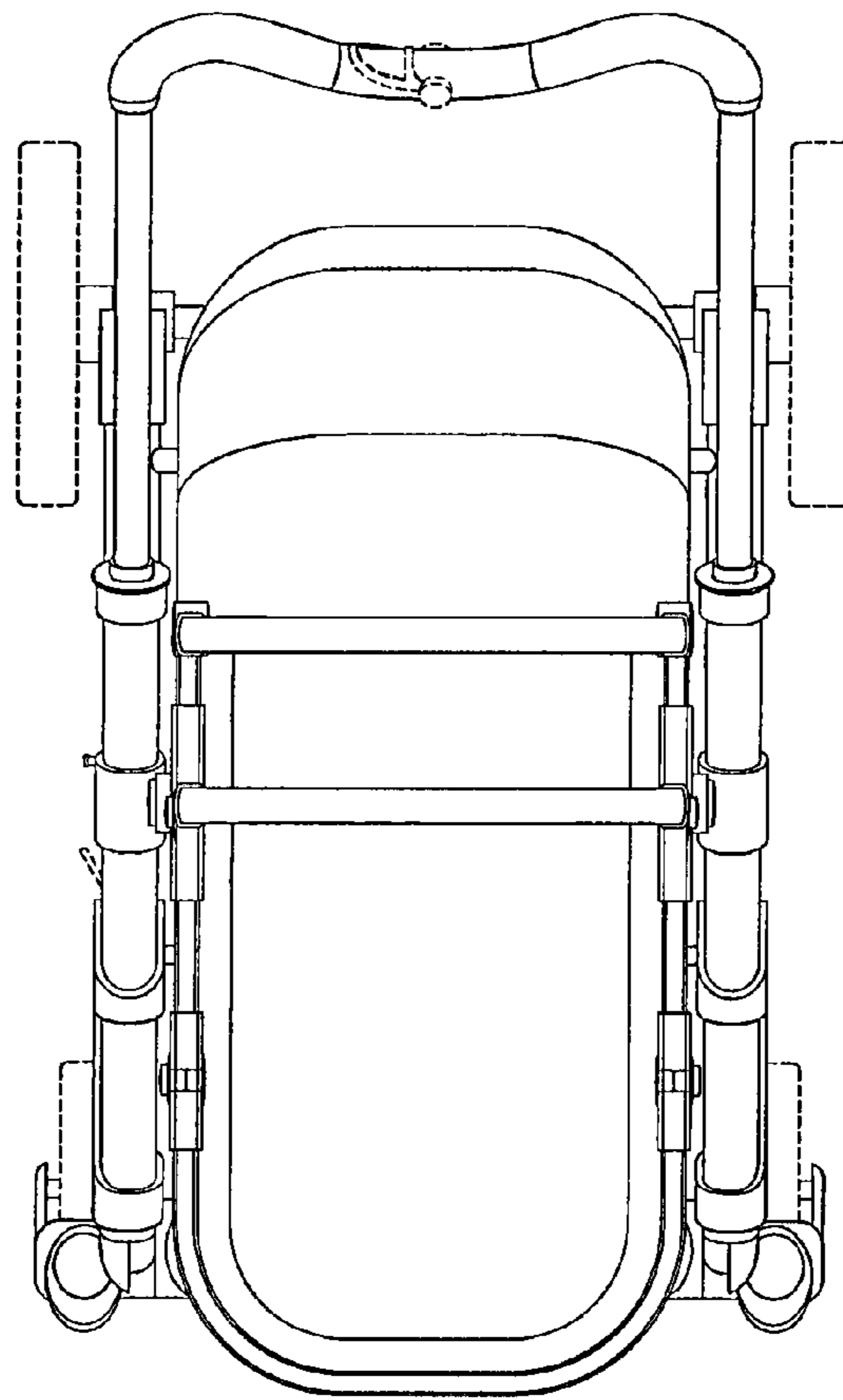


FIG. 10

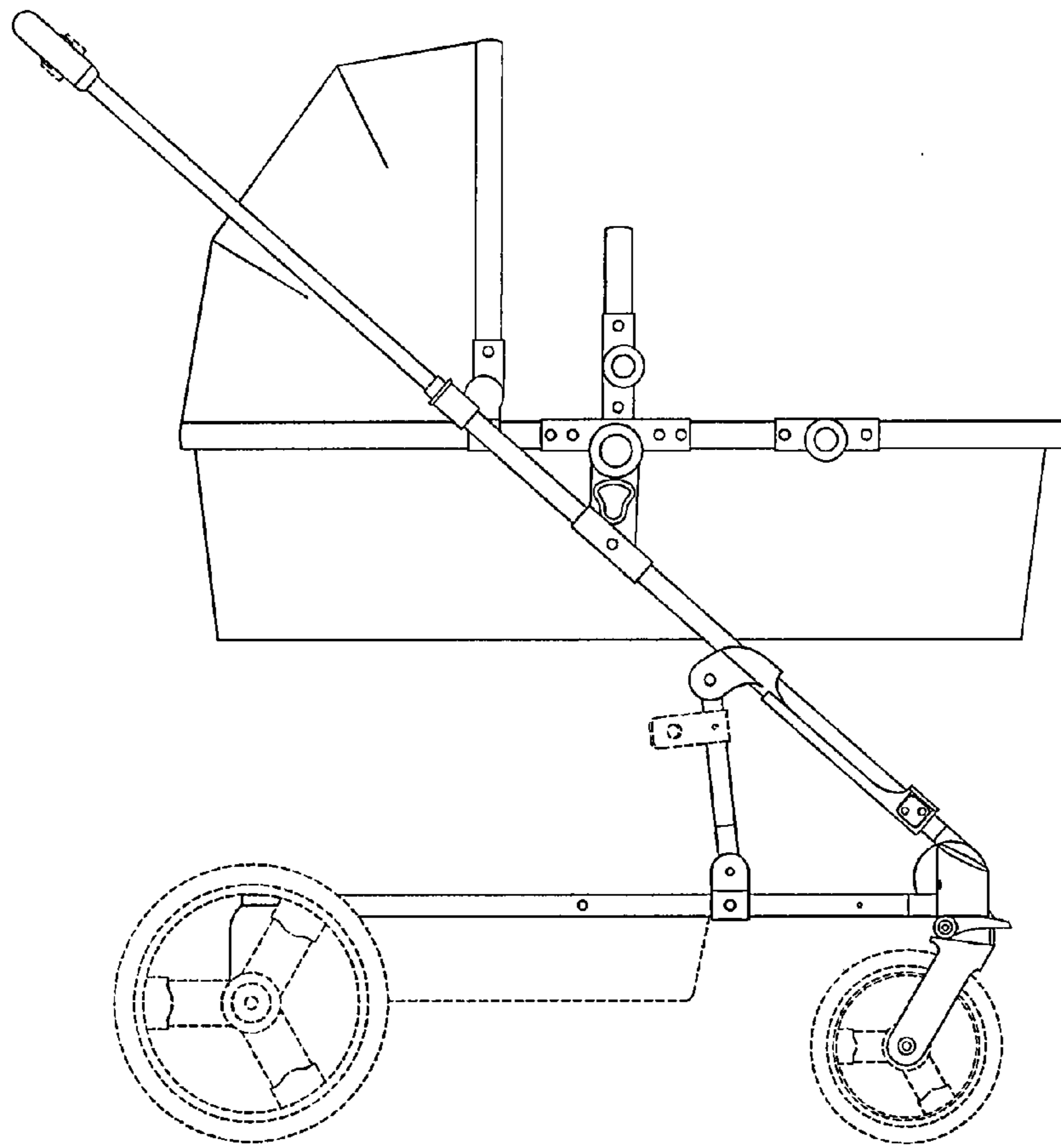


FIG. 11

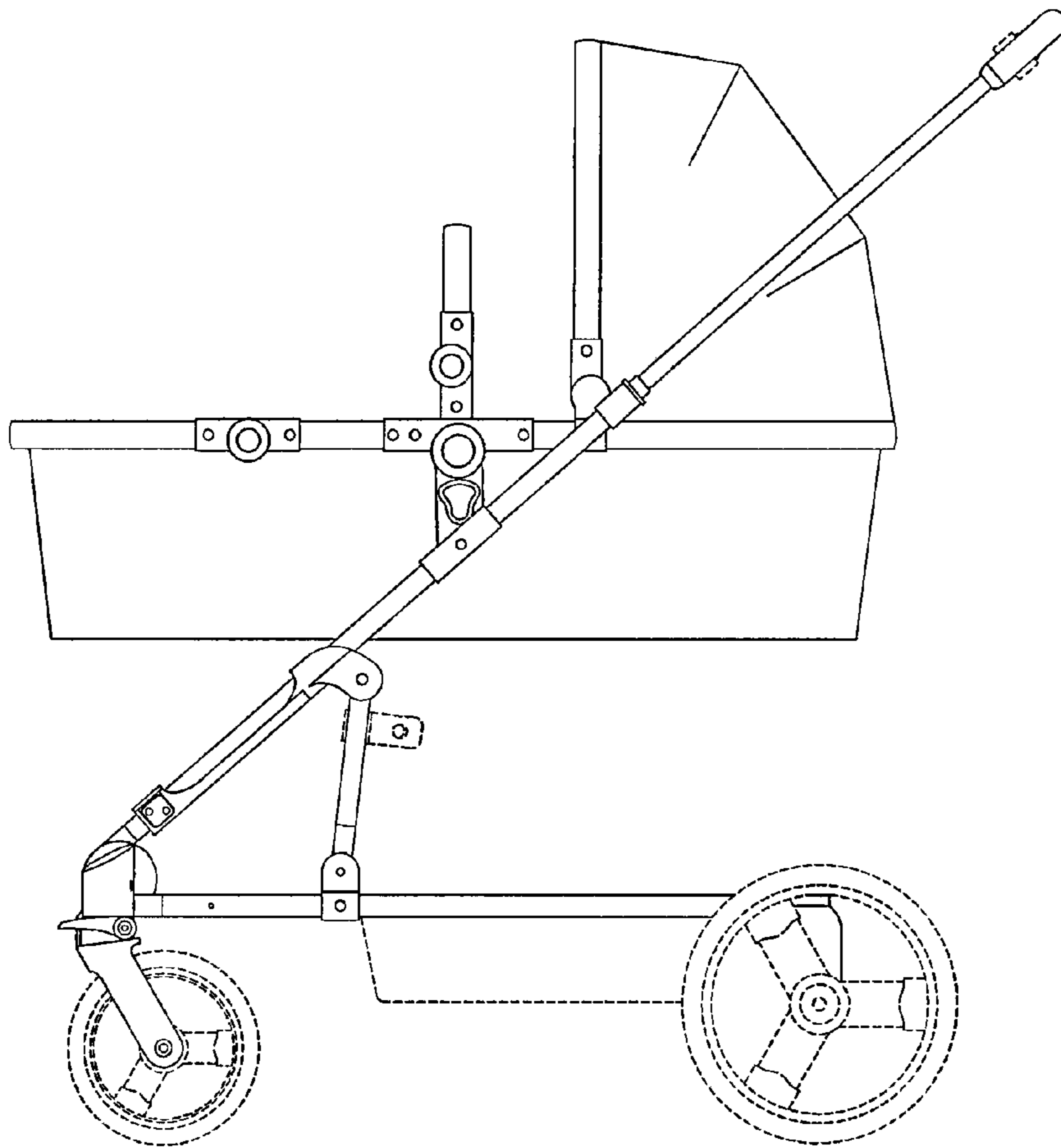


FIG. 12

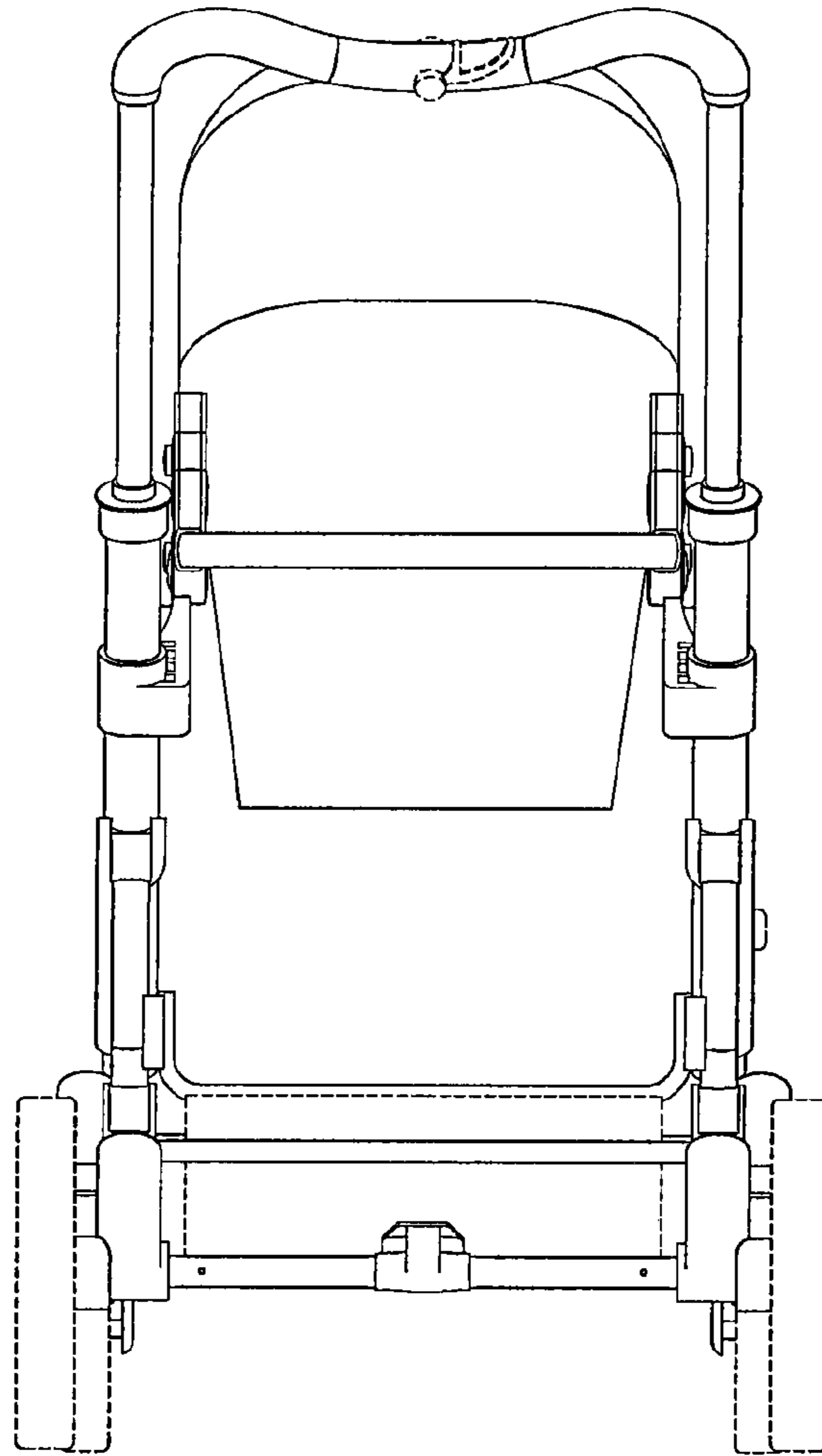


FIG. 13

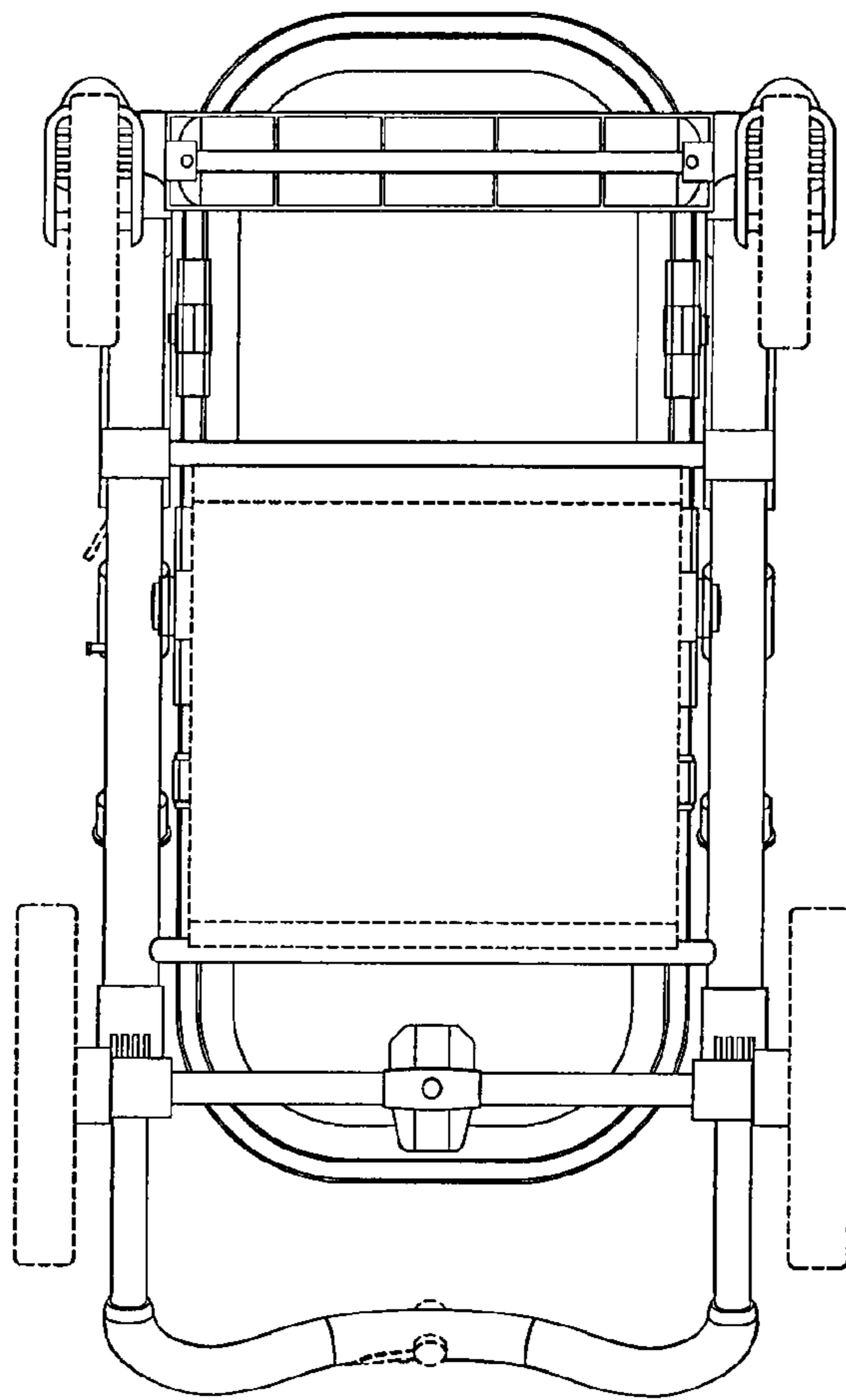


FIG. 14



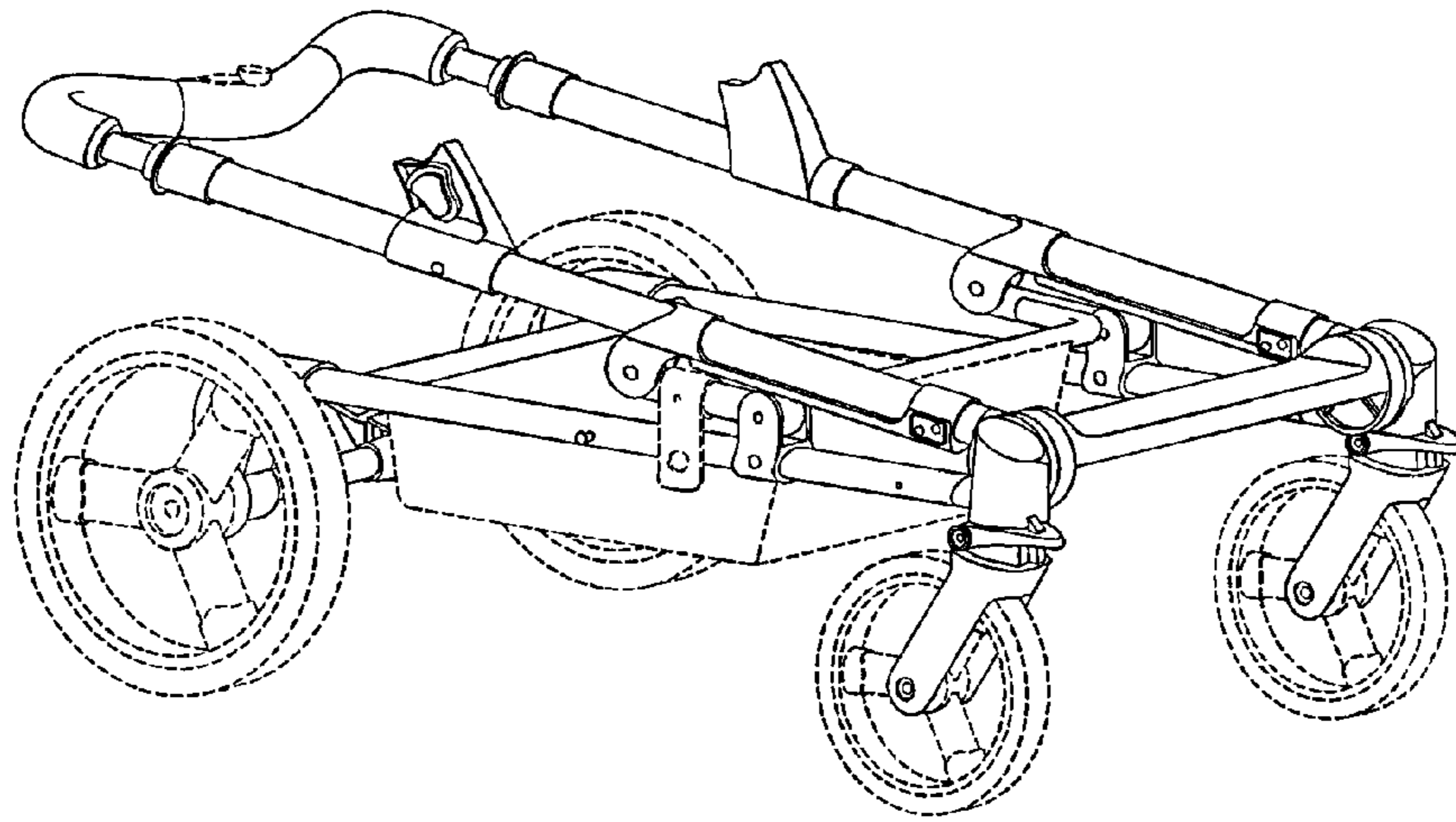


FIG. 15

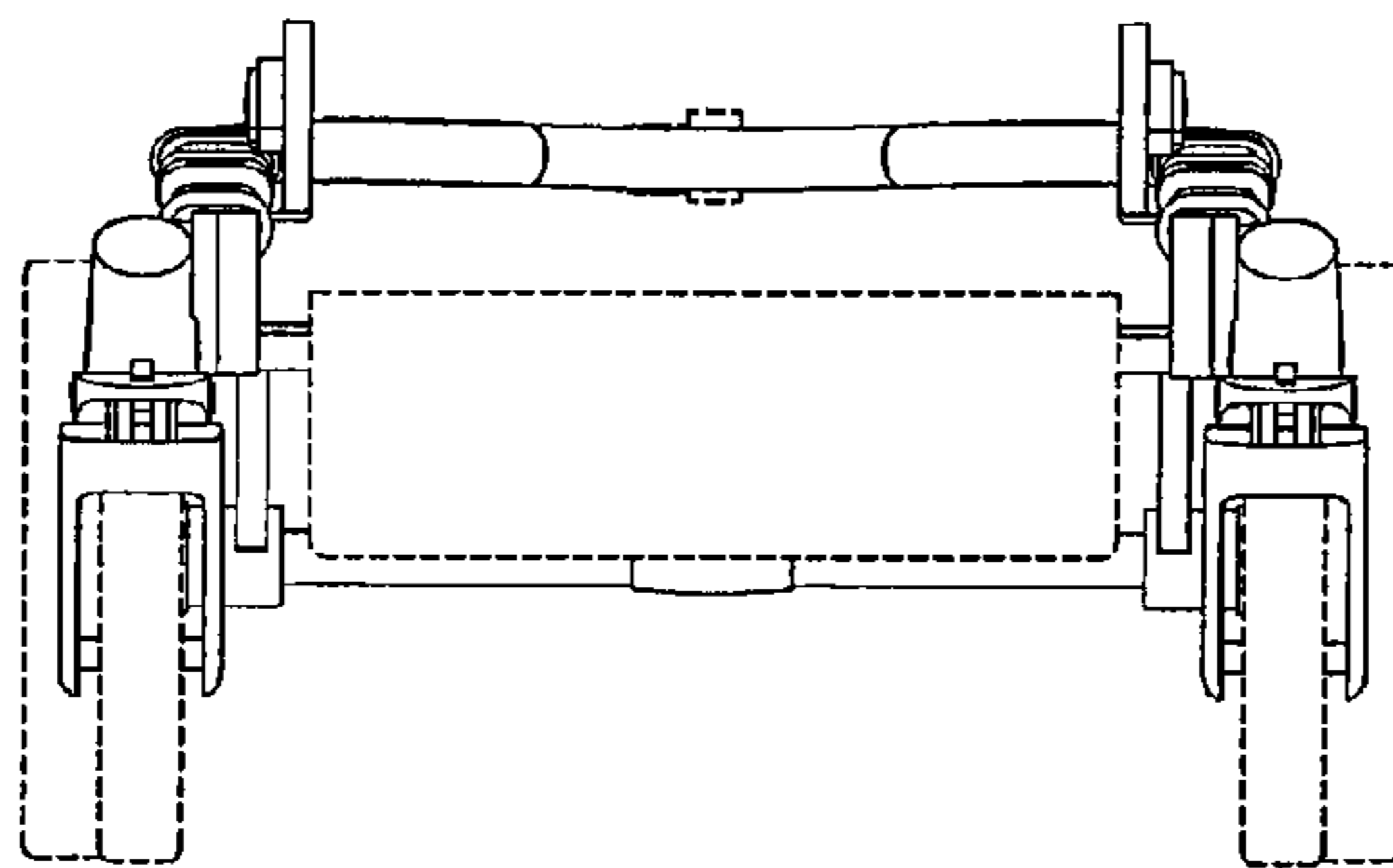


FIG. 16

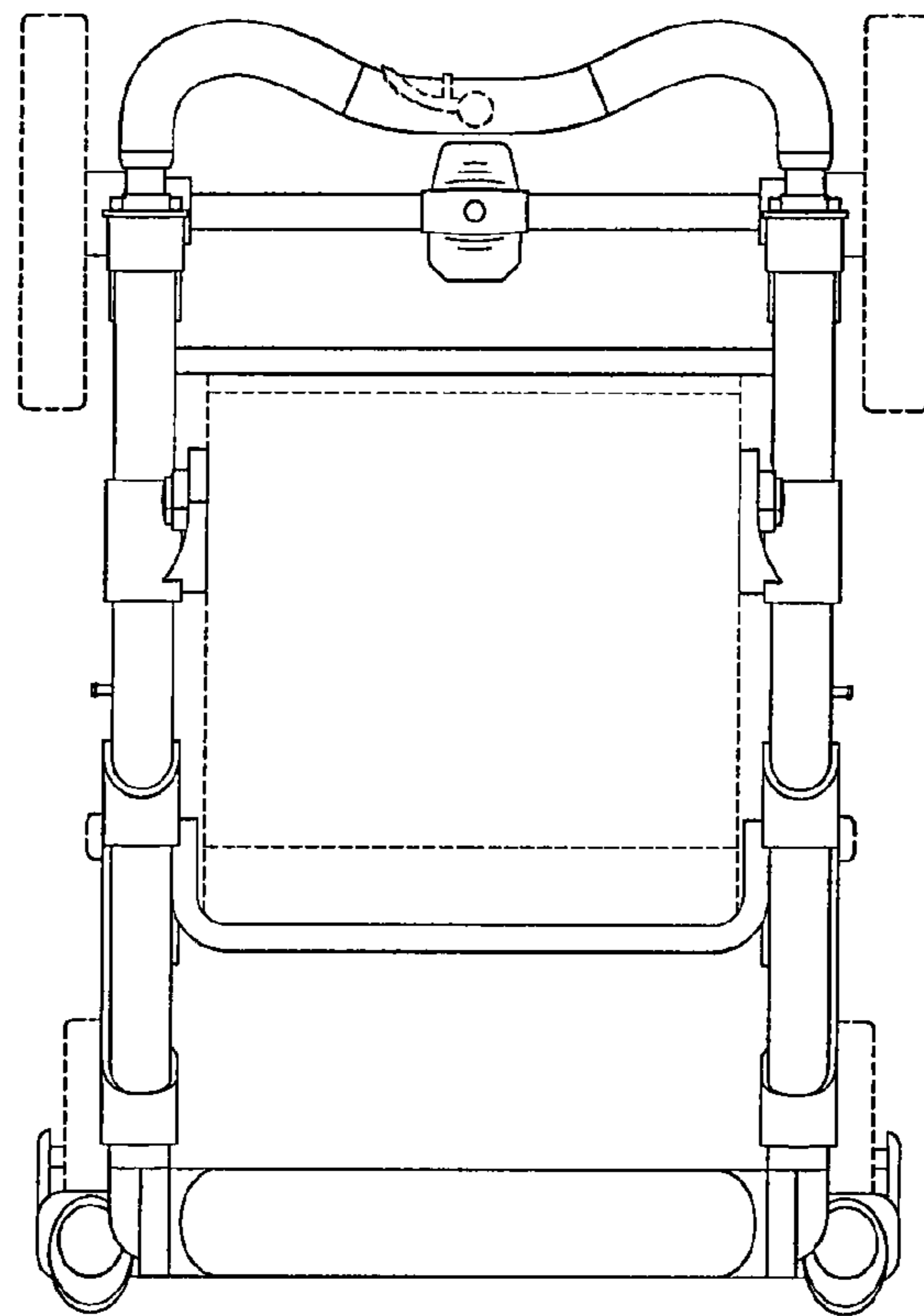


FIG. 17

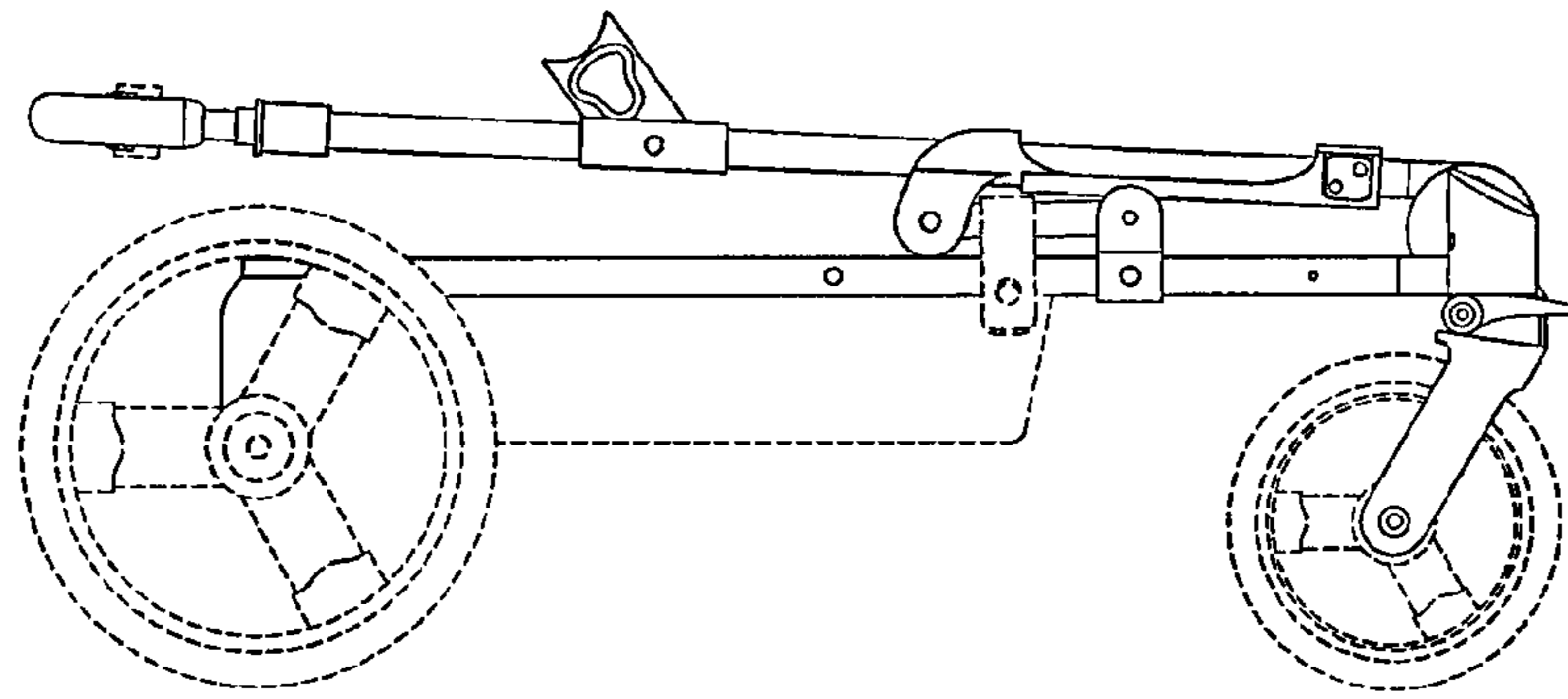


FIG. 18

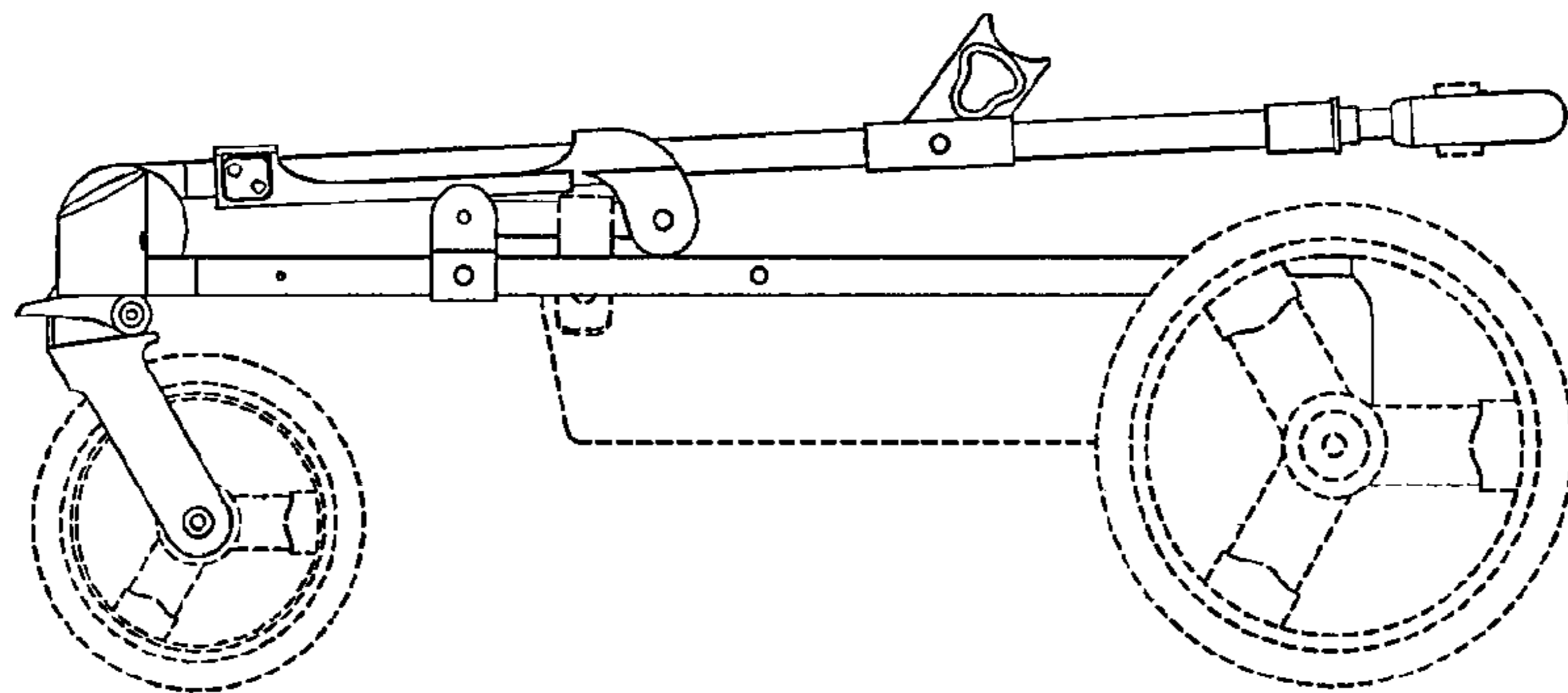
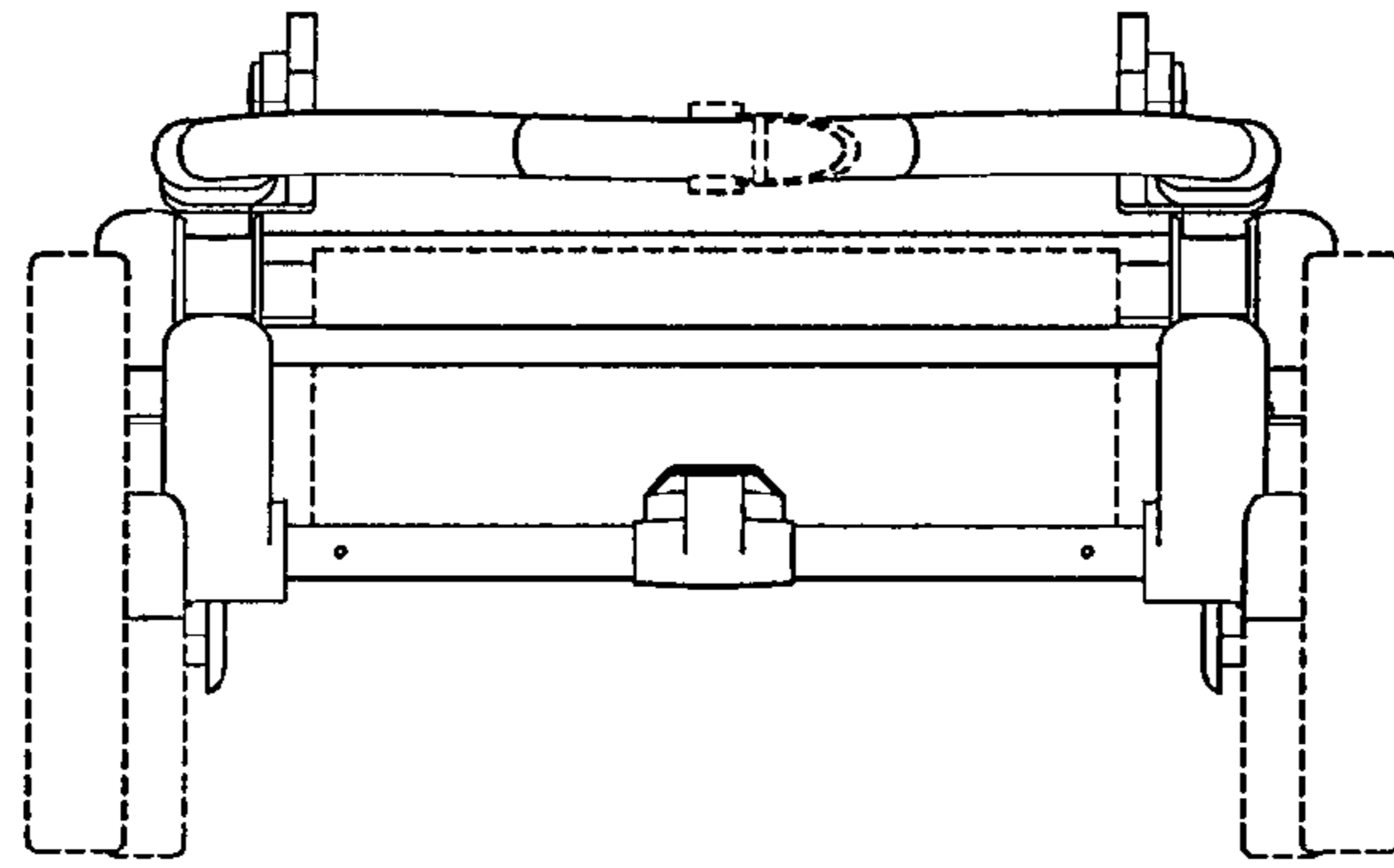
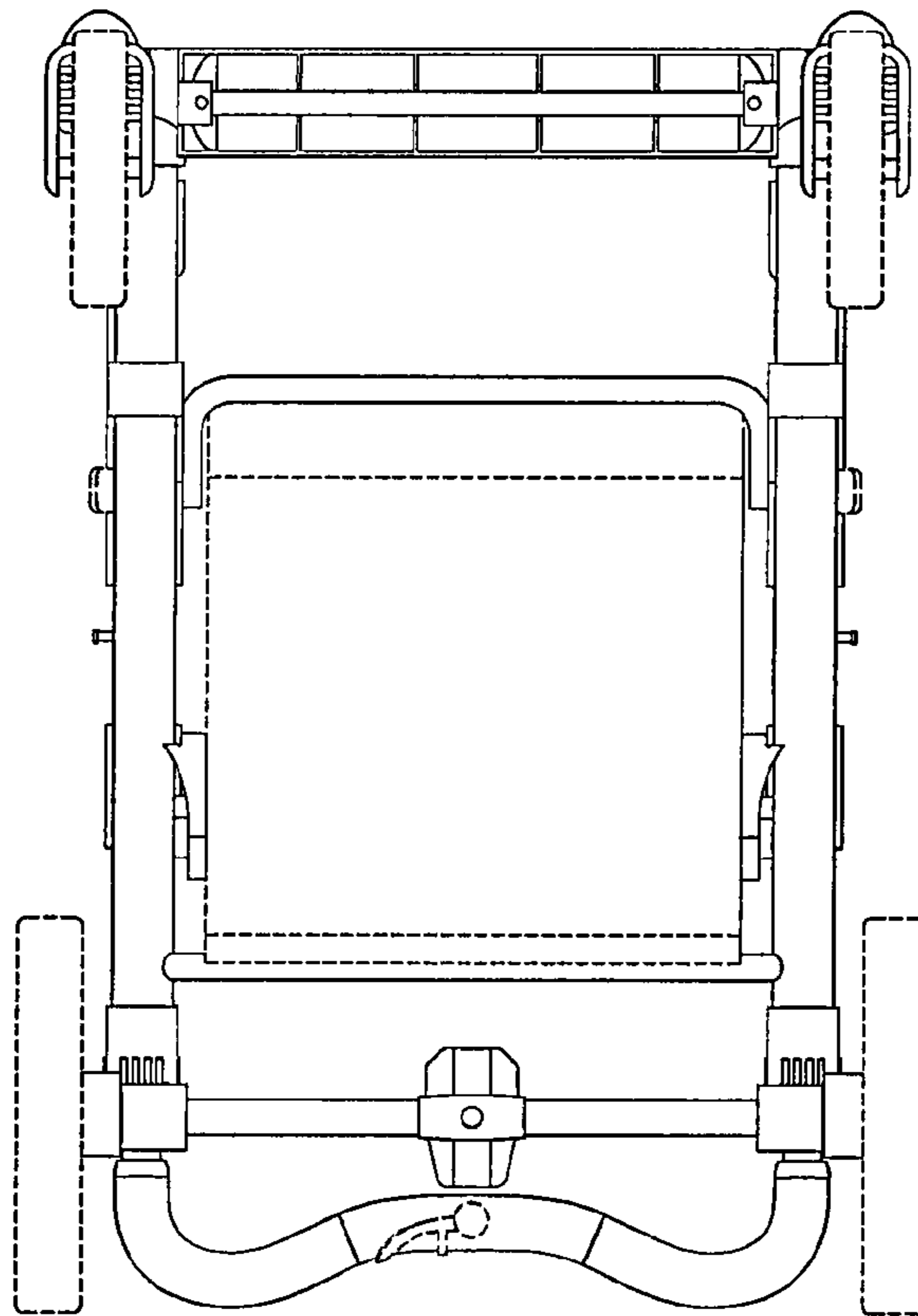


FIG. 19



*FIG. 20*



*FIG. 21*