



US00D742791S

(12) **United States Design Patent**
Sanderson et al.

(10) **Patent No.:** **US D742,791 S**

(45) **Date of Patent:** **** Nov. 10, 2015**

- (54) **MOTOR SCOOTER**
- (71) Applicants: **Francis Henry Sanderson**, Lancashire (GB); **Kevin John Hardcastle**, Lancashire (GB); **Paolino Melici**, Lancashire (GB)
- (72) Inventors: **Francis Henry Sanderson**, Lancashire (GB); **Kevin John Hardcastle**, Lancashire (GB); **Paolino Melici**, Lancashire (GB)
- (73) Assignee: **Scomadi Limited** (GB)
- (**) Term: **14 Years**
- (21) Appl. No.: **29/491,180**
- (22) Filed: **May 19, 2014**
- (30) **Foreign Application Priority Data**
Nov. 20, 2013 (EP) 001390454
- (51) **LOC (10) Cl.** **12-11**
- (52) **U.S. Cl.**
USPC **D12/110**
- (58) **Field of Classification Search**
USPC D12/109, 110, 111, 114, 117, 126, 184, D12/186; D21/432, 458, 538; 180/210-217, 180/219, 220, 225, 229, 908; 280/103, 124, 280/152.1-152.3, 288.2, 288.4, 304.3, 770, 280/827, 828, 847, 848; 296/77.1, 78.1, 296/181.1, 187.01, 187.12, 192, 193.01, 296/193.04, 193.05, 193.09; 446/440
CPC B62D 37/00; B62D 57/00; B62K 9/00; B62K 11/04; B62K 17/00; B62K 19/48; B62M 7/12; F02B 61/02; A63H 17/21; B62J 17/00; B62J 17/04; B62J 29/00
See application file for complete search history.

- (56) **References Cited**
U.S. PATENT DOCUMENTS
4,536,005 A * 8/1985 Tanaka B62J 17/06 16/334
4,715,465 A * 12/1987 Takahashi B62J 17/00 180/219

4,719,983 A *	1/1988	Bruzzone	B62K 13/00 180/183
4,800,980 A *	1/1989	Hideo	B62J 7/04 180/225
D314,166 S *	1/1991	Shively	D12/110
D361,741 S *	8/1995	Sofue	D12/110
D399,174 S *	10/1998	Takeshita	D12/110
D480,661 S *	10/2003	Kawawa	D12/110
D490,750 S *	6/2004	Hoshino	D12/110
D503,908 S *	4/2005	Tomomatsu	D12/110
D514,987 S *	2/2006	Hsiao	D12/110
D529,415 S *	10/2006	Shimada	D12/110
D537,386 S *	2/2007	Mizuta	D12/110
D537,756 S *	3/2007	Kitayama	D12/110
D574,300 S *	8/2008	Kitayama	D12/110
D602,402 S *	10/2009	Takahashi	D12/110
D610,490 S *	2/2010	Wong	D12/110
D629,721 S *	12/2010	Takeo	D12/110
D644,961 S *	9/2011	Watanabe	D12/110
D654,402 S *	2/2012	Lambri	D12/110
D657,722 S *	4/2012	Lambri	D12/110
D662,860 S *	7/2012	Devernay	D12/110
D670,205 S *	11/2012	Takakuwa	D12/110
D678,128 S *	3/2013	Lambri	D12/110
D678,129 S *	3/2013	Kubota	D12/110
D726,076 S *	4/2015	Arai	D12/114

* cited by examiner

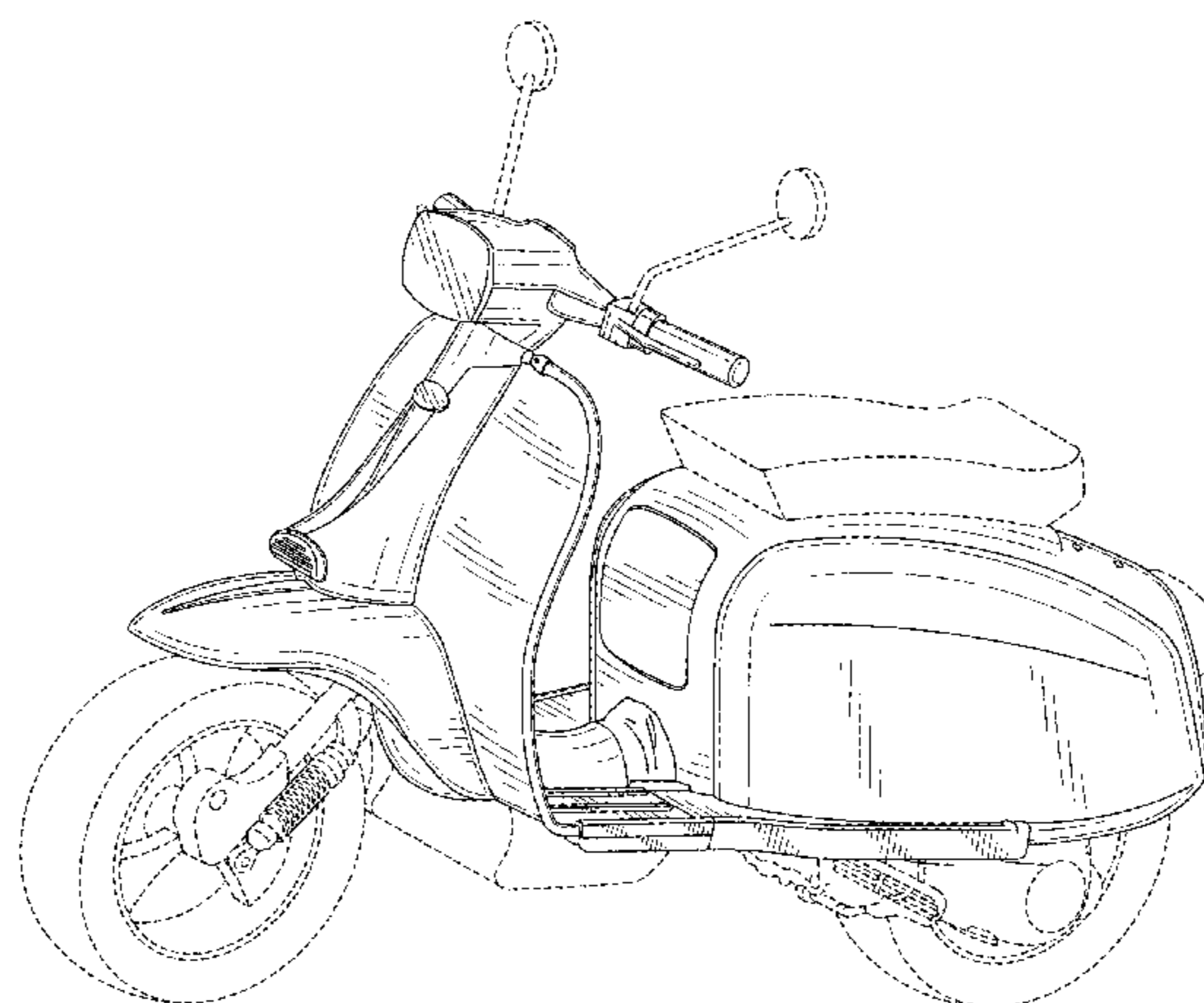
Primary Examiner — Philip S Hyder
Assistant Examiner — Darlington Ly
(74) *Attorney, Agent, or Firm* — Salter & Michaelson

(57) **CLAIM**
The ornamental design for a motor scooter, as shown and described.

DESCRIPTION

FIG. 1 is a left side elevational view of a motor scooter; FIG. 2 is a top plan view thereof; FIG. 3 is a front elevational view thereof; FIG. 4 is a front and left-side perspective view thereof; FIG. 5 is a rear elevational view thereof; and, FIG. 6 is a right side elevational view thereof.
The broken lines in the drawing illustrate portions of the motor scooter that forms no part of the claimed design.

1 Claim, 6 Drawing Sheets



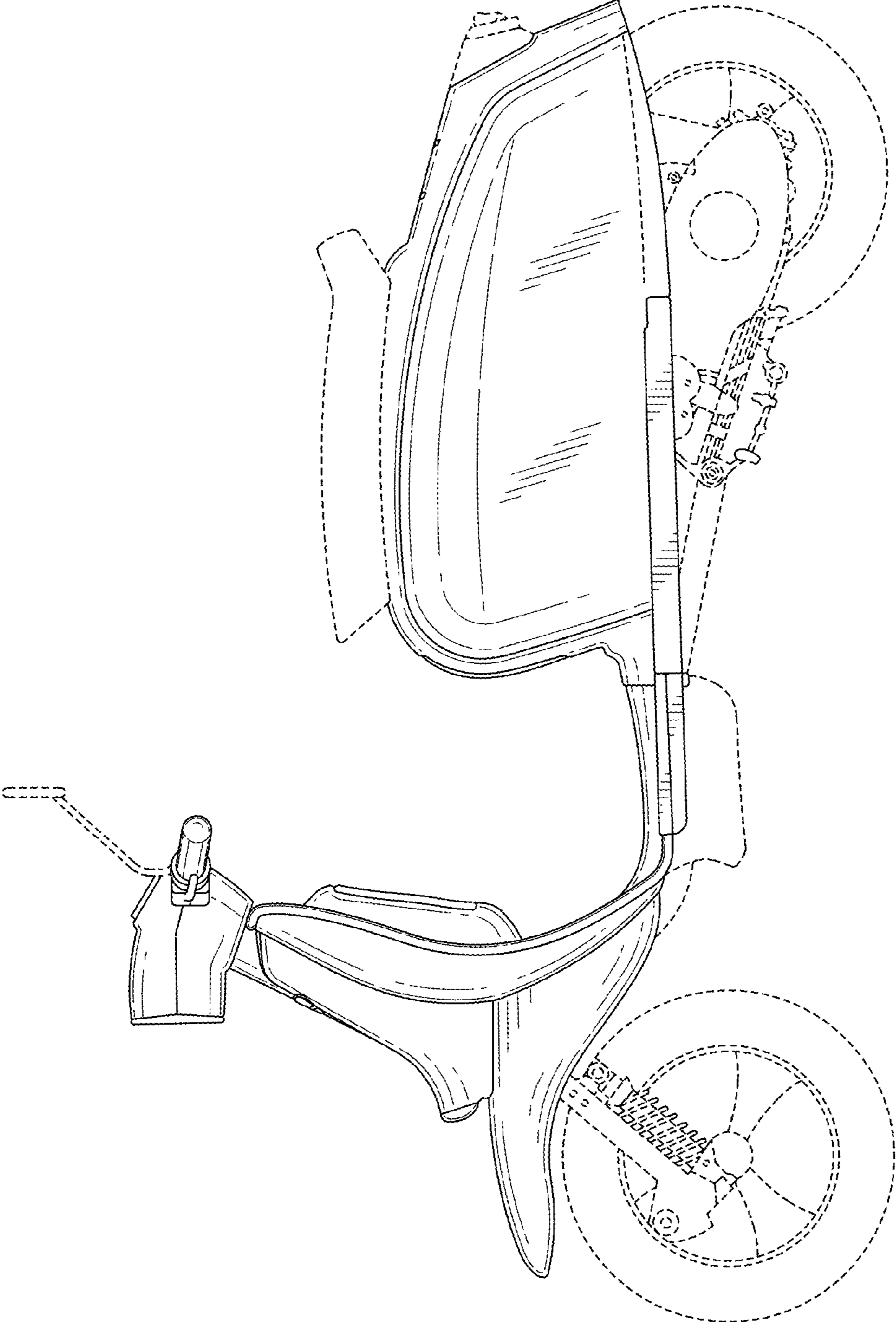


FIG. 1

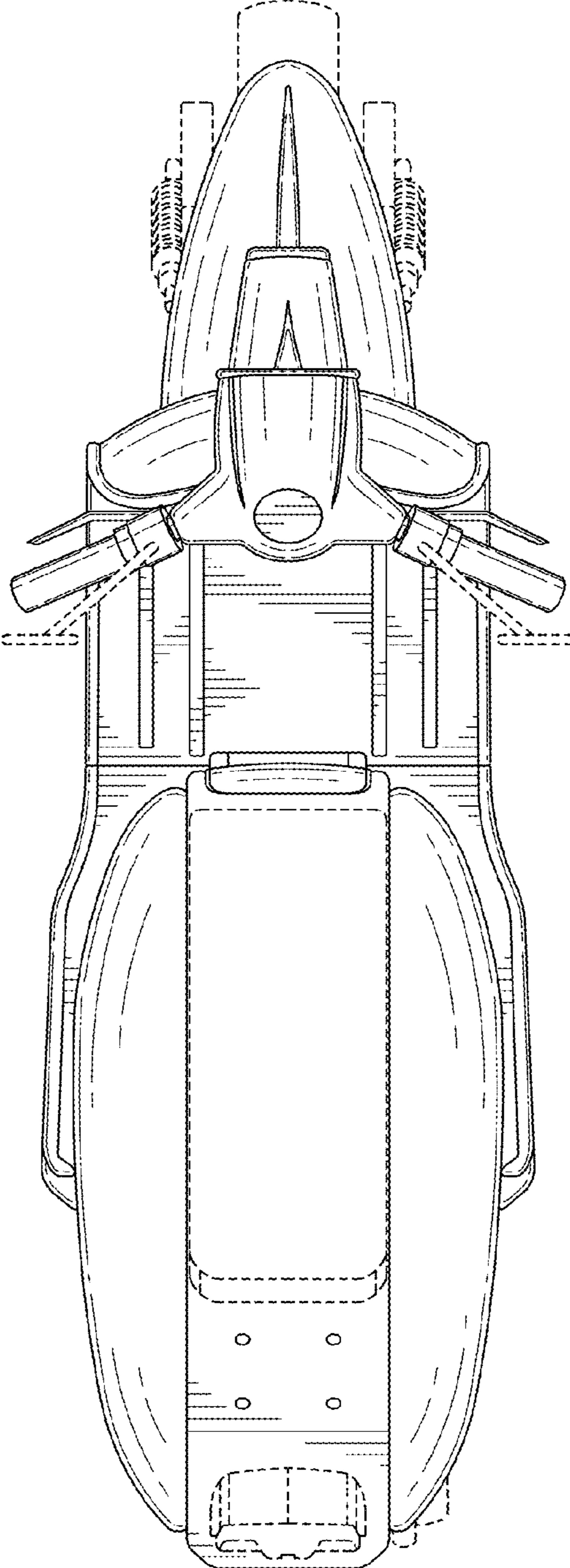


FIG. 2

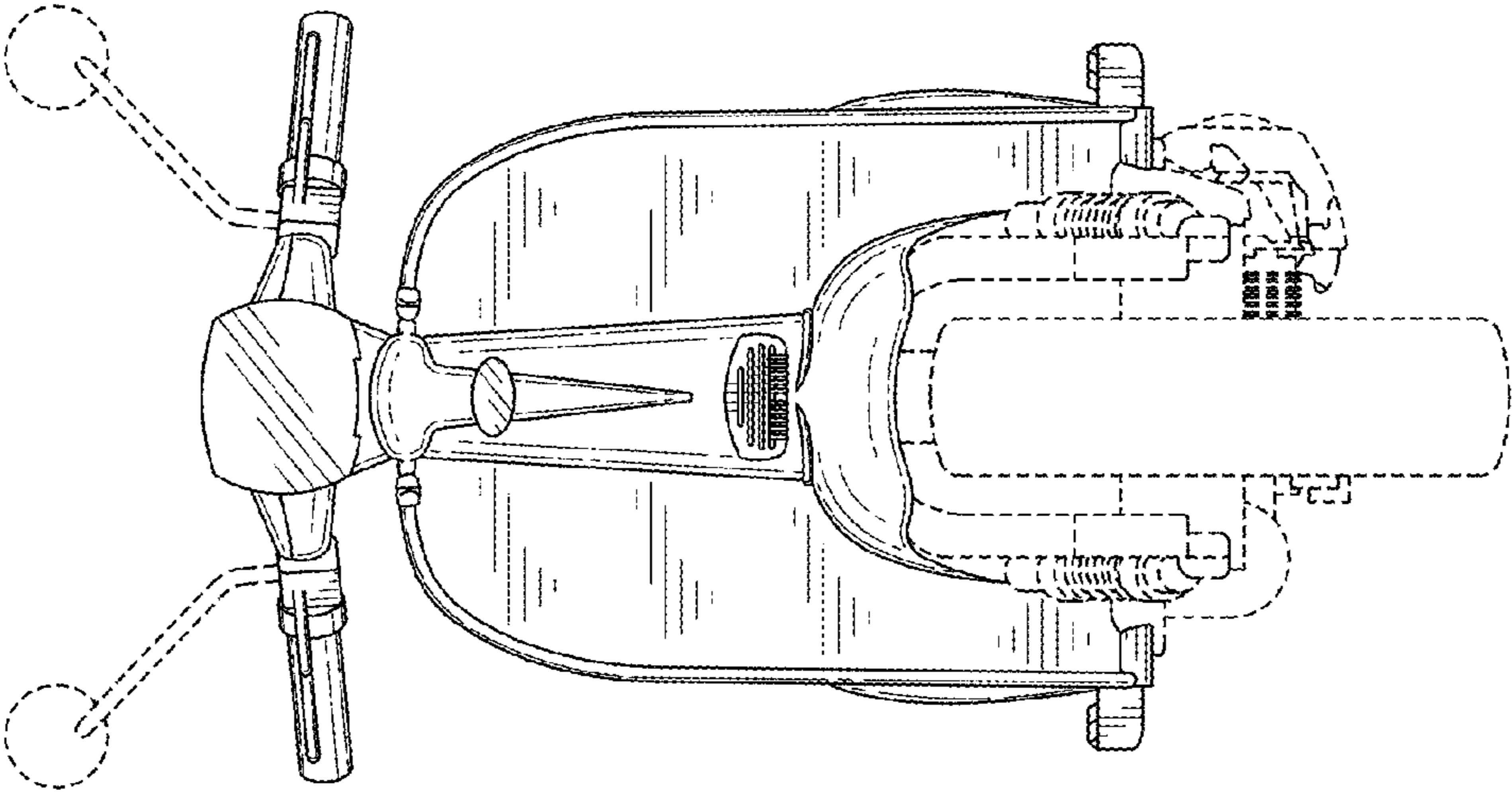


FIG. 3

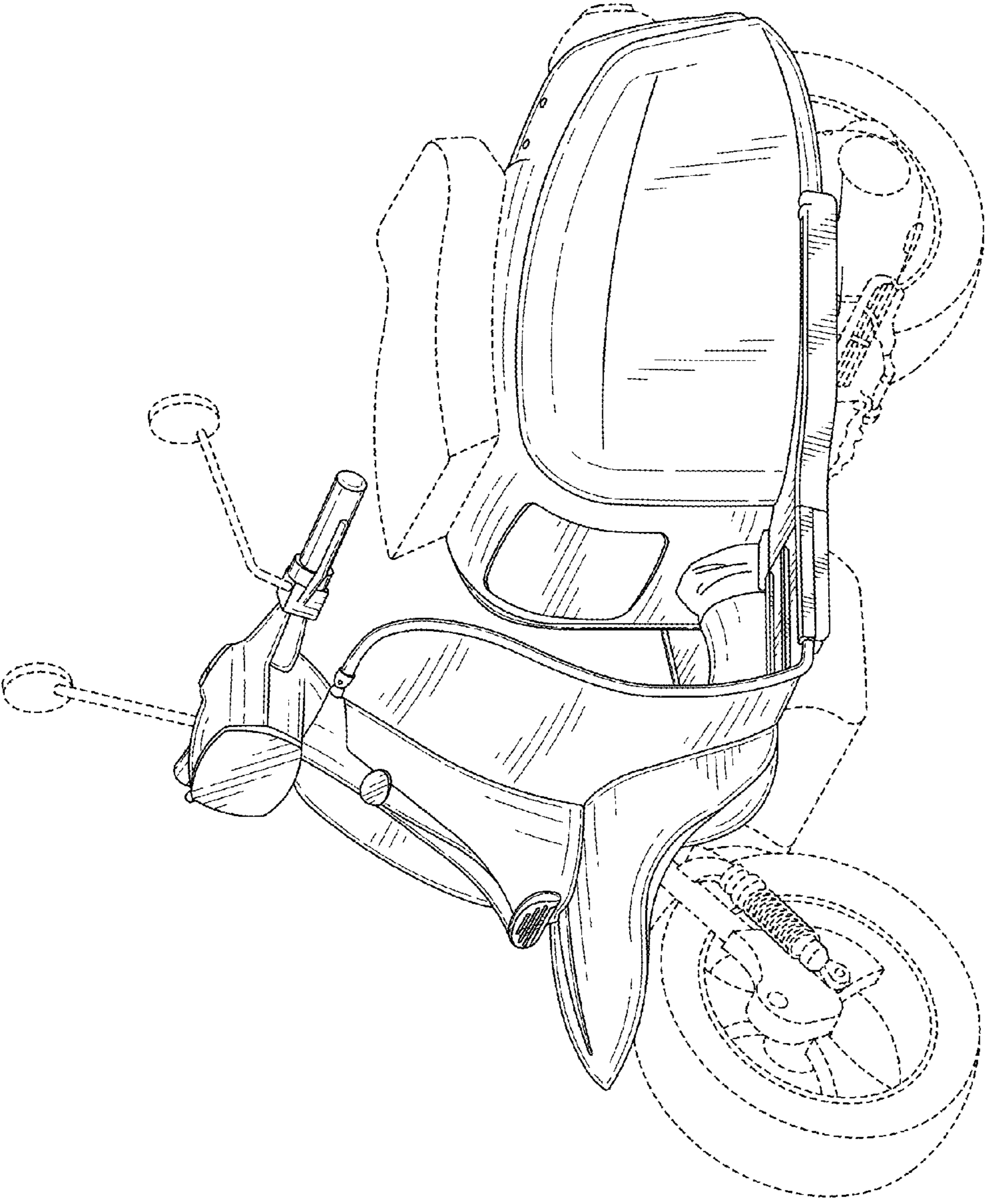


FIG. 4

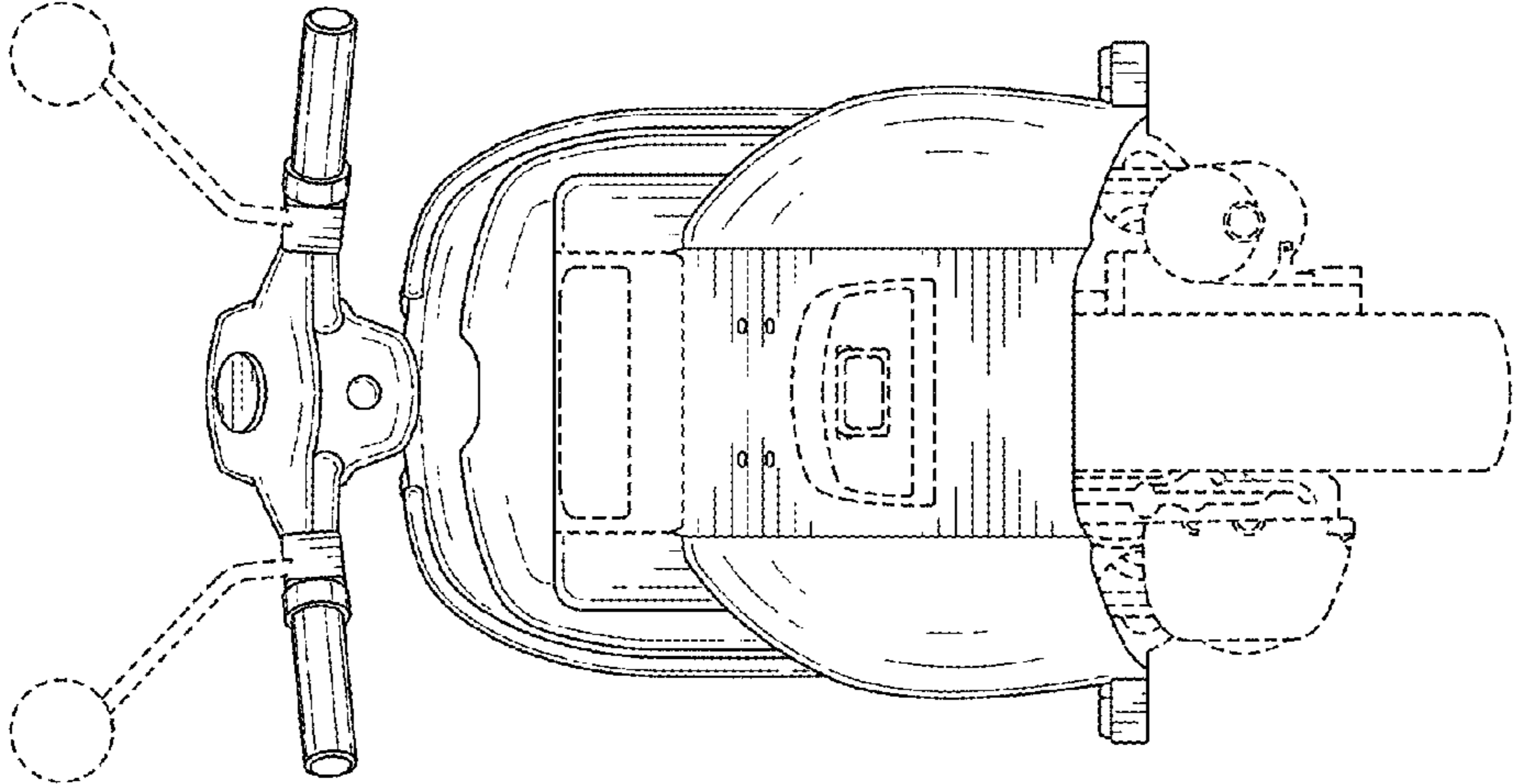


FIG. 5

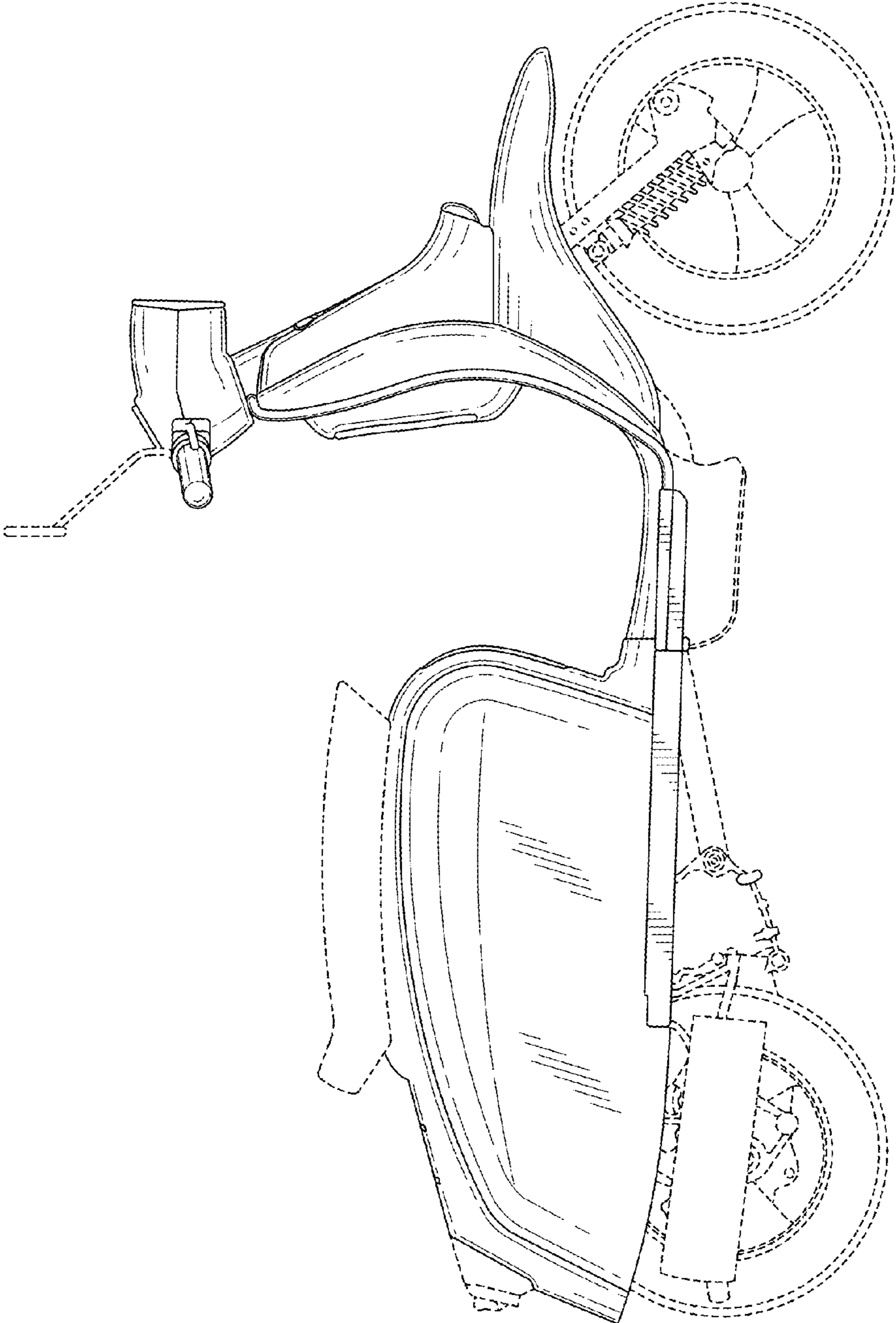


FIG. 6