



US00D742787S

(12) **United States Design Patent**
Schoenbeck et al.

(10) **Patent No.:** **US D742,787 S**
(45) **Date of Patent:** **** Nov. 10, 2015**

(54) **CONNECTOR PIECE**

(71) Applicant: **ST. ANTONI LLC**, Woodland Hills, CA (US)

(72) Inventors: **Dewi Schoenbeck**, Calabasas, CA (US);
John Schoenbeck, Calabasas, CA (US)

(**) Term: **14 Years**

(21) Appl. No.: **29/494,539**

(22) Filed: **Jun. 20, 2014**

(51) **LOC (10) CI.** **02-07**

(52) **U.S. CI.**
USPC **D11/220**

(58) **Field of Classification Search**
USPC D11/220, 22, 226, 218; 24/1, 681,
24/689-691, 18, 683, 108, 674, 692,
24/621-623, 671, 662, 618; 292/319;
D8/382
CPC A44B 1/08; A44B 17/0088
See application file for complete search history.

(56) **References Cited**

U.S. PATENT DOCUMENTS

4,165,555 A	8/1979	Boxer et al.	
5,189,767 A	3/1993	Reitsma	
D382,223 S *	8/1997	Harrison	D11/80
5,918,318 A	7/1999	Jones	
5,970,524 A	10/1999	Becker et al.	
5,974,590 A	11/1999	Stubbs	
6,032,294 A	3/2000	Dean	
6,185,751 B1	2/2001	Mason	
D442,113 S *	5/2001	Nisguretsky	D11/86
D503,646 S *	4/2005	Rapport	D11/3
6,990,694 B2	1/2006	Poole	
D552,003 S	10/2007	Lecut	
7,302,712 B2	12/2007	Abrusia et al.	
D579,194 S *	10/2008	Caylor	D2/976
D613,938 S *	4/2010	Alexander	D2/976
D627,146 S *	11/2010	Kantor et al.	D2/976
D631,780 S	2/2011	Levy	

7,905,111 B2 *	3/2011	Saltz	63/3
D653,153 S *	1/2012	Froehlich	D11/89
D668,576 S *	10/2012	Outland	D11/79
D673,874 S	1/2013	Long et al.	
8,359,671 B1	1/2013	Glass et al.	
D705,695 S *	5/2014	Wall	D11/93
D707,584 S	6/2014	Webb	

(Continued)

FOREIGN PATENT DOCUMENTS

FR	2840511 A1	12/2003
WO	WO 2012/095310 A1	7/2013

OTHER PUBLICATIONS

Schmuck Fachshop, "Schmuck Kreuz," Retrieved from Internet on Aug. 19, 2014, URL: <<http://www.bigis-schatzkiste.de/schmuckshop/Anhaenger/Kreuzanhaenger/Kreuzanhaenger-verschlungen>>.

(Continued)

Primary Examiner — Zenia Bennett

(74) *Attorney, Agent, or Firm* — Brooks Acordia IP Law, P.C.; Douglas N. Larson

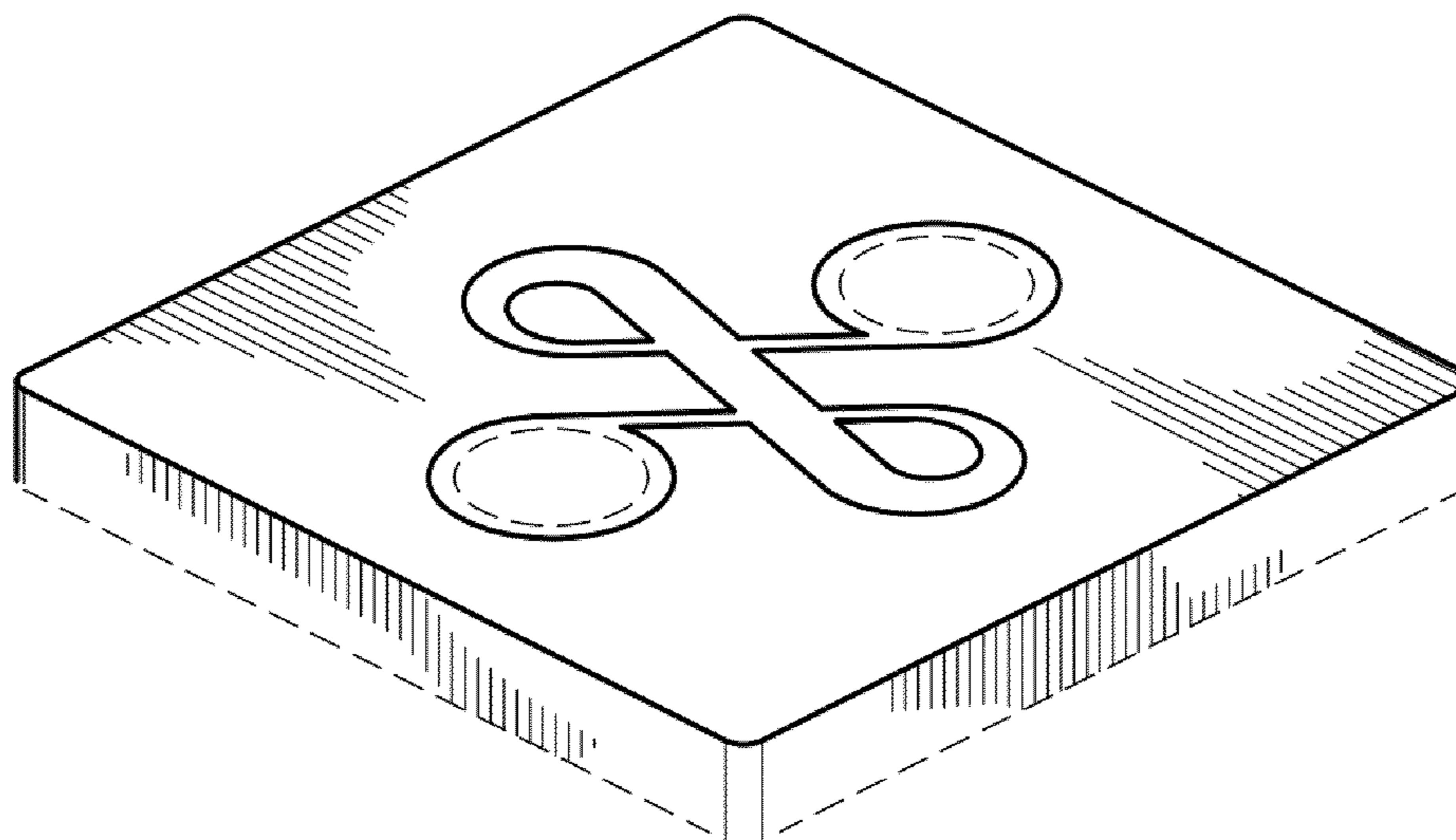
(57) **CLAIM**

We claim the ornamental design for a connector piece, substantially as shown and described.

DESCRIPTION

FIG. 1 is a top perspective view of a connector piece showing our new design;
FIG. 2 is a top plan view thereof;
FIG. 3 is an elevational view of the right side thereof; the left side being a mirror image thereof; and,
FIG. 4 is an elevational view of the front side thereof; the rear side being a mirror image thereof.
The dotted line showings in the drawings are included for the purpose of illustrating environmental structure and form no part of the claimed design.

1 Claim, 1 Drawing Sheet



(56)

References Cited

OTHER PUBLICATIONS

U.S. PATENT DOCUMENTS

D712,773	S	9/2014	Mounce
D727,613	S	4/2015	Schoenbeck et al.
2008/0222778	A1	9/2008	Dierssen-Morice et al.
2008/0250815	A1	10/2008	Wachler et al.
2010/0011486	A1	1/2010	Allen
2011/0209268	A1	9/2011	Smitherman
2012/0311768	A1	12/2012	Ladyzhenskaya et al.
2013/0302558	A1	11/2013	Schoenbeck et al.
2014/0090149	A1	4/2014	Zuiderveen et al.

Notice of Allowance for U.S. Appl. No. 29/494,543 mailed Dec. 8, 2014.

Restriction Requirement for U.S. Appl. No. 29/494,542 mailed Jan. 21, 2015.

Notice of Allowance for U.S. Appl. No. 29/494,542 mailed Apr. 6, 2015.

* cited by examiner

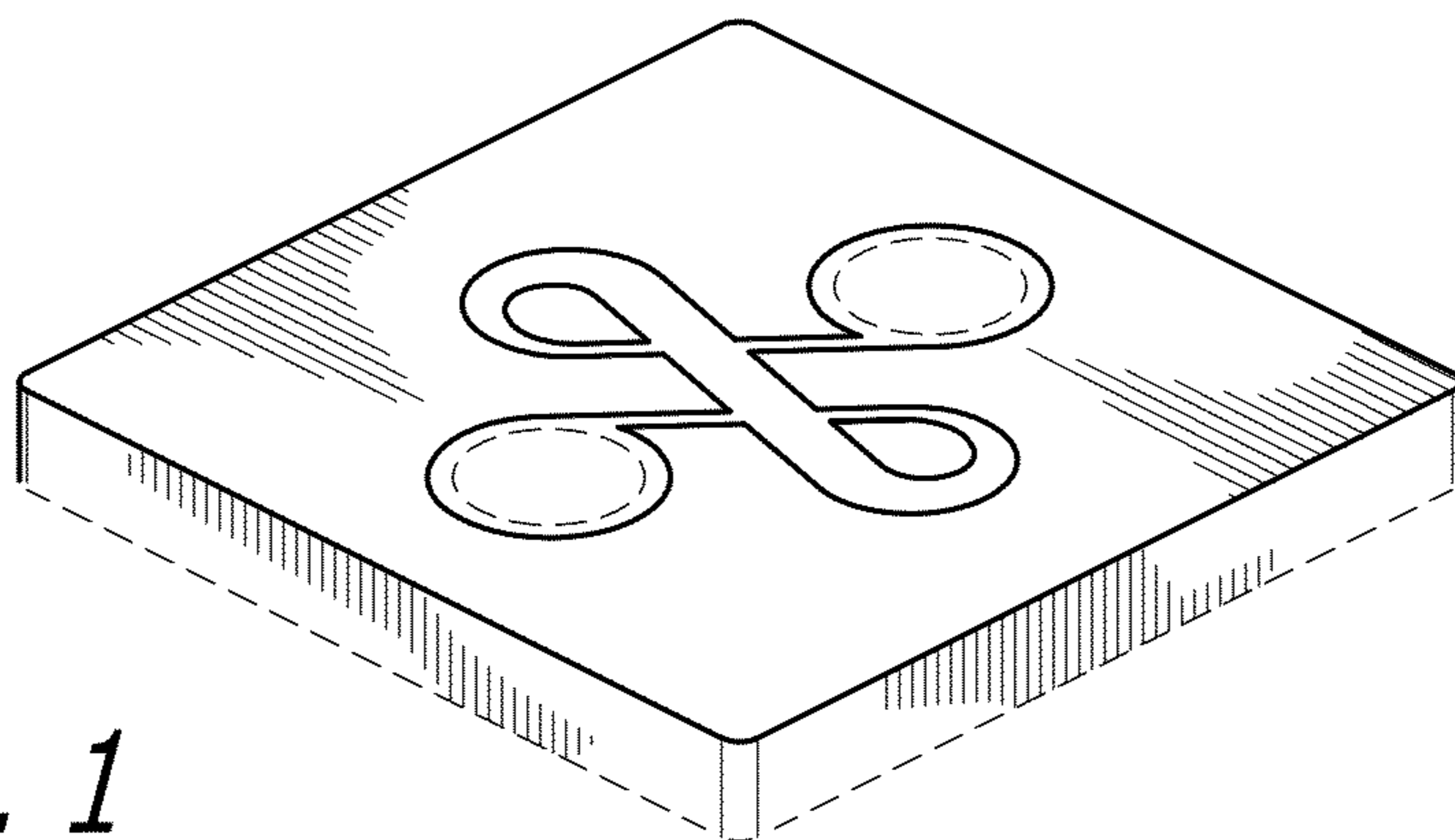


FIG. 1

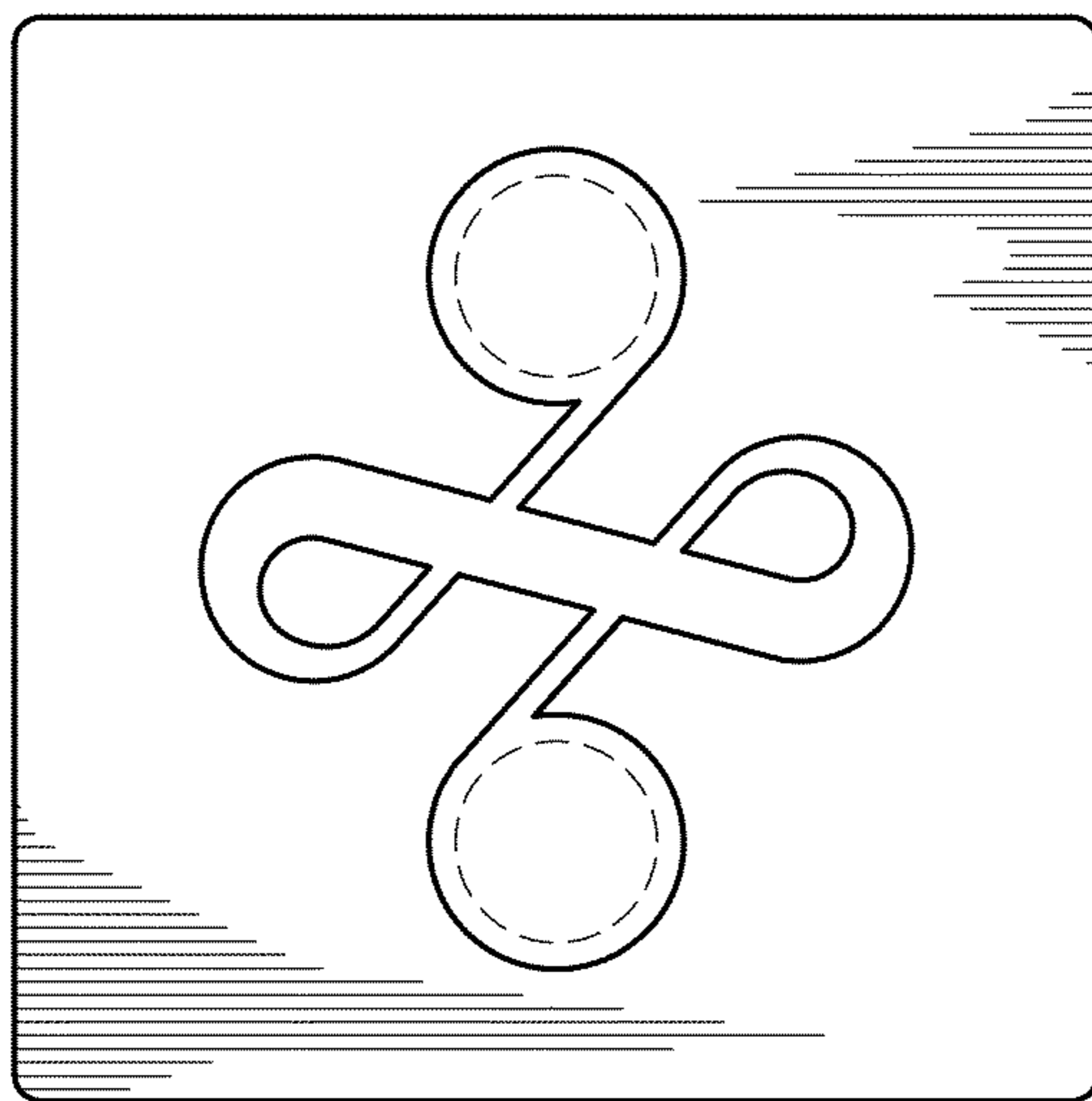


FIG. 2

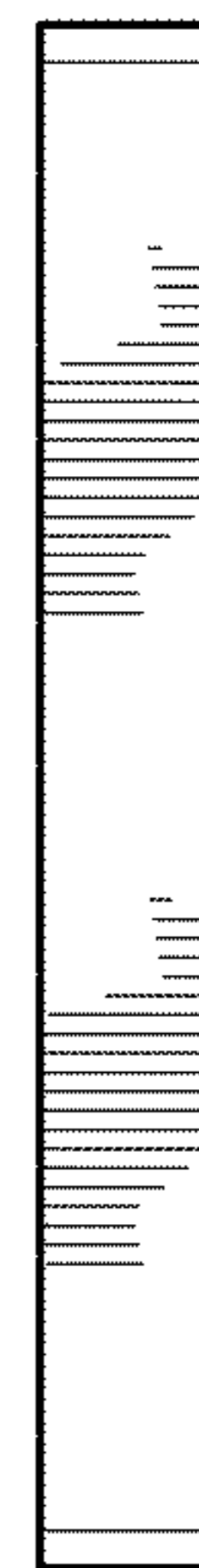


FIG. 3

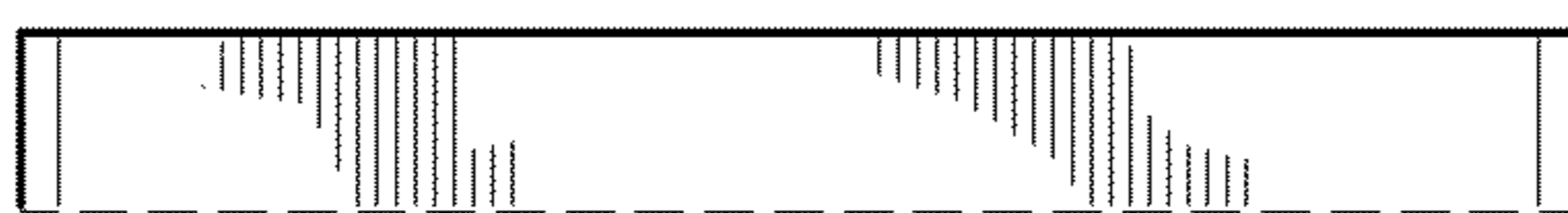


FIG. 4