



US00D742784S

(12) **United States Design Patent**
Harms

(10) **Patent No.:** **US D742,784 S**
(45) **Date of Patent:** **** Nov. 10, 2015**

(54) **HYDROPONICS GROWING CONTAINER**

(71) Applicant: **Nano Evaporative Technologies, Inc.**,
Las Vegas, NV (US)

(72) Inventor: **Jonathan S. Harms**, Las Vegas, NV
(US)

(73) Assignee: **Nano Enaporation Technologies, Inc.**,
Las Vegas, NV (US)

(**) Term: **14 Years**

(21) Appl. No.: **29/512,433**

(22) Filed: **Dec. 18, 2014**

(51) **LOC (10) Cl.** **11-02**

(52) **U.S. Cl.**
USPC **D11/152**

(58) **Field of Classification Search**
USPC D6/403, 404, 405, 556, 557, 558, 682.1,
D6/682.2; D11/143-156, 164
CPC A01G 5/04; A01G 9/02; A01G 9/022;
A01G 9/023; A01G 9/025; A01G 9/028;
A01G 9/10
See application file for complete search history.

(56) **References Cited**

U.S. PATENT DOCUMENTS

2,763,096 A * 9/1956 Roger 47/45
3,591,442 A * 7/1971 Matesi 428/10

5,047,210 A * 9/1991 Melet 422/64
5,640,802 A * 6/1997 Elliott 47/45
6,079,154 A * 6/2000 Farwell 47/66.7
7,080,482 B1 * 7/2006 Bradley 47/60
7,478,501 B2 * 1/2009 Wilbanks et al. 47/45
7,963,407 B2 * 6/2011 Donnellan 211/70
7,997,429 B2 * 8/2011 Anker 211/186
D706,164 S * 6/2014 Galvan D11/152
8,919,040 B2 * 12/2014 Galvan 47/62 R

* cited by examiner

Primary Examiner — Elizabeth Albert

(74) *Attorney, Agent, or Firm* — One3 IP Management, P.C.;
Justin G. Sanders; Dean G. Stathakis

(57) **CLAIM**

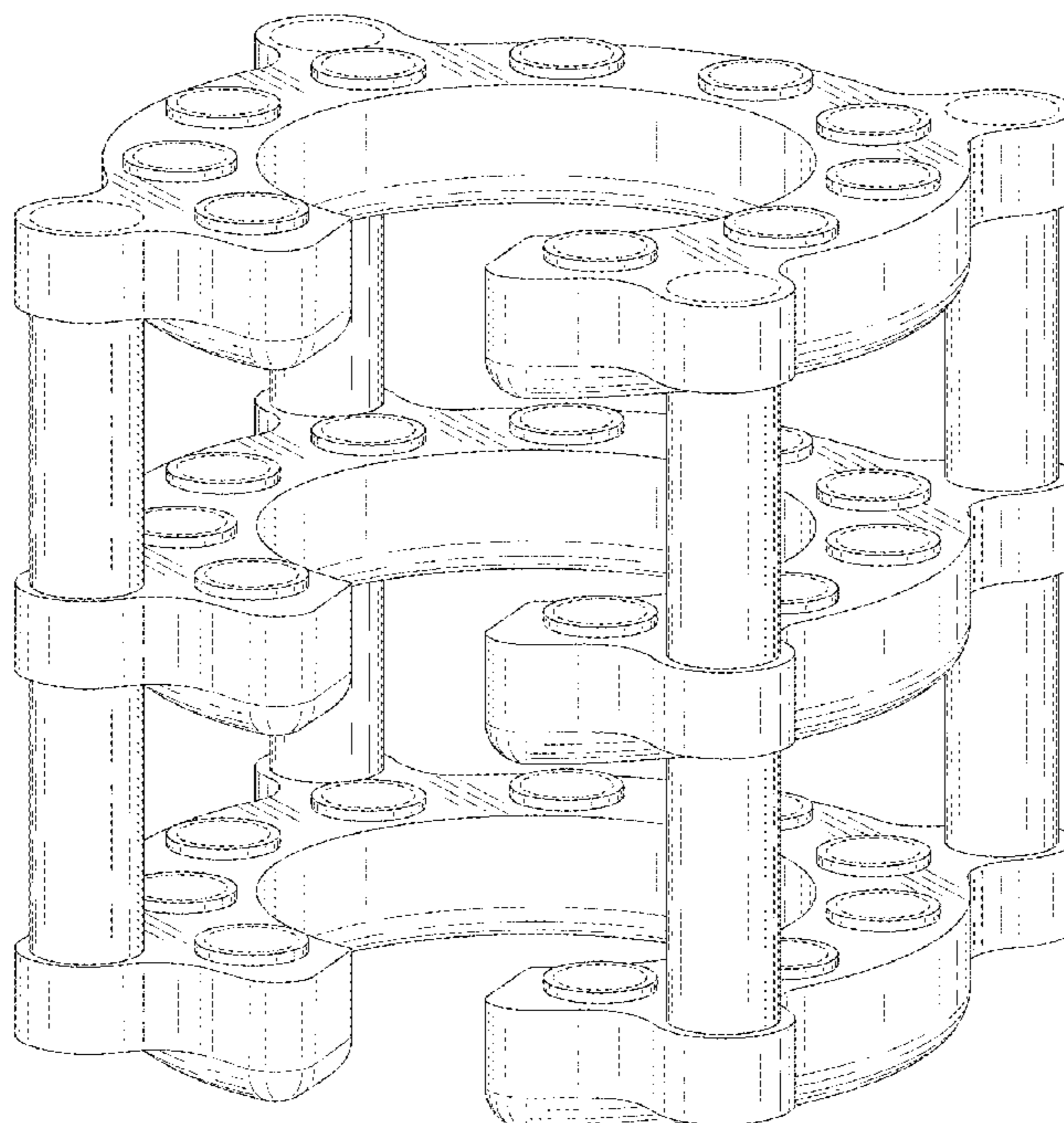
The ornamental design for a hydroponics growing container,
as shown and described.

DESCRIPTION

FIG. 1 is a perspective view of a hydroponics growing container showing my new design.
FIG. 2 is a front view thereof;
FIG. 3 is a rear view thereof;
FIG. 4 is a left side view thereof;
FIG. 5 is a right side view thereof;
FIG. 6 is a top view thereof; and,
FIG. 7 is a bottom view thereof.

The broken lines in FIGS. 1, 6, and 7 are included for the purpose of showing portions of the hydroponics growing container that form no part of the claimed design.

1 Claim, 7 Drawing Sheets



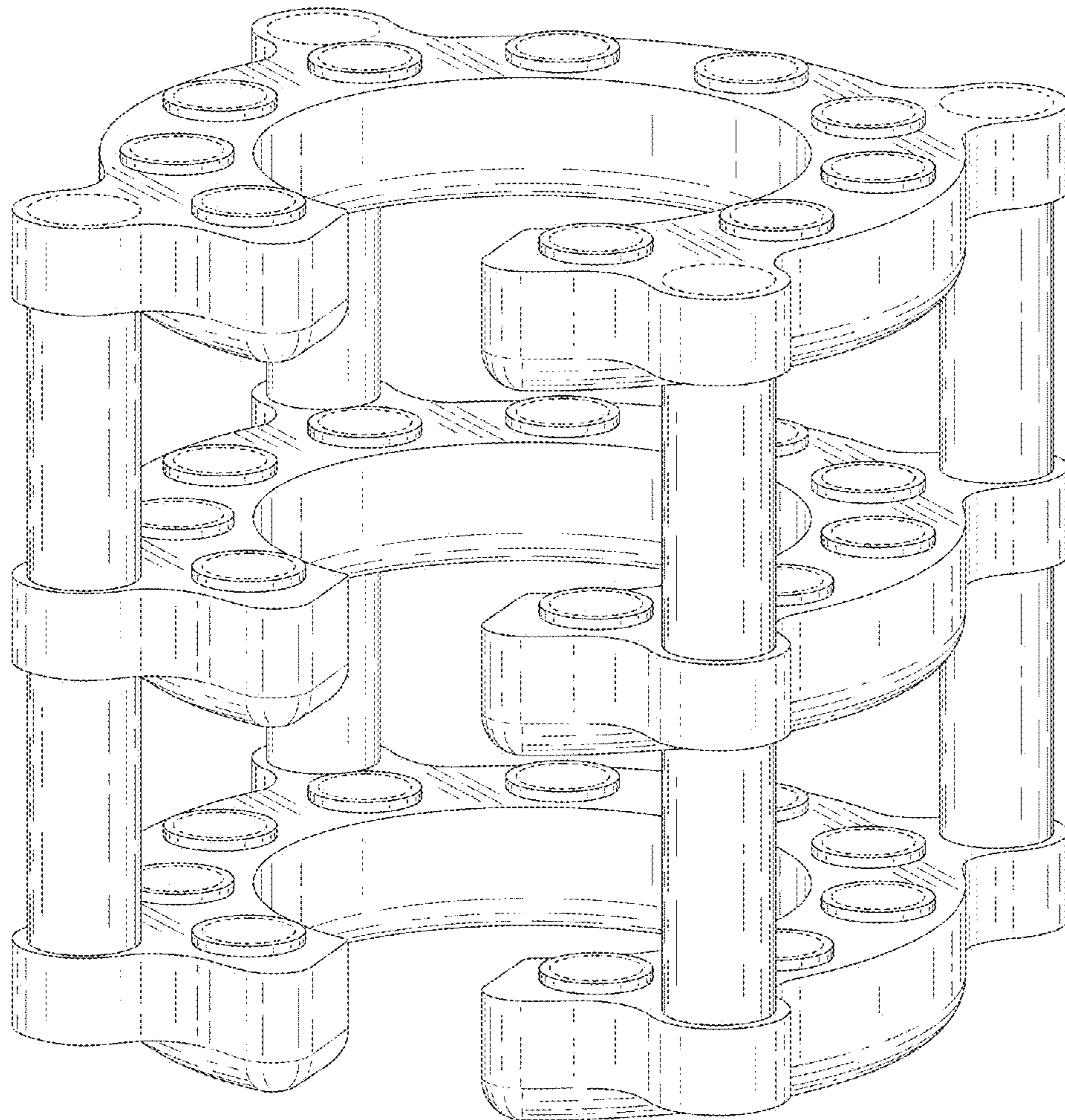


Fig. 1

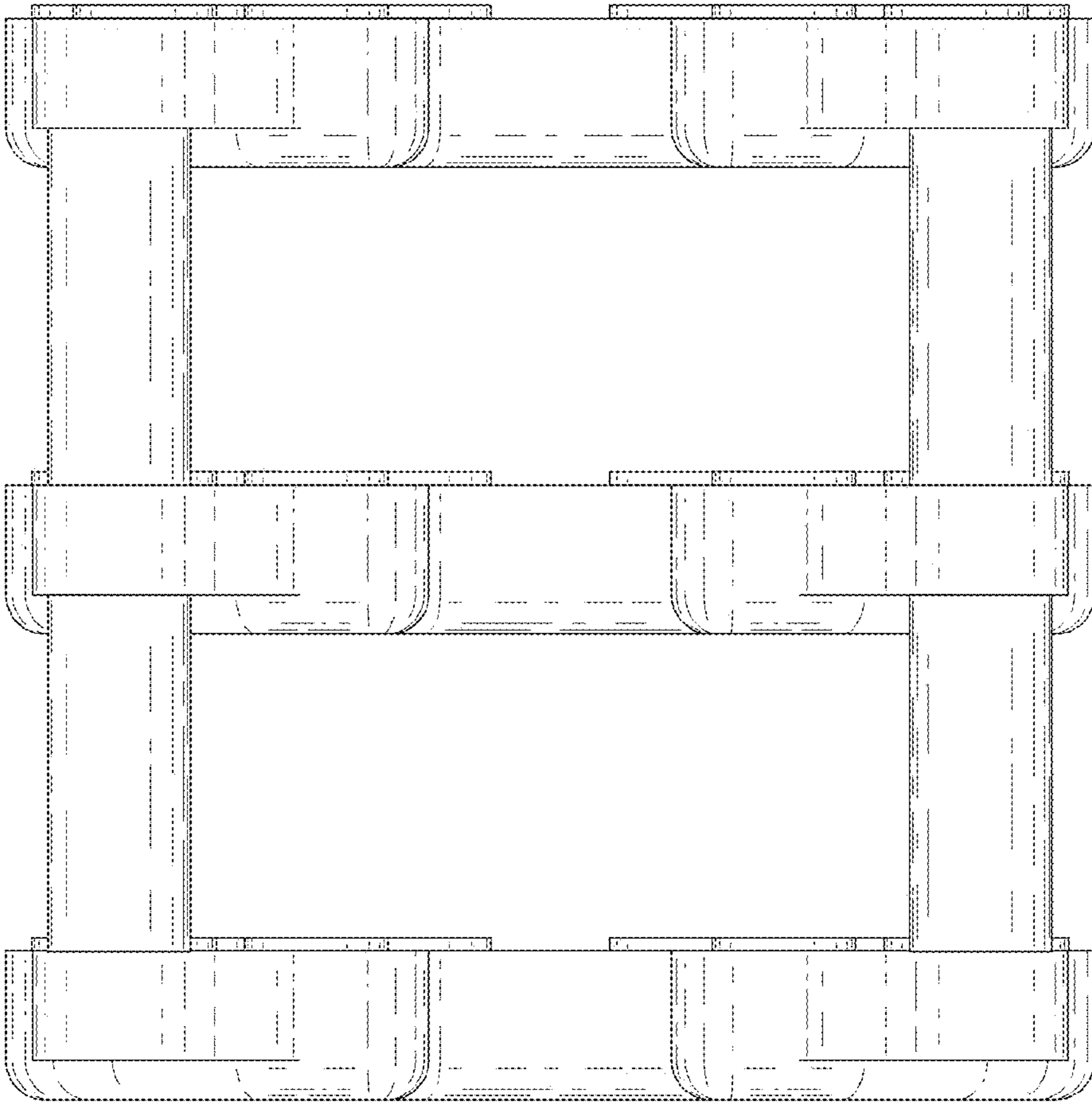


Fig. 2

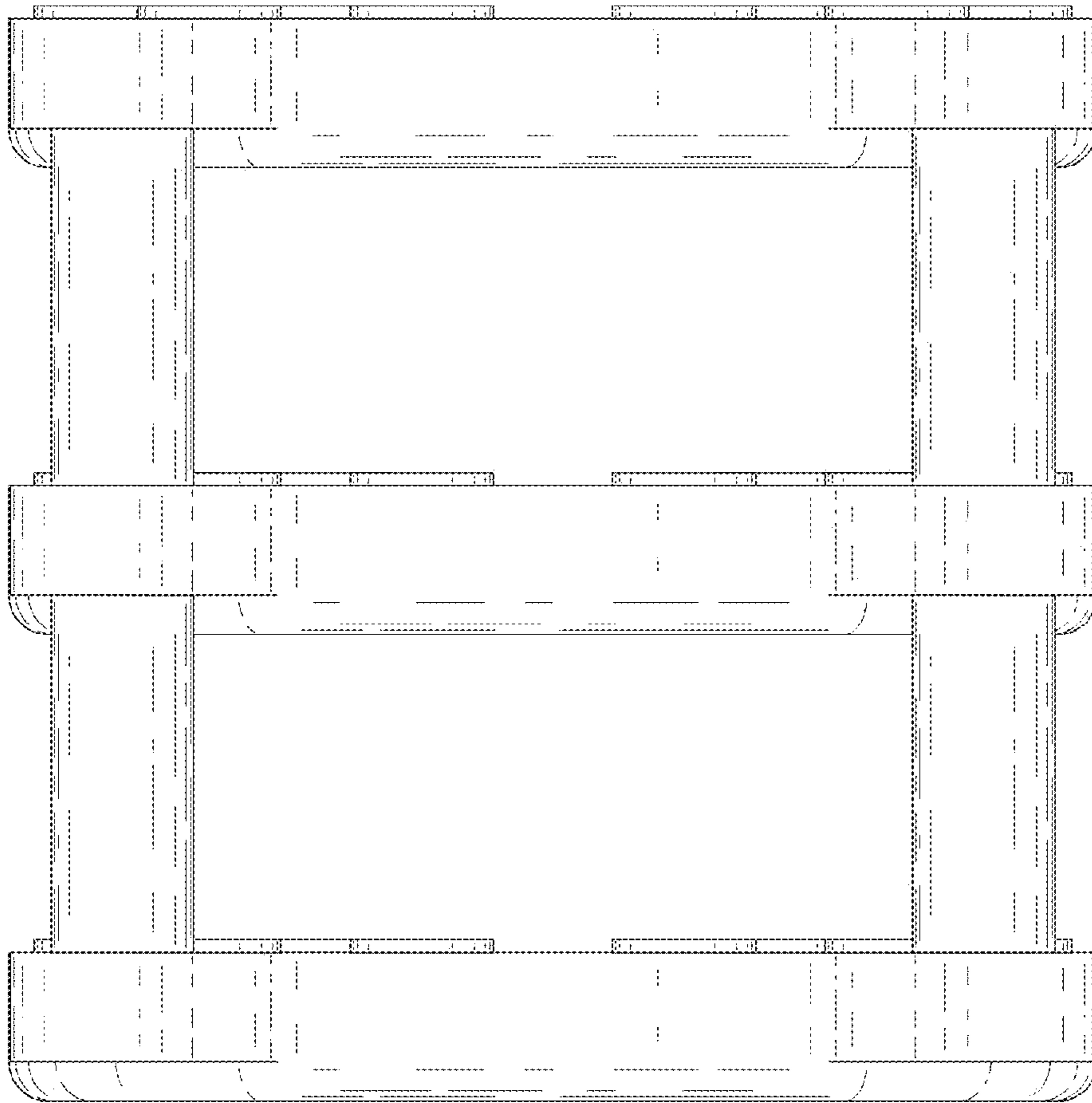


Fig. 3

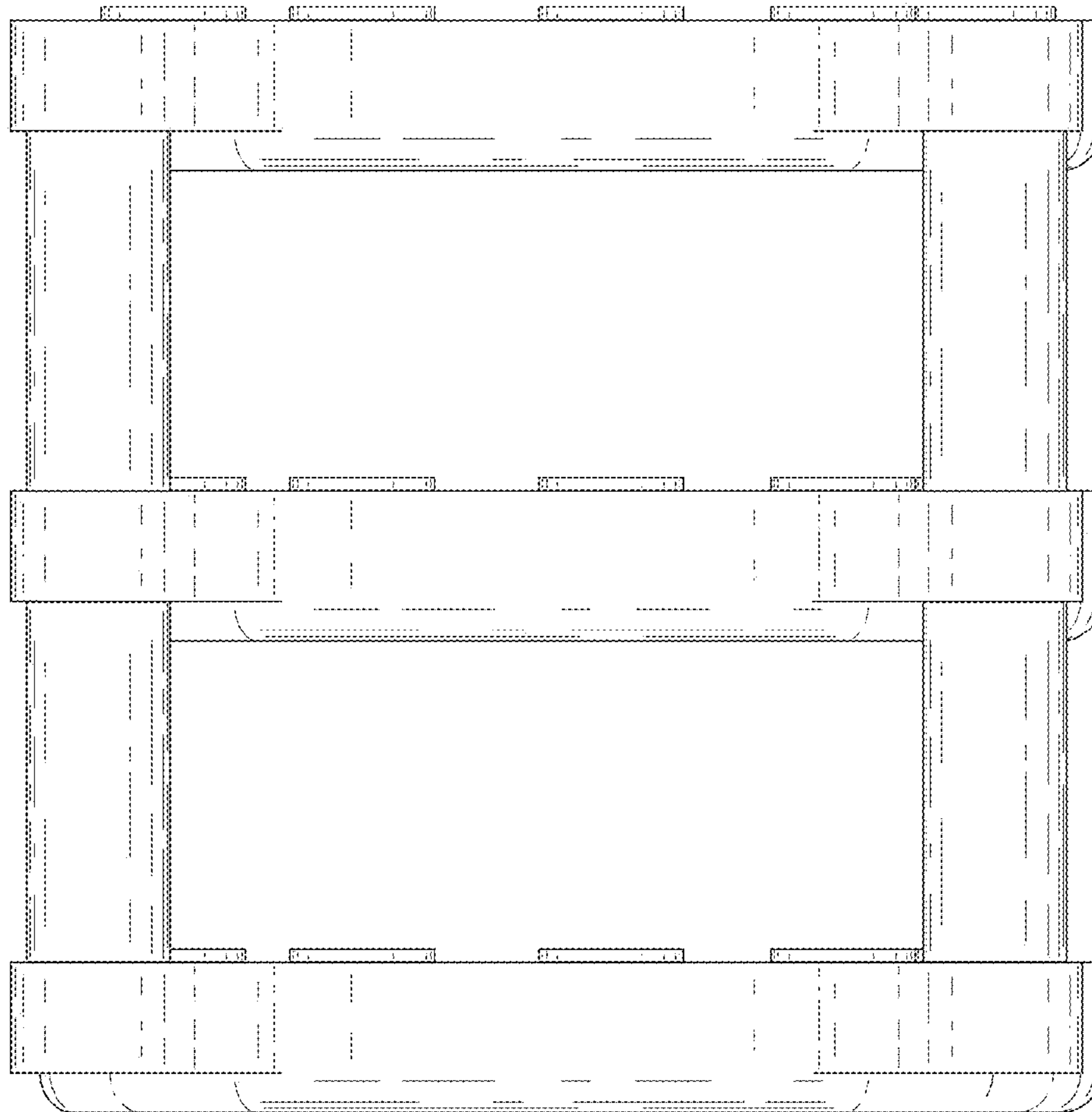


Fig. 4

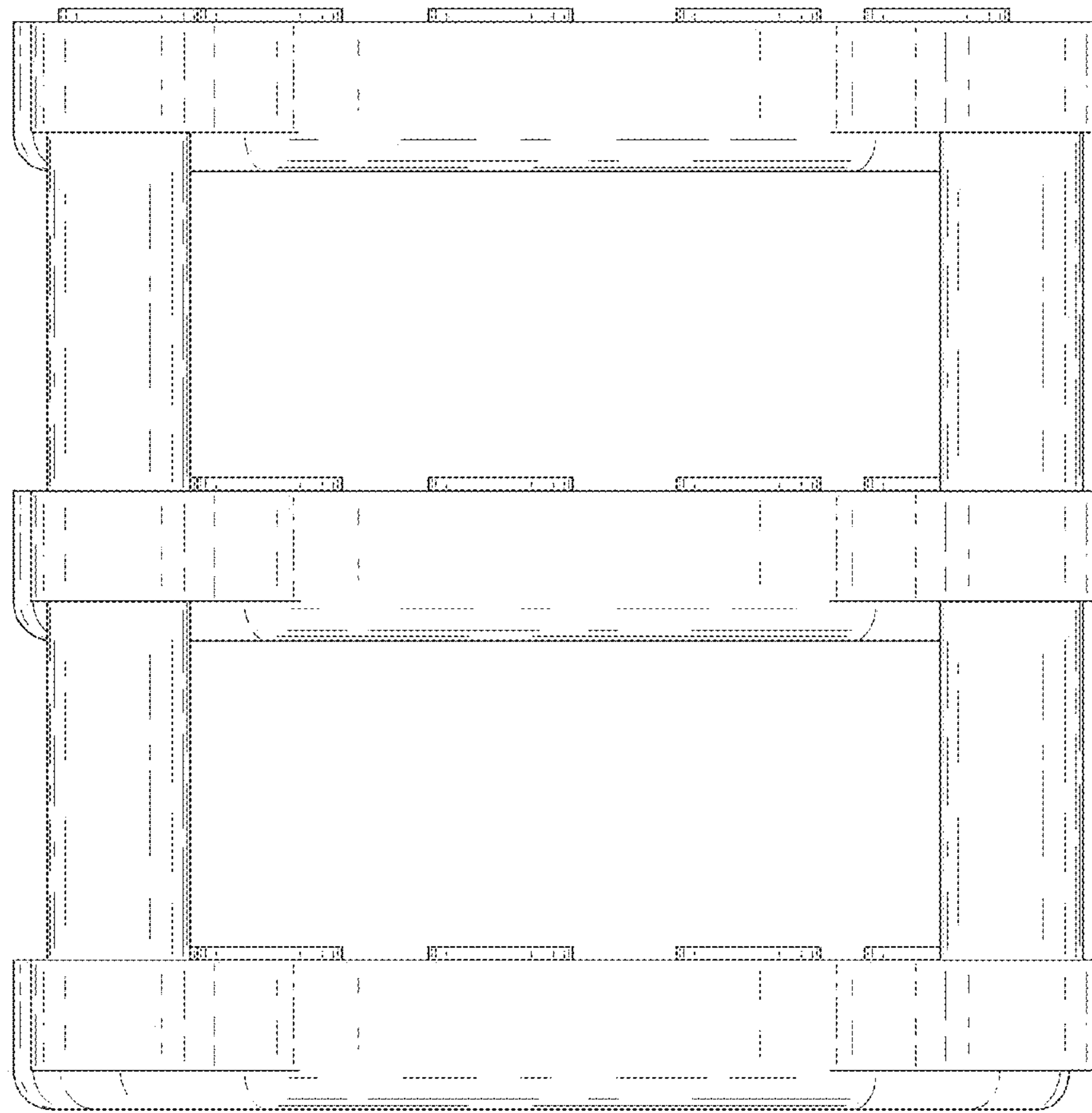


Fig. 5

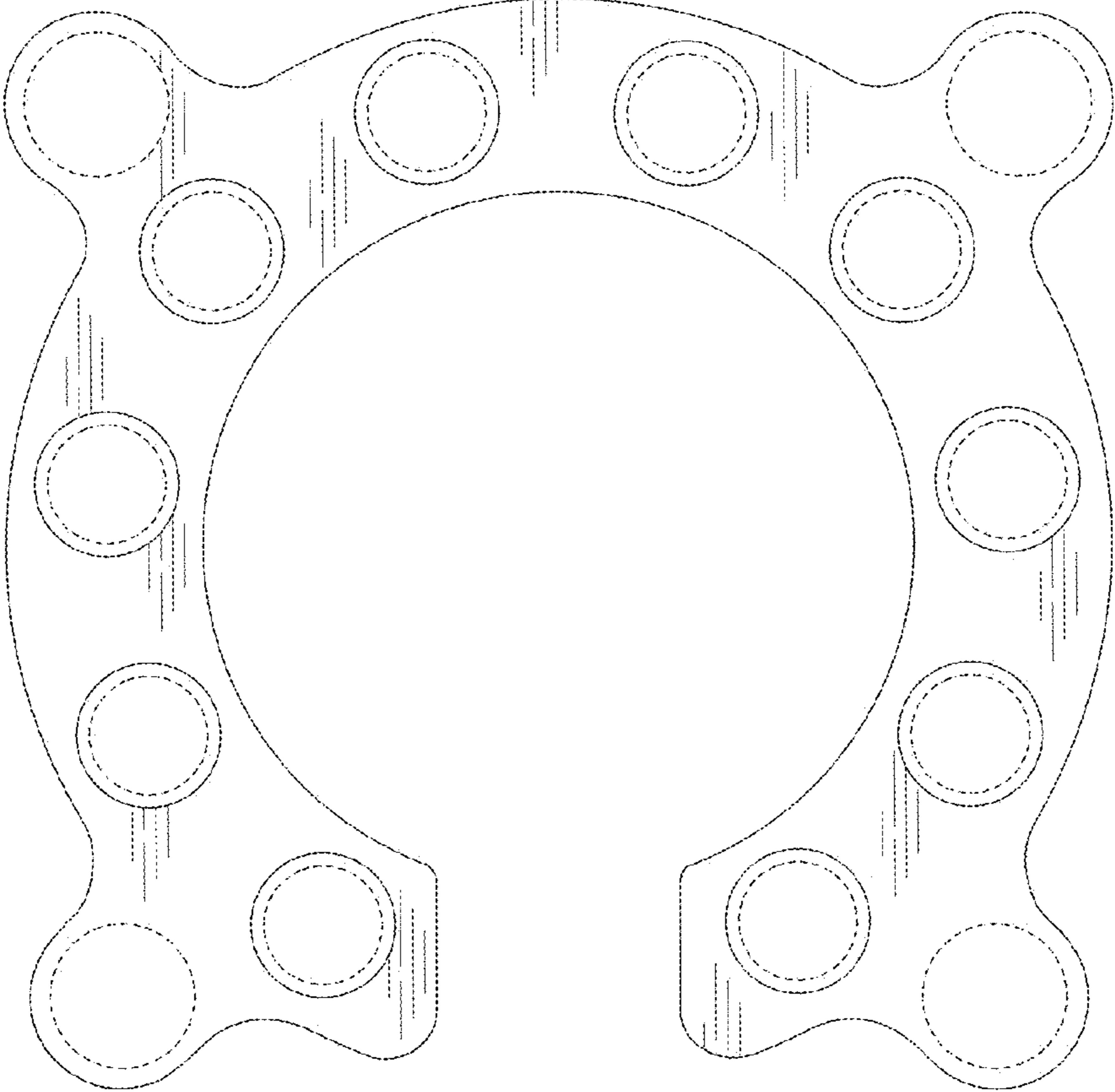


Fig. 6

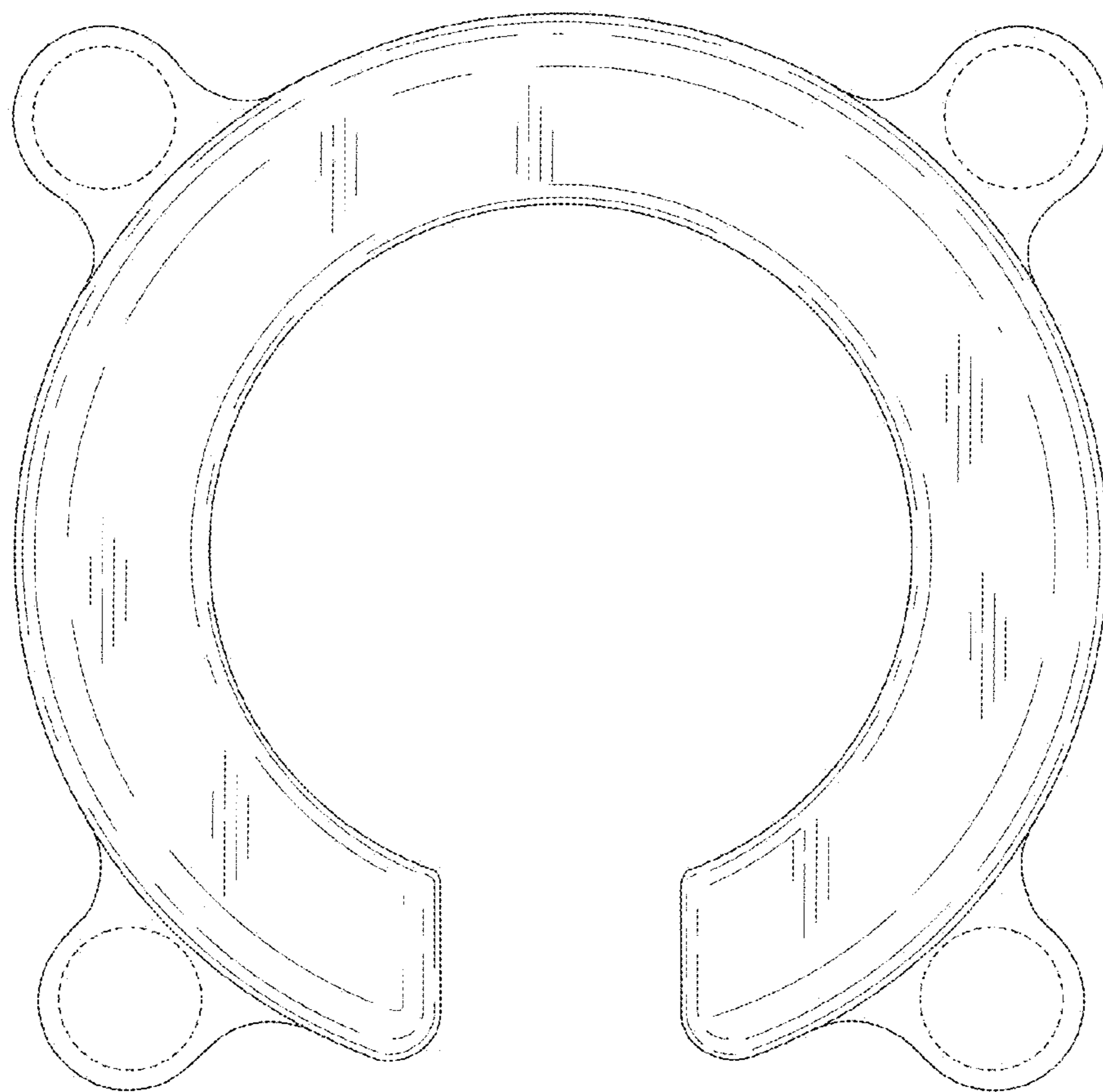


Fig. 7