



US00D742773S

(12) **United States Design Patent**
Yang

(10) **Patent No.:** **US D742,773 S**

(45) **Date of Patent:** **** Nov. 10, 2015**

(54) **EAS TAG FOR BOTTLES**

(71) Applicant: **Xiao Hui Yang**, Saratoga, CA (US)

(72) Inventor: **Xiao Hui Yang**, Saratoga, CA (US)

(73) Assignee: **WG Security Products**, Campbell, CA (US)

(**) Term: **14 Years**

(21) Appl. No.: **29/467,757**

(22) Filed: **Sep. 23, 2013**

(51) **LOC (10) Cl.** **10-05**

(52) **U.S. Cl.**
USPC **D10/106.92**

(58) **Field of Classification Search**
USPC D10/106.9, 106.92
CPC Y10S 70/00
See application file for complete search history.

(56) **References Cited**

U.S. PATENT DOCUMENTS

2,093,688	A	9/1937	Smith	
6,912,878	B2 *	7/2005	Belden, Jr.	70/57.1
7,007,523	B2 *	3/2006	Belden, Jr.	70/57.1
7,134,302	B2	11/2006	Gorst	
7,259,674	B2	8/2007	Marsilio et al.	
7,266,979	B2	9/2007	Belden, Jr.	
7,397,375	B2	7/2008	Marsilio et al.	
7,458,241	B2	12/2008	Belden, Jr.	
7,463,152	B2	12/2008	Marsilio et al.	
7,486,190	B2	2/2009	Marsilio et al.	
7,492,263	B2	2/2009	Marsilio et al.	
7,492,264	B2	2/2009	Marsilio et al.	
7,492,265	B2	2/2009	Marsilio et al.	
7,498,944	B2	3/2009	Marsilio et al.	
7,498,945	B2	3/2009	Marsilio et al.	
7,570,161	B2	8/2009	Necchi	
7,602,297	B2	10/2009	Marsilio et al.	
7,866,497	B2	1/2011	Belden, Jr.	

7,878,033	B2 *	2/2011	Fawcett et al.	70/58
D649,897	S *	12/2011	Jones	D10/106.9
8,152,009	B2	4/2012	Hulin	
8,269,631	B2	9/2012	Yang	
8,294,583	B2 *	10/2012	Sayegh et al.	340/572.9
8,368,537	B2	2/2013	Zhang et al.	
8,416,082	B2 *	4/2013	Sayegh et al.	340/572.8
8,421,633	B2	4/2013	Yang	
8,482,414	B2	7/2013	Leyden et al.	
2005/0237205	A1	10/2005	Gorst	
2010/0315237	A1	12/2010	Yang	
2012/0151974	A1	6/2012	Zhang et al.	
2012/0152883	A1	6/2012	Zhang et al.	

* cited by examiner

Primary Examiner — George D Kirschbaum

(74) *Attorney, Agent, or Firm* — Robert R. Waters; Brian W. Foxworthy; Waters Law Group, PLLC

(57) **CLAIM**

The ornamental design for an EAS tag for bottles, as shown and described.

DESCRIPTION

FIG. 1 is a top perspective view of my new design for an EAS tag for bottles.

FIG. 2 is another top perspective view of my new design for an EAS tag for bottles.

FIG. 3 is a front side view of my new design for an EAS tag for bottles.

FIG. 4 is a back side view of my new design for an EAS tag for bottles.

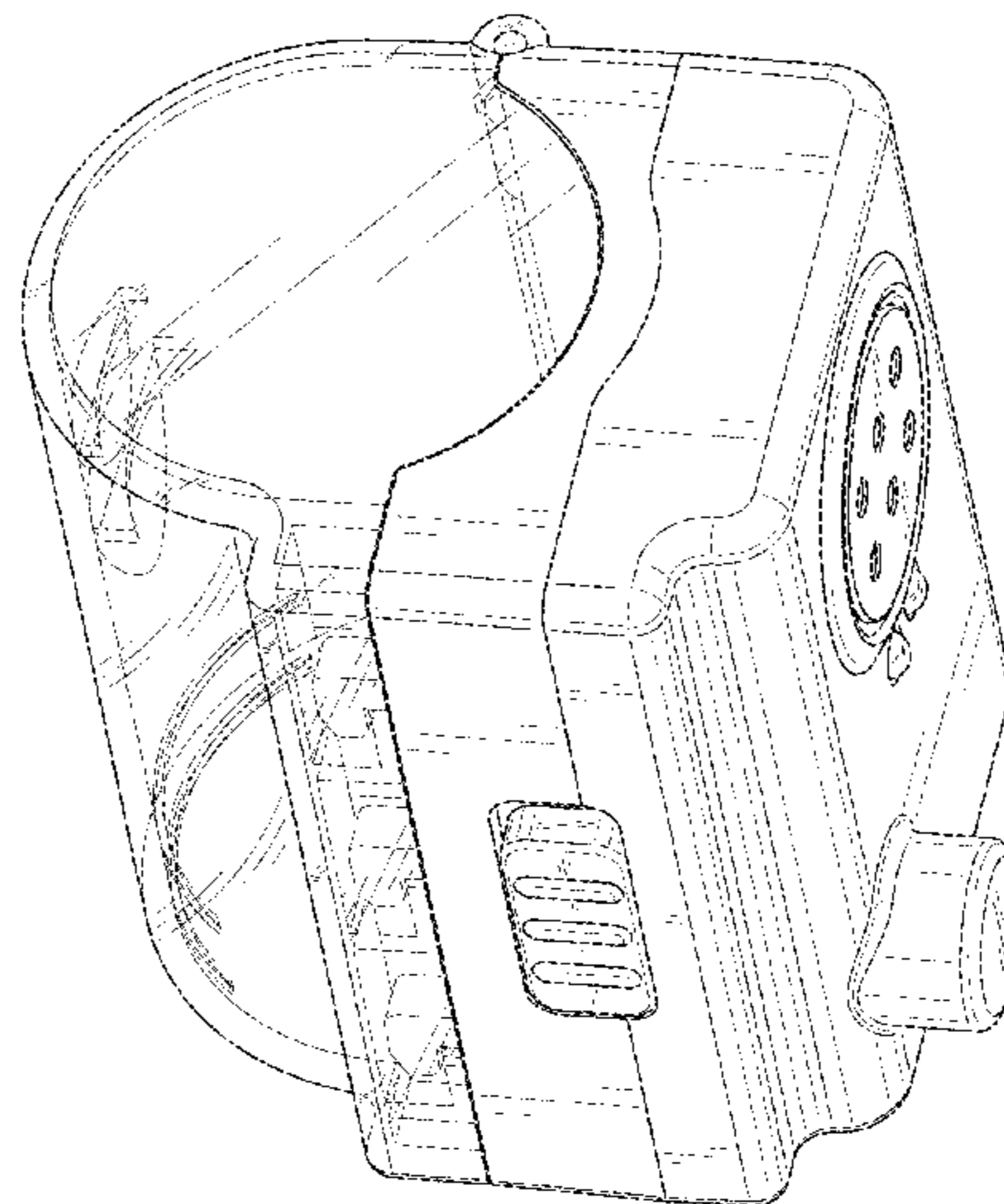
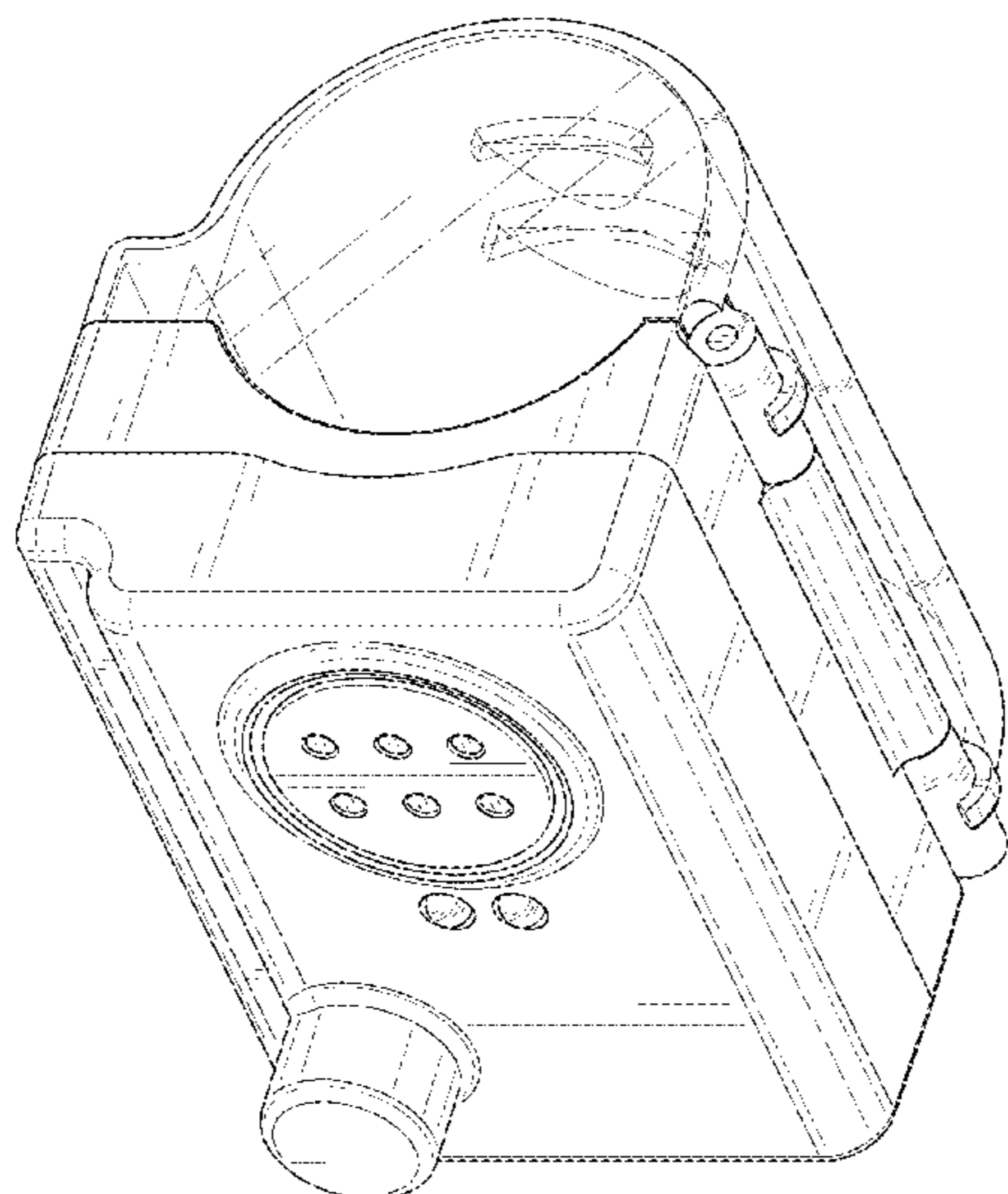
FIG. 5 is a left side view of my new design for an EAS tag for bottles.

FIG. 6 is a right side view of my new design for an EAS tag for bottles.

FIG. 7 is a top view of my new design for an EAS tag for bottles; and,

FIG. 8 is a bottom view of my new design for an EAS tag for bottles.

1 Claim, 5 Drawing Sheets



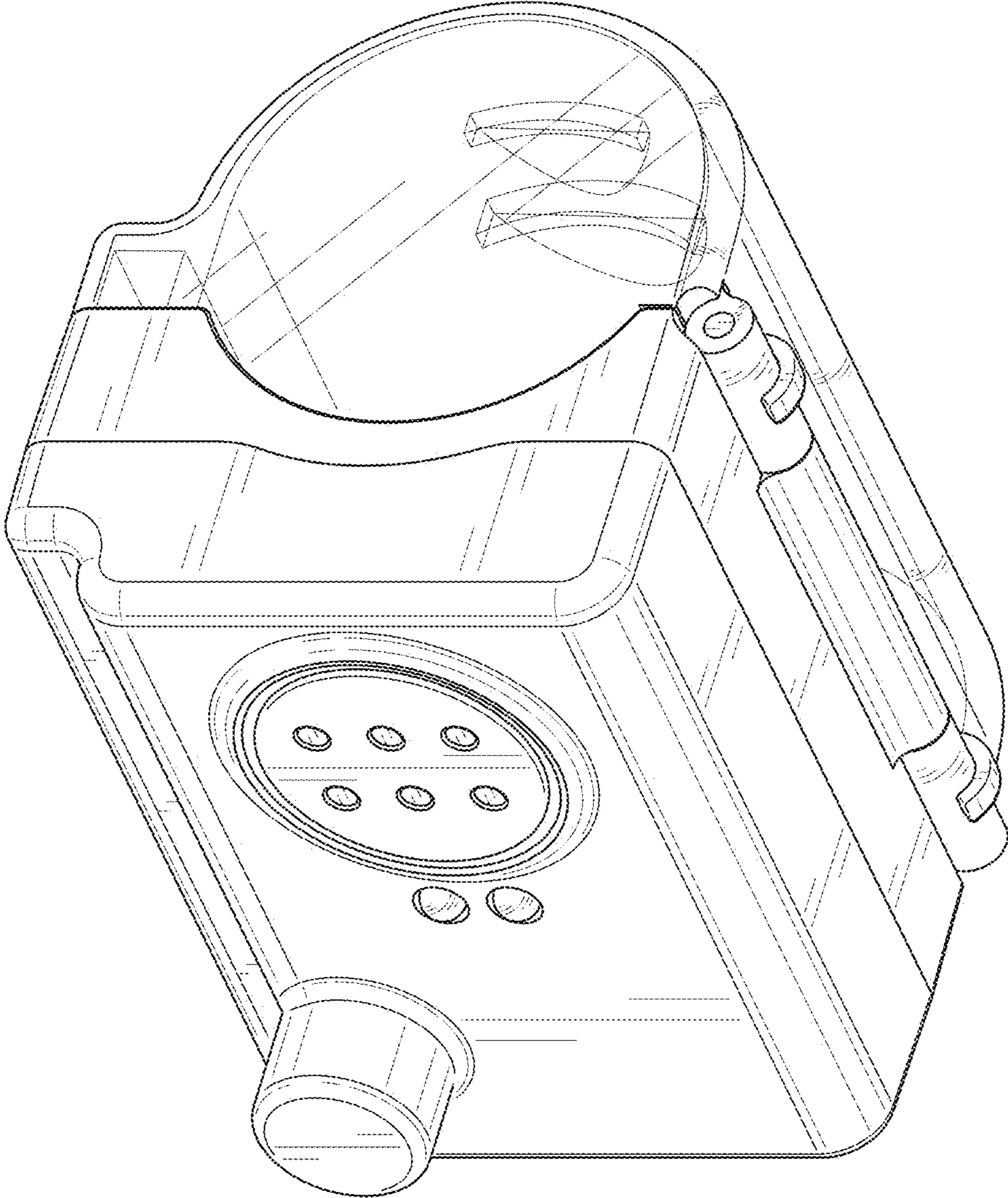


FIG. 1

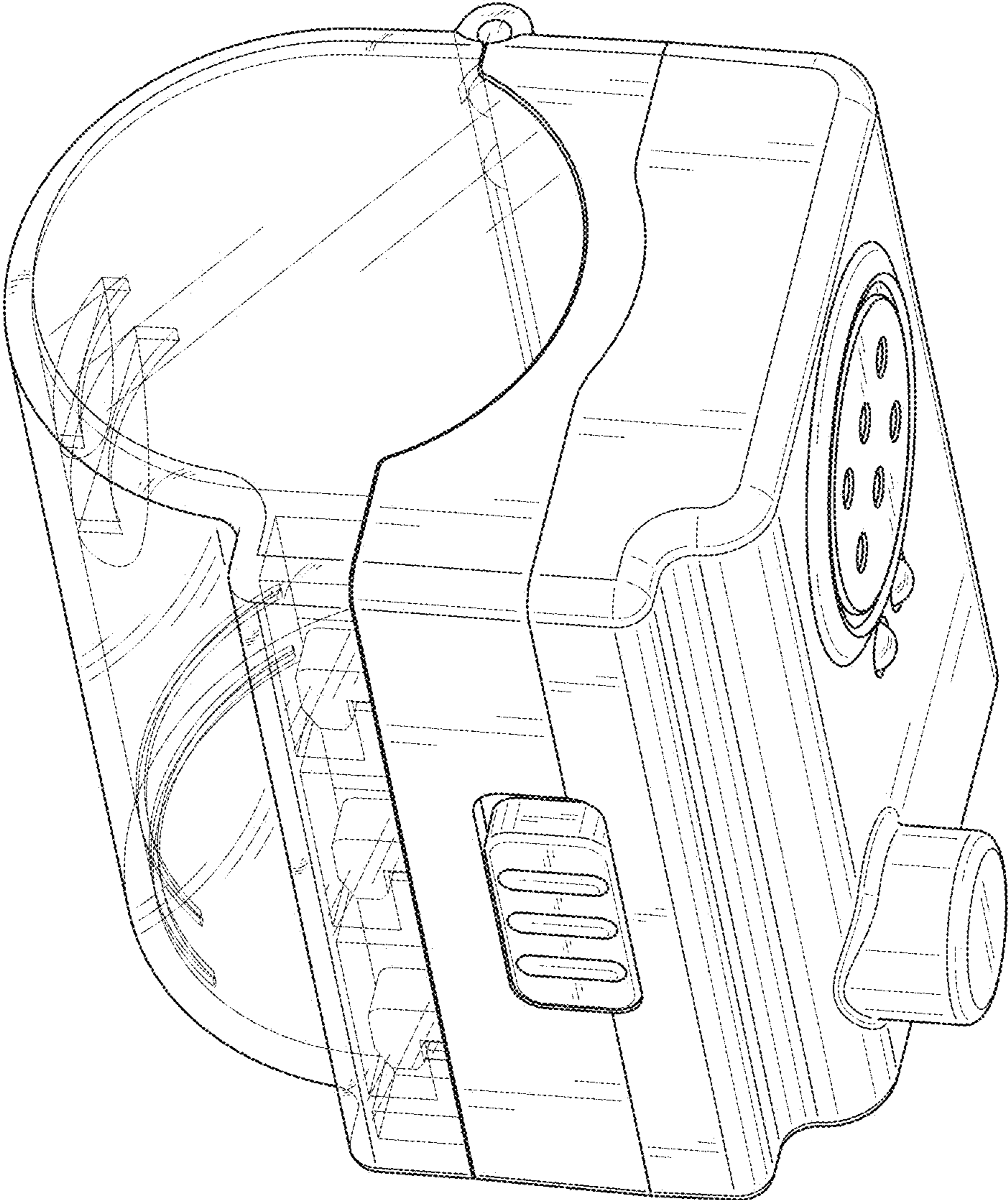


FIG. 2

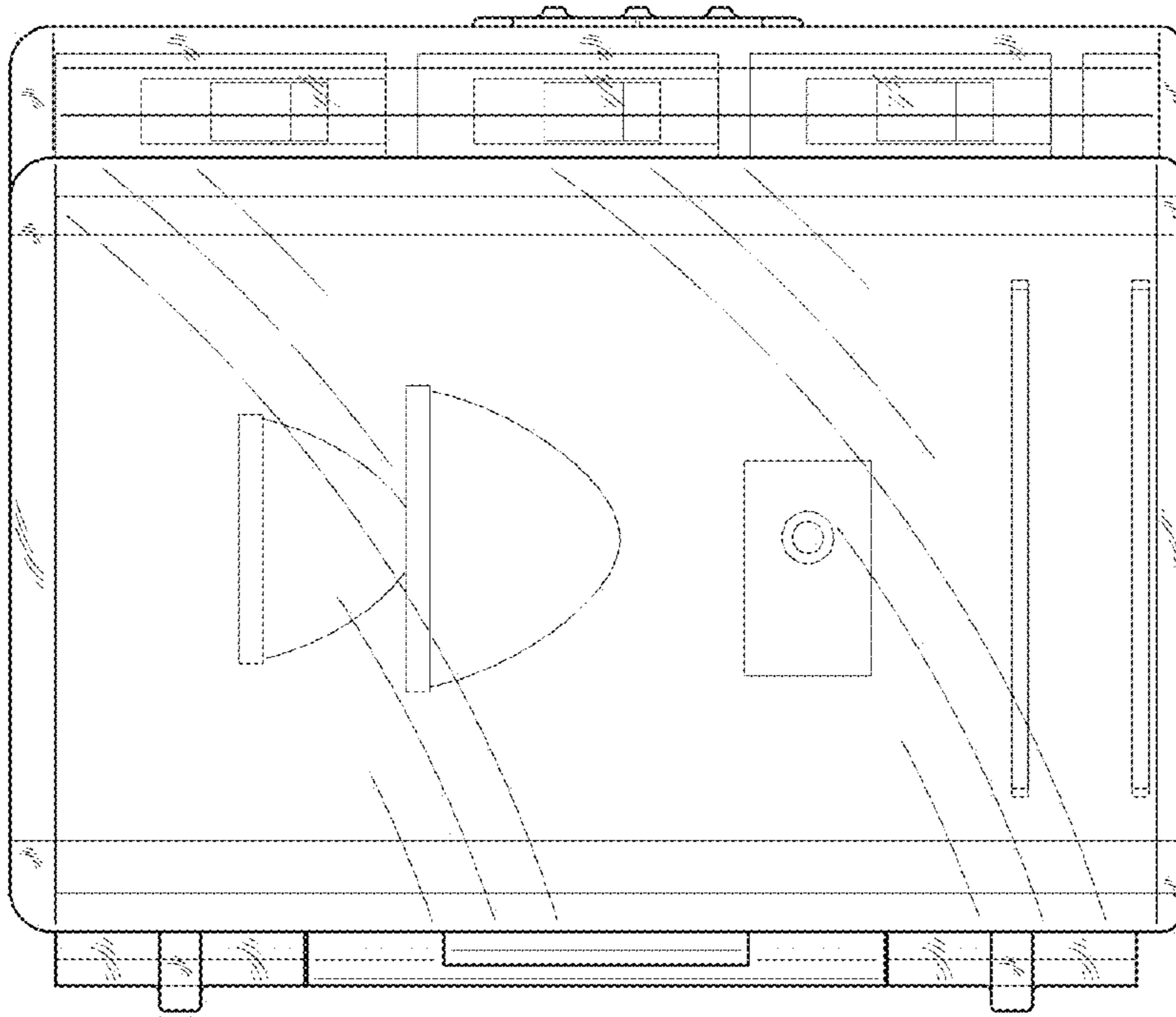


FIG. 4

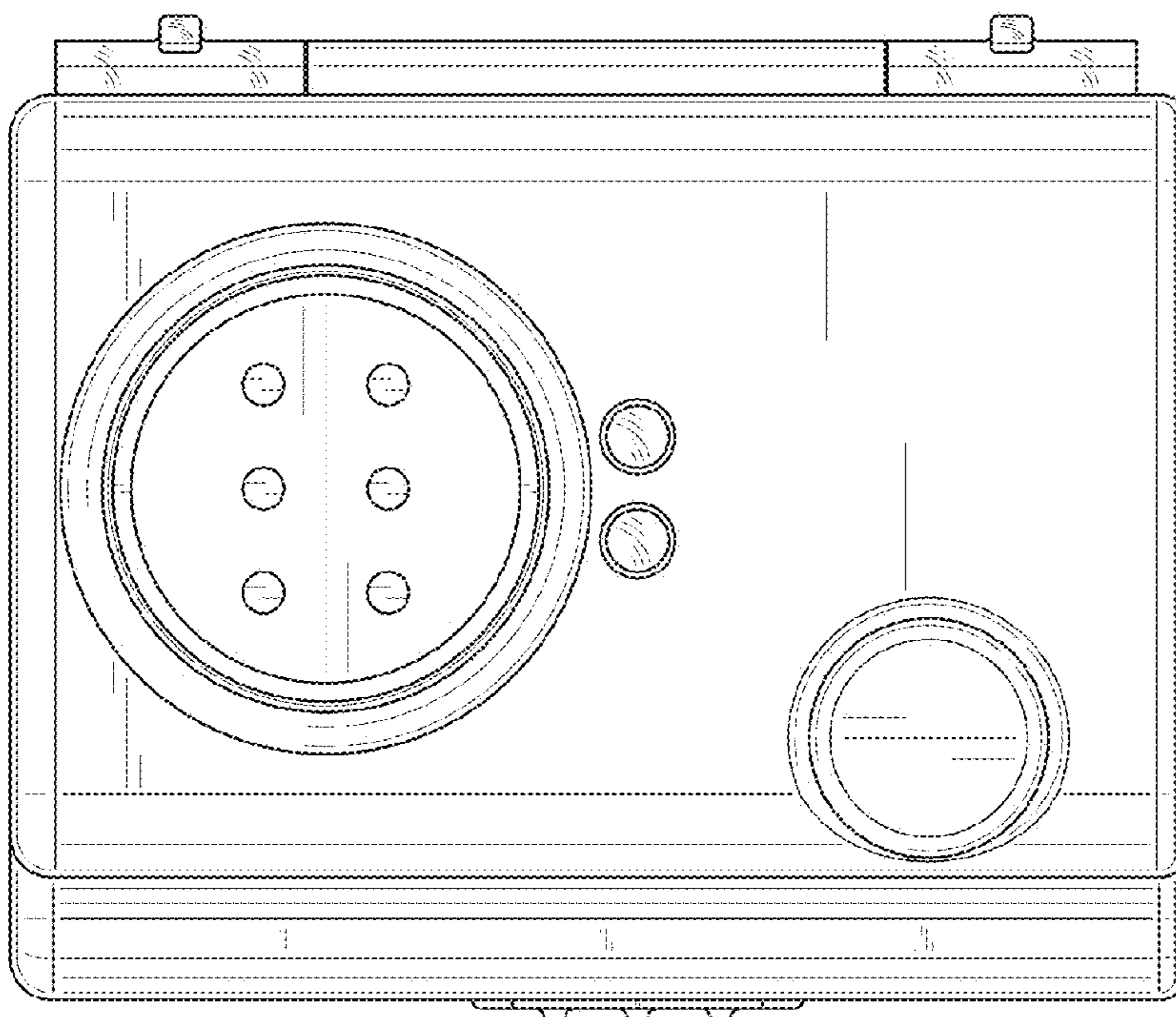


FIG. 3

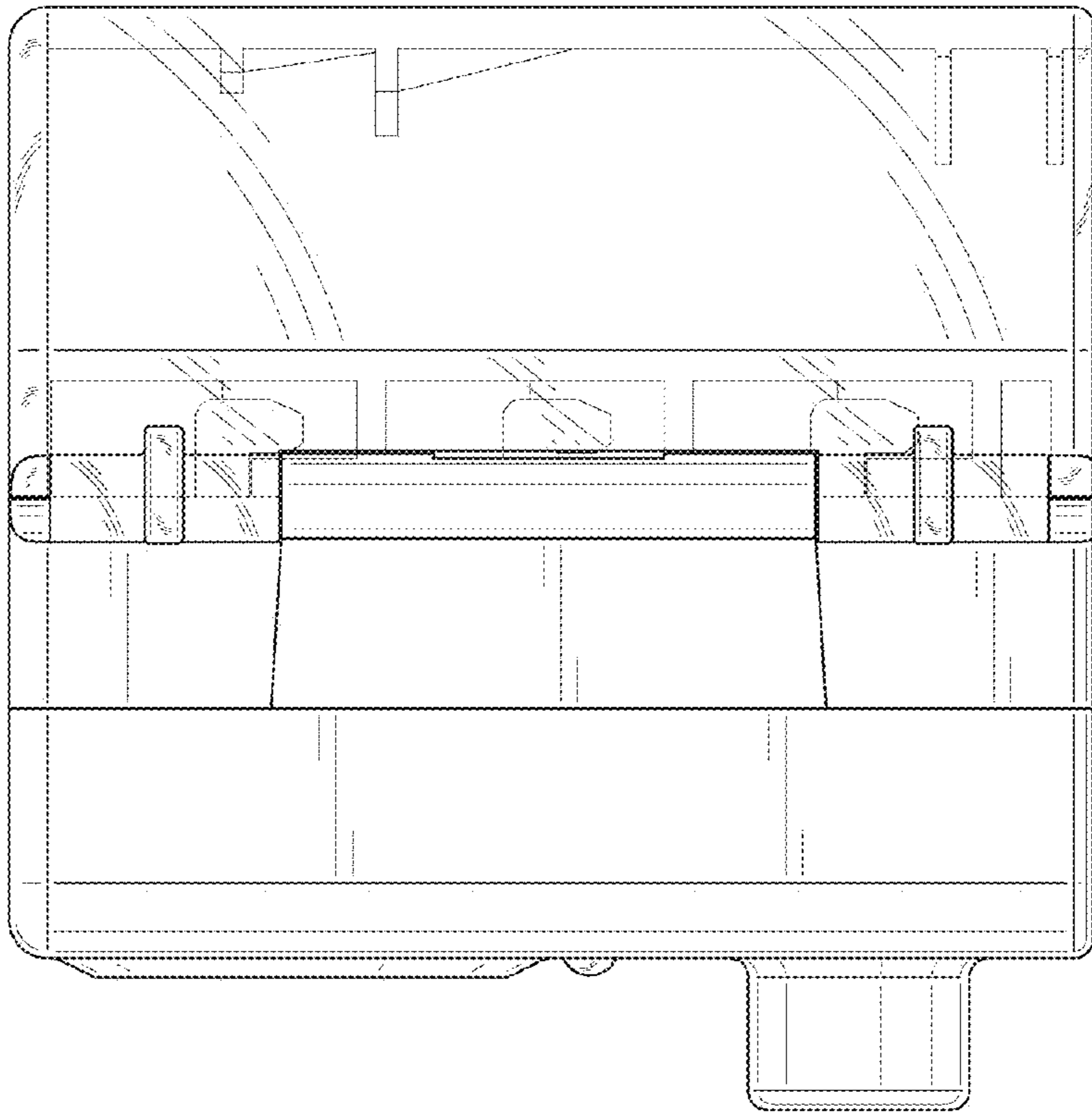


FIG. 6

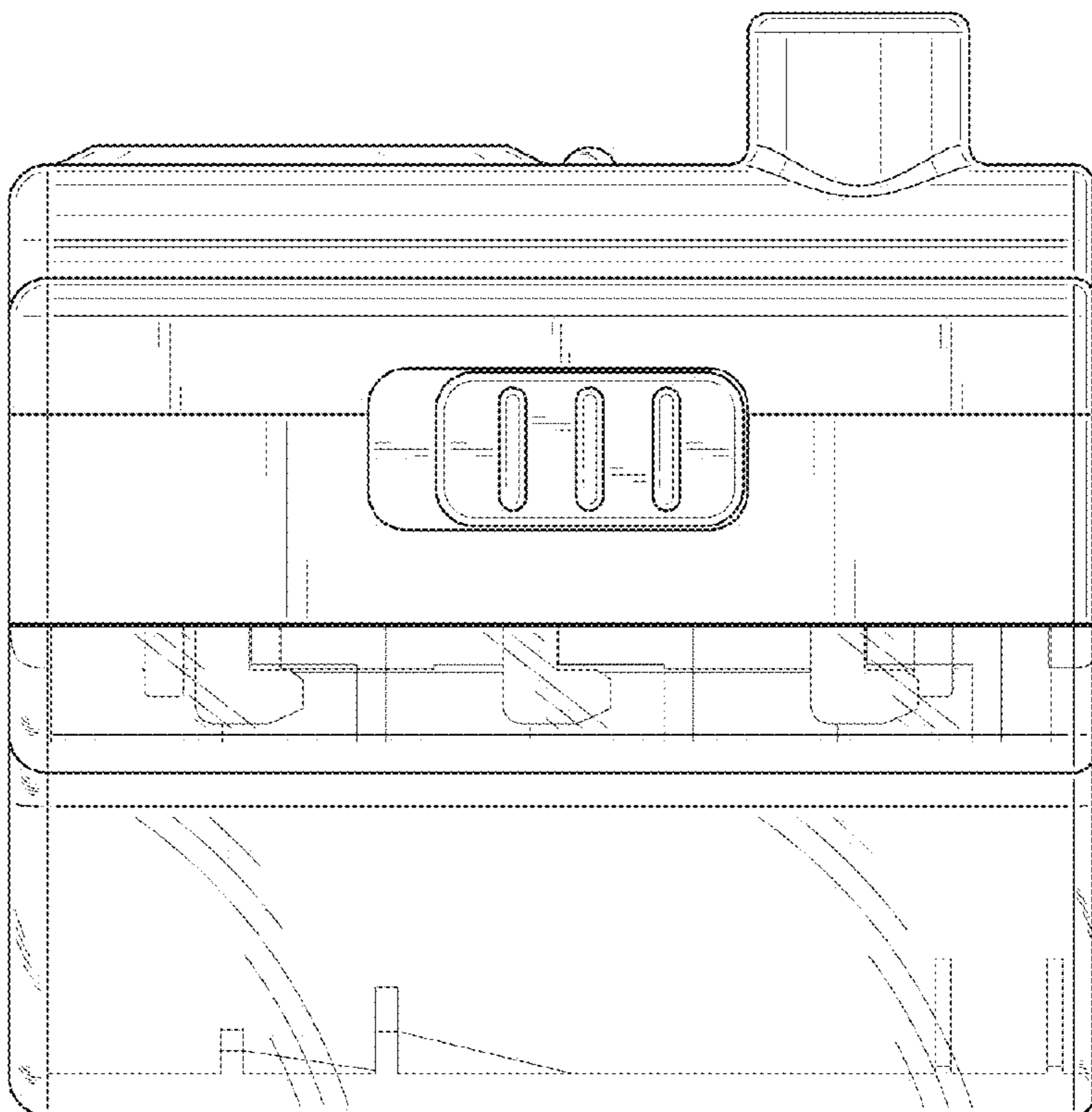


FIG. 5

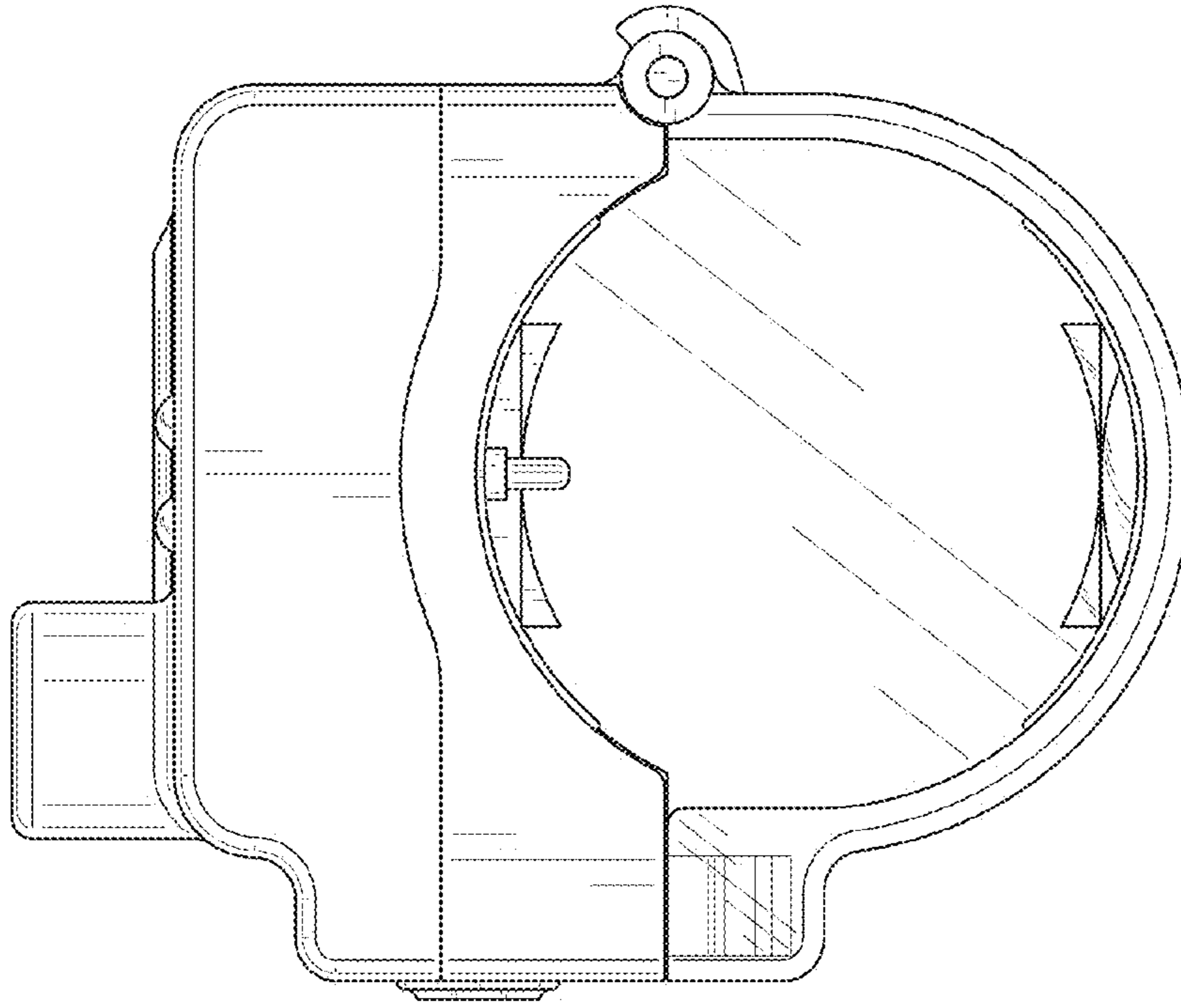


FIG. 8

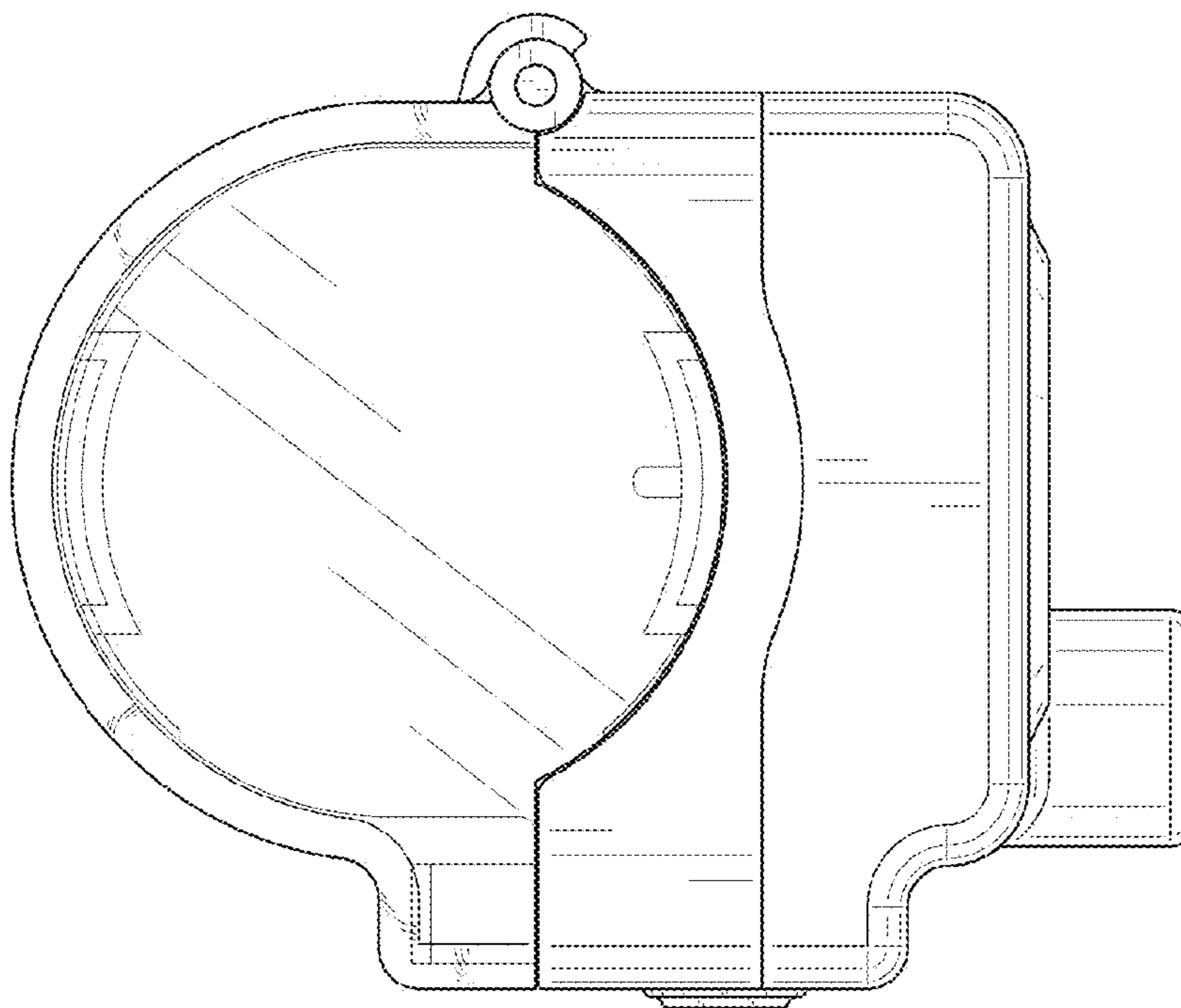


FIG. 7