



US00D742767S

(12) **United States Design Patent**
Saga et al.

(10) **Patent No.:** **US D742,767 S**

(45) **Date of Patent:** **** Nov. 10, 2015**

(54) **COLONY COUNTER**

(71) Applicant: **FUJITSU LIMITED**, Kawasaki-shi,
Kanagawa (JP)

(72) Inventors: **Susumu Saga**, Tokyo (JP); **Mimiko Hayashi**, Tokyo (JP); **Sachiko Miyajima**, Yokohama (JP); **Kenichi Sugitani**, Tokyo (JP)

(73) Assignee: **FUJITSU LIMITED**, Kawasaki (JP)

(**) Term: **14 Years**

(21) Appl. No.: **29/494,940**

(22) Filed: **Jun. 25, 2014**

(30) **Foreign Application Priority Data**

Dec. 27, 2013 (JP) 2013-030719

(51) **LOC (10) Cl.** **10-04**

(52) **U.S. Cl.**
USPC **D10/81; D24/216**

(58) **Field of Classification Search**
USPC D10/81; D24/216
CPC G01F 1/00-1/90; G01F 3/00-3/38;
G01F 5/00-5/005; G01F 7/00-7/005; G01F
9/00-9/026; G01F 11/00-11/46; G01F
13/00-13/008; G01F 15/00-15/185; G01F
17/00; G01F 19/00

See application file for complete search history.

(56) **References Cited**

U.S. PATENT DOCUMENTS

3,811,036 A * 5/1974 Perry 377/10
D503,808 S * 4/2005 Stokes et al. D24/216
8,759,080 B2 * 6/2014 Graessle et al. 435/287.3

* cited by examiner

Primary Examiner — Antoine D Davis

(74) *Attorney, Agent, or Firm* — Staas & Halsey LLP

(57) **CLAIM**

The ornamental design for a colony counter, as shown and described.

DESCRIPTION

FIG. 1 is a perspective view of front, top and right side of a colony counter showing our new design;

FIG. 2 is a perspective view of rear, top and left side thereof;

FIG. 3 is a perspective view of front, bottom and right side thereof;

FIG. 4 is a front view thereof;

FIG. 5 is a rear view thereof;

FIG. 6 is a left side view thereof;

FIG. 7 is a right side view thereof;

FIG. 8 is a top view thereof;

FIG. 9 is a bottom view thereof;

FIG. 10 is a cross sectional view taken along line 10-10 in FIG. 4 with an internal structure omitted;

FIG. 11 is a cross sectional view taken along line 11-11 in FIG. 6 with an internal structure omitted;

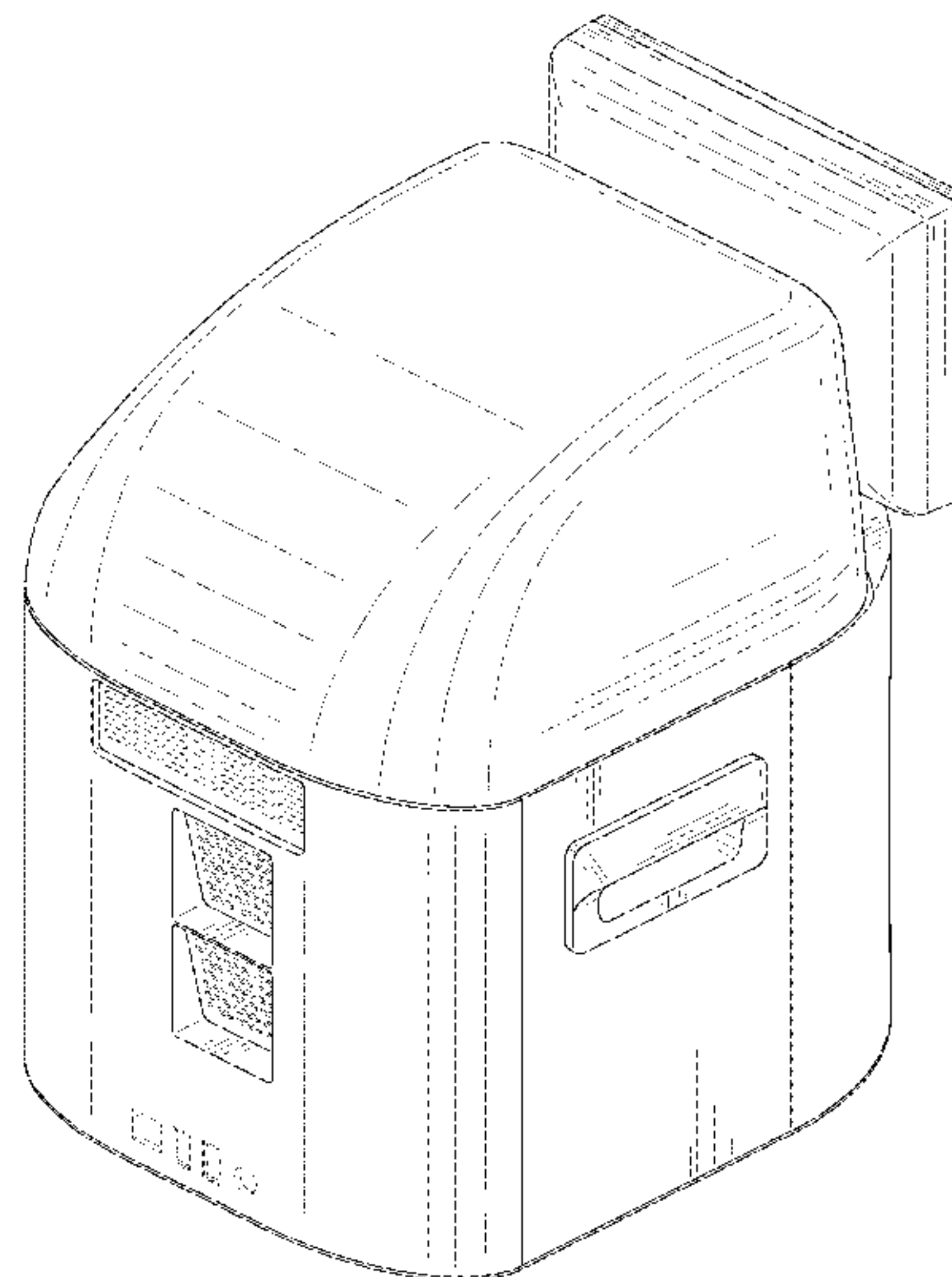
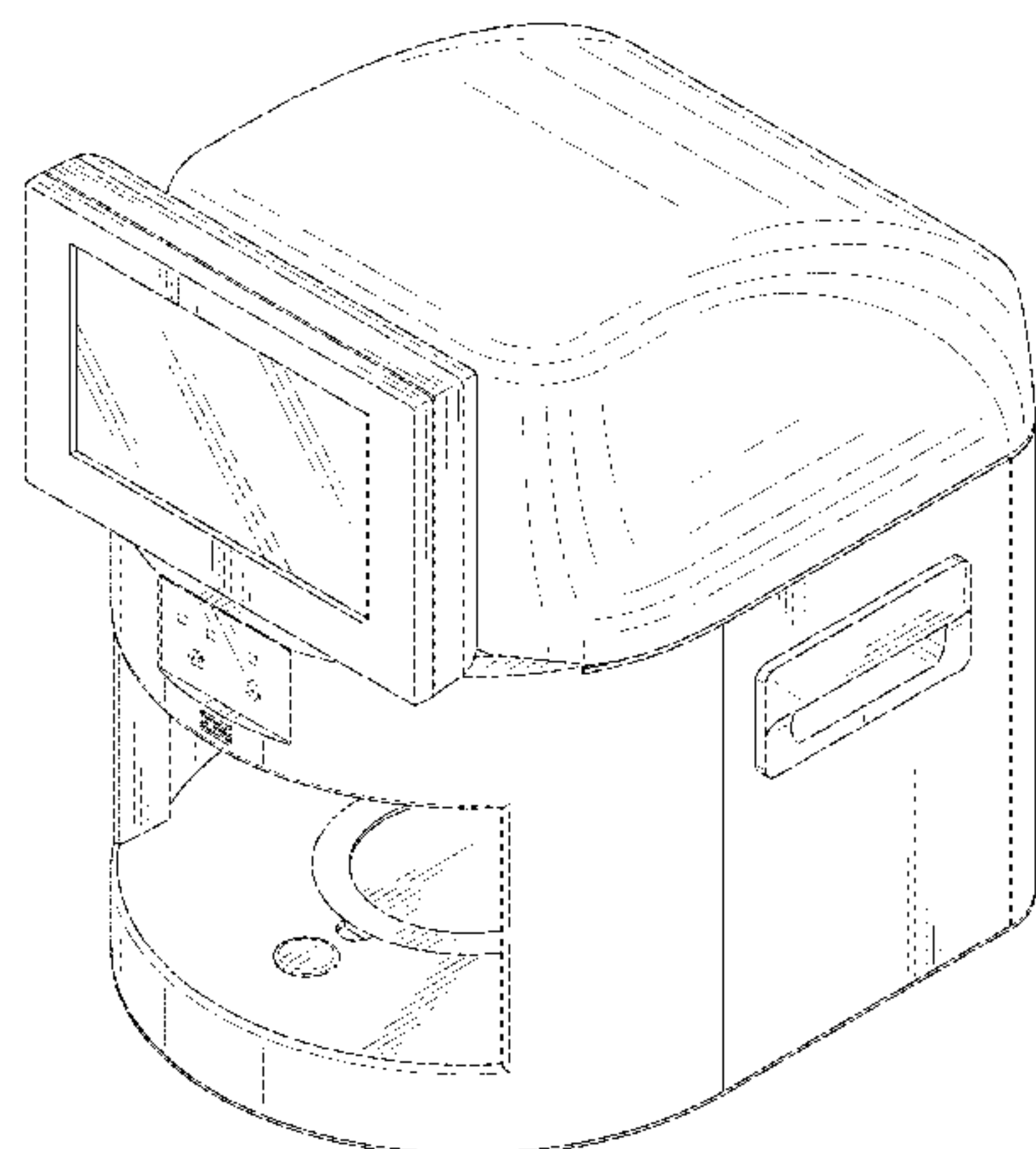
FIG. 12 is a cross sectional view taken along line 12-12 in FIG. 4 with an internal structure omitted;

FIG. 13 is a cross sectional view taken along line 13-13 in FIG. 4 with an internal structure omitted; and,

FIG. 14 is a cross sectional view taken along line 14-14 in FIG. 4 with an internal structure omitted.

The broken lines shown are included for the purpose of illustrating the unclaimed portions of a colony counter and form no part of the claimed design.

1 Claim, 14 Drawing Sheets



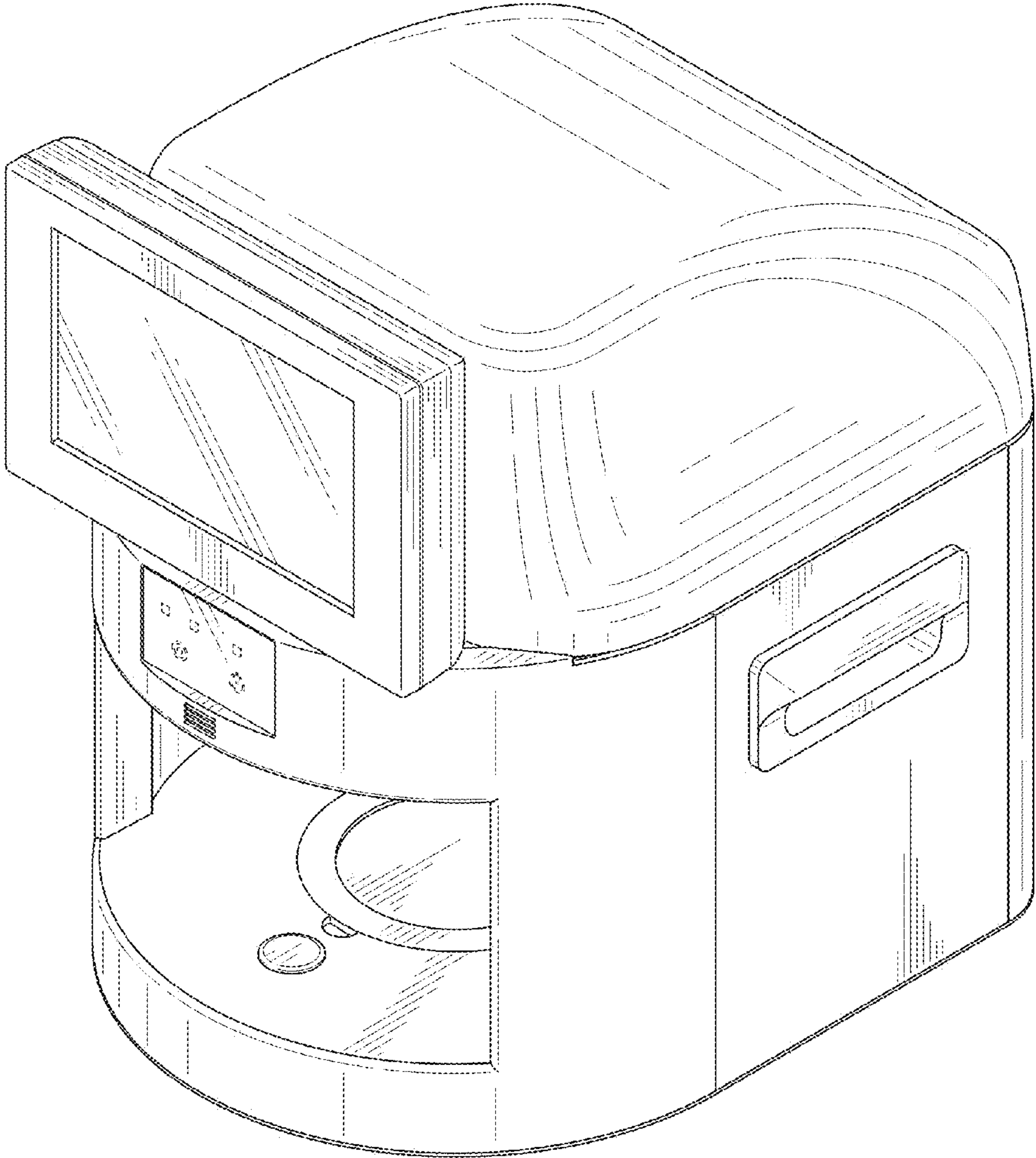


FIG. 1

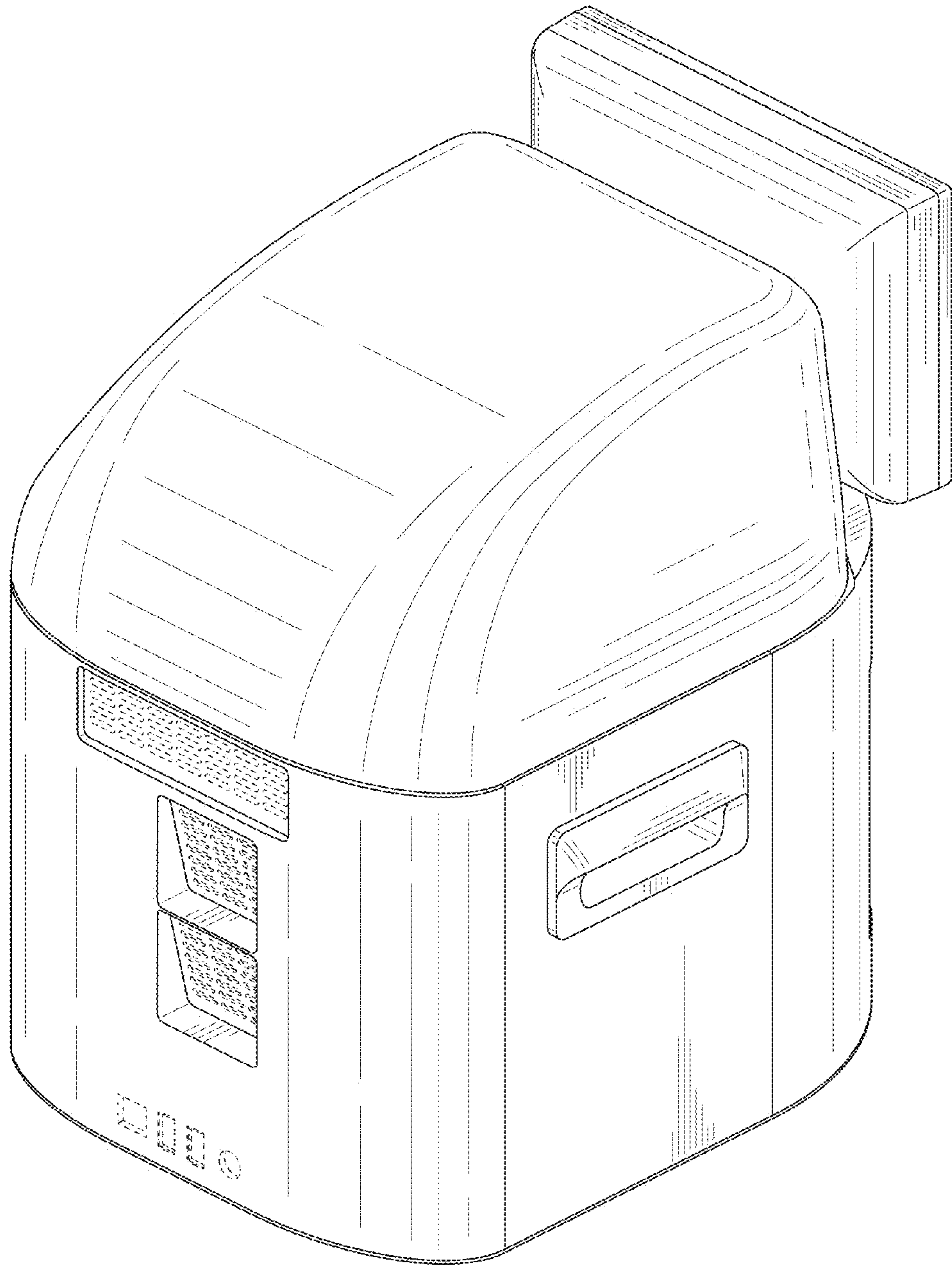


FIG. 2

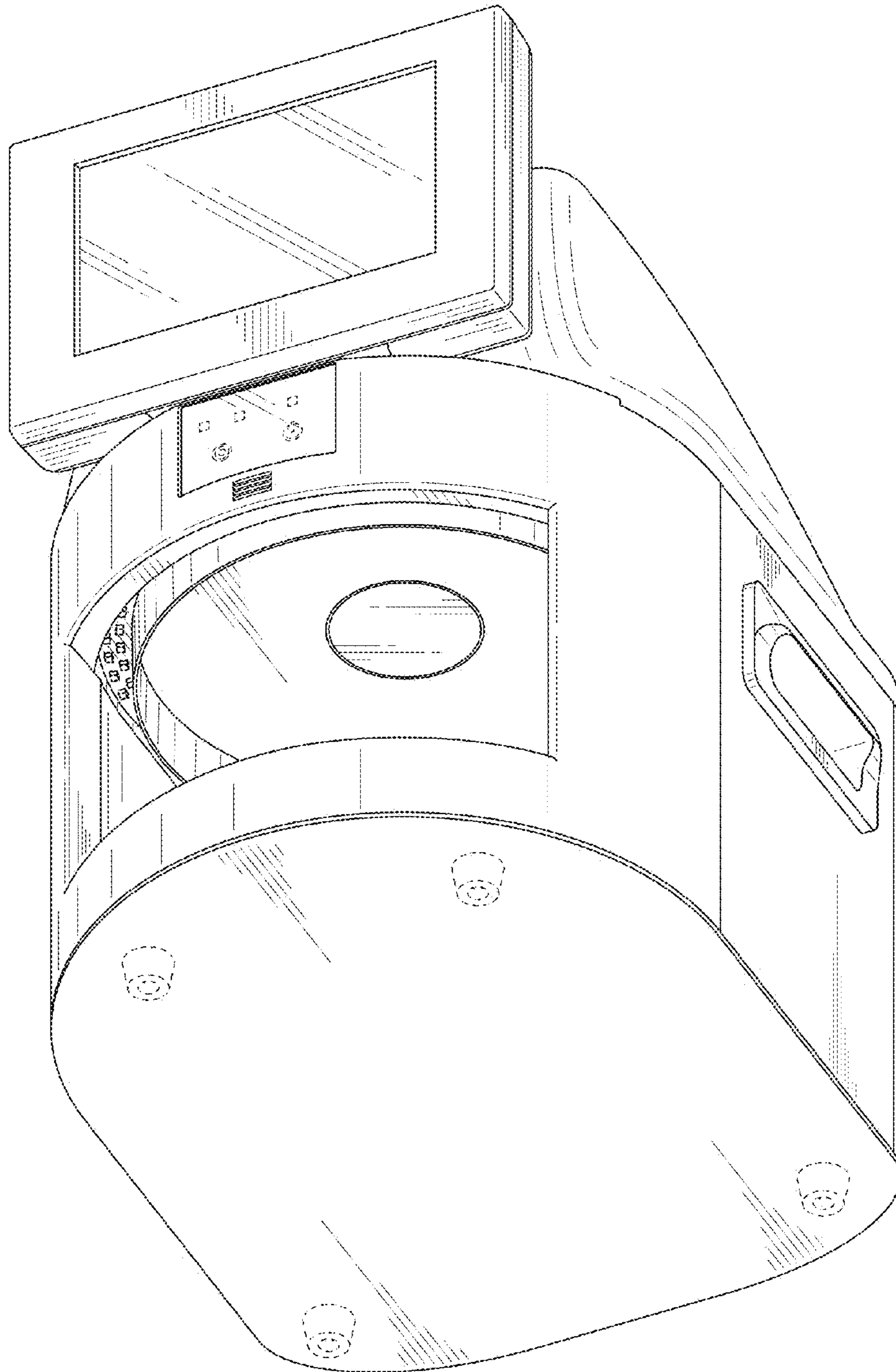


FIG. 3

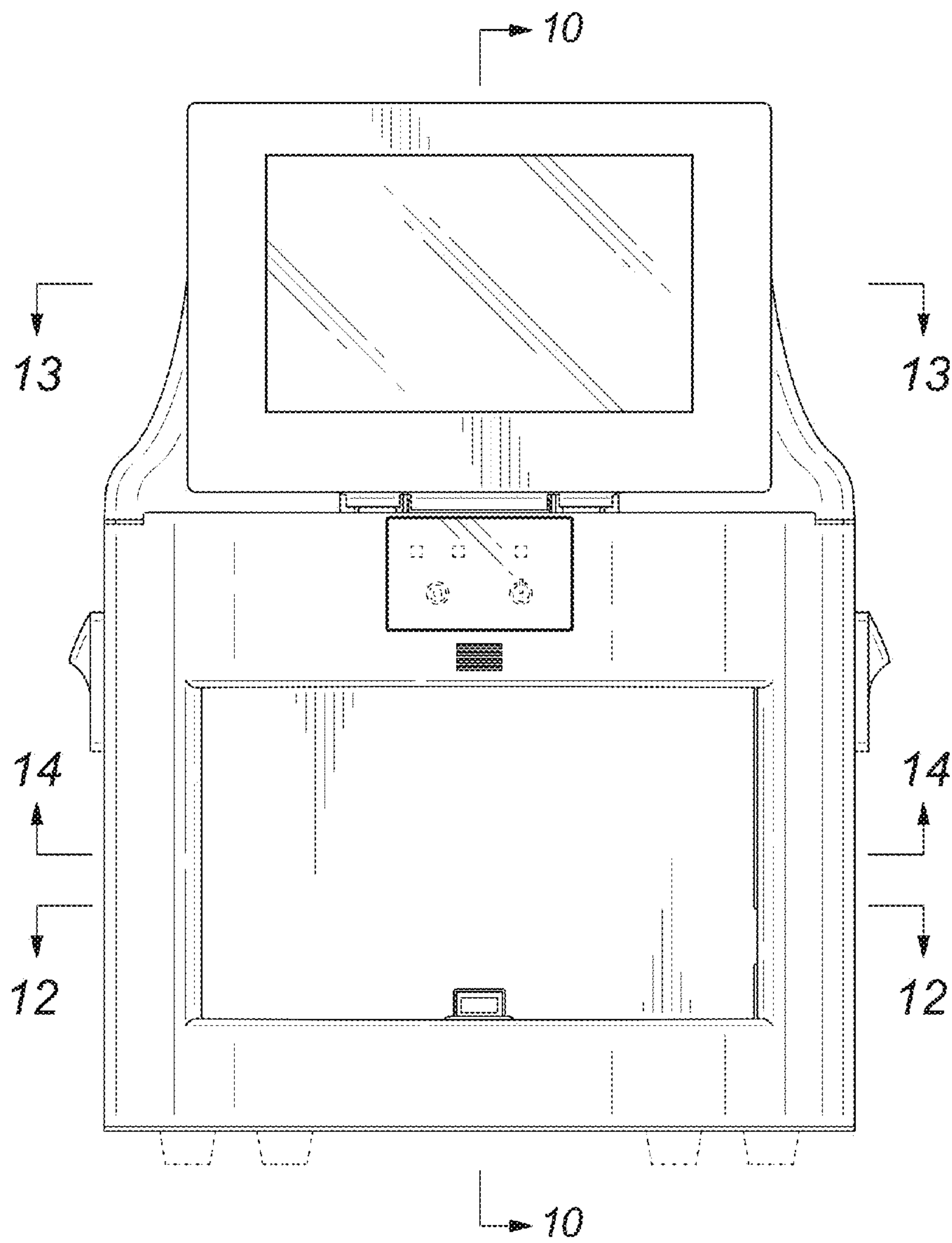


FIG. 4

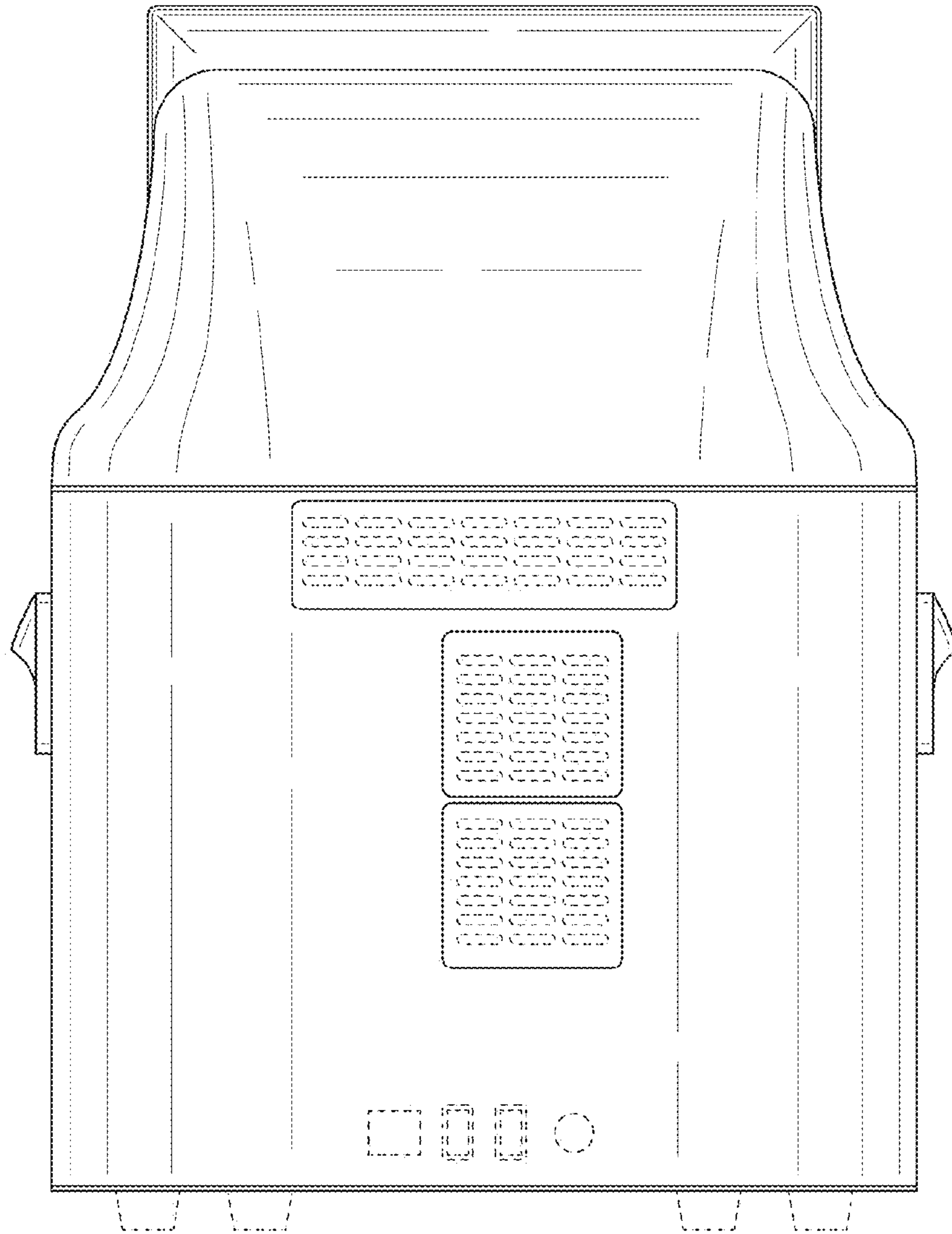


FIG. 5

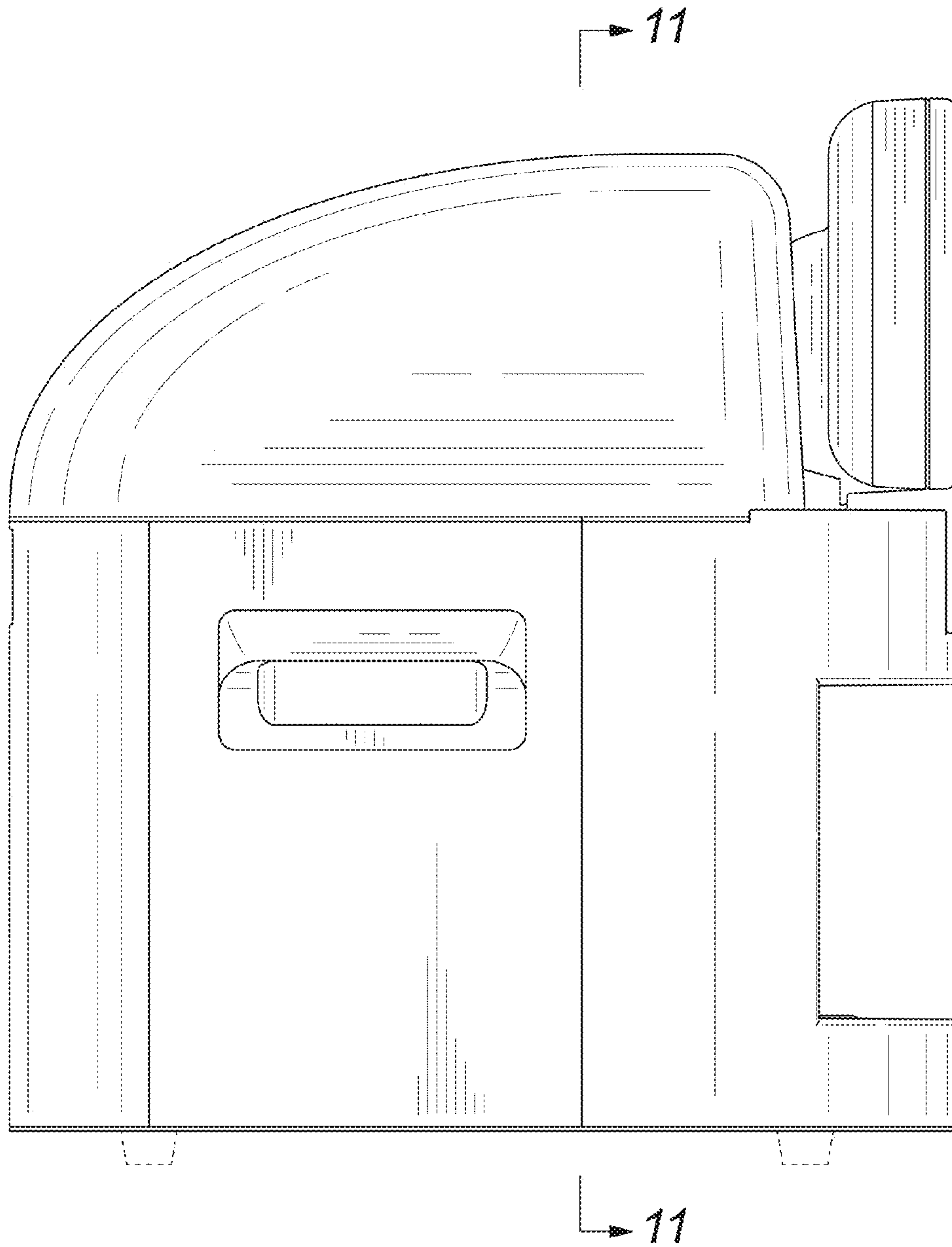


FIG. 6

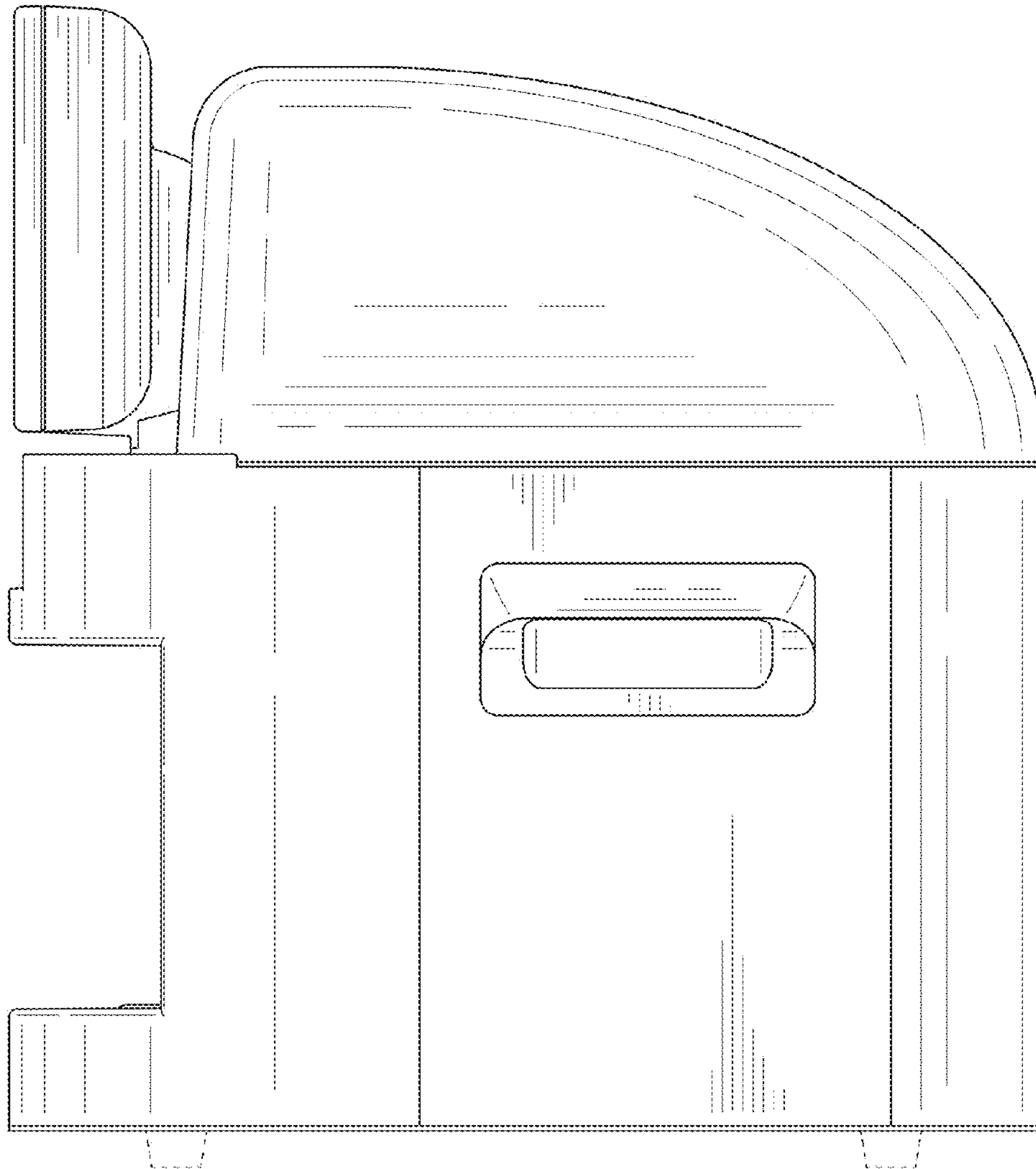


FIG. 7

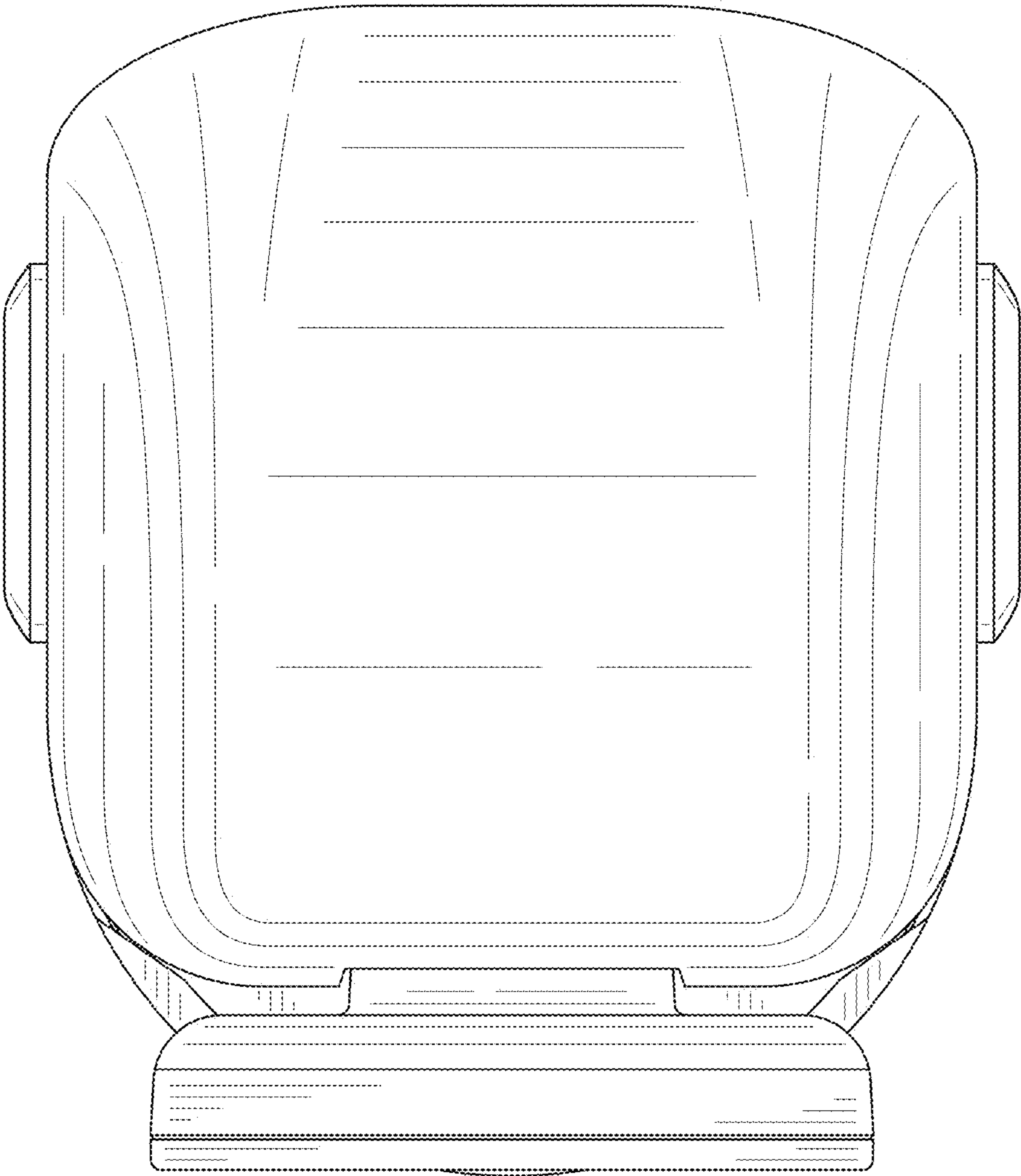


FIG. 8

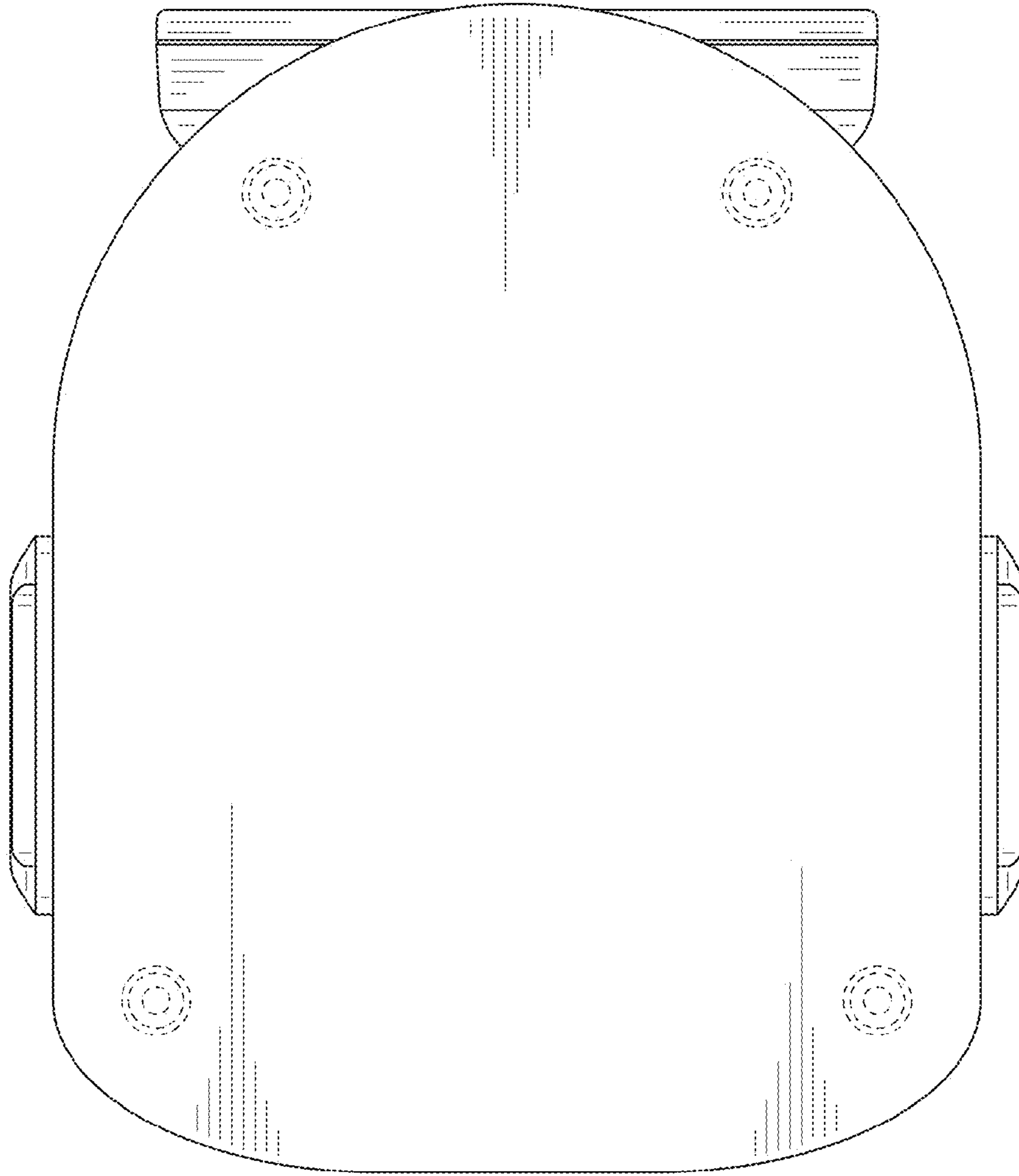


FIG. 9

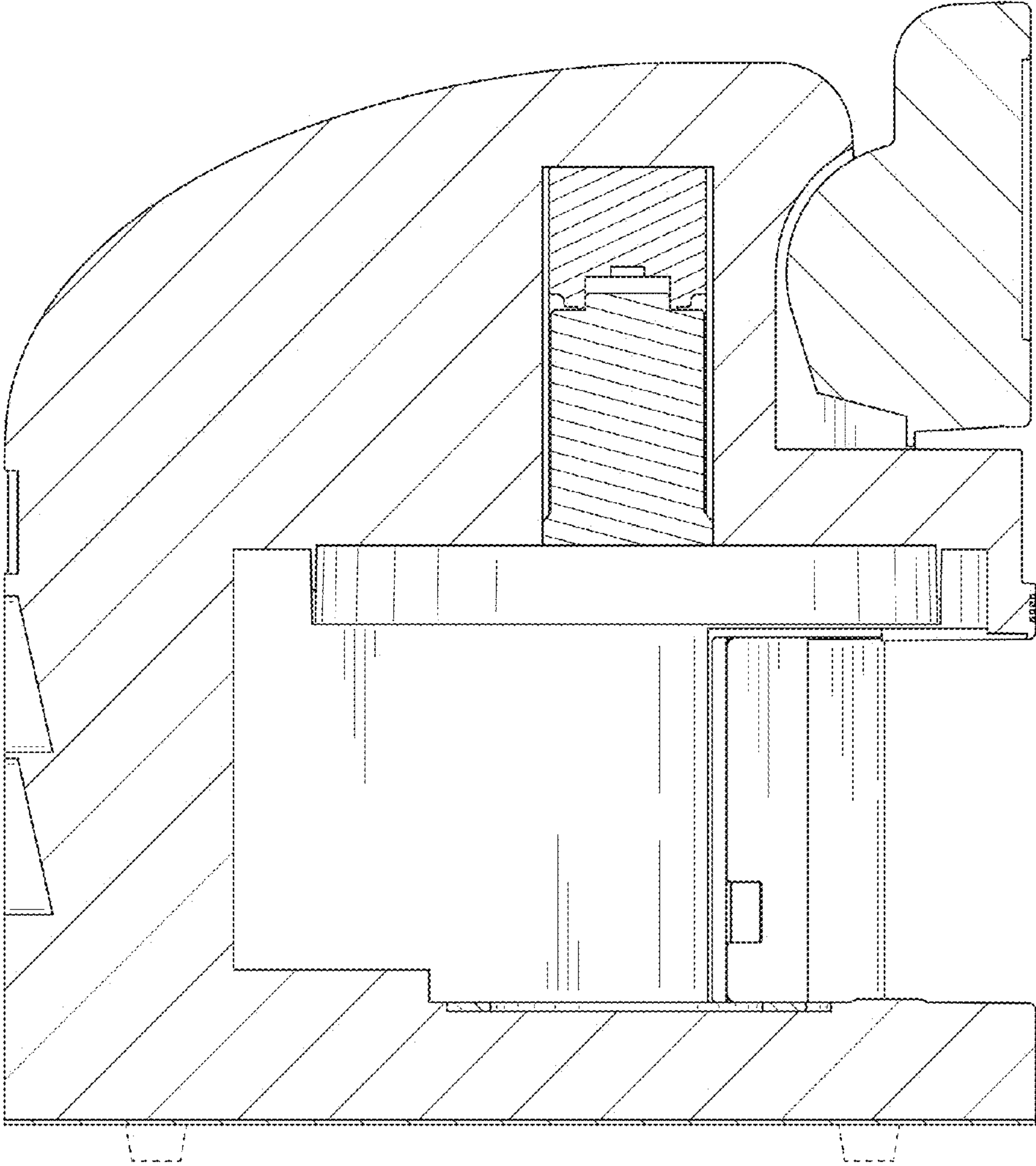


FIG. 10

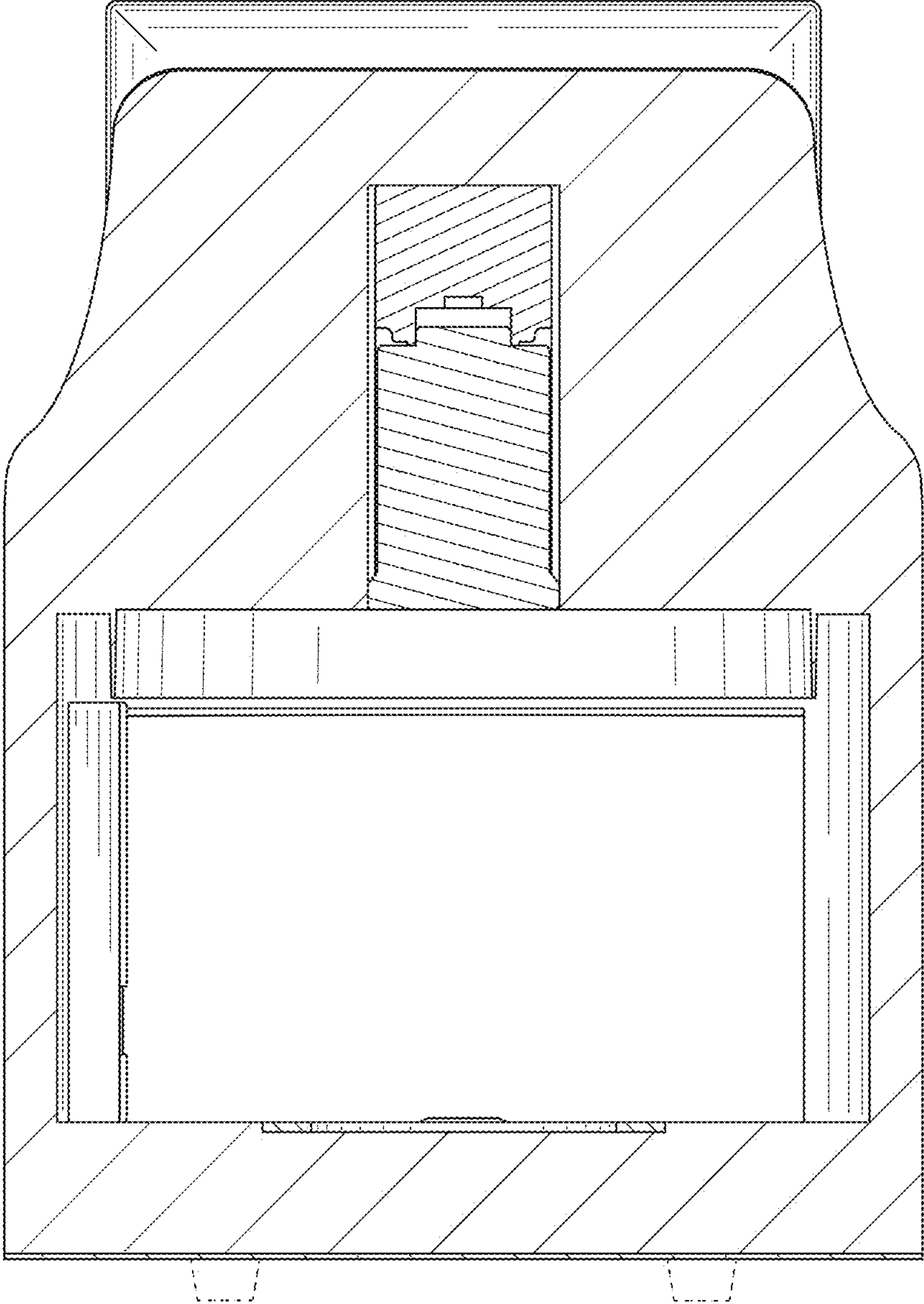


FIG. 11

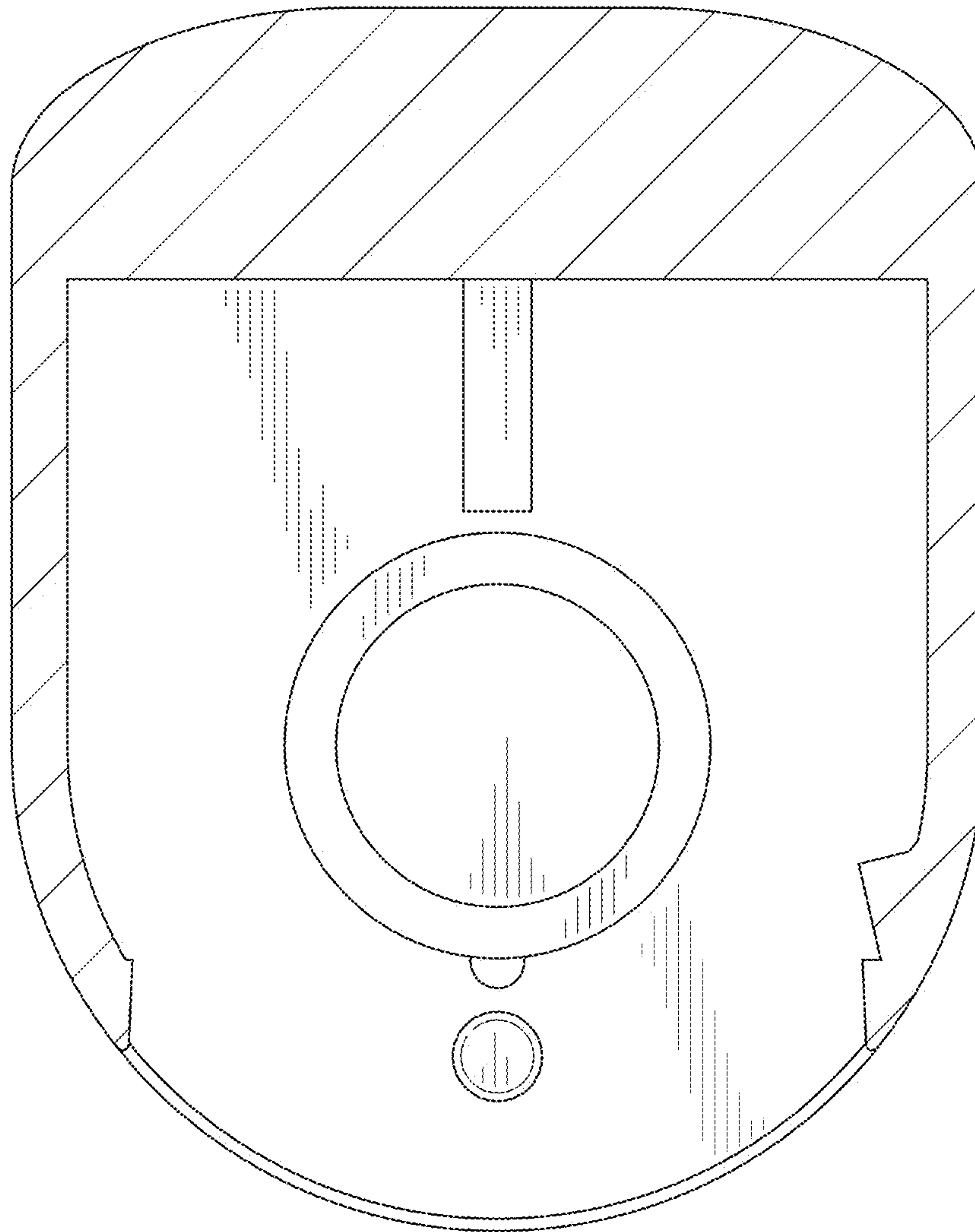


FIG. 12

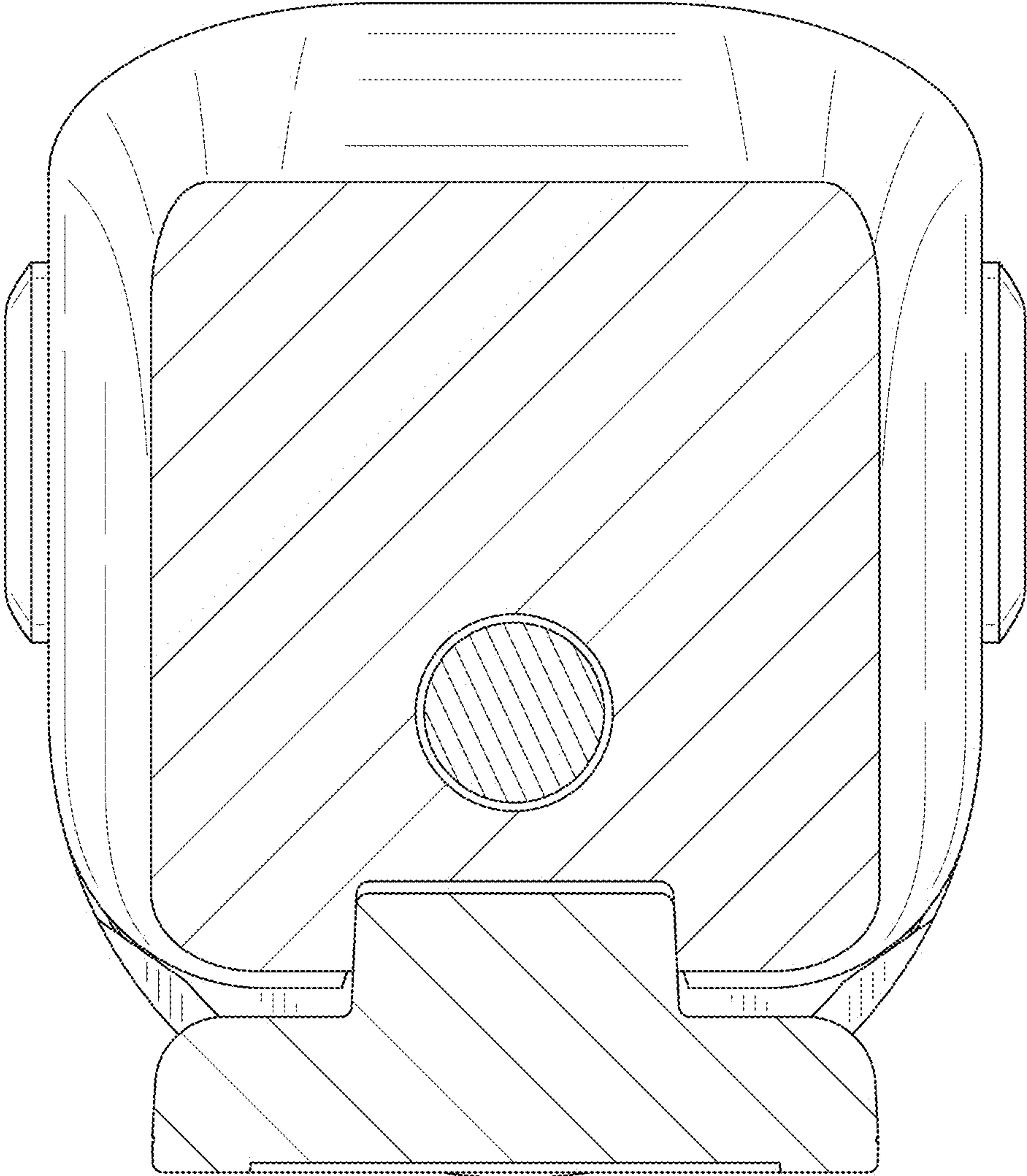


FIG. 13

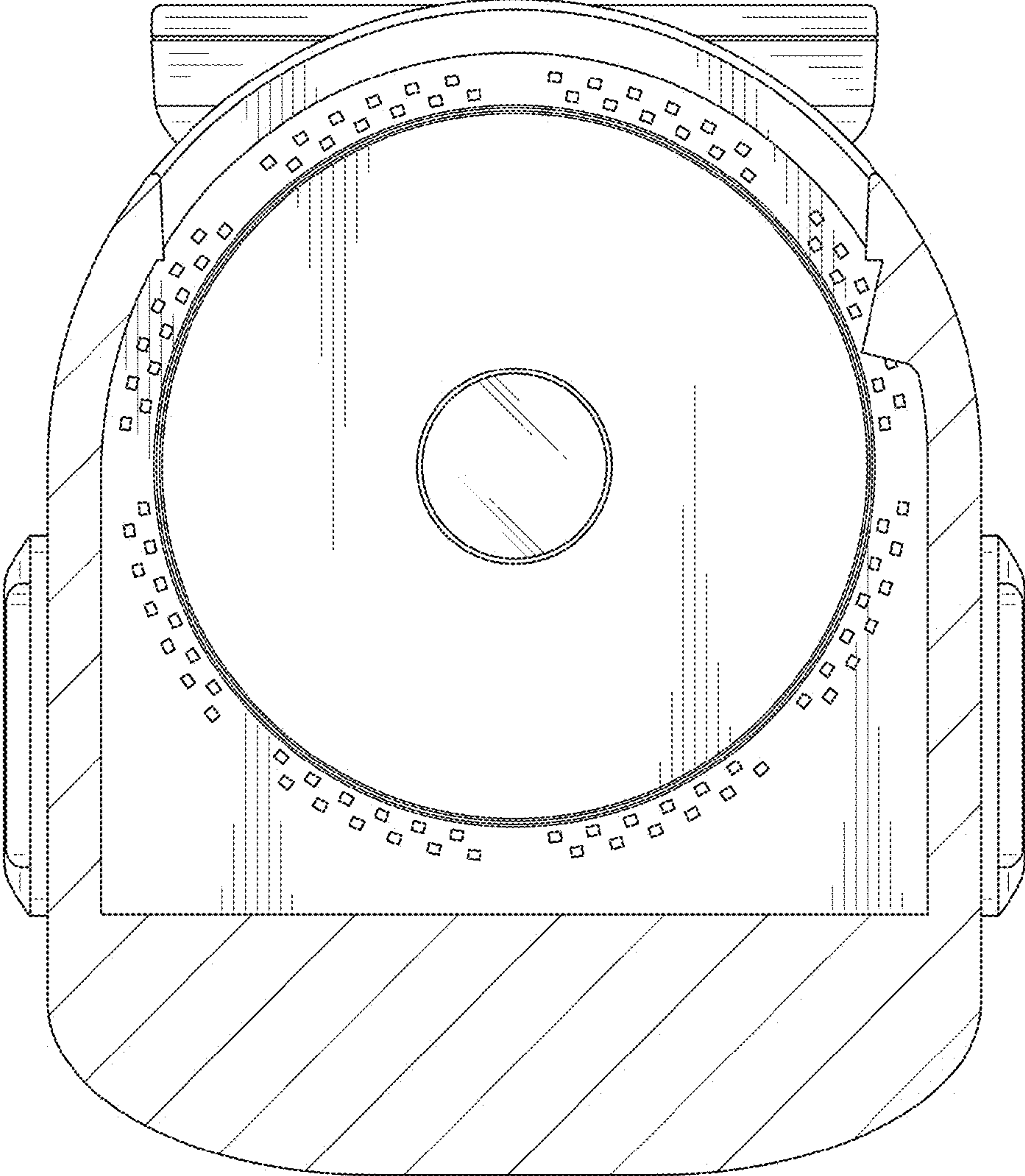


FIG. 14