



US00D742764S

(12) **United States Design Patent**  
**Steib**

(10) **Patent No.:** **US D742,764 S**

(45) **Date of Patent:** **\*\* Nov. 10, 2015**

(54) **COMBINED BADGE REEL AND WATCH FACE**

(71) Applicant: **Tamara Steib**, Union, IL (US)

(72) Inventor: **Tamara Steib**, Union, IL (US)

(\*\*) Term: **14 Years**

(21) Appl. No.: **29/497,220**

(22) Filed: **Jul. 22, 2014**

(51) **LOC (10) Cl.** ..... **10-02**

(52) **U.S. Cl.**  
USPC ..... **D10/31; D10/122; D10/126; D3/215**

(58) **Field of Classification Search**  
USPC ..... D10/30-39, 1-29, 122-132; D3/215  
CPC ..... G04B 19/00; G04B 19/04; G04B 19/06;  
G04B 37/00; G04B 37/0008; G04B 37/0058;  
G04B 37/12; G04B 37/128; G04B 45/00;  
G04B 45/0069; G04B 47/00; G04B 47/005;  
G09F 3/207; A45F 5/00; A45F 5/004; A45F  
2200/055

See application file for complete search history.

(56) **References Cited**

**U.S. PATENT DOCUMENTS**

1,861,644	A *	6/1932	Roberts	.....	63/1.13
D154,210	S *	6/1949	Okun	.....	D3/208
D300,409	S *	3/1989	Moser	.....	D10/30
D324,655	S *	3/1992	Bulgari	.....	D10/37
D346,973	S *	5/1994	Moore et al.	.....	D10/31
5,864,925	A *	2/1999	McGee	.....	24/3.11

D474,980	S *	5/2003	Finkay	.....	D10/31
D514,311	S *	2/2006	Cetera	.....	D3/215
7,774,969	B1 *	8/2010	Silverman	.....	40/661
D648,522	S *	11/2011	Gorman	.....	D3/215
D660,183	S *	5/2012	Giannini	.....	D10/30
D695,514	S *	12/2013	Young	.....	D3/215
D697,304	S *	1/2014	Westfall	.....	D3/215
D707,957	S *	7/2014	Oas	.....	D3/215
2003/0093931	A1 *	5/2003	Cuff	.....	40/1.6
2005/0011981	A1 *	1/2005	Baumgarten	.....	242/377

\* cited by examiner

*Primary Examiner* — Martie K Holtje

(57) **CLAIM**

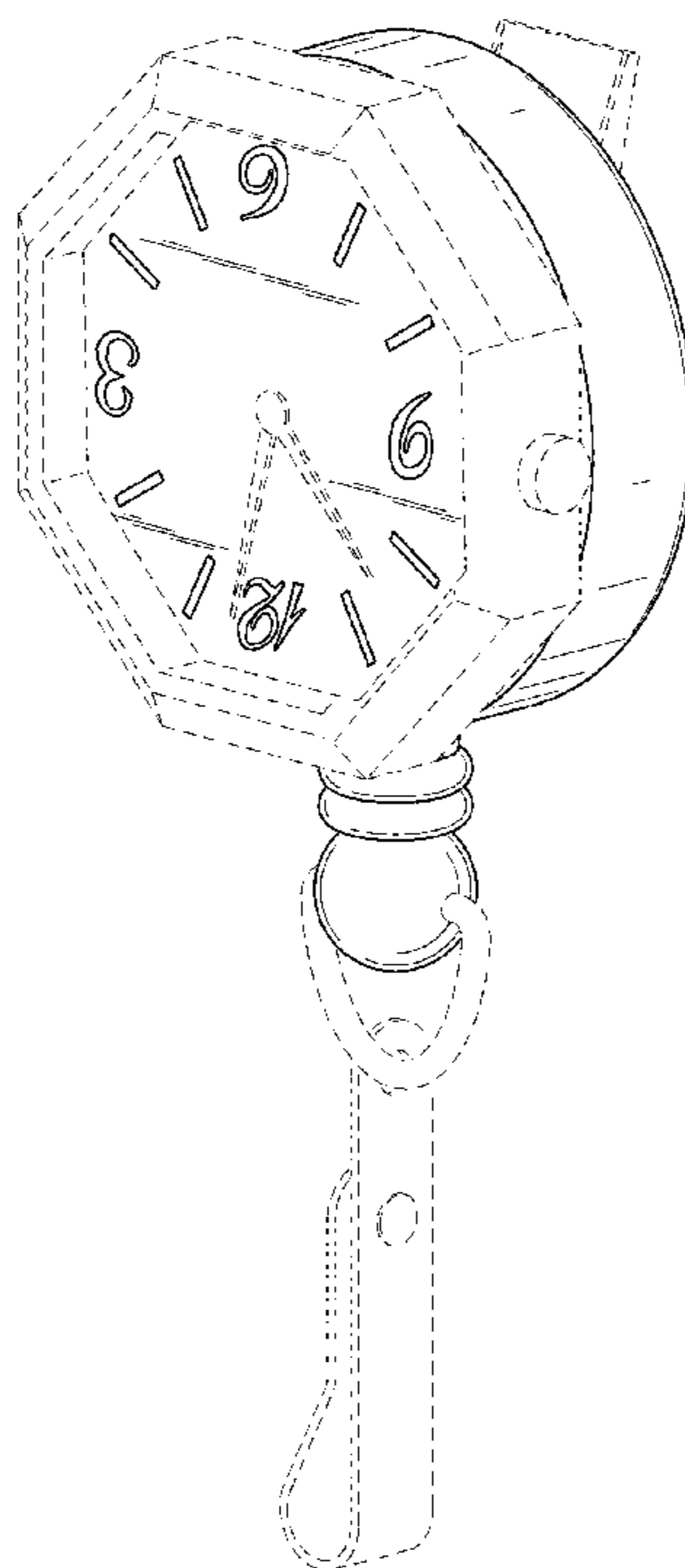
The ornamental design for a combined badge reel and watch face, as shown and described.

**DESCRIPTION**

FIG. 1 is a right front perspective view of a combined badge reel and watch face showing my new design; FIG. 2 is a front elevational view thereof; FIG. 3 is a rear elevational view thereof; FIG. 4 is a left side elevational view thereof; FIG. 5 is a right side elevational view thereof; FIG. 6 is a top plan view thereof; and, FIG. 7 is a bottom plan view thereof.

The structural features depicted by broken lines have been shown for the purpose of illustrating portions of the combined badge reel and watch face that form no part of the claimed design.

**1 Claim, 4 Drawing Sheets**



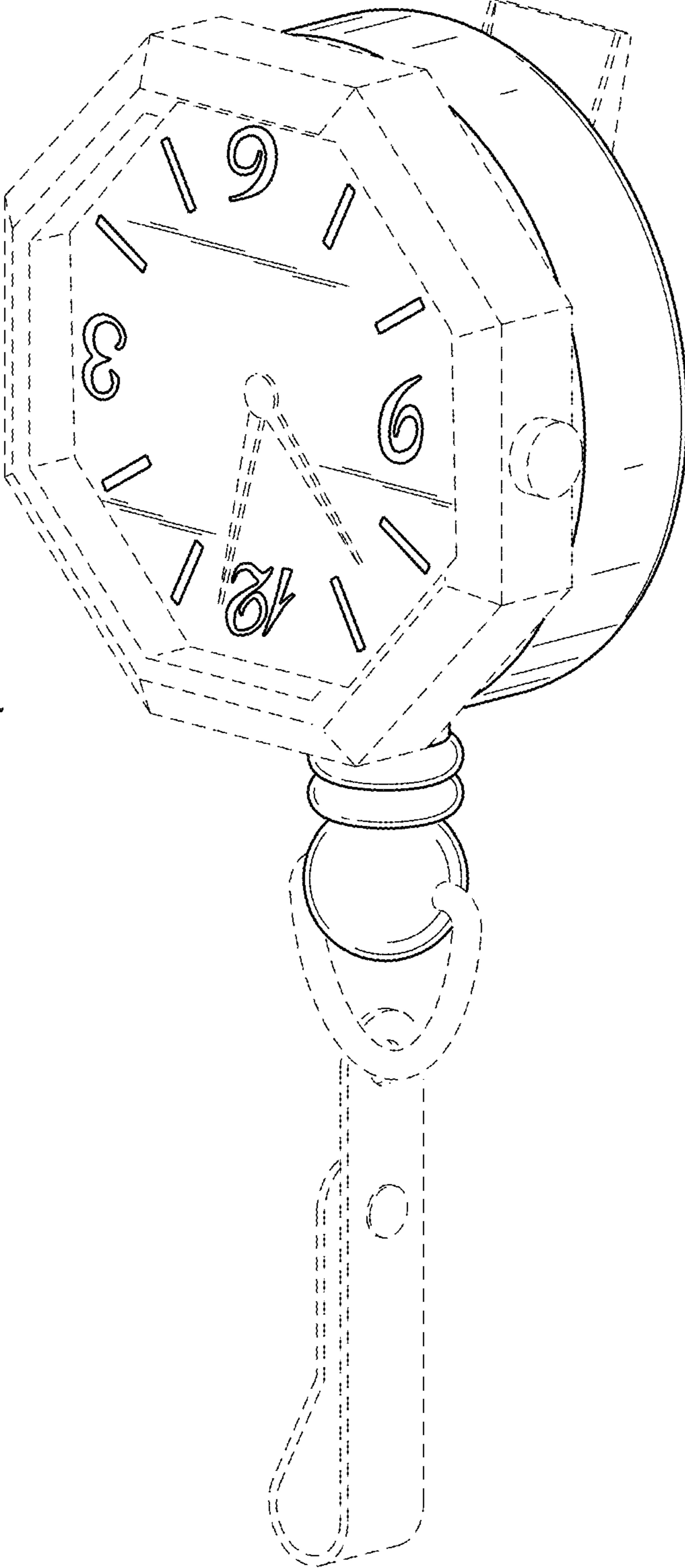


FIG. 1

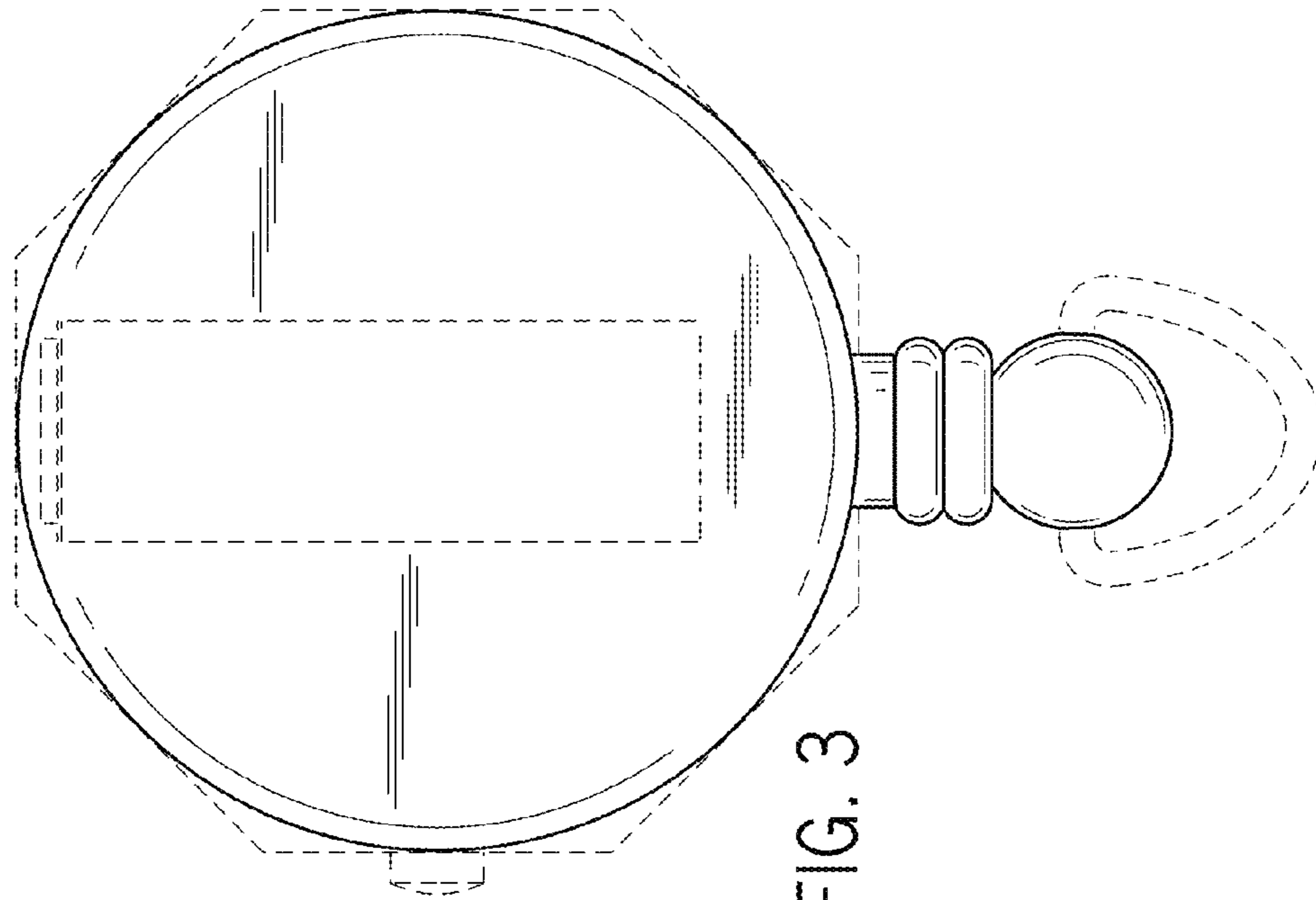


FIG. 3

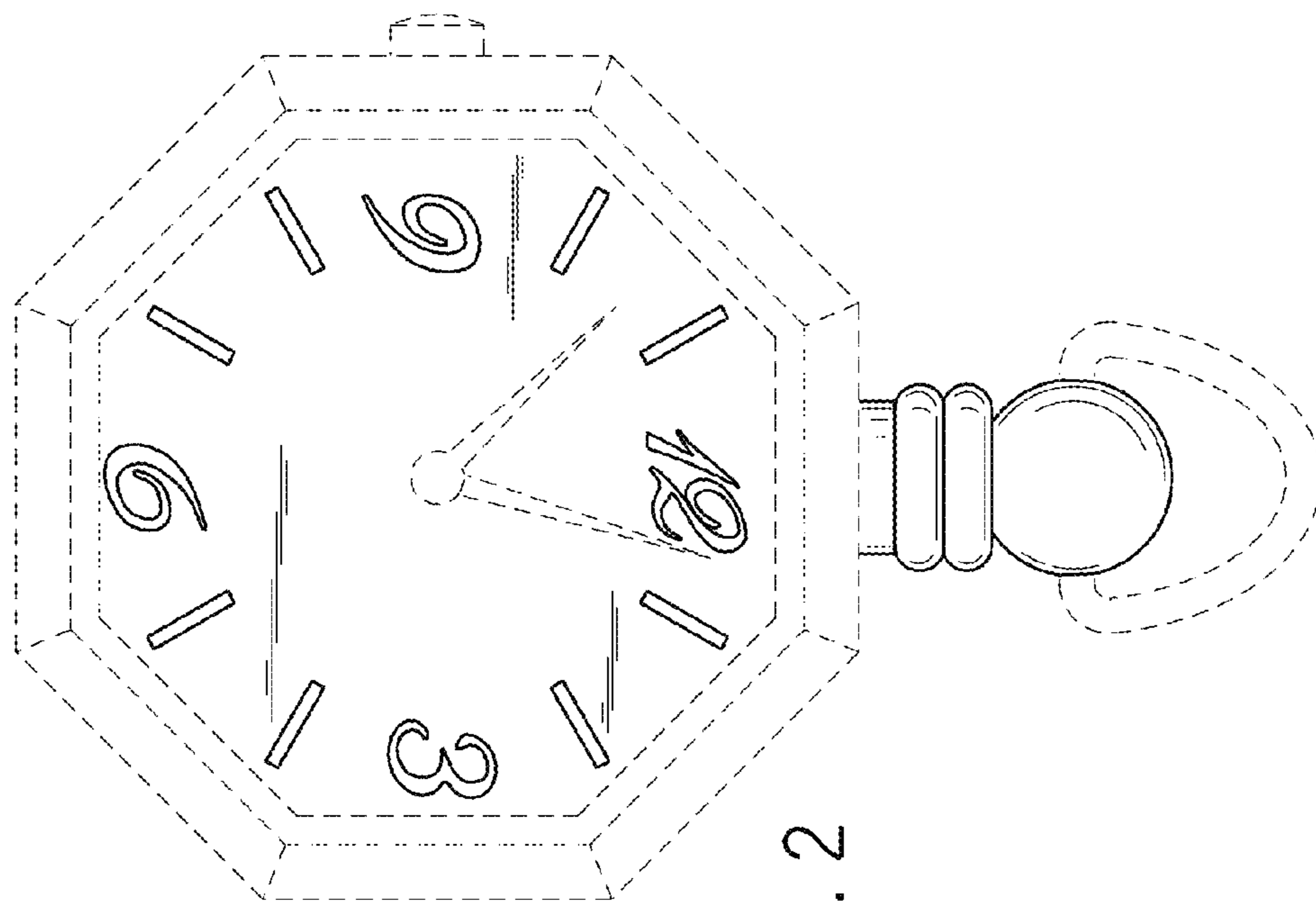


FIG. 2

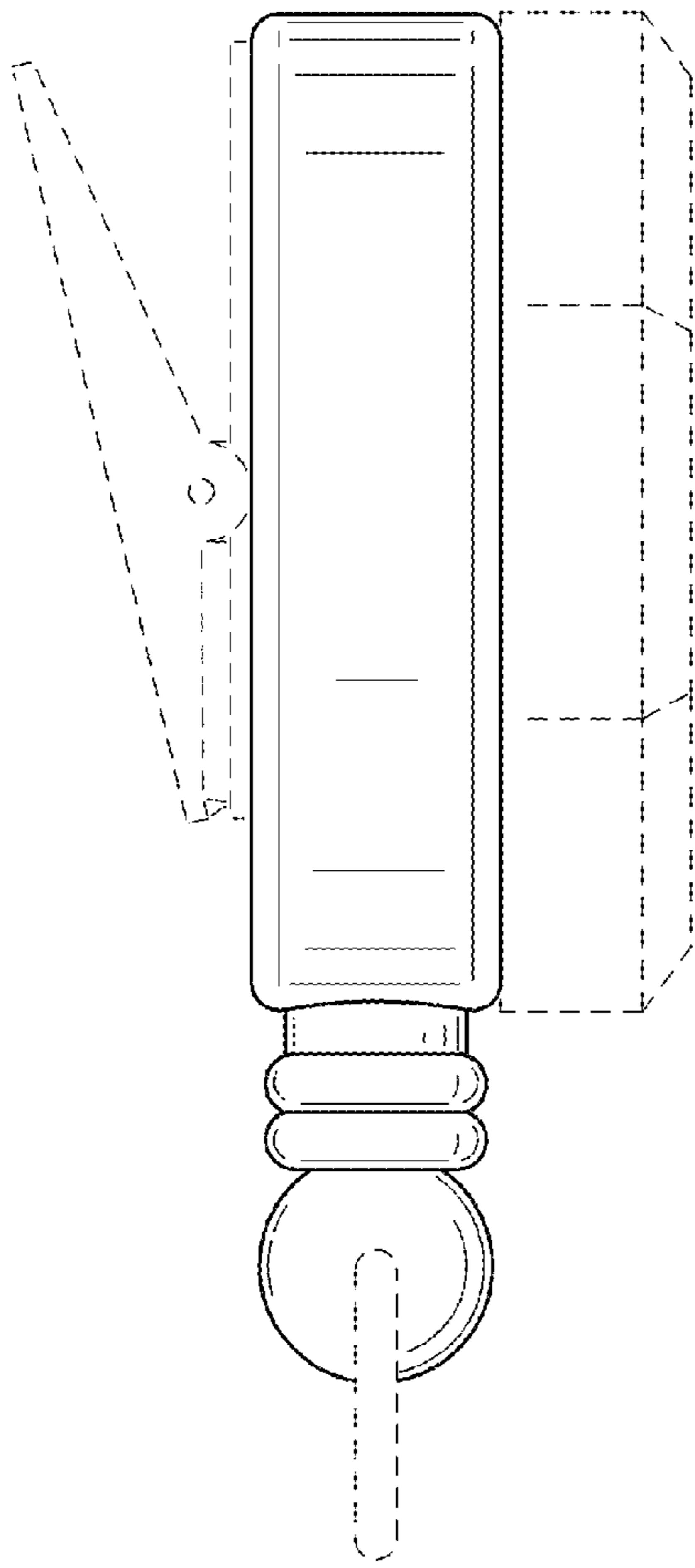


FIG. 4

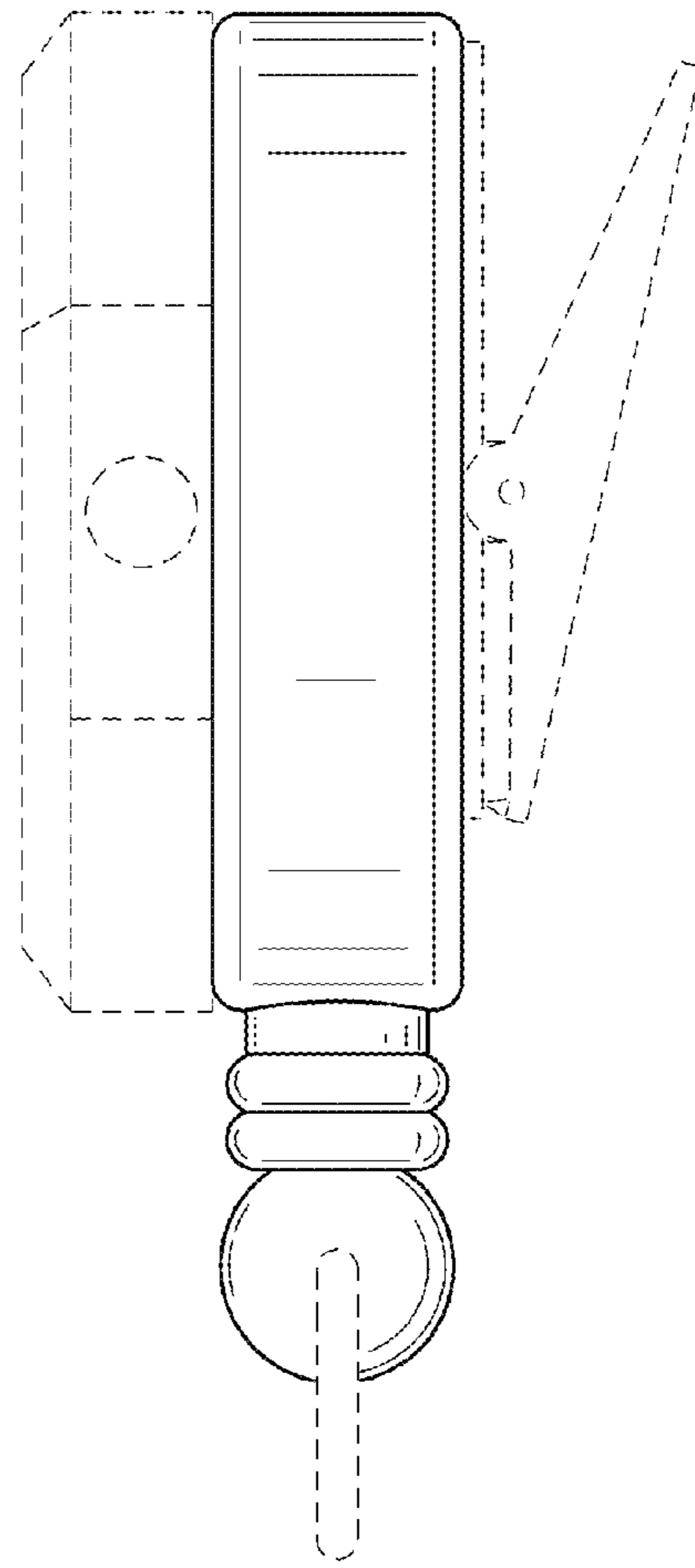


FIG. 5

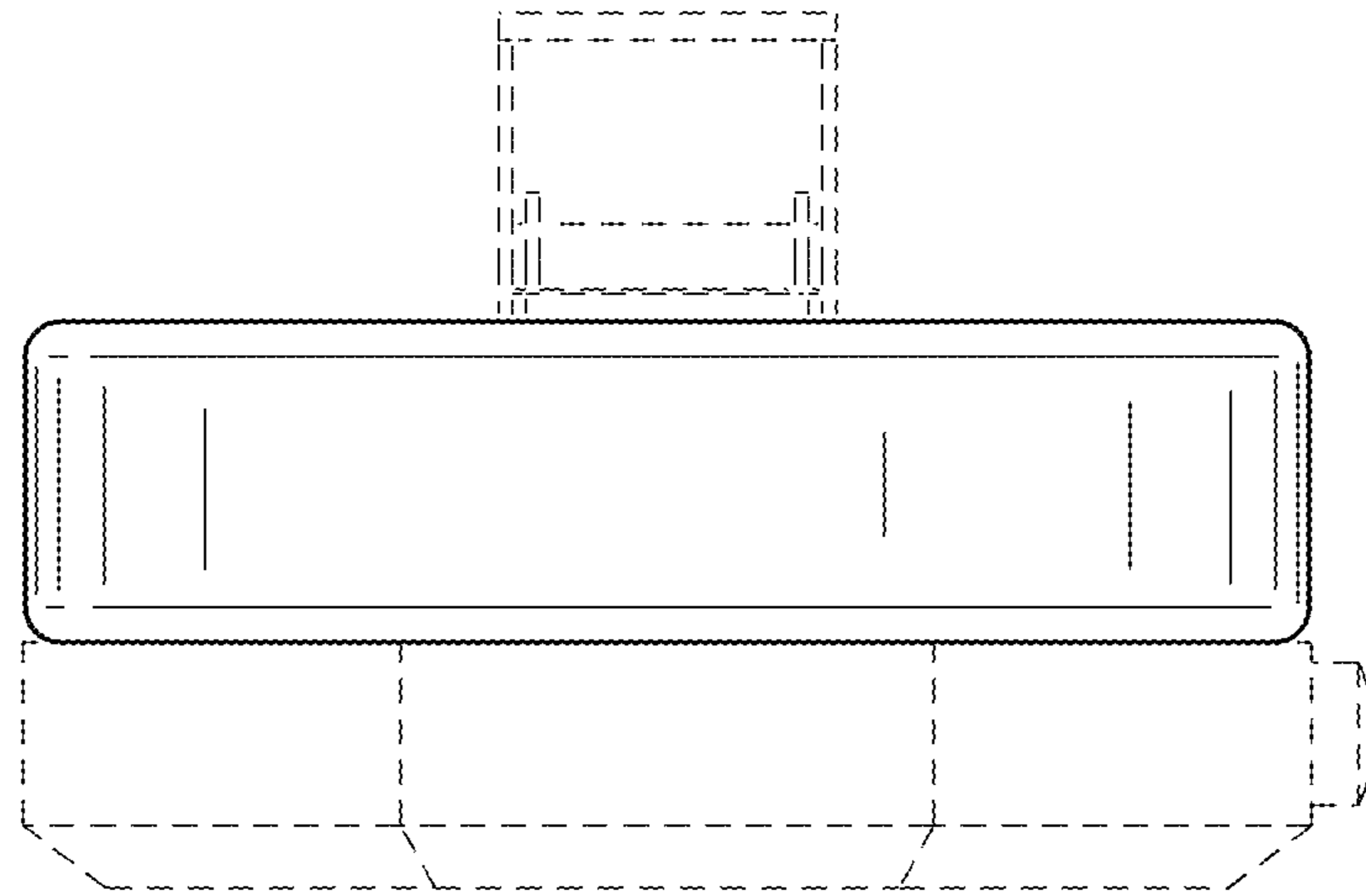


FIG. 6

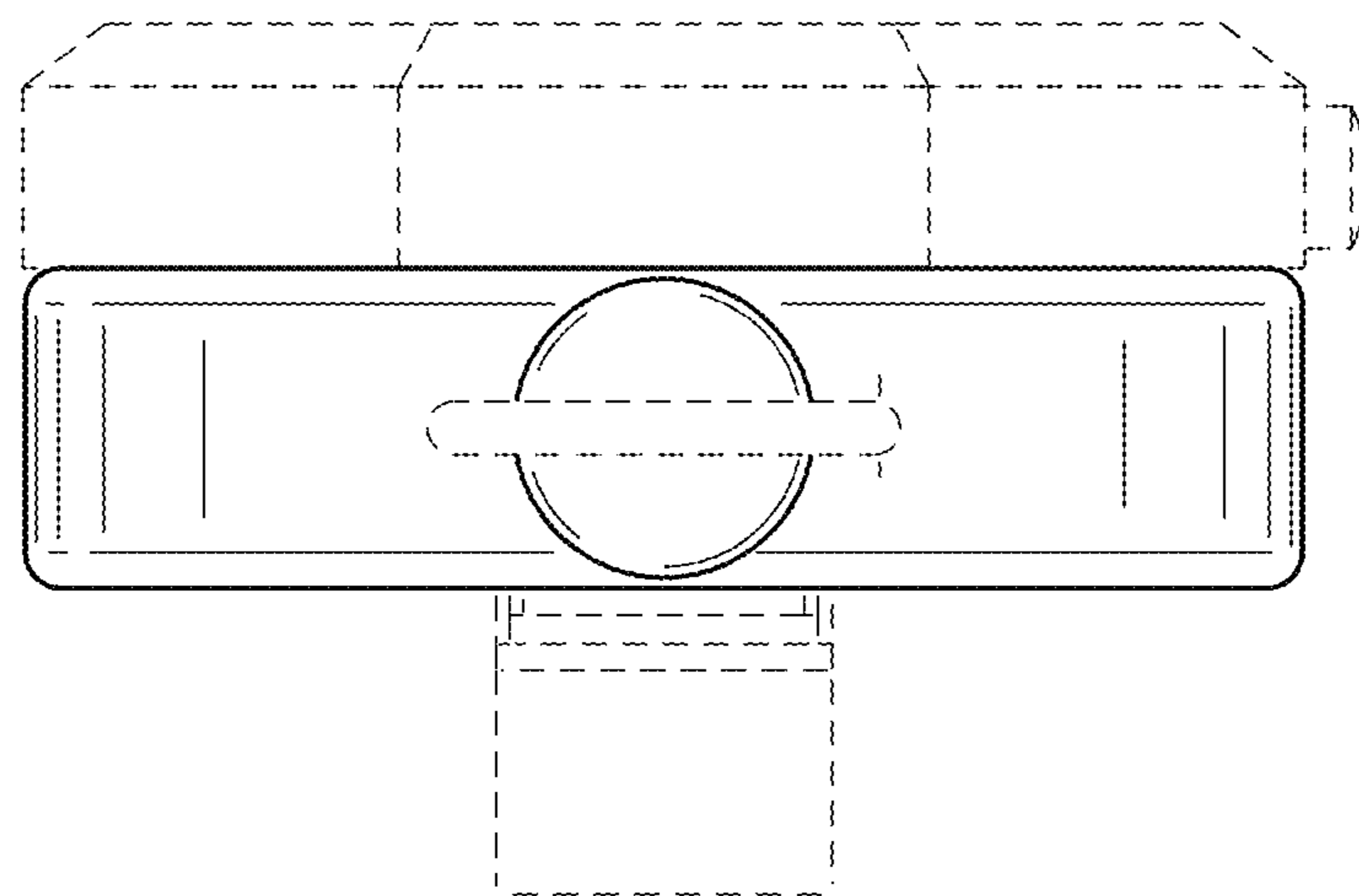


FIG. 7