

US00D742761S

(12) **United States Design Patent**
Grazian et al.

(10) **Patent No.:** **US D742,761 S**

(45) **Date of Patent:** **** Nov. 10, 2015**

(54) **WATCH WITH DISPLAY**

(71) Applicant: **Garmin Switzerland GmbH**,
Schaffhausen (CH)

(72) Inventors: **Anthony P. Grazian**, Kansas City, MO
(US); **Peter J. Henne**, Overland Park,
KS (US); **Warren R. Stevens**, Olathe,
KS (US); **Thomas J. Vehlewald**, Olathe,
KS (US); **Byron A. Marshall**, Overland
Park, KS (US)

(73) Assignee: **Garmin Switzerland GmbH** (CH)

(**) Term: **14 Years**

(21) Appl. No.: **29/490,473**

(22) Filed: **May 9, 2014**

(51) **LOC (10) Cl.** **10-02**

(52) **U.S. Cl.**
USPC **D10/30; D10/38**

(58) **Field of Classification Search**
USPC D10/30-39, 1-29, 122-132; D11/3;
D14/138 R, 344

CPC G04B 37/00; G04B 37/0008; G04C 3/00;
G04C 3/001; G04C 3/002; G04G 9/00;
G04G 9/0017; G04G 9/0058; G04G 9/04;
G04G 9/06; G04G 9/107; G04G 17/00;
G04G 17/005; G04G 17/08

See application file for complete search history.

(56) **References Cited**

U.S. PATENT DOCUMENTS

4,051,662 A 10/1977 O'Connor et al. 368/29
4,180,969 A 1/1980 Naito 368/21
D261,112 S 10/1981 Fukumura D10/38
D261,113 S 10/1981 Fukumura D10/39

D263,452 S 3/1982 Wada D10/38
D265,295 S 7/1982 Wada D10/38
D266,491 S 10/1982 Abe D10/39
4,398,834 A 8/1983 Wakai 368/223
D303,769 S 10/1989 Ando D10/38
D331,020 S 11/1992 Ishii et al. D10/31
D331,021 S 11/1992 Ishii et al. D10/31
D355,610 S 2/1995 Sugita D10/31
D363,234 S 10/1995 Morishima et al. D10/38
D370,639 S 6/1996 Morishima et al. D10/38

(Continued)

OTHER PUBLICATIONS

Design U.S. Appl. No. 29/299,704, filed Jan. 2, 2008.

(Continued)

Primary Examiner — Martie K Holtje

(74) *Attorney, Agent, or Firm* — Samuel M. Korte; Maxwell
M. Ali

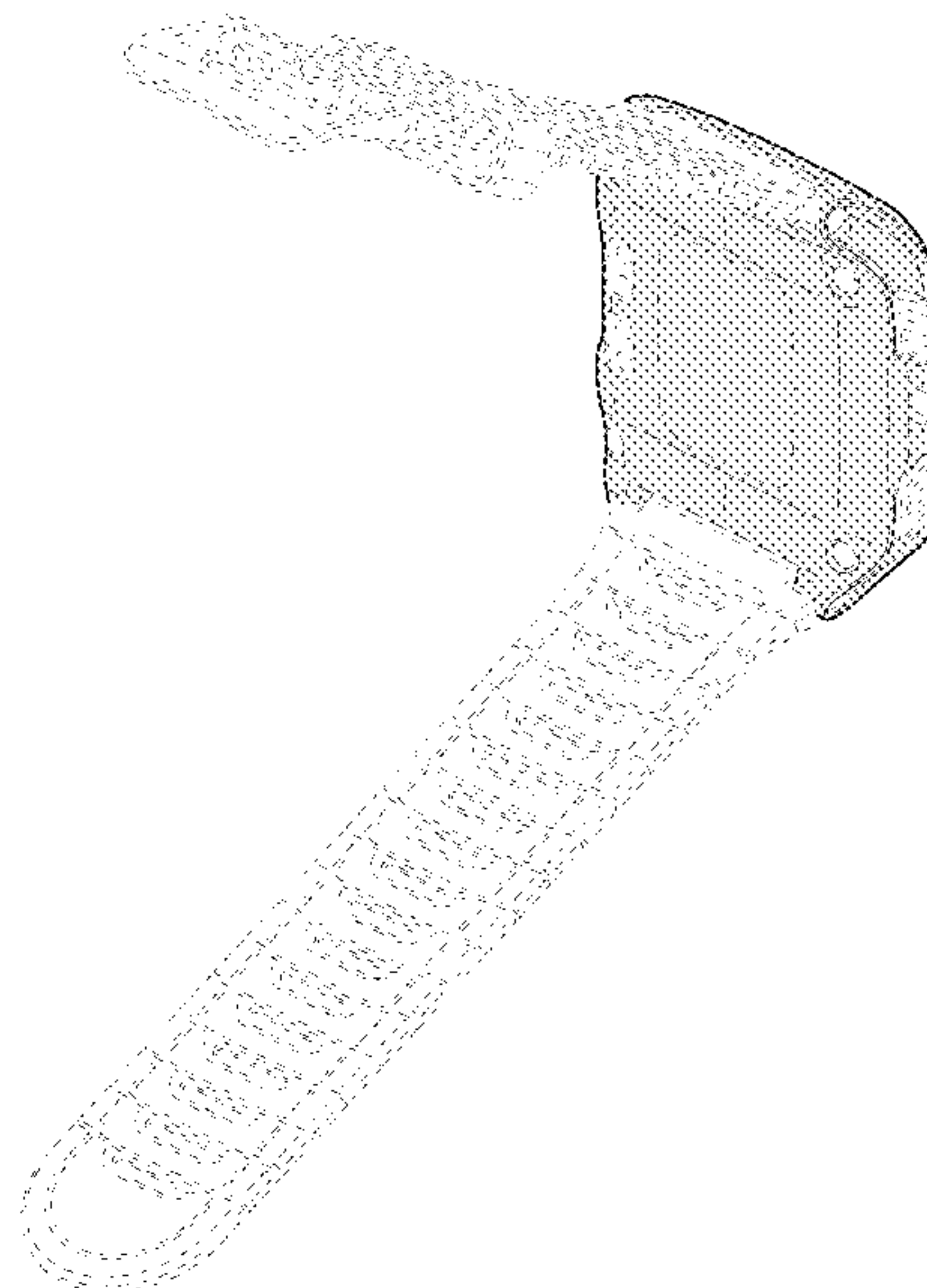
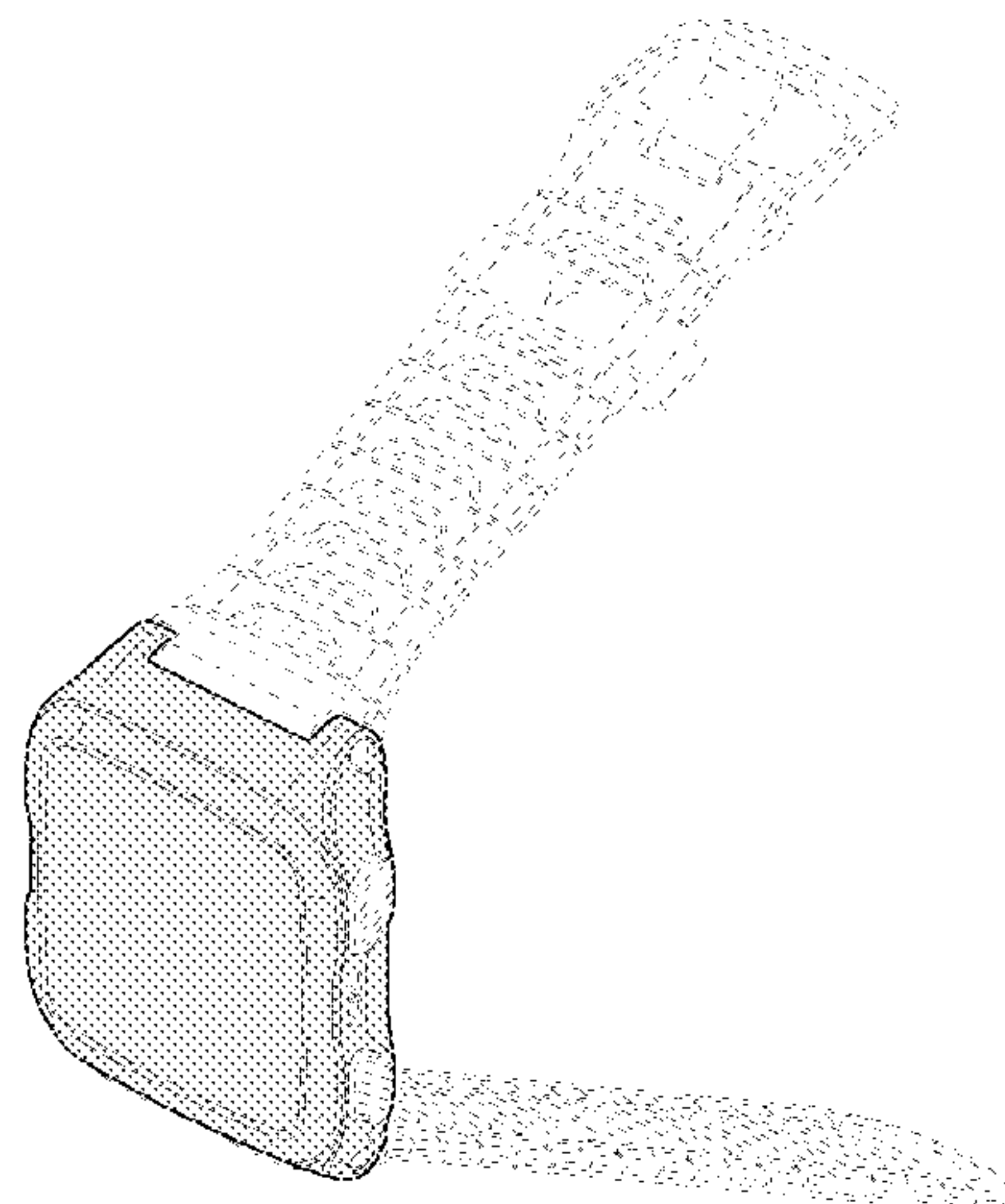
(57) **CLAIM**

The ornamental design for a watch with display, as shown and
described.

DESCRIPTION

FIG. 1 is a front perspective view of a watch with display
according to the present invention;
FIG. 2 is a rear perspective view of the watch with display;
FIG. 3 is a top view of the watch with display;
FIG. 4 is a front view of the watch with display;
FIG. 5 is a bottom view of the watch with display;
FIG. 6 is a rear view of the watch with display;
FIG. 7 is a left side view of the watch with display; and,
FIG. 8 is a right side view of the watch with display.
The broken lines shown in the drawings represent portions of
the watch with display that form no part of the claimed design.

1 Claim, 4 Drawing Sheets



(56)

References Cited

U.S. PATENT DOCUMENTS

D390,789 S 2/1998 Sugita et al. D10/30
 5,974,000 A * 10/1999 Pfeil 368/10
 D452,008 S 12/2001 Komulainen D24/167
 D527,657 S 9/2006 Wilcox et al. D10/38
 D549,602 S 8/2007 Oberrieder et al. D10/65
 D550,101 S * 9/2007 Umebayashi et al. D10/32
 D550,105 S 9/2007 Oberrieder et al. D10/65
 D551,094 S 9/2007 Yan D10/32
 D560,520 S 1/2008 Oberrieder et al. D10/65
 7,398,151 B1 7/2008 Burrell et al. 701/200
 D596,510 S 7/2009 Register et al. D10/38
 D610,922 S 3/2010 Lammers-Meis et al. D10/32
 D637,918 S * 5/2011 Cobbett et al. D10/31
 D638,736 S * 5/2011 Cobbett et al. D11/3
 8,059,491 B1 * 11/2011 Hennings-Kampa 368/14
 D660,726 S * 5/2012 Register et al. D10/38
 D661,206 S 6/2012 Register et al. D10/38
 8,345,412 B2 * 1/2013 Maravilla et al. 361/679.03

D688,582 S * 8/2013 Wilson D10/128
 D688,967 S * 9/2013 Wilson D10/128
 2011/0012796 A1 * 1/2011 Kim et al. 343/702
 2013/0181873 A1 * 7/2013 Gutschenritter et al. 343/718
 2013/0242709 A1 * 9/2013 Chan 368/10

OTHER PUBLICATIONS

Design U.S. Appl. No. 29/466,943, filed Sep. 13, 2013.
 Design U.S. Appl. No. 29/357,449, filed Mar. 12, 2010.
 Design U.S. Appl. No. 29/417,510, filed Apr. 4, 2012.
 Printout from http://www.polar.com/us-en/products/improve_fitness/running_multisport/RC3_GPS printed prior to May 9, 2014.
 Printout from http://www.polar.com/us-en/products/maximize_performance/running_multisport/RCX5 printed prior to May 9, 2014.
 Printout from <http://www.timex.com/watches/timex-ironman-easy-trainer-gps-t5k754f5> printed prior to May 9, 2014.
 Printout from https://secure-nikeplus.nike.com/plus/products/sport_watch/ printed prior to May 9, 2014.

* cited by examiner

Fig. 1

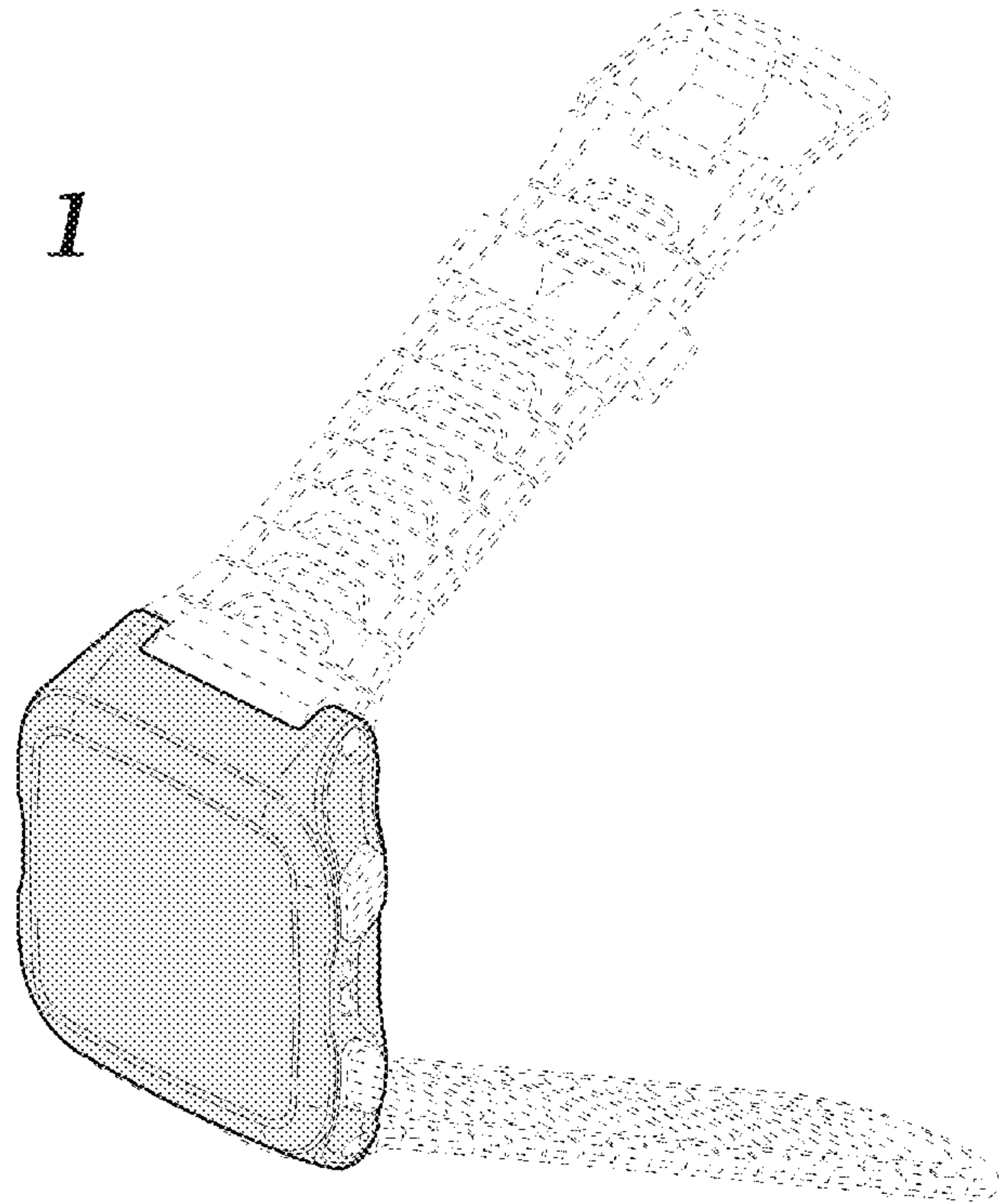


Fig. 2

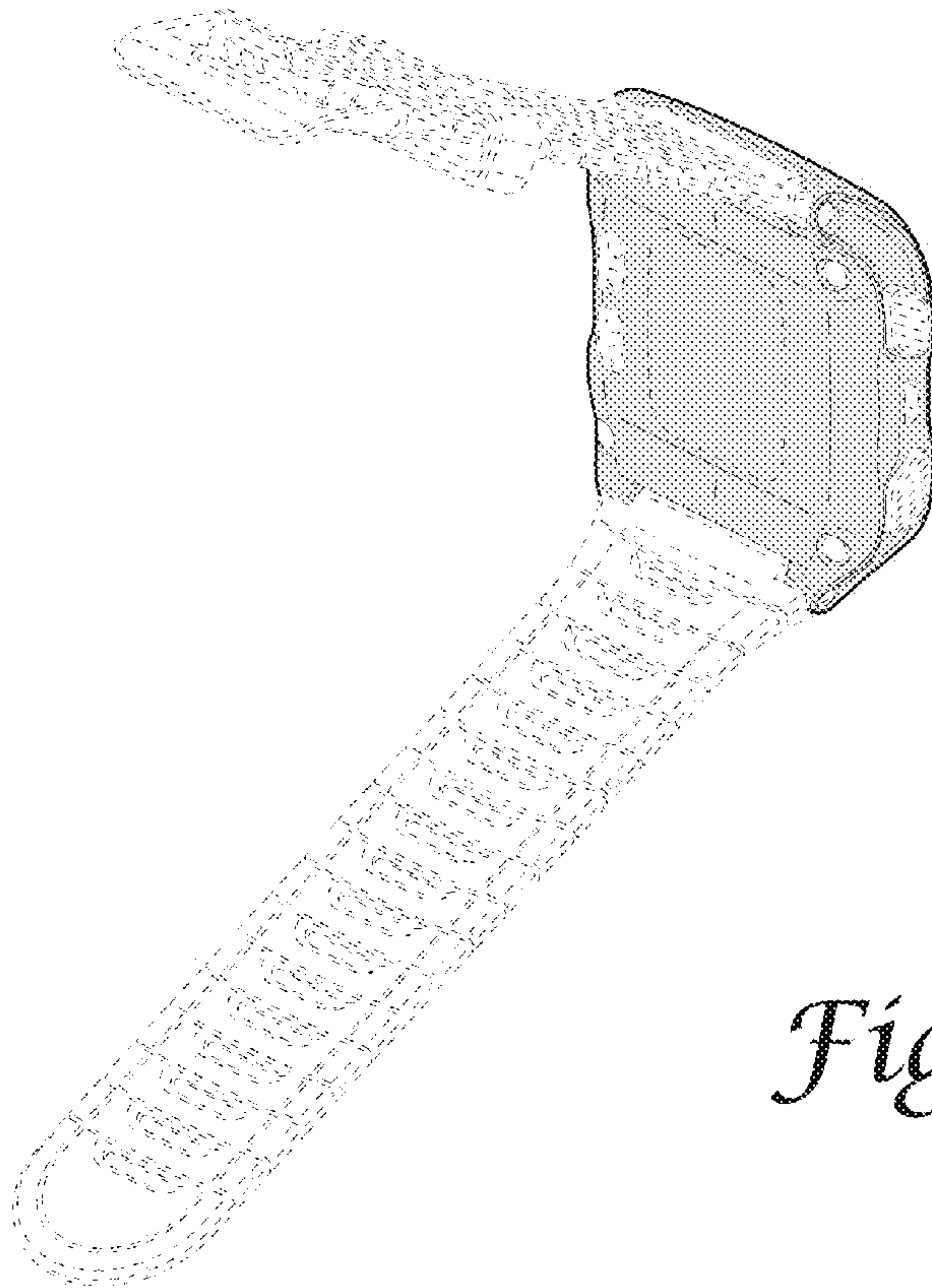


Fig. 3

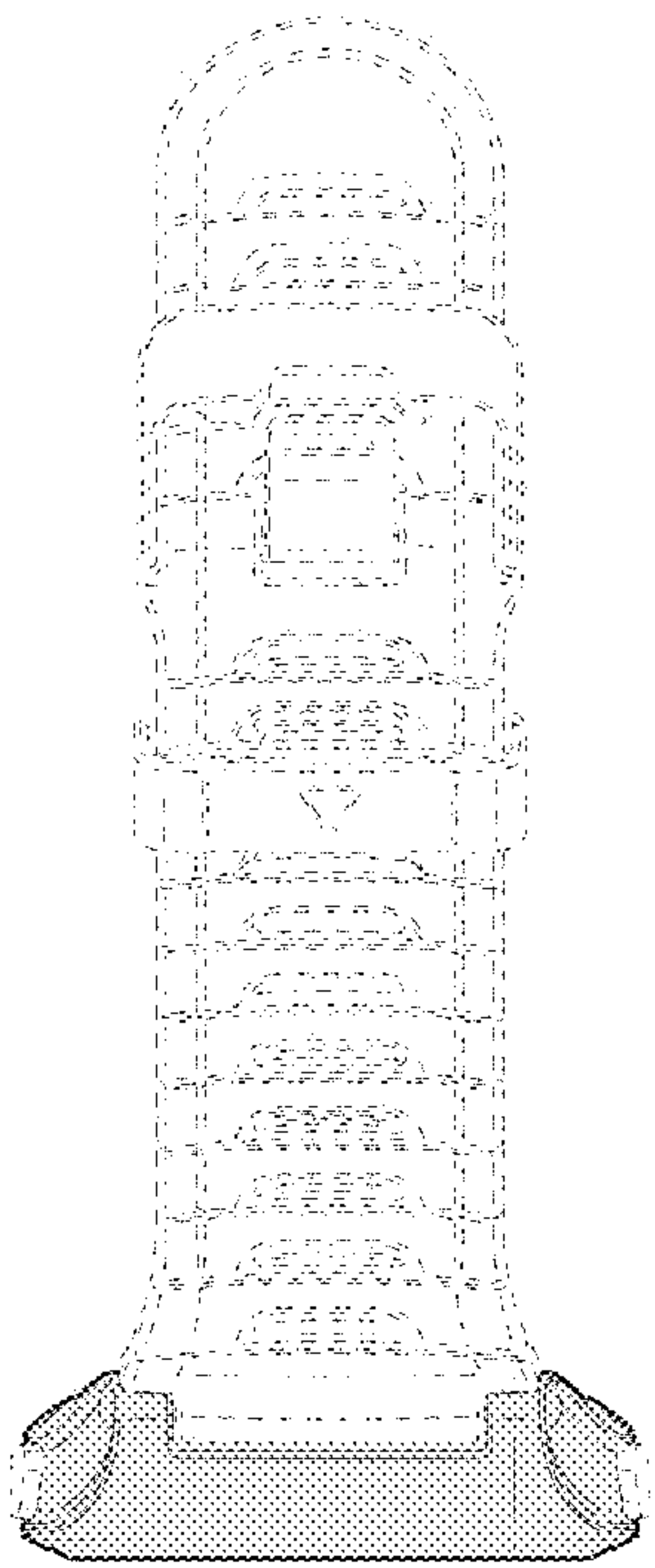


Fig. 4

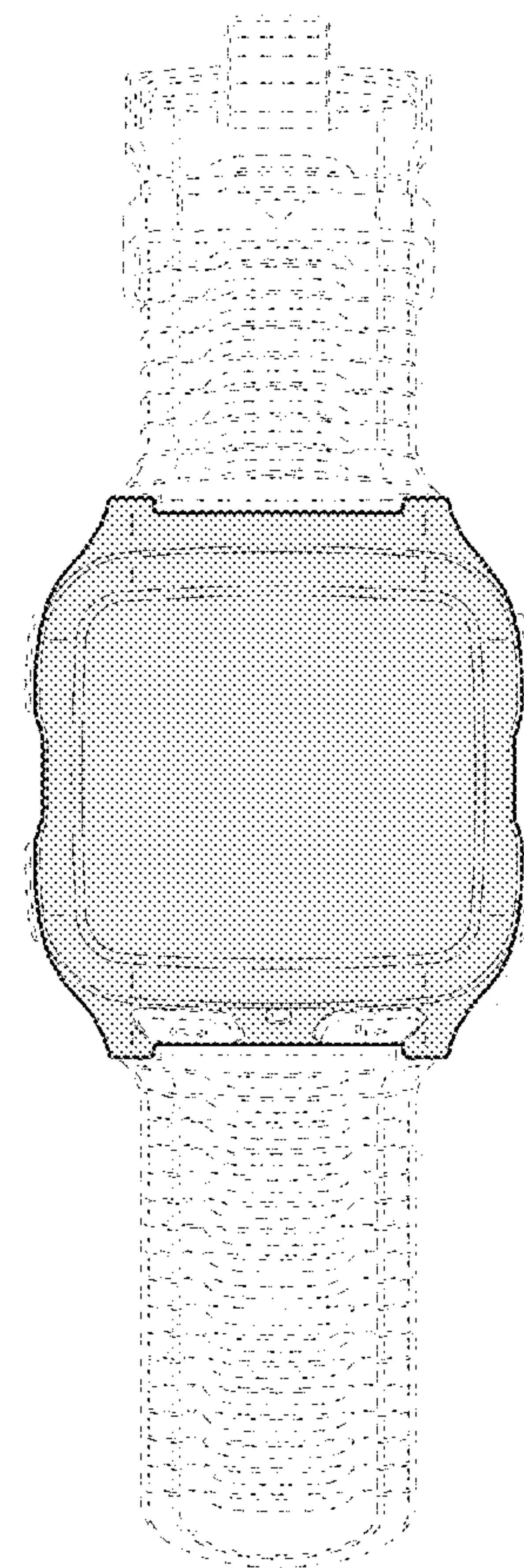
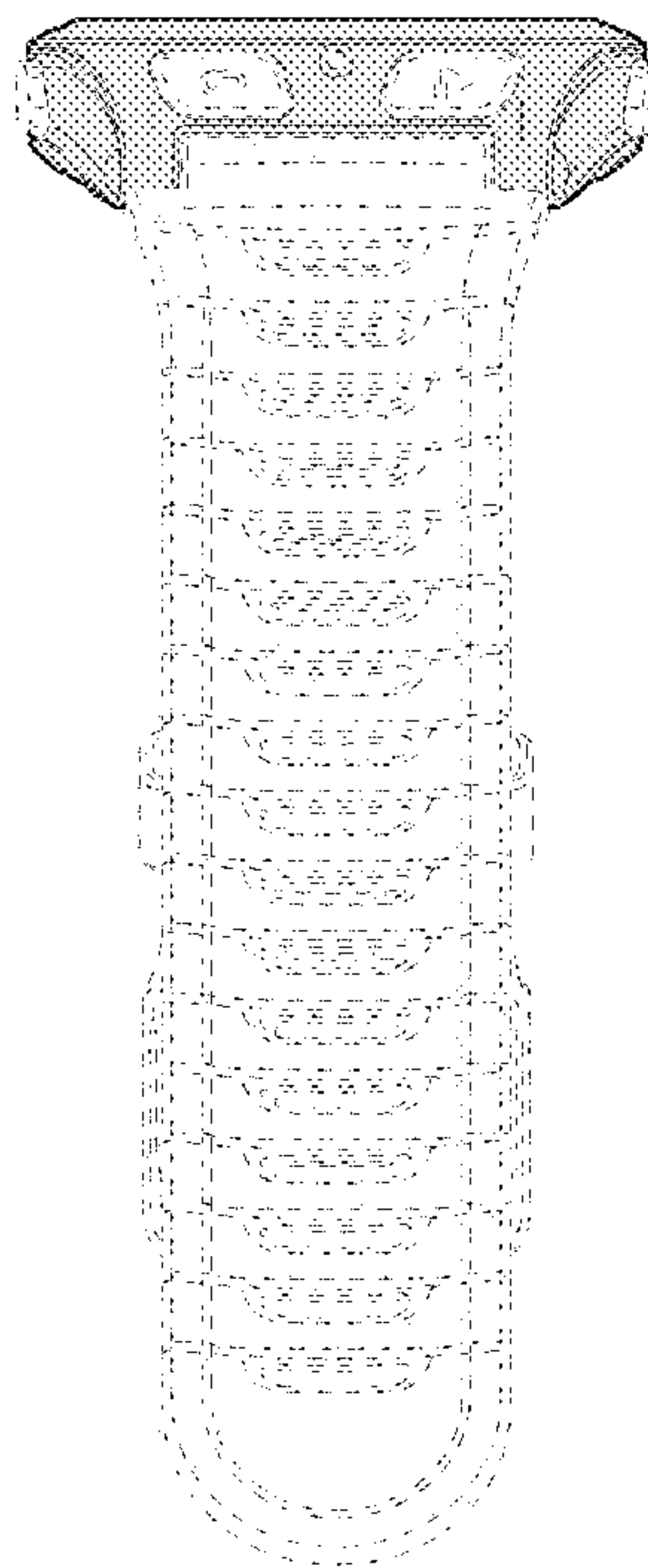


Fig. 5



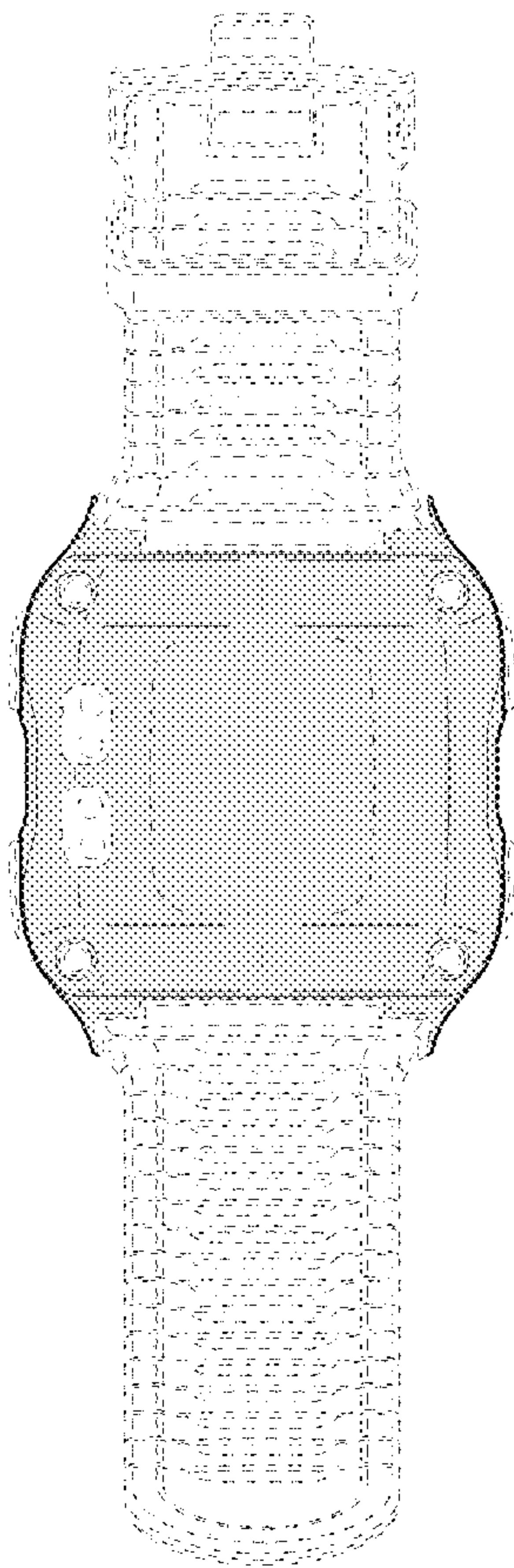


Fig. 6

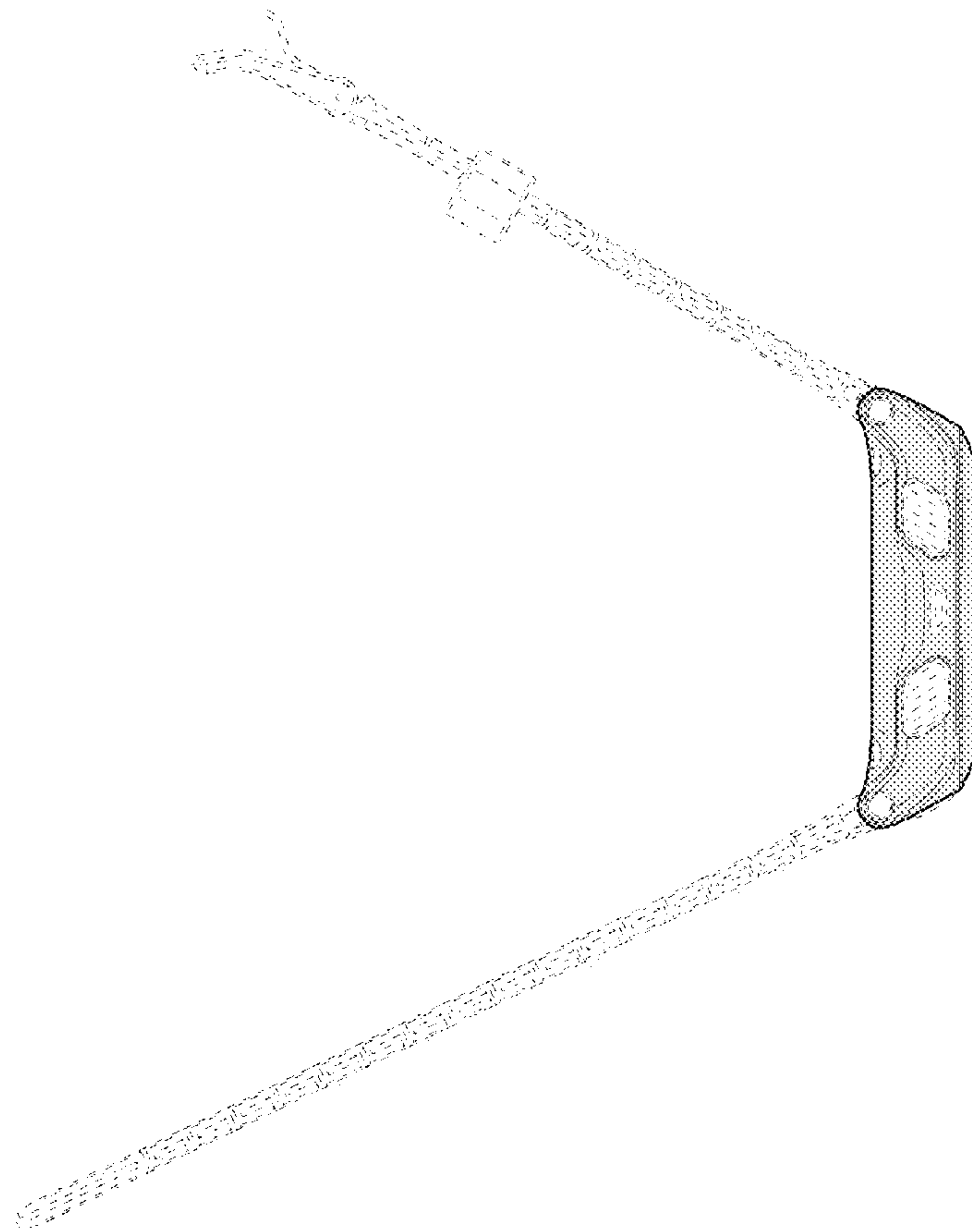


Fig. 7

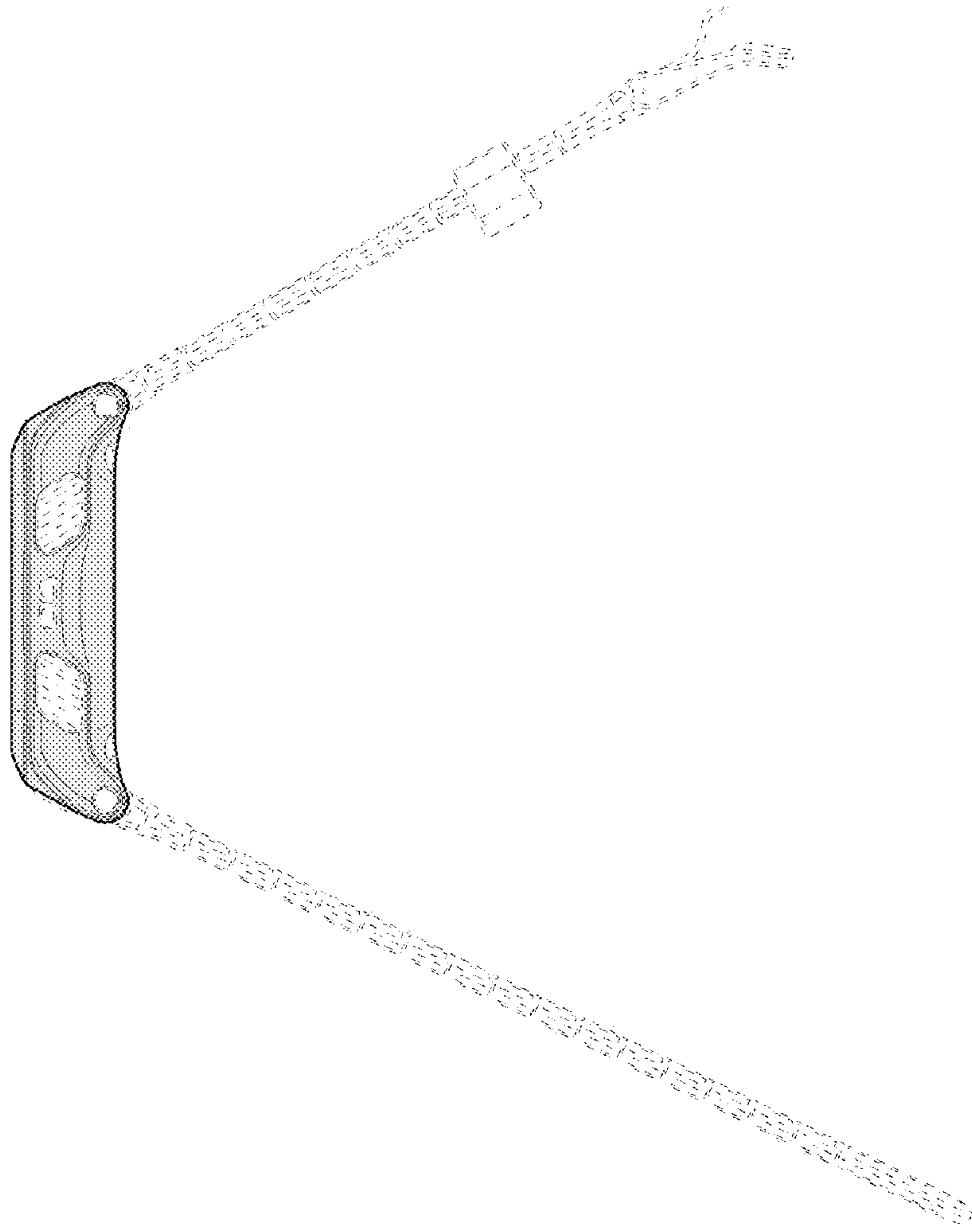


Fig. 8