



US00D742760S

(12) **United States Design Patent**  
**Garavaglia et al.**

(10) **Patent No.:** **US D742,760 S**

(45) **Date of Patent:** **\*\* Nov. 10, 2015**

- (54) **POCKET BLADE DISPENSER**
- (71) Applicant: **Pacific Handy Cutter, Inc.**, Irvine, CA (US)
- (72) Inventors: **Joseph P. Garavaglia**, Newport Beach, CA (US); **Brandon L. Spoelstra**, Costa Mesa, CA (US); **Markus Gropl**, Huntington Beach, CA (US)
- (73) Assignee: **PACIFIC HANDY CUTTER, INC.**, Irvine, CA (US)
- (\*\*) Term: **14 Years**
- (21) Appl. No.: **29/450,242**
- (22) Filed: **Mar. 15, 2013**
- (51) **LOC (10) Cl.** ..... **09-01**
- (52) **U.S. Cl.**  
USPC ..... **D9/735; D8/71**
- (58) **Field of Classification Search**  
USPC ..... **D8/98, 71; D6/526; D9/735**  
See application file for complete search history.

5,251,783	A *	10/1993	Gringer	.....	221/102
D403,954	S *	1/1999	Okada et al.	.....	D9/735
D462,861	S *	9/2002	Schmidt	.....	D6/526
6,598,761	B1 *	7/2003	Chou	.....	221/228
D536,624	S *	2/2007	Novak et al.	.....	D9/735
D595,152	S *	6/2009	van Deursen	.....	D9/735
D624,833	S *	10/2010	van Deursen	.....	D9/735

\* cited by examiner

*Primary Examiner* — Phillip S Hyder

(74) *Attorney, Agent, or Firm* — Henricks, Slavin & Holmes LLP

(57) **CLAIM**

The ornamental design for a pocket blade dispenser, as shown and described.

**DESCRIPTION**

This application is related to U.S. patent application Ser. No. 13/843,609, entitled "Pocket Blade Dispenser" filed herewith.

FIG. 1 is a perspective view of a pocket blade dispenser showing our new design;  
FIG. 2 is a left side view thereof;  
FIG. 3 is a top view thereof;  
FIG. 4 is a bottom view thereof;  
FIG. 5 is a right side view thereof;  
FIG. 6 is a front view thereof; and,  
FIG. 7 is a rear view thereof.

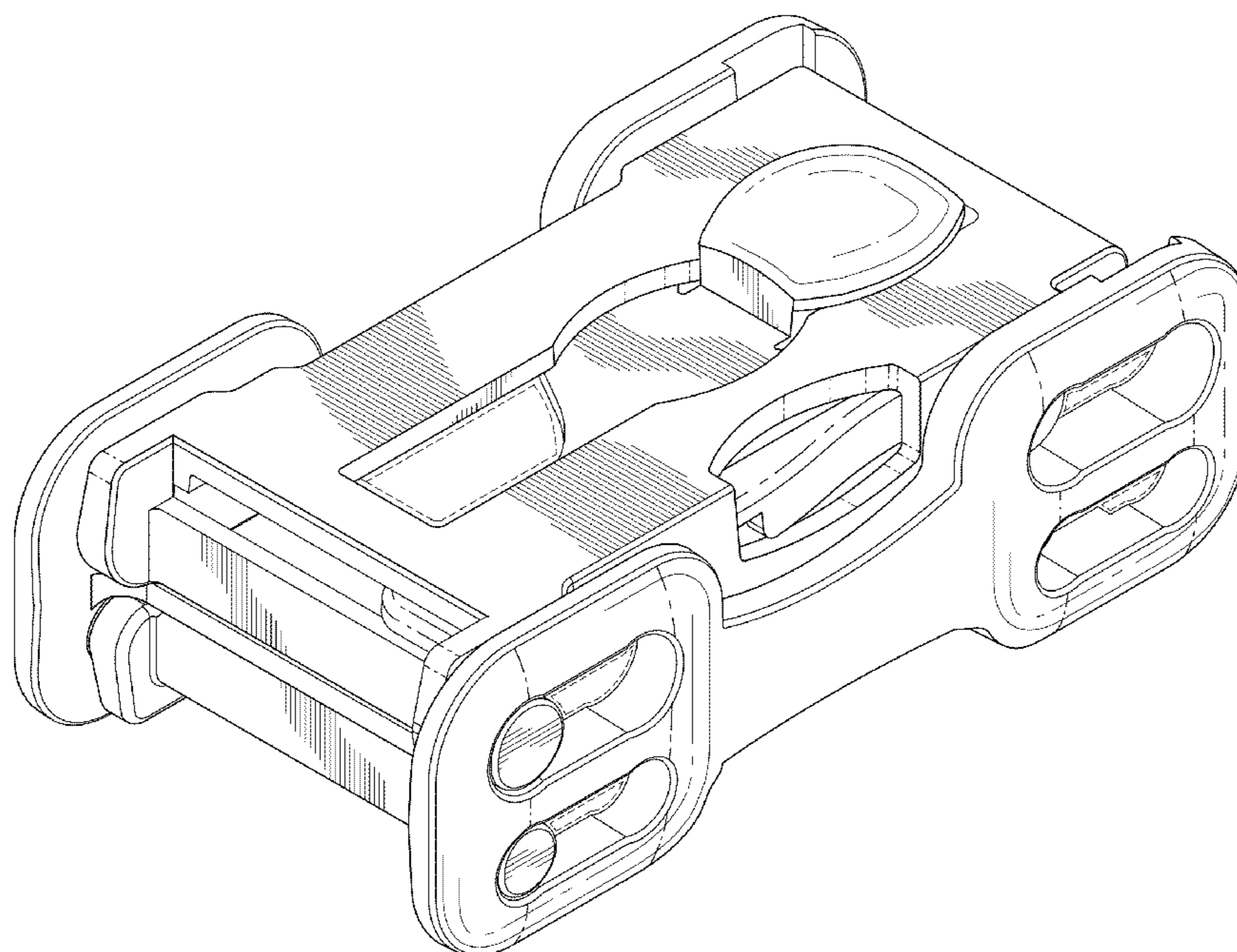
The broken lines depict portions of the pocket blade dispenser in which the design is embodied that are not considered part of the claimed design.

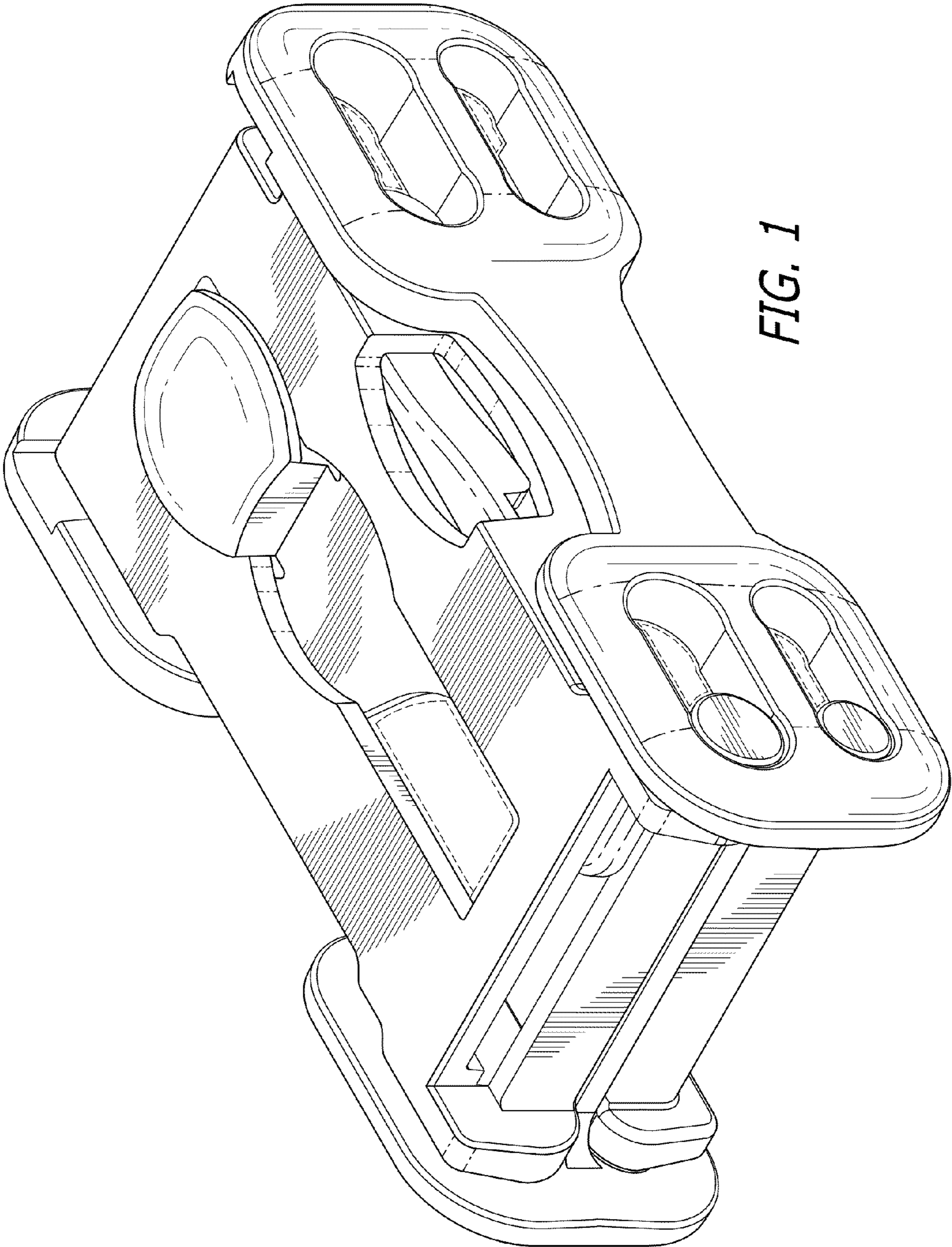
**1 Claim, 6 Drawing Sheets**

(56) **References Cited**

**U.S. PATENT DOCUMENTS**

2,611,176	A *	9/1952	Testi	.....	30/40.2
3,502,203	A *	3/1970	Braginetz	.....	206/358
3,774,805	A *	11/1973	Baker et al.	.....	221/67
D280,373	S *	9/1985	Ioakim	.....	D6/526
4,826,042	A *	5/1989	Vujovich	.....	221/228
4,972,968	A *	11/1990	Iten	.....	221/97





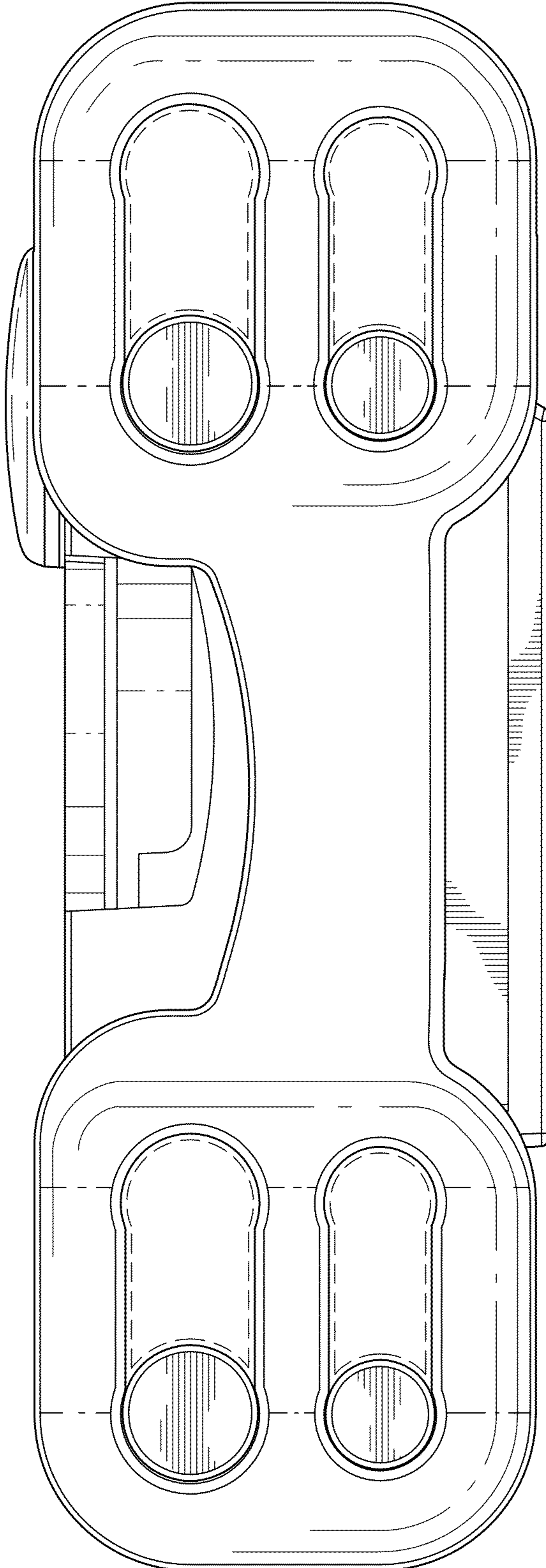


FIG. 2

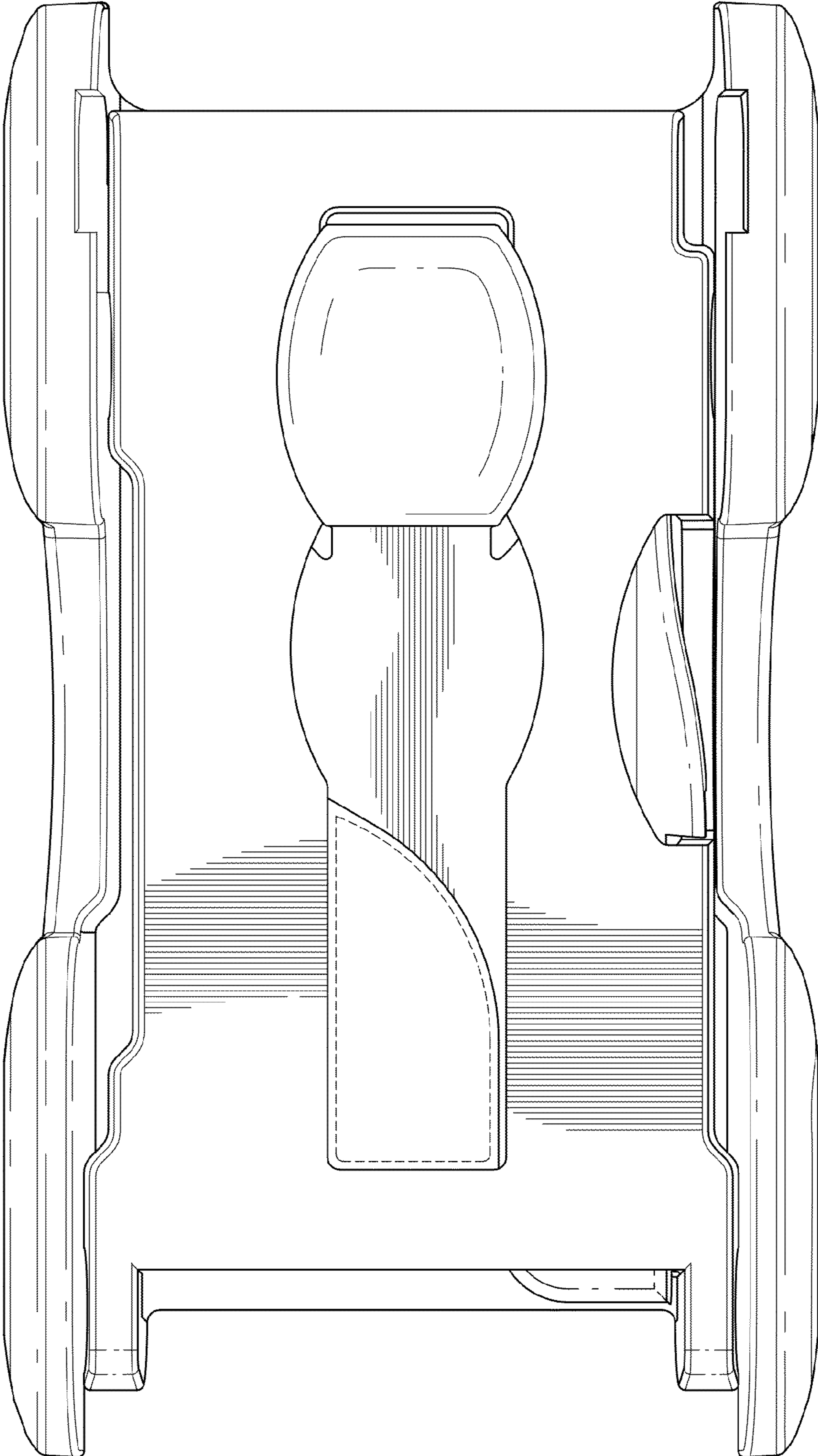


FIG. 3

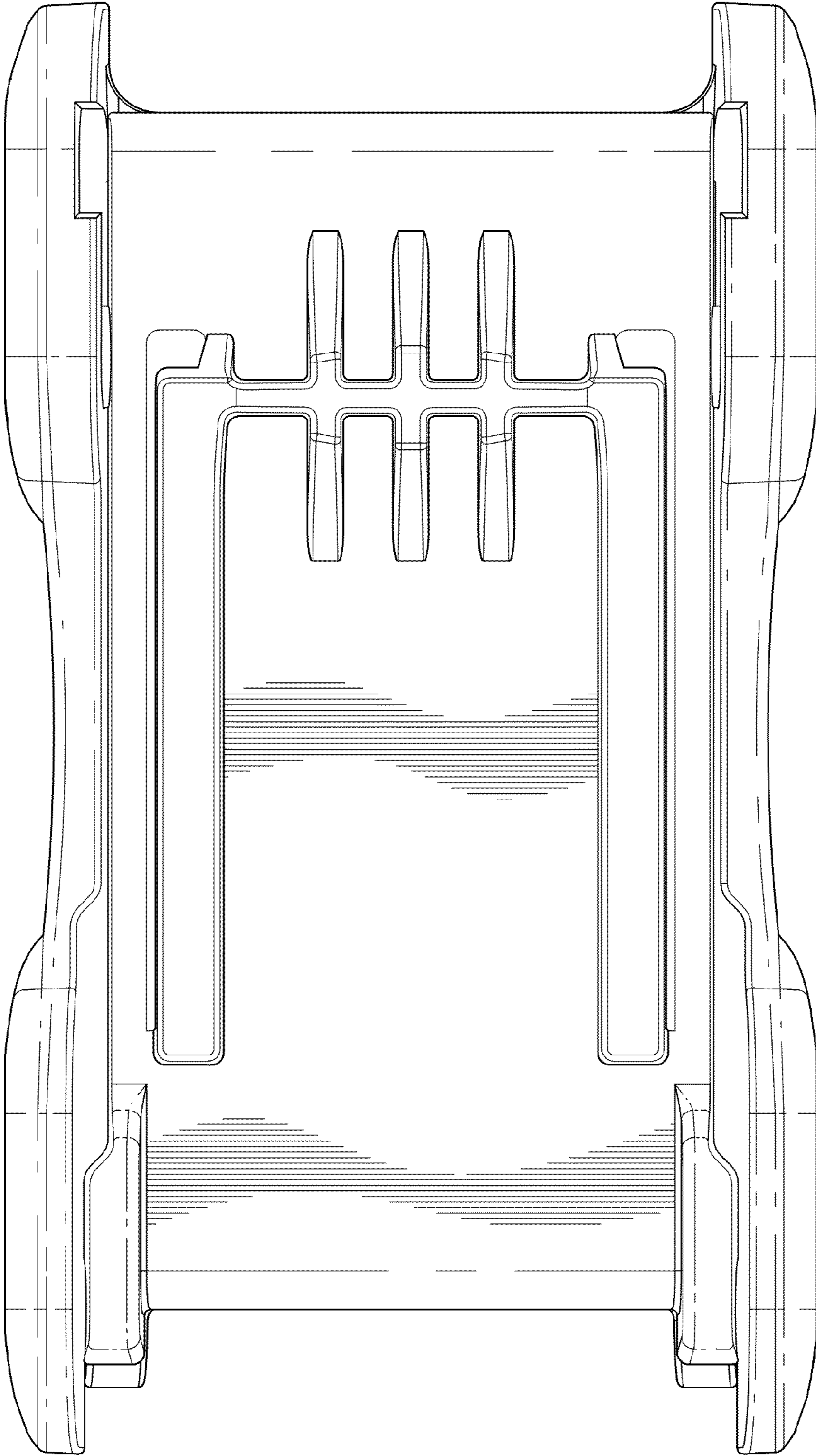


FIG. 4

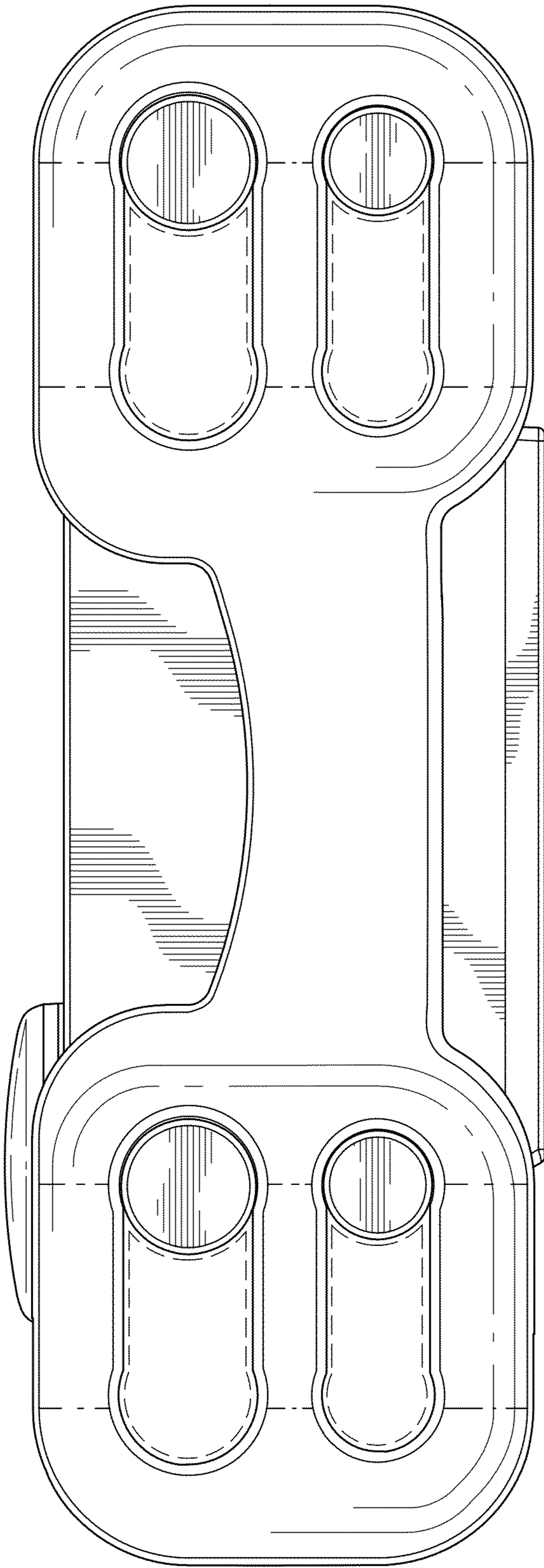
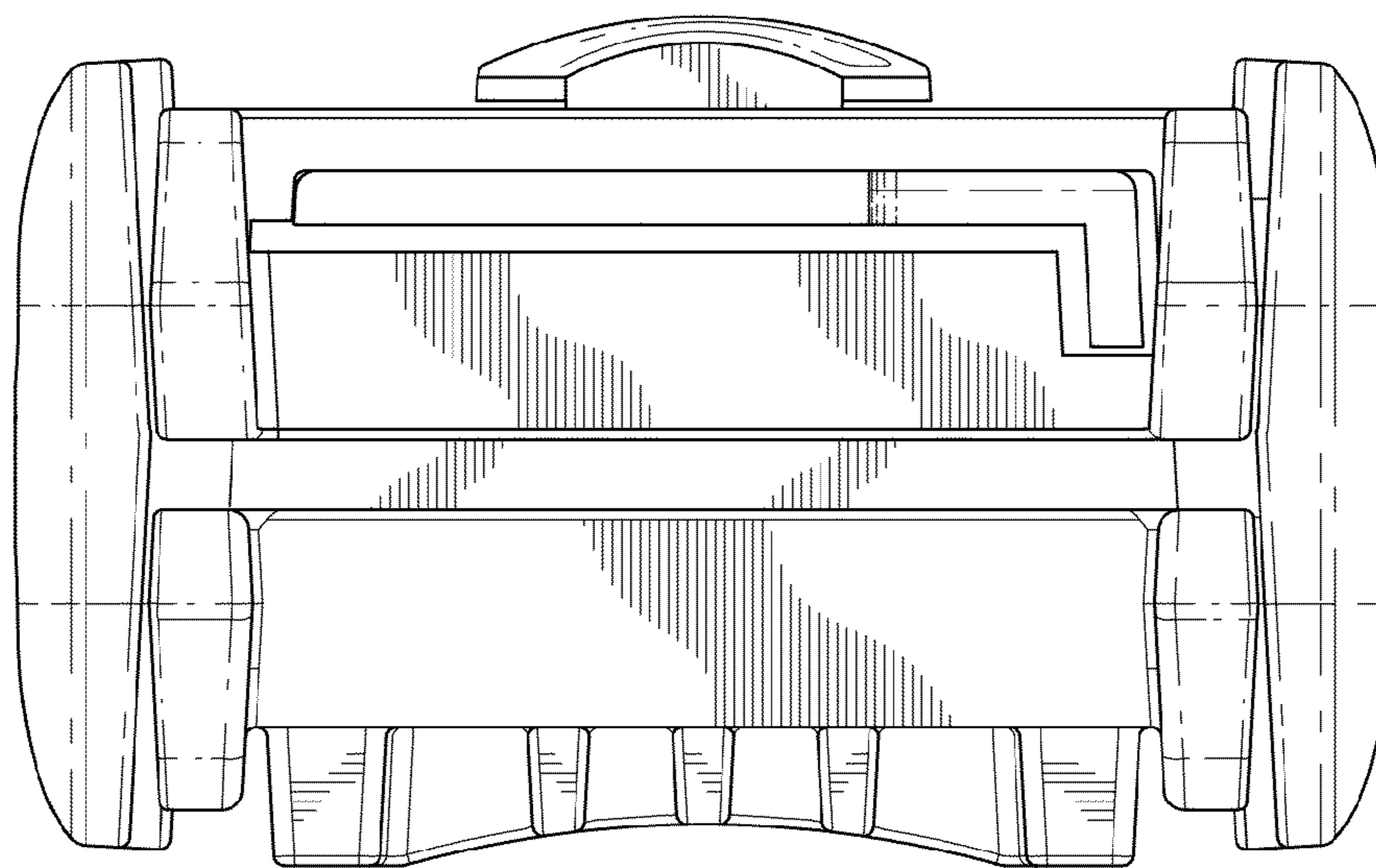
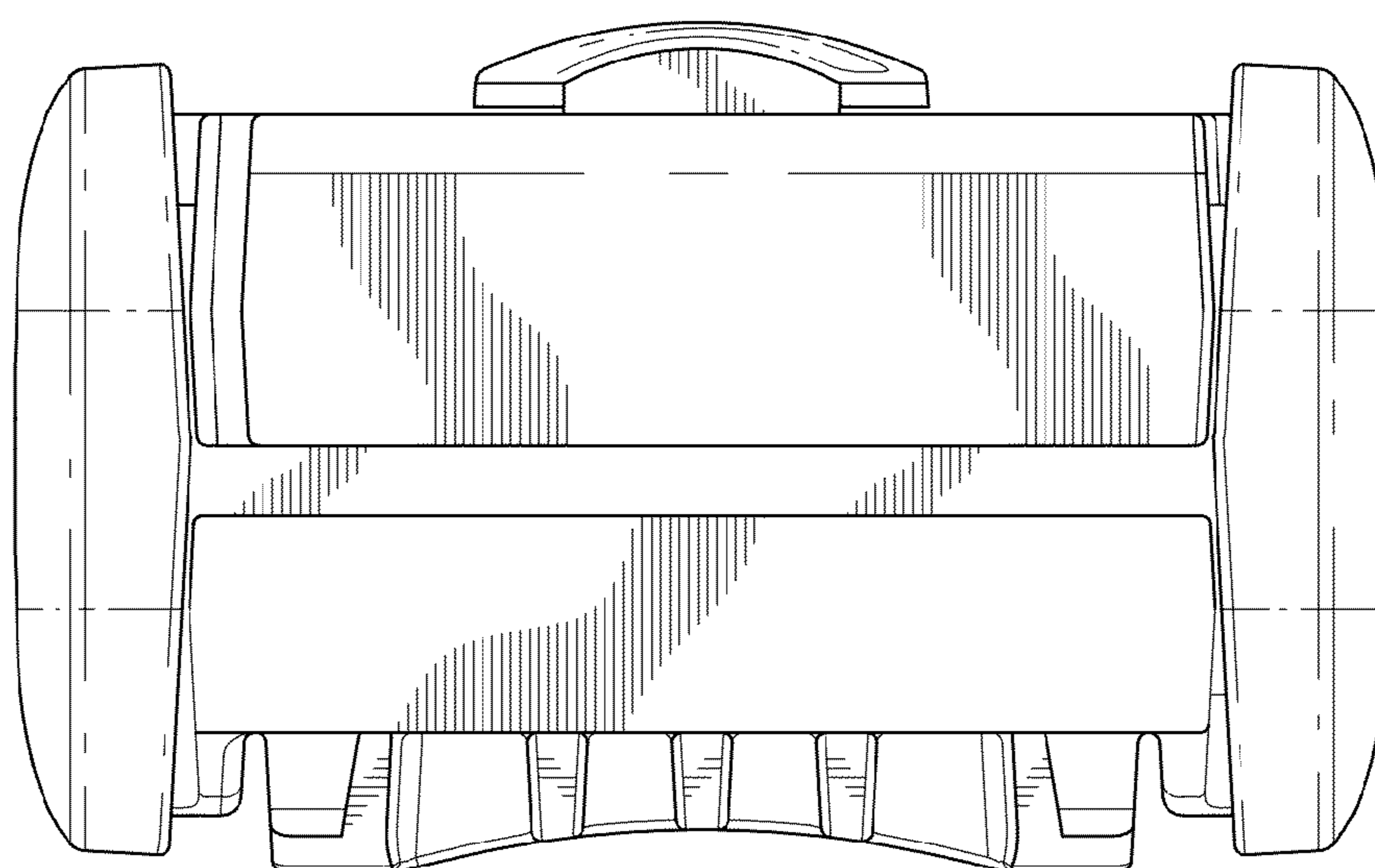


FIG. 5



*FIG. 6*



*FIG. 7*