



US00D742755S

(12) **United States Design Patent**
DeVore et al.

(10) **Patent No.:** **US D742,755 S**

(45) **Date of Patent:** **** Nov. 10, 2015**

(54) **JAR**

(71) Applicant: **Saint-Gobain Containers, Inc.**, Muncie, IN (US)

(72) Inventors: **Dale G. DeVore**, Cambridge City, IN (US); **Brett M. Beaver**, Muncie, IN (US)

(73) Assignee: **Ardagh Glass Inc.**, Muncie, IN (US)

(**) Term: **14 Years**

(21) Appl. No.: **29/465,236**

(22) Filed: **Aug. 26, 2013**

(51) **LOC (10) Cl.** **09-01**

(52) **U.S. Cl.**
USPC **D9/565; D9/575**

(58) **Field of Classification Search**
USPC D9/516, 522, 530, 541-543, 548, 565, D9/571, 575, 715, 719, 763, 766-767, D9/777-778, 781-783; D7/600-601, 612; D23/366
CPC B65D 1/00; B65D 1/02; B65D 1/0223; B65D 1/10; B65D 23/00; B65D 81/00; B65D 2501/00; B65D 2501/0009; B65D 2501/0081

See application file for complete search history.

(56) **References Cited**

U.S. PATENT DOCUMENTS

D355,605 S * 2/1995 Kudo et al. D9/522
D371,970 S * 7/1996 Desgrippes D9/573

D404,313 S * 1/1999 Arazano D9/570
D478,512 S * 8/2003 Duston et al. D9/522
D505,330 S * 5/2005 Wolpert D9/522
D519,328 S 4/2006 Witte
D541,160 S * 4/2007 Cortes D9/522
D551,982 S * 10/2007 Forman D9/529
D580,272 S * 11/2008 Weggelaar D9/542
D619,464 S * 7/2010 Langley et al. D9/522
D625,911 S * 10/2010 Lee et al. D3/203.2

* cited by examiner

Primary Examiner — Dana L Meyrow

(74) *Attorney, Agent, or Firm* — John V. Daniluck; Bingham Greenebaum Doll LLP

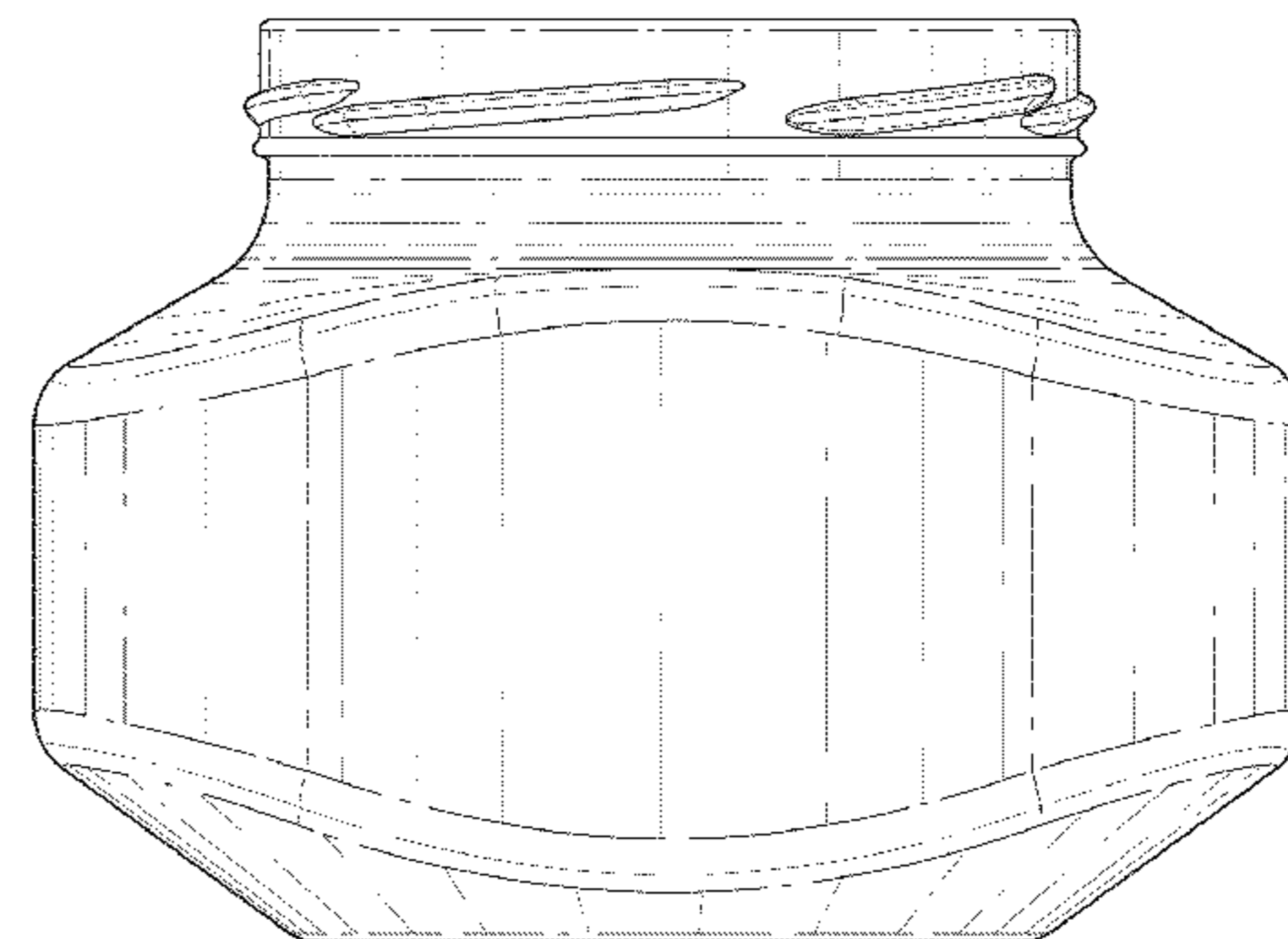
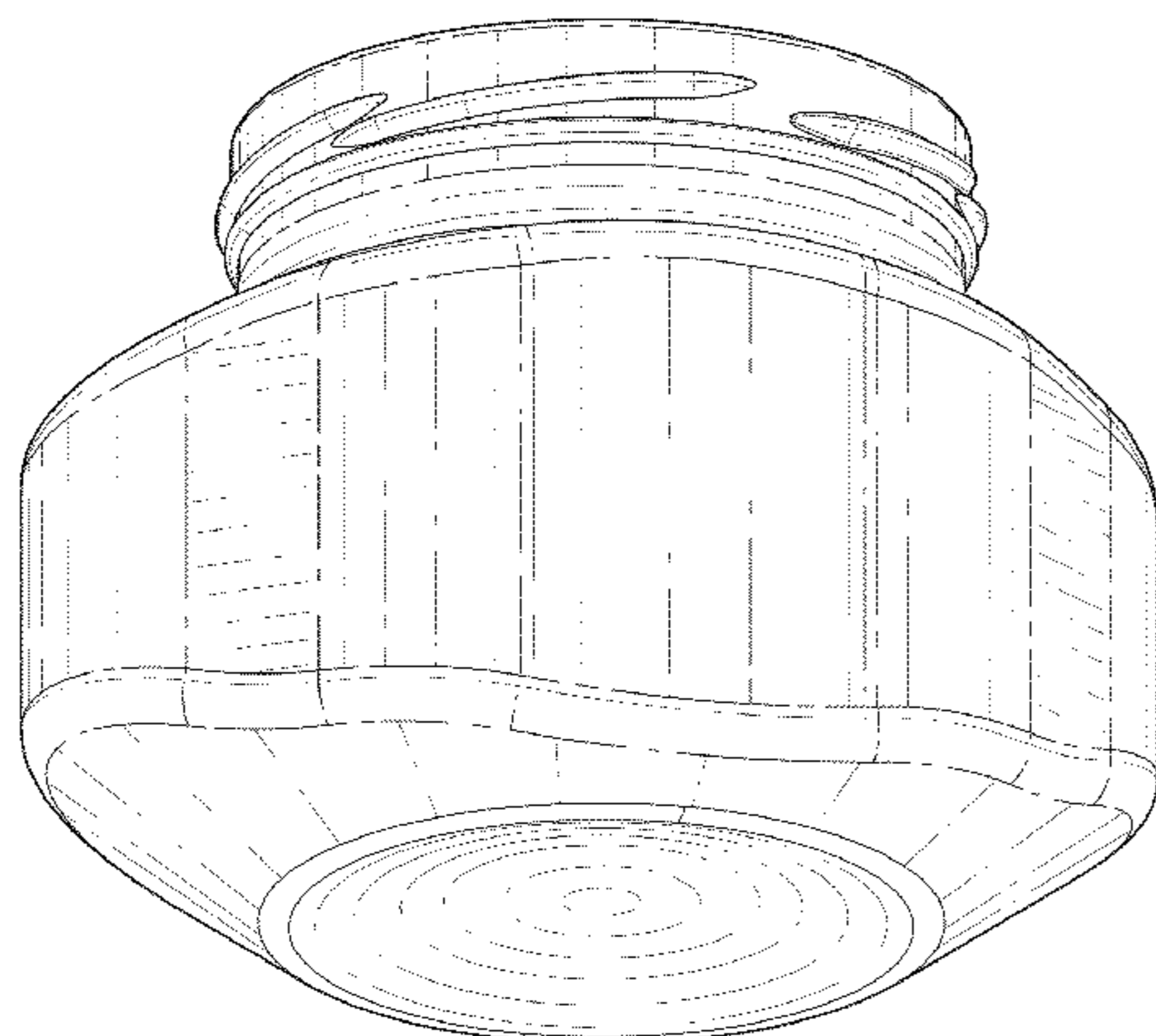
(57) **CLAIM**

The ornamental design for a jar, as shown and described.

DESCRIPTION

FIG. 1 is a top, front, left side perspective view of a jar showing our new design;
FIG. 2 is a bottom, rear, left side perspective view of the jar of FIG. 1;
FIG. 3 is a front elevational view of the jar of FIG. 1;
FIG. 4 is a left side elevational view of the jar of FIG. 1;
FIG. 5 is a right side elevational view of the jar of FIG. 1;
FIG. 6 is a rear elevational view of the jar of FIG. 1;
FIG. 7 is a top plan view of the jar of FIG. 1; and,
FIG. 8 is a bottom plan view of the jar of FIG. 1.
The dot-dot-dash broken lines in FIGS. 1 and 7 define the bounds of the claim and form no part thereof.

1 Claim, 5 Drawing Sheets



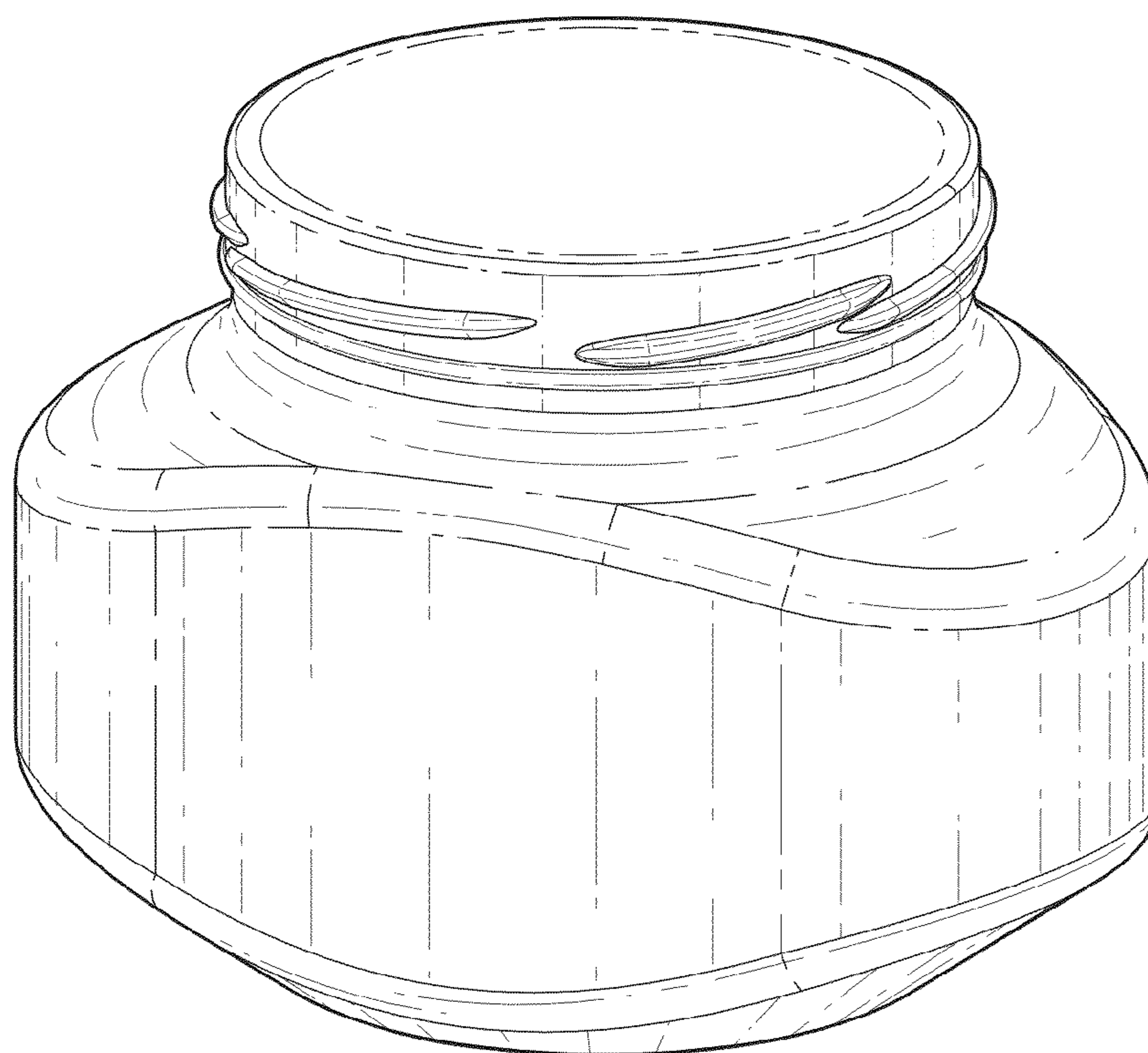


Fig. 1

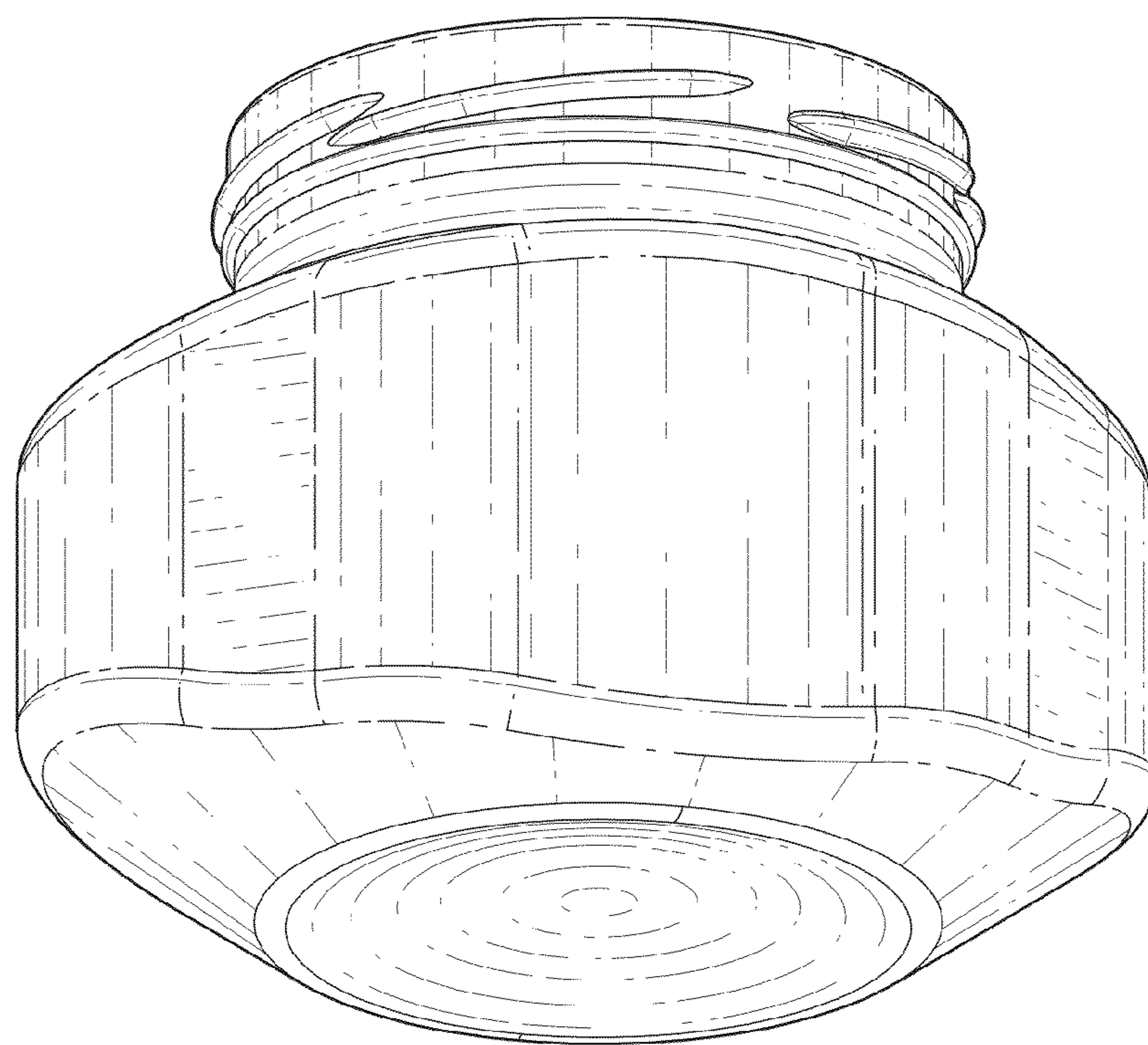


Fig. 2

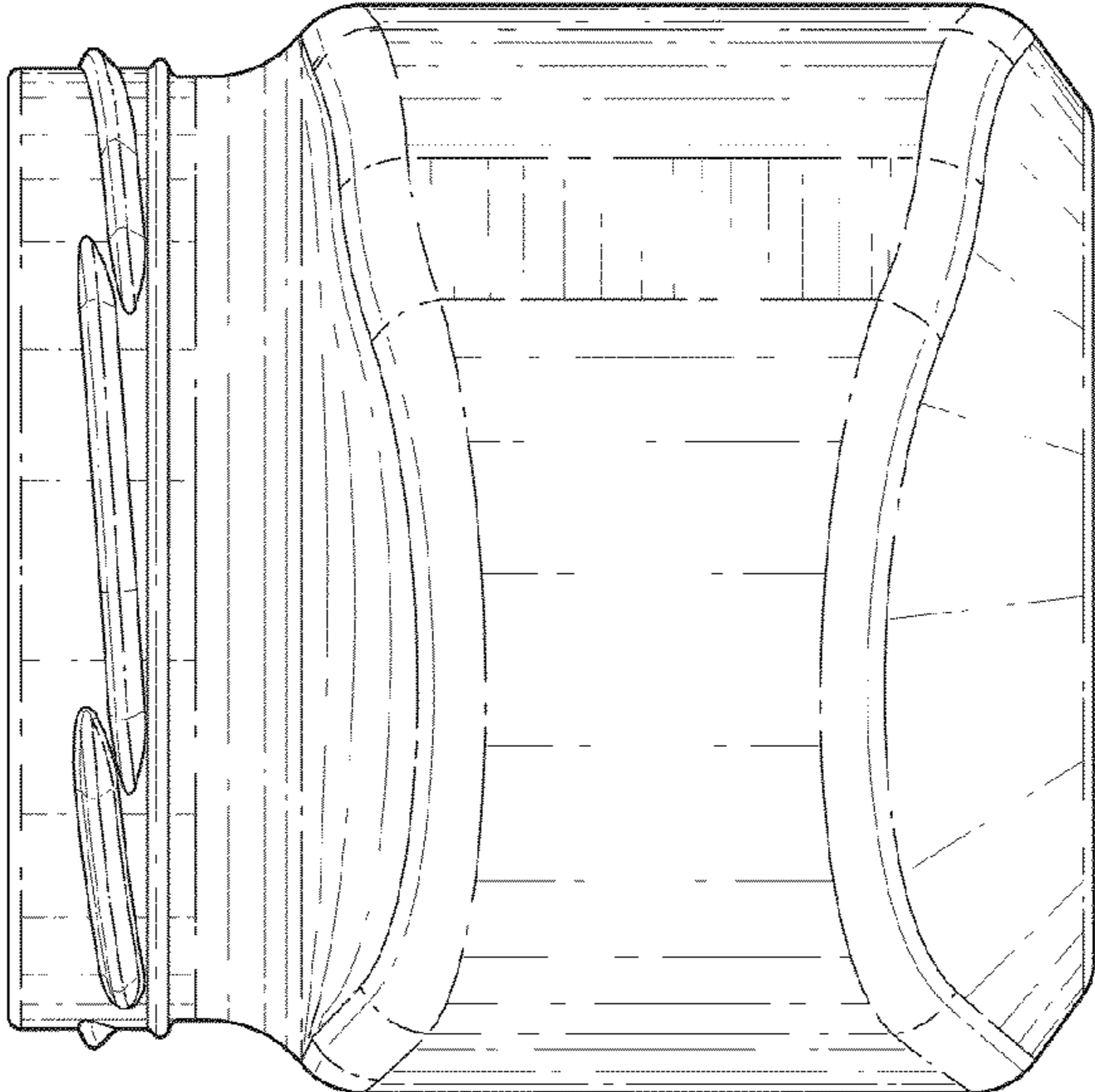


Fig. 3

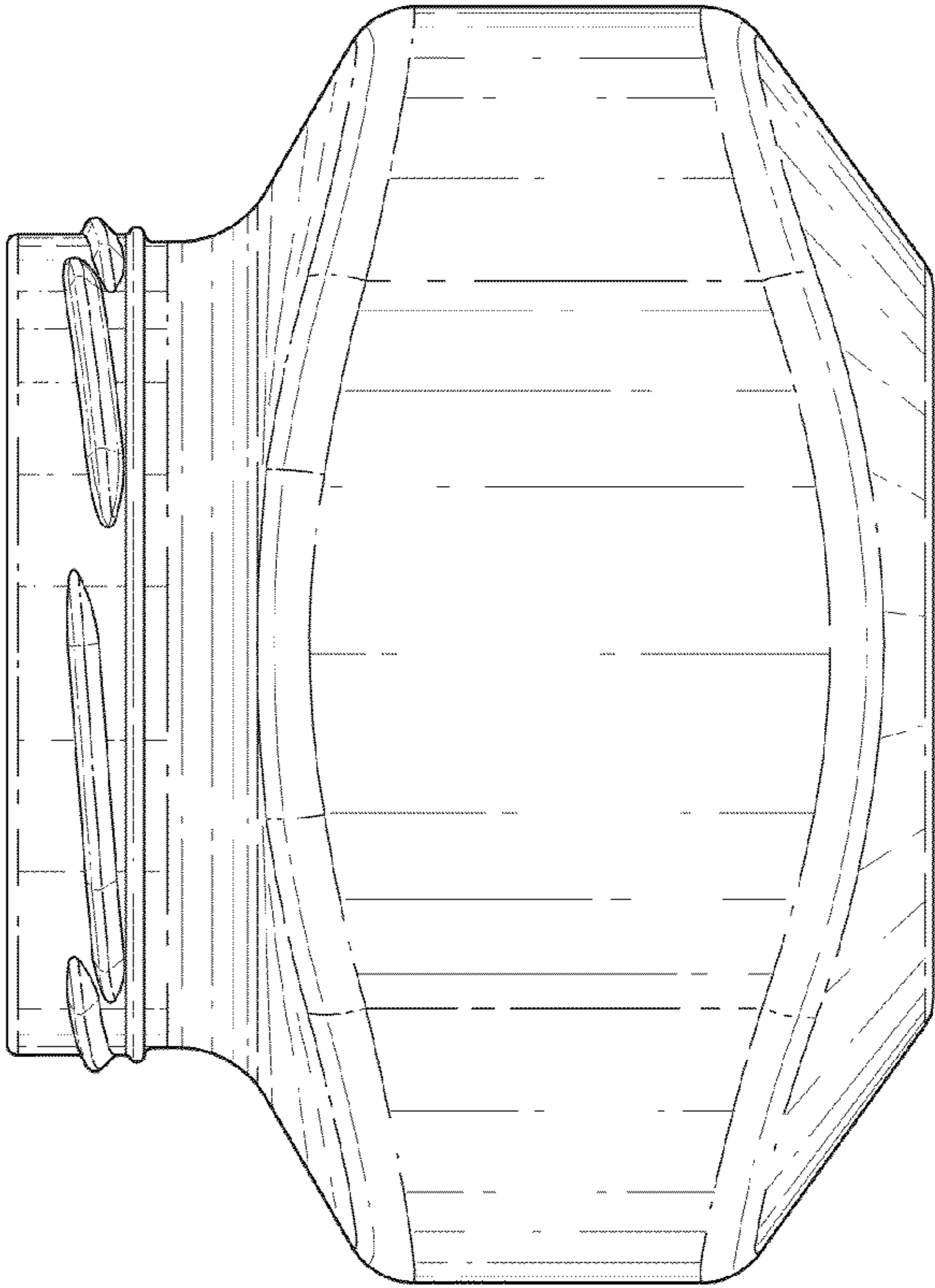


Fig. 4

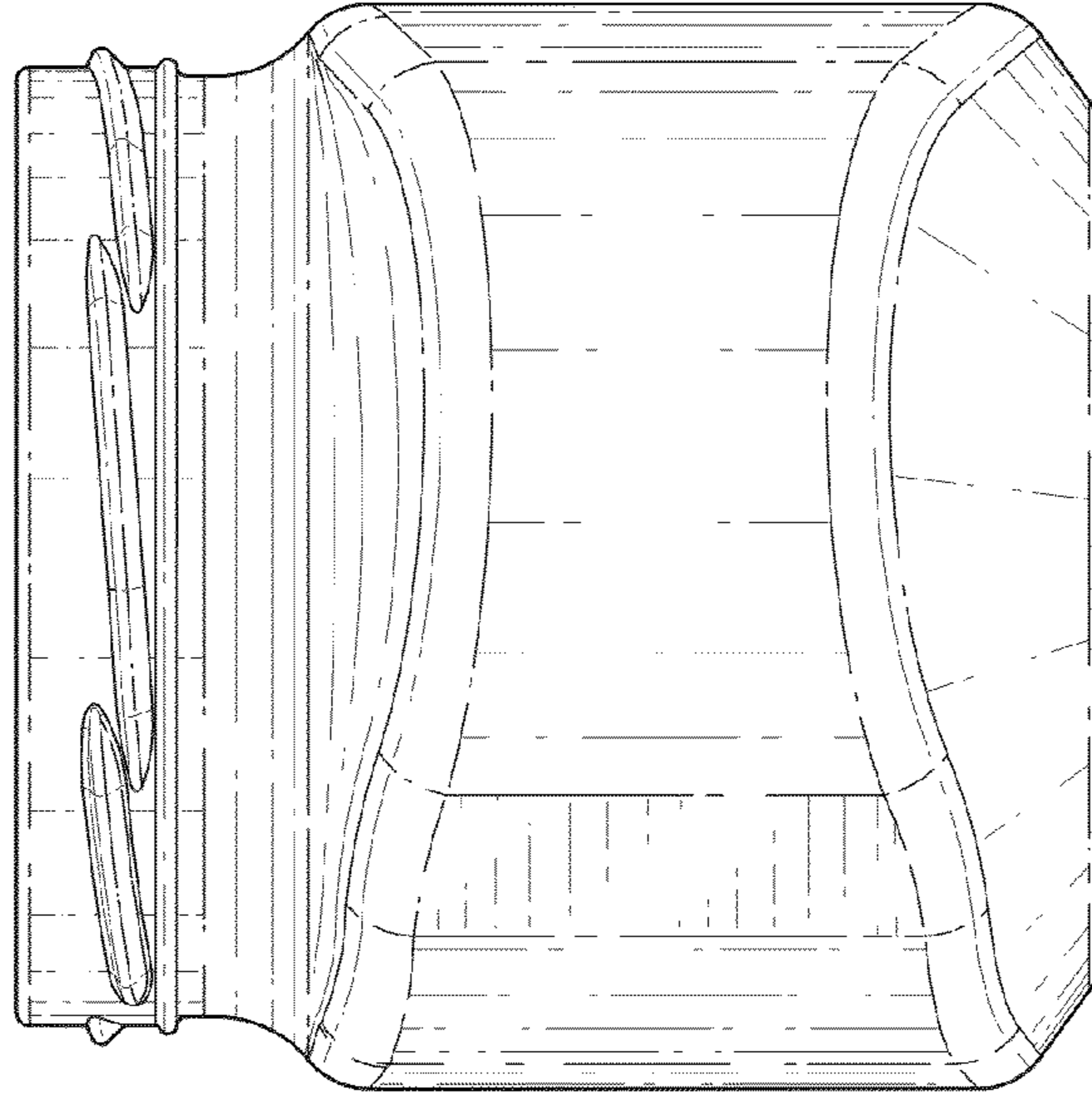


Fig. 5

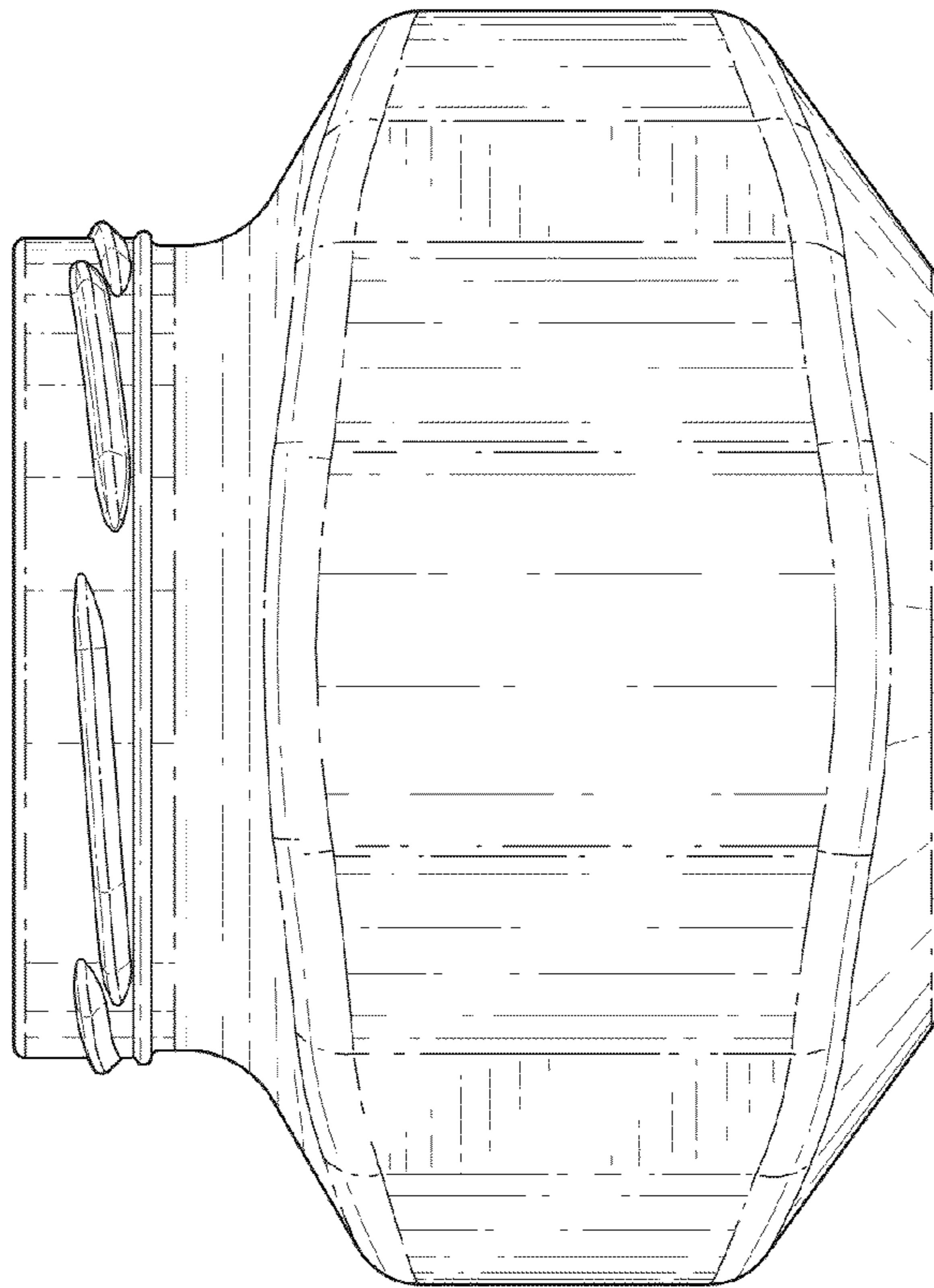


Fig. 6

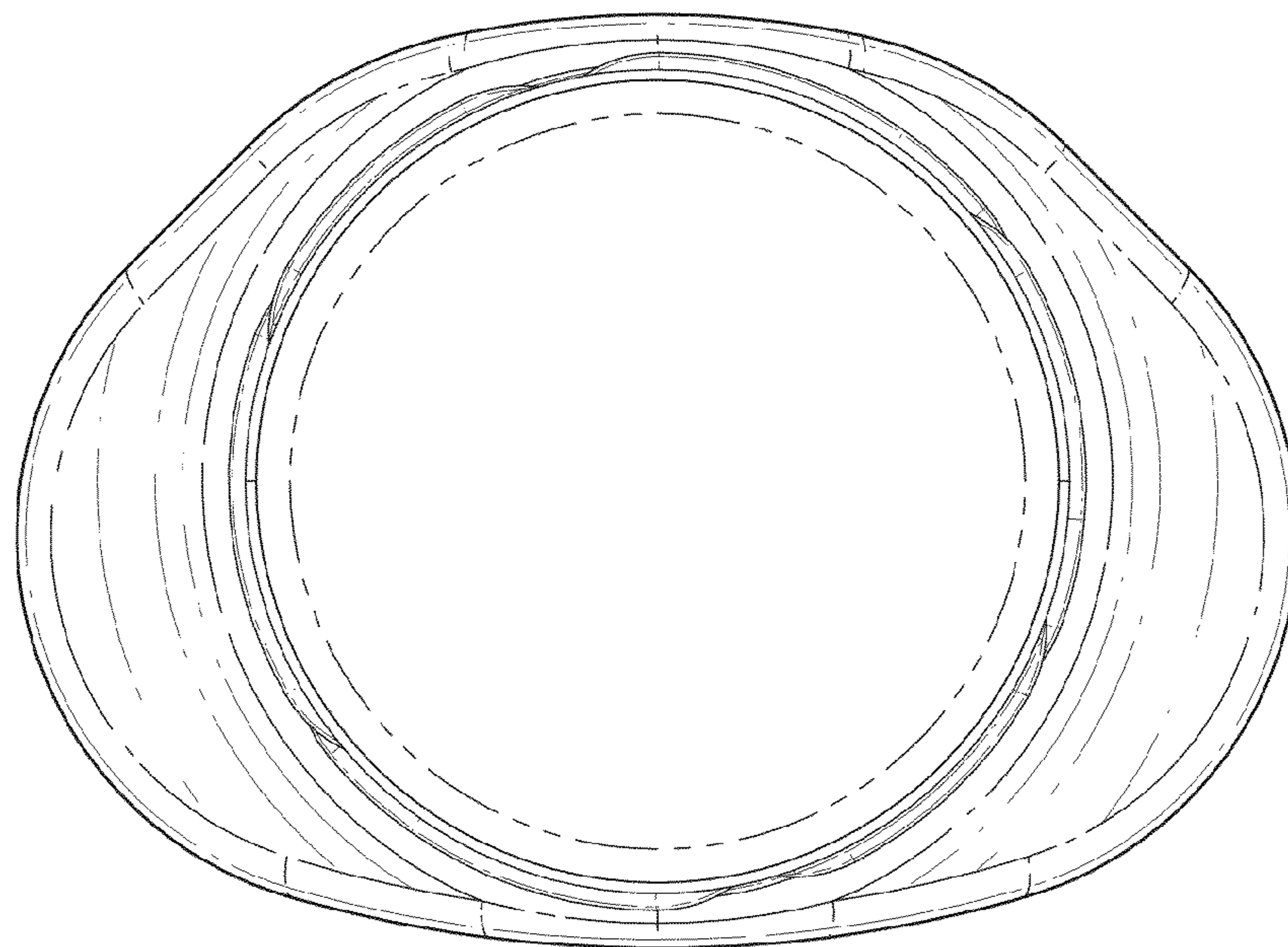


Fig. 7

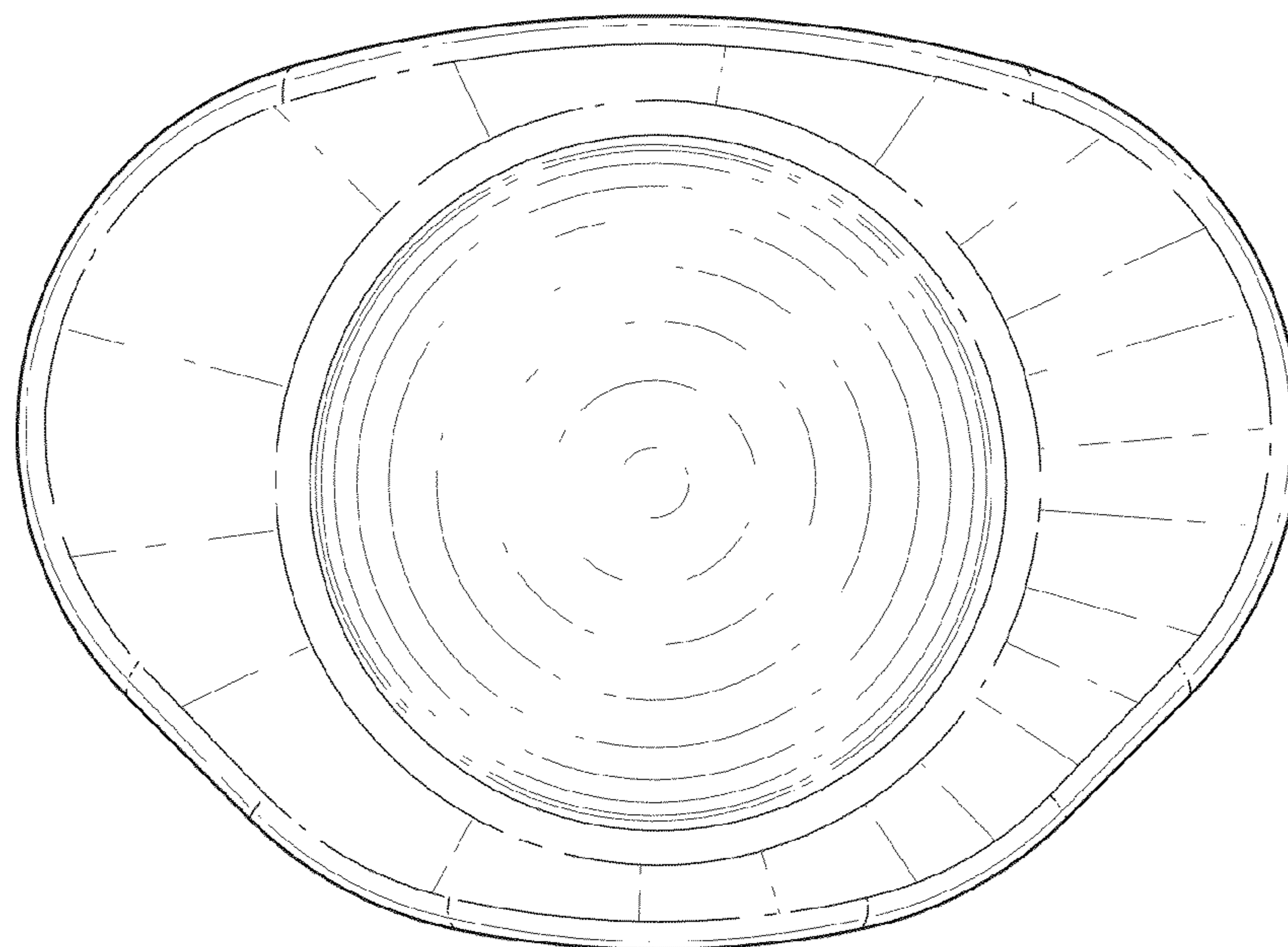


Fig. 8