



US00D742754S

(12) **United States Design Patent**  
**Roth et al.**

(10) **Patent No.:** **US D742,754 S**

(45) **Date of Patent:** **\*\* Nov. 10, 2015**

(54) **RESEALABLE CONTAINER**

(71) Applicant: **Cool Gear International, LLC**,  
Plymouth, MA (US)

(72) Inventors: **Donna Roth**, Duxbury, MA (US);  
**Henry Roth**, Plymouth, MA (US); **John D. Mason**, Brockton, MA (US)

(73) Assignee: **Cool Gear Interntaional, LLC**,  
Plymouth, MA (US)

(\*\*) Term: **14 Years**

(21) Appl. No.: **29/490,812**

(22) Filed: **May 13, 2014**

(51) **LOC (10) CI.** ..... **09-01**

(52) **U.S. CI.**  
USPC ..... **D9/560; D9/545; D9/544; D7/608**

(58) **Field of Classification Search**  
USPC ..... D7/509, 510, 511, 529, 300, 602, 619.1,  
D7/624.3, 391, 392, 392.1, 608; D9/500,  
D9/501-505, 530, 539, 540-542, 545, 560,  
D9/562, 552, 565, 566, 567, 572, 573, 574,  
D9/435, 436, 439, 438, 440, 444, 434, 546,  
D9/557, 529, 518, 449, 516, 544; D3/202;  
215/216, 379, 381, 382, 383, 384, 385;  
220/660, 669, 670, 703, 901; 355/200,  
355/245; D18/40, 43; D16/246; 206/446,  
206/474; D28/82, 88  
CPC ..... A47G 19/22; A45F 3/16; B65D 1/0223;  
B65D 1/02; B65D 1/00  
See application file for complete search history.

(56) **References Cited**

**U.S. PATENT DOCUMENTS**

D39,215 S \* 3/1908 Garrett ..... D9/560  
1,408,757 A \* 3/1922 Metzger ..... 206/524.3  
D606,409 S \* 12/2009 Rica ..... D9/516

D687,309 S \* 8/2013 Lemaitre ..... D9/559  
D701,771 S \* 4/2014 Hall ..... D9/602  
2005/0077322 A1 \* 4/2005 Graybill, Sr. .... 222/461

**OTHER PUBLICATIONS**

<https://web.archive.org/web/20131024204746/http://www.containerstore.com/shop/kitchen/foodStorage/specialty?productId=10003575> Square Hermetic Glass Bottles Oct. 24, 2013.\*

\* cited by examiner

*Primary Examiner* — Marianne Pandozzi

*Assistant Examiner* — Jae Liang

(74) *Attorney, Agent, or Firm* — Mintz Levin Cohn Ferris Glovsky and Popeo, P.C.; Steve Jensen; Richard B. Emmons

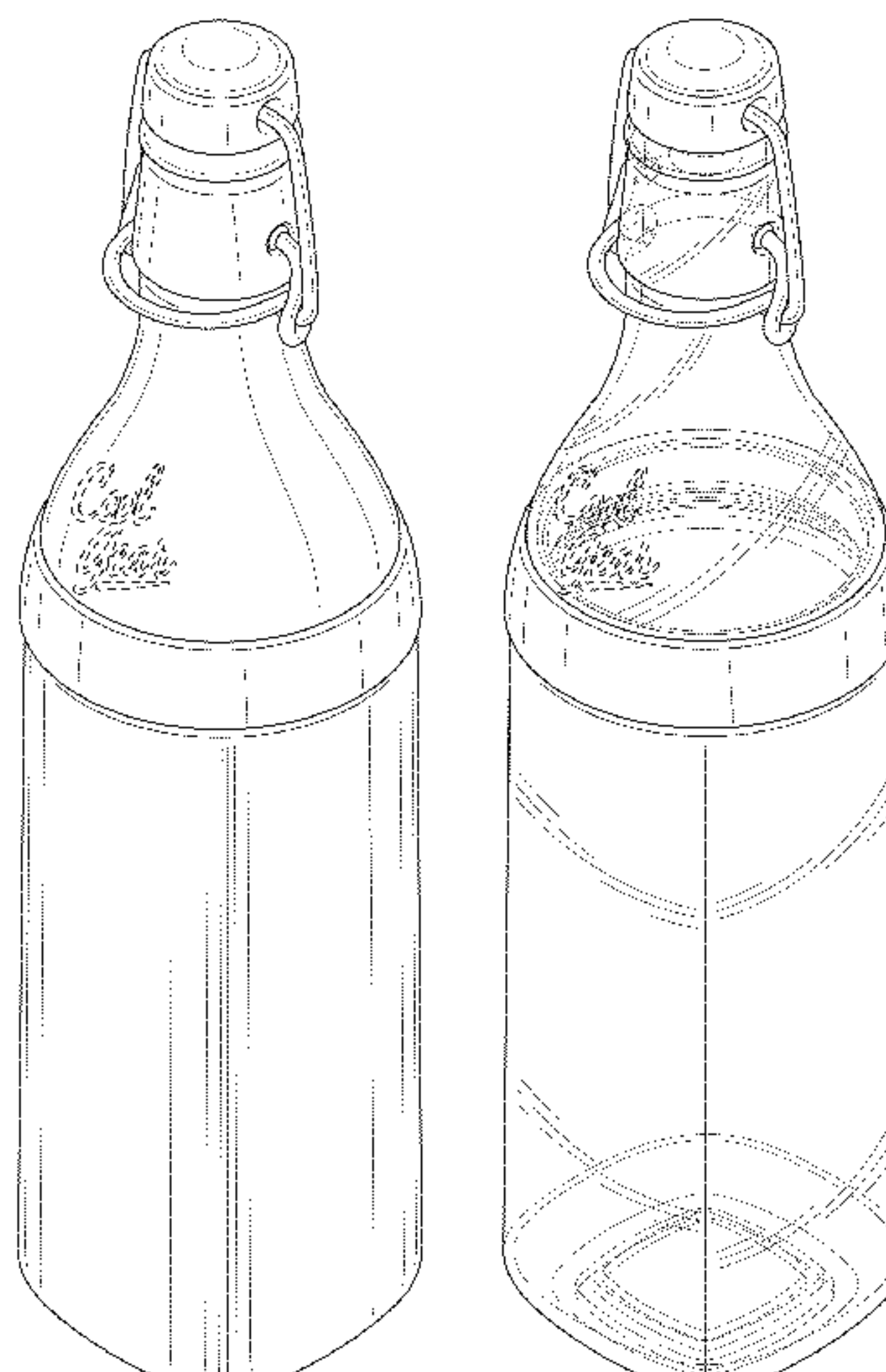
(57) **CLAIM**

The ornamental design for a resealable container, as shown and described.

**DESCRIPTION**

FIG. 1 is a perspective view of the top, front, and right side of the first embodiment of a resealable container;  
FIG. 2 is a front view thereof;  
FIG. 3 is a back view thereof;  
FIG. 4 is a left view thereof;  
FIG. 5 is a right view thereof;  
FIG. 6 is a top view thereof;  
FIG. 7 is a bottom view thereof;  
FIG. 8 is a perspective view of the top, front, and right side of the second embodiment of a resealable container;  
FIG. 9 is a front view thereof;  
FIG. 10 is a back view thereof;  
FIG. 11 is a left view thereof;  
FIG. 12 is a right view thereof;  
FIG. 13 is a top view thereof; and,  
FIG. 14 is a bottom view thereof.  
The broken line showing in the figure drawings are included for the purpose of illustration and form no part of the claimed design.

**1 Claim, 12 Drawing Sheets**



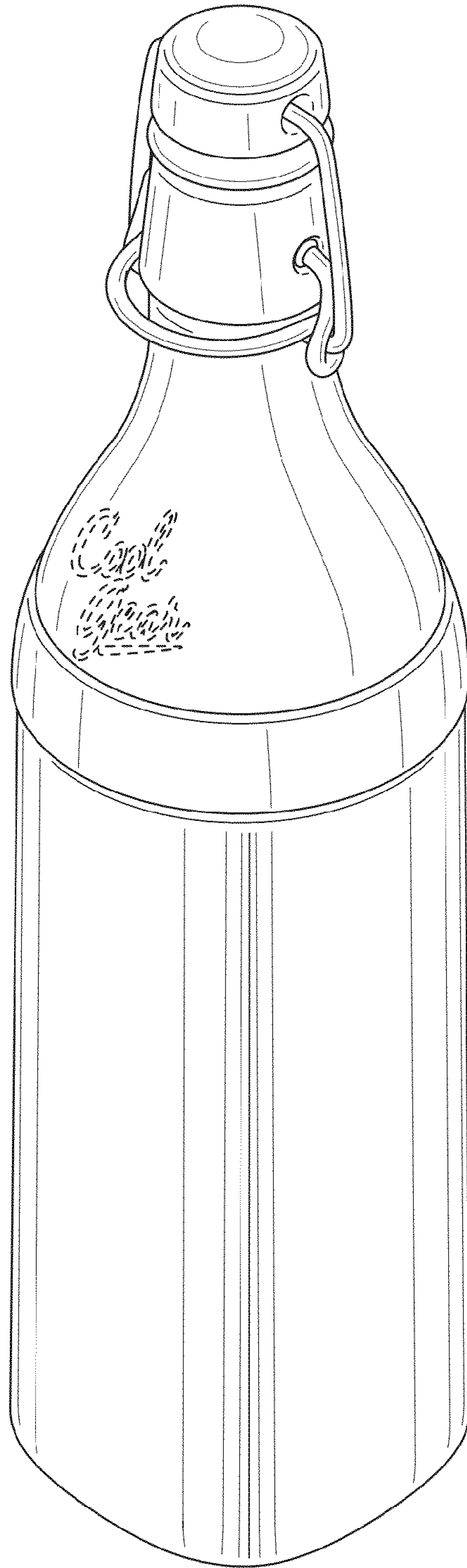


FIG. 1

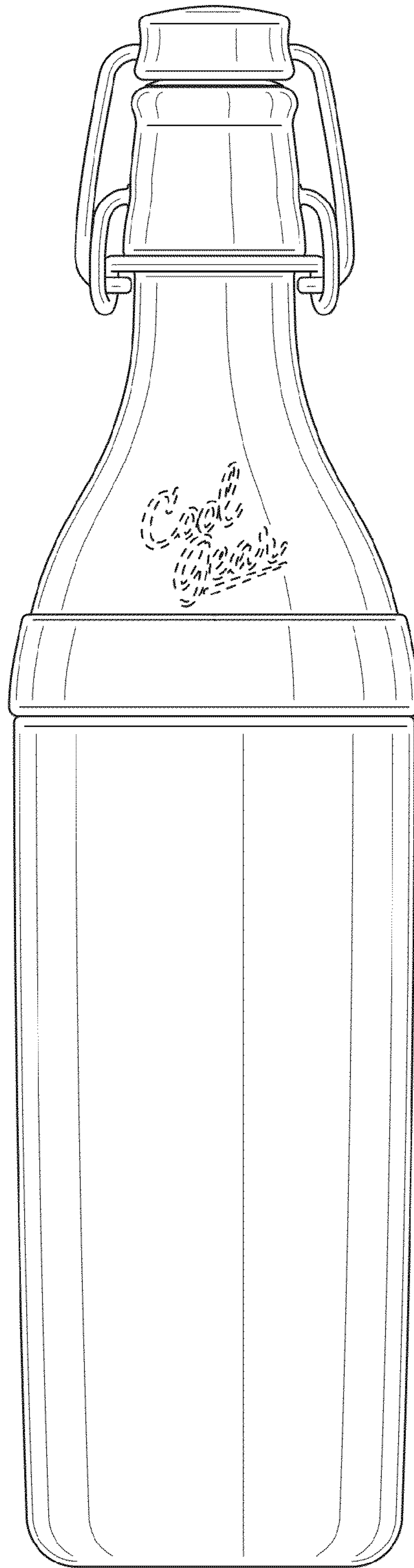


FIG. 2

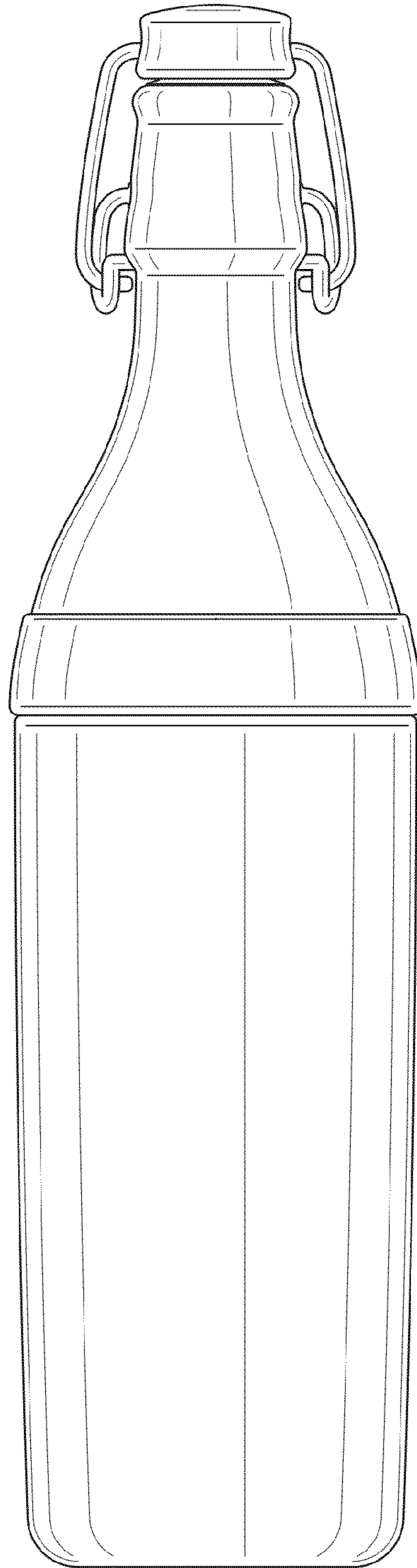


FIG. 3

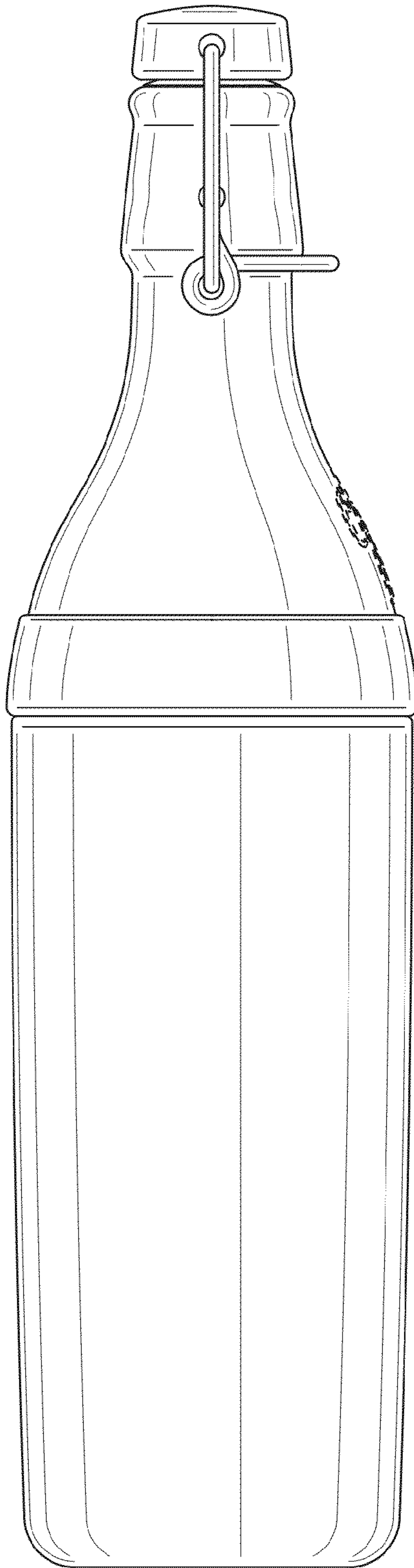


FIG. 4



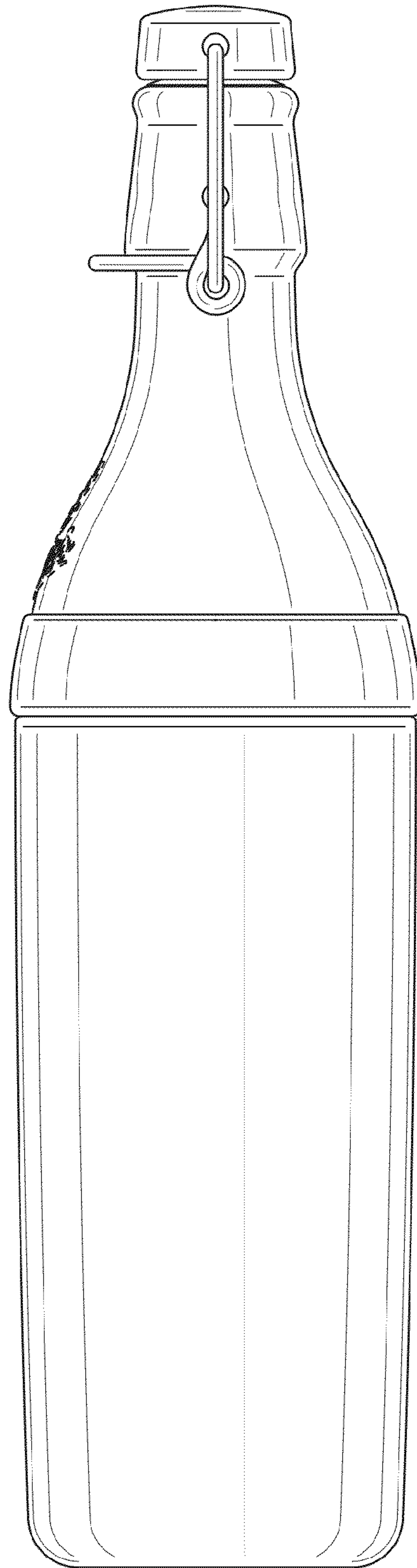


FIG. 5

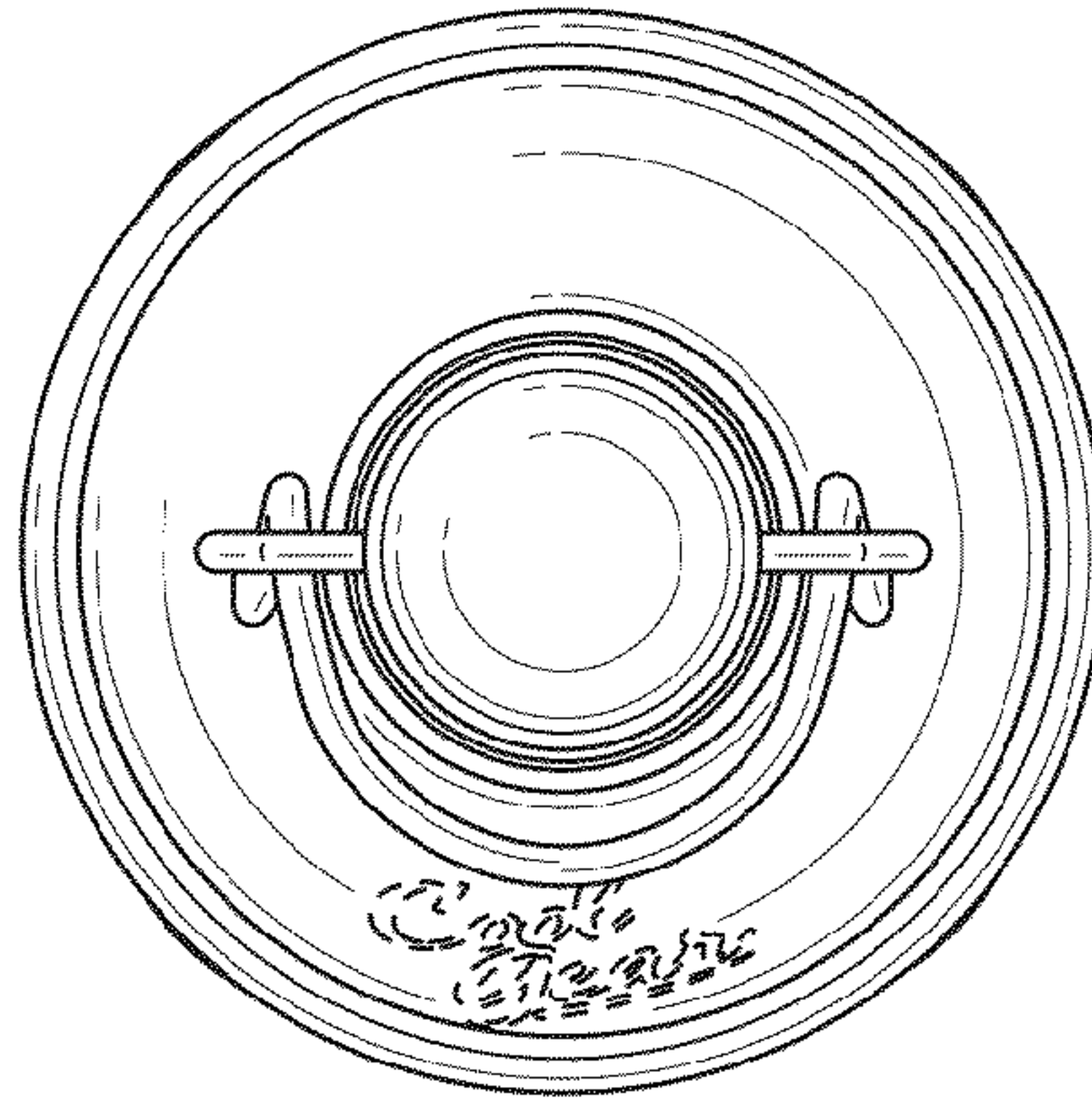


FIG. 6

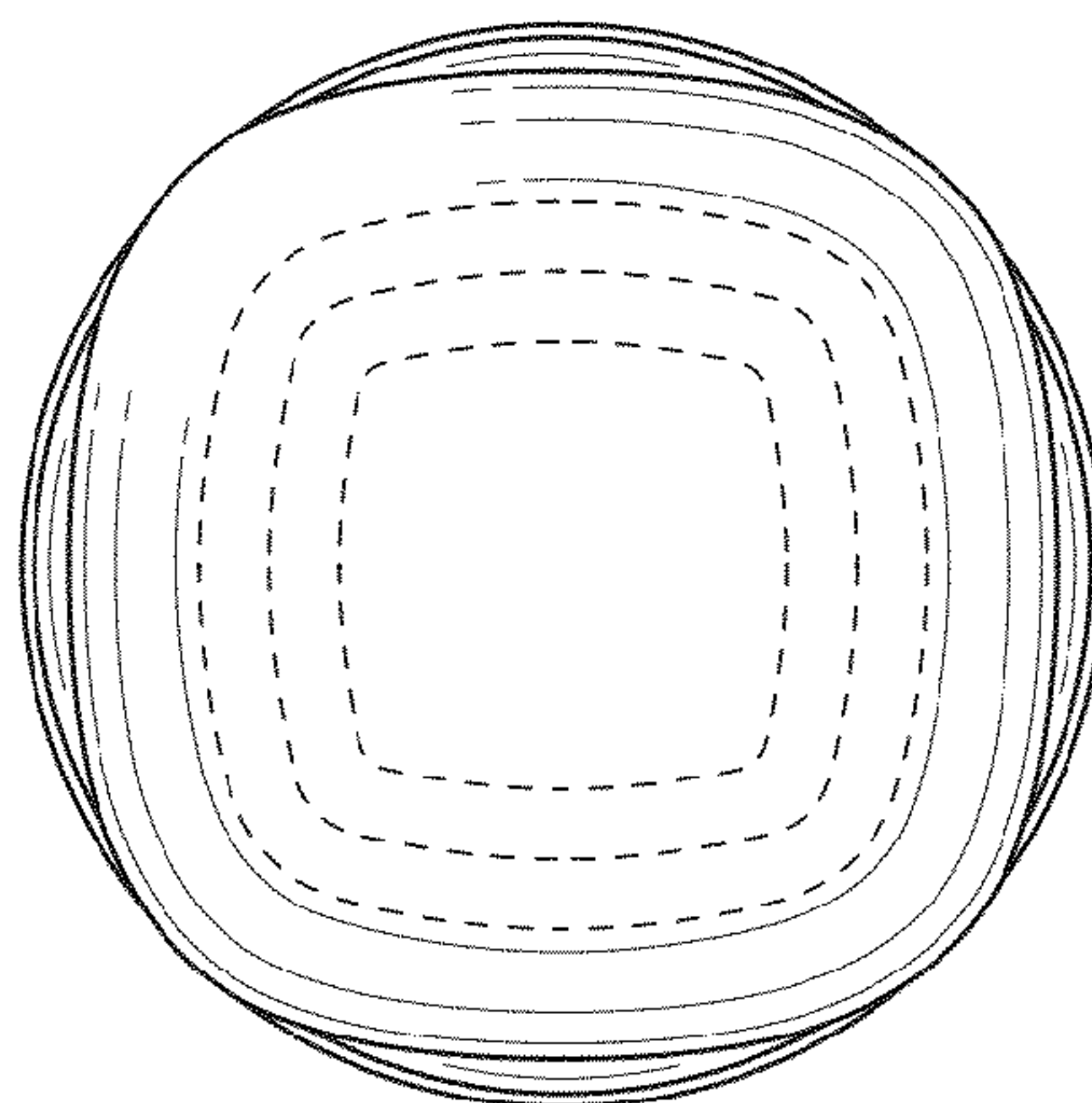


FIG. 7

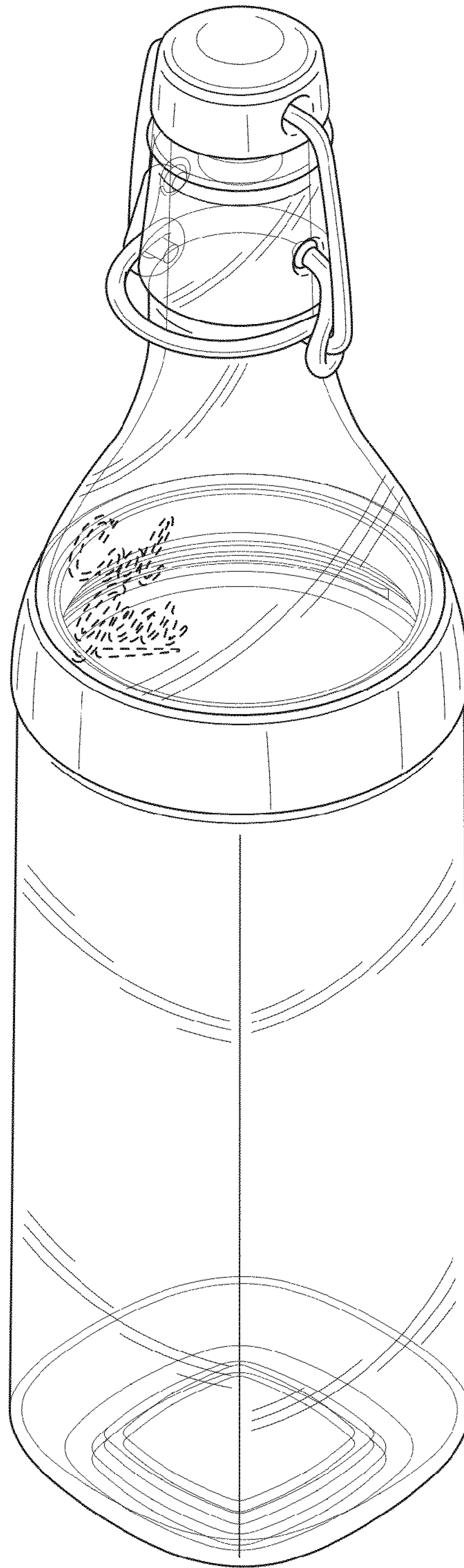


FIG. 8



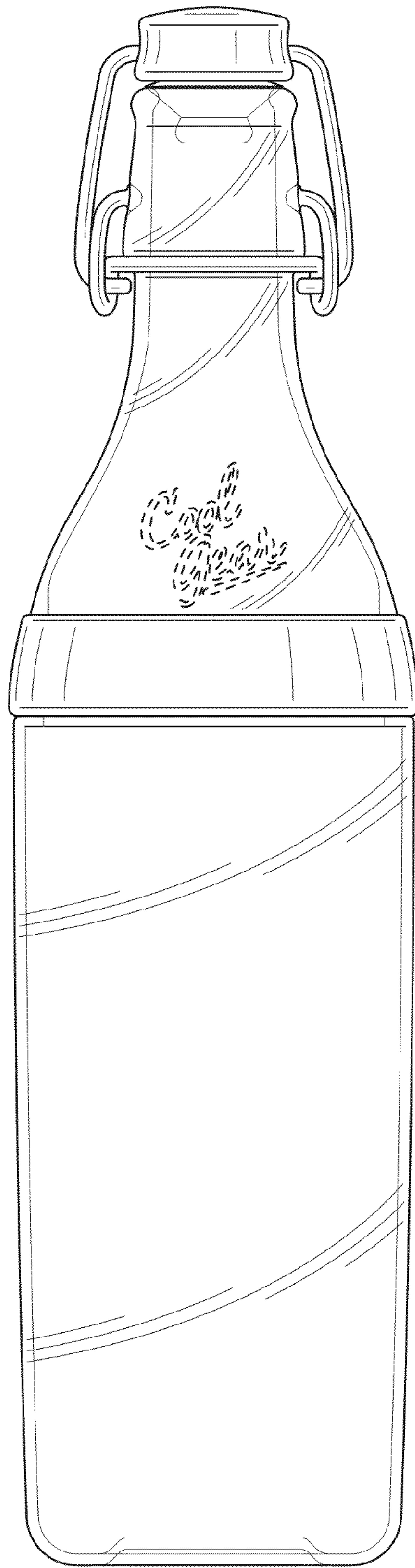


FIG. 9

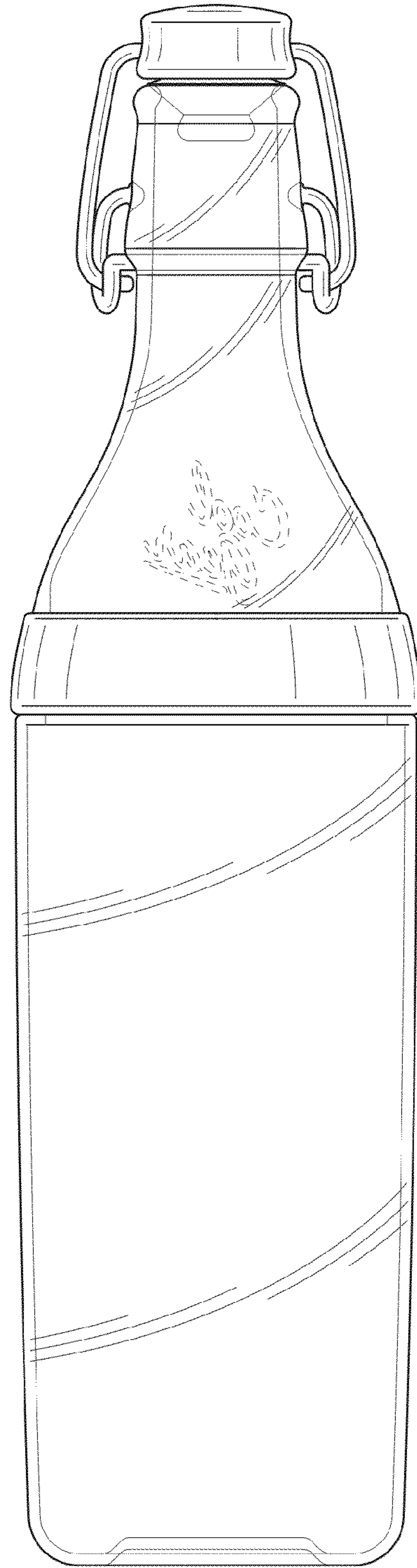


FIG. 10

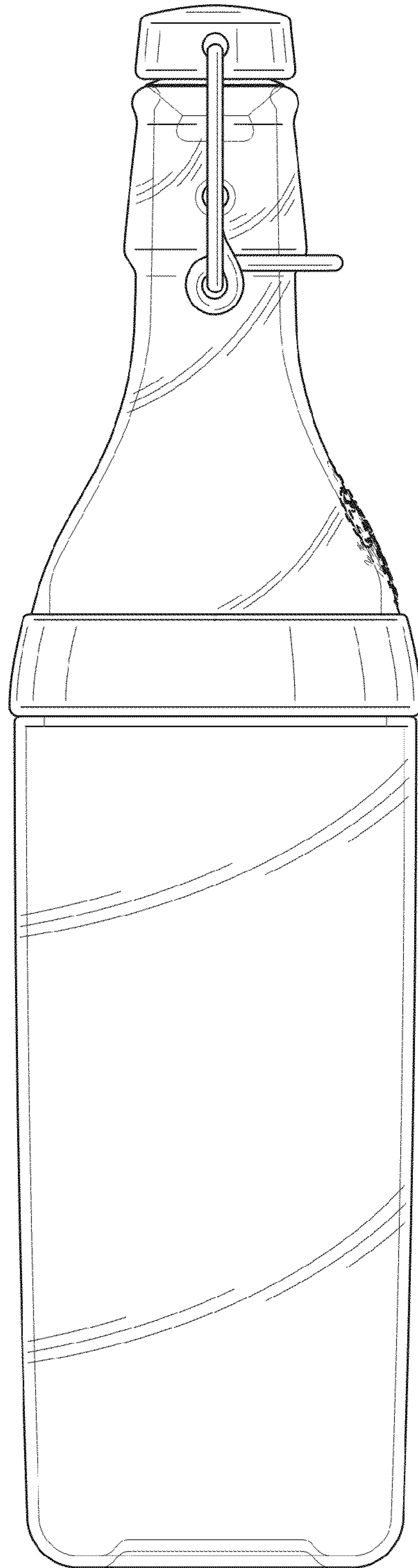


FIG. 11

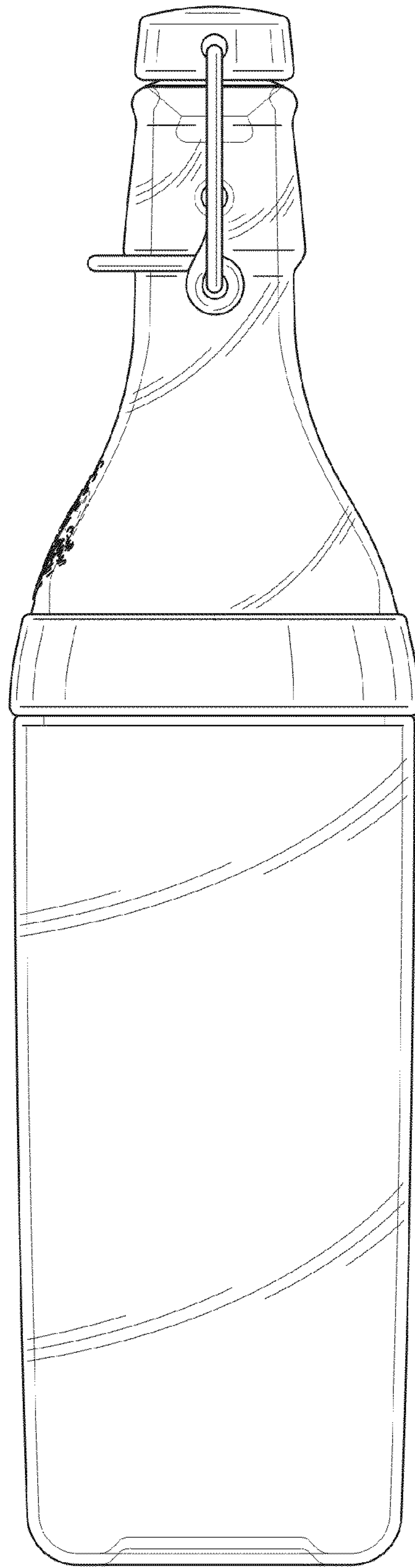


FIG. 12

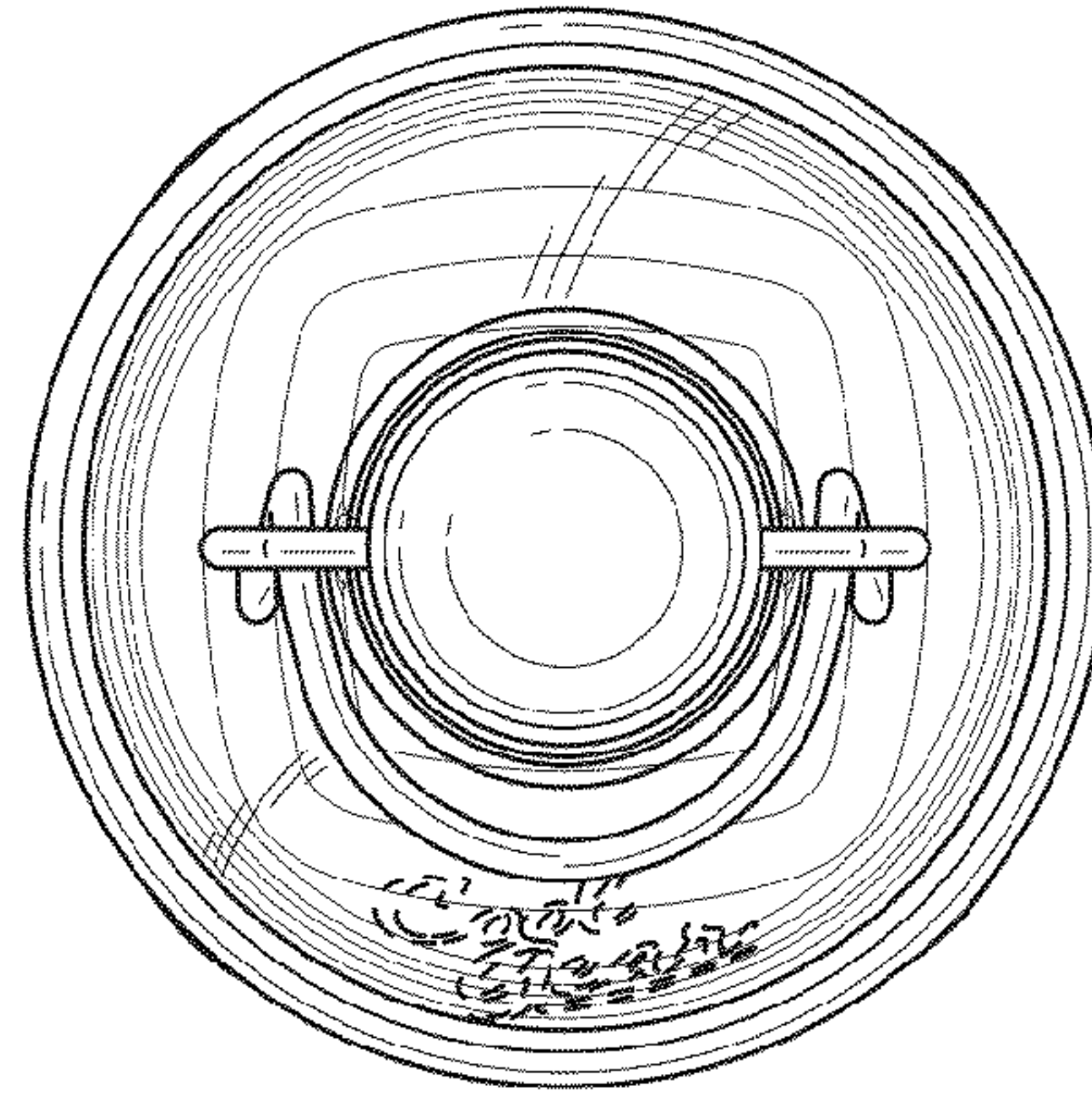


FIG. 13

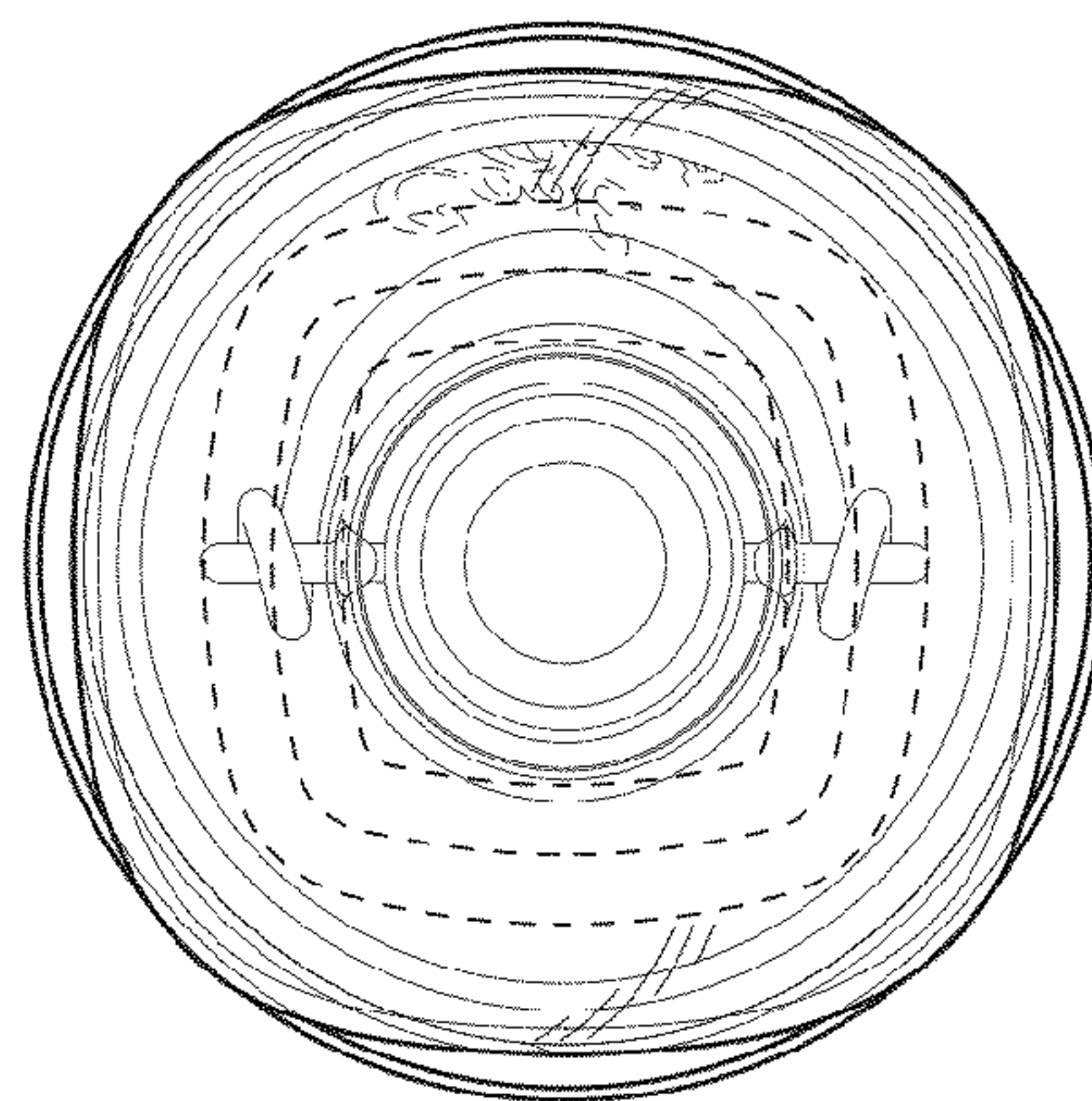


FIG. 14