



US00D742752S

(12) **United States Design Patent**  
**Castiglioni**

(10) **Patent No.:** **US D742,752 S**

(45) **Date of Patent:** **\*\* Nov. 10, 2015**

(54) **CONTAINER FOR PERFUME**

(71) Applicant: **MARNI INTERNATIONAL S.A.**  
**LUXEMBOURG PAZZALLO**  
**BRANCH, Lugano (CH)**

(72) Inventor: **Consuelo Castiglioni, Lugano (CH)**

(73) Assignee: **Marni International S.A. Luxembourg**  
**Pazzallo Branch, Lugano (CH)**

(\*\*) Term: **14 Years**

(21) Appl. No.: **29/440,161**

(22) Filed: **Dec. 19, 2012**

(30) **Foreign Application Priority Data**

Oct. 5, 2012 (EM) ..... 002114363

(51) **LOC (10) Cl.** ..... **09-01**

(52) **U.S. Cl.**  
USPC ..... **D9/550; D9/454; D9/553**

(58) **Field of Classification Search**  
USPC ..... D9/434-435, 454, 500, 503, 505, 516,  
D9/544-545, 549-550, 553, 558, 575, 682,  
D9/686-693, 715, 719; D28/91.1;  
215/379, 381-382; 220/660, 669, 675  
CPC ..... B65D 1/00; B65D 1/02; B65D 1/0223;  
B65D 23/00; B65D 81/00; B65D 2501/00;  
B65D 2501/0009

See application file for complete search history.

(56) **References Cited**

U.S. PATENT DOCUMENTS

D92,781 S *	7/1934	Tricard .....	D9/550
4,280,638 A *	7/1981	Keihm .....	222/180
D272,952 S *	3/1984	Holloway .....	D28/89
D309,357 S *	7/1990	Rosen .....	D28/77
D317,124 S *	5/1991	Durand .....	D9/563
D463,263 S *	9/2002	Gobe .....	D9/691
D596,950 S *	7/2009	Nevins et al. ....	D9/690
D601,424 S *	10/2009	Rica .....	D9/500
D677,569 S *	3/2013	Lemaitre .....	D9/500
D686,506 S *	7/2013	Mendes et al. ....	D9/691
D695,117 S *	12/2013	Kim .....	D9/503

\* cited by examiner

*Primary Examiner* — Dana L Meyrow

(74) *Attorney, Agent, or Firm* — Dickstein Shapiro LLP

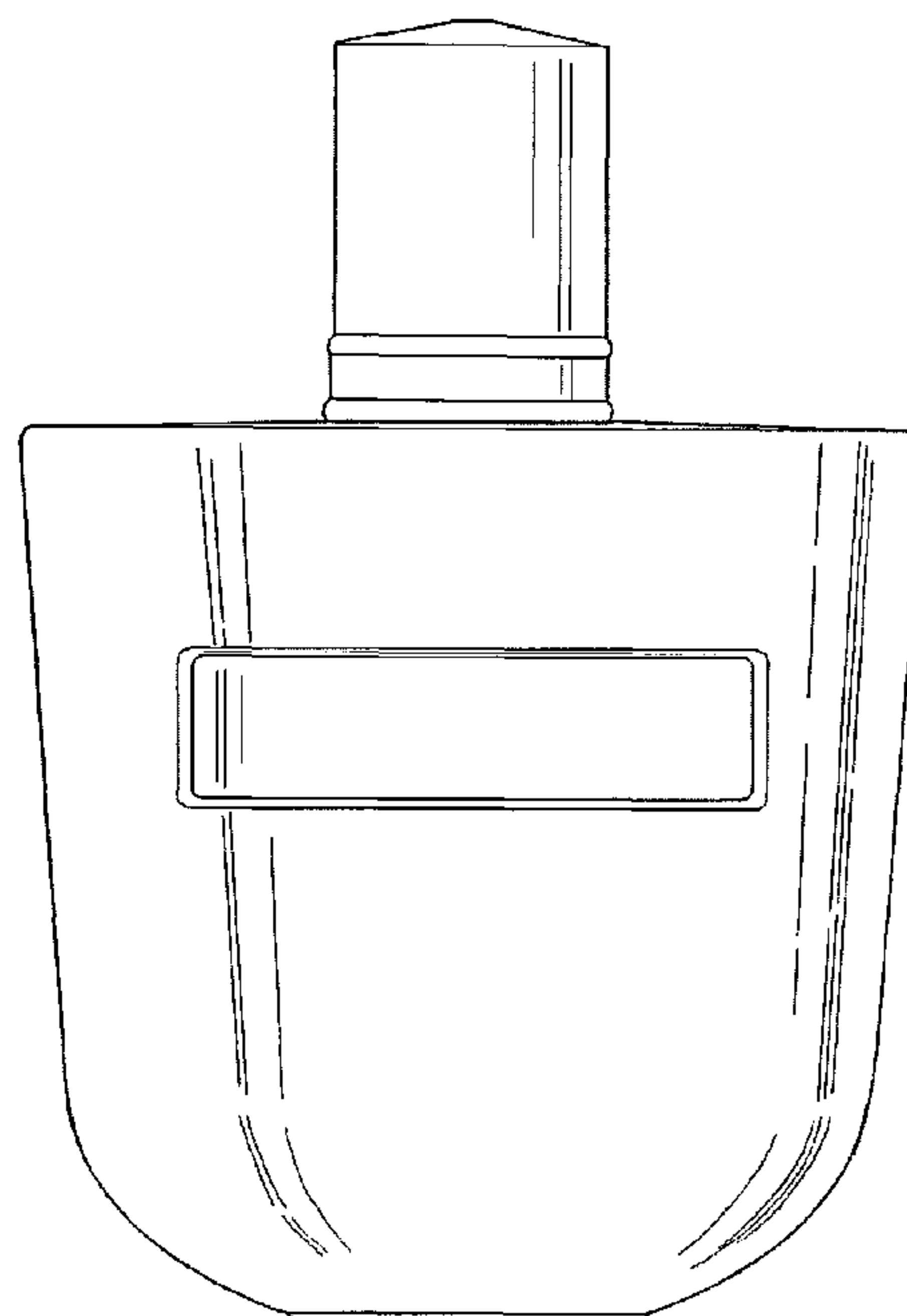
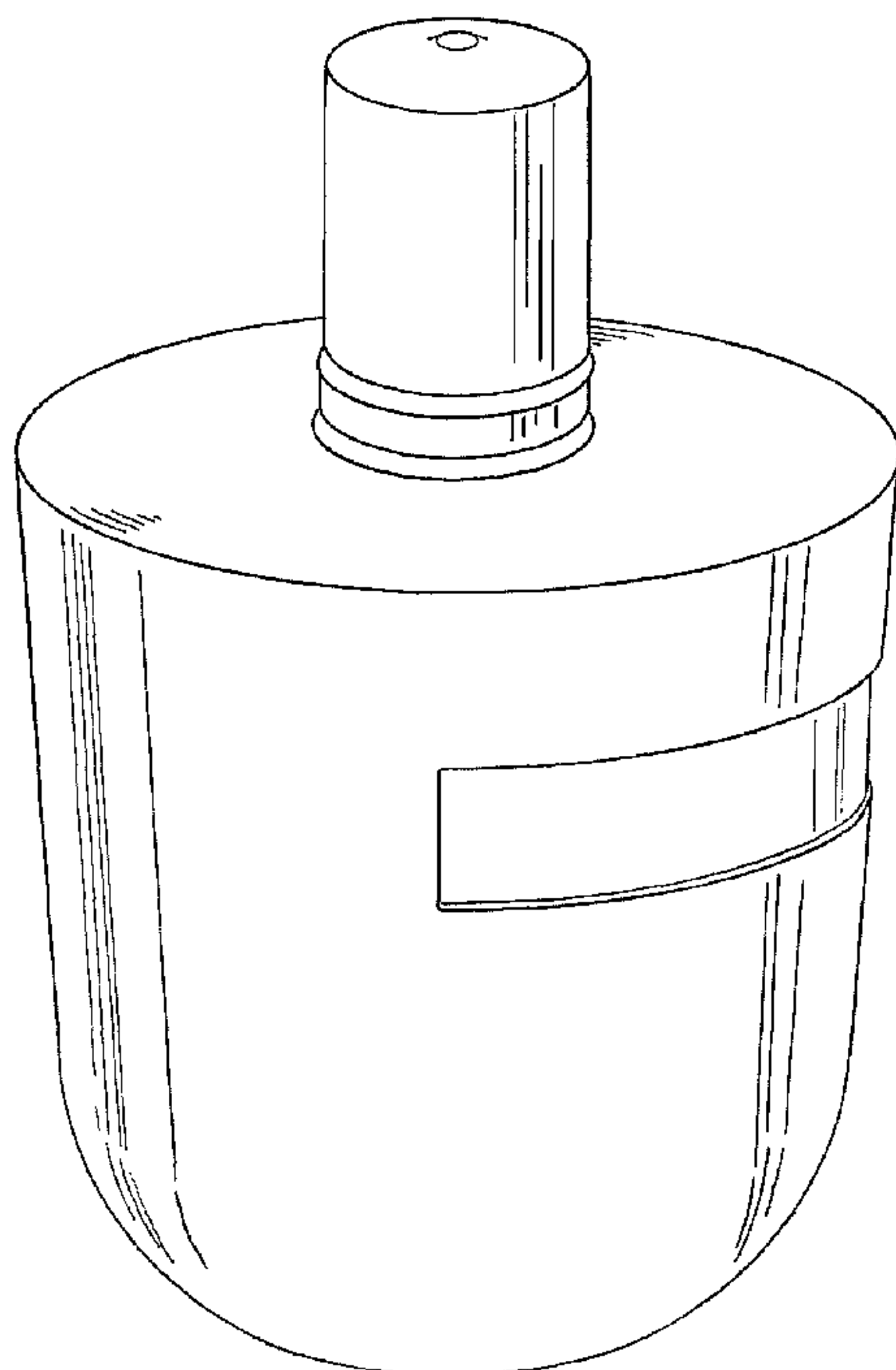
(57) **CLAIM**

The ornamental design for a container for perfume, as shown and described.

**DESCRIPTION**

FIG. 1 is a perspective view of the container for perfume of the present invention;  
FIG. 2 is a front view thereof;  
FIG. 3 is a back view thereof;  
FIG. 4 is a left side view thereof;  
FIG. 5 is a right side view thereof;  
FIG. 6 is a top view thereof; and,  
FIG. 7 is a bottom view thereof.

**1 Claim, 7 Drawing Sheets**



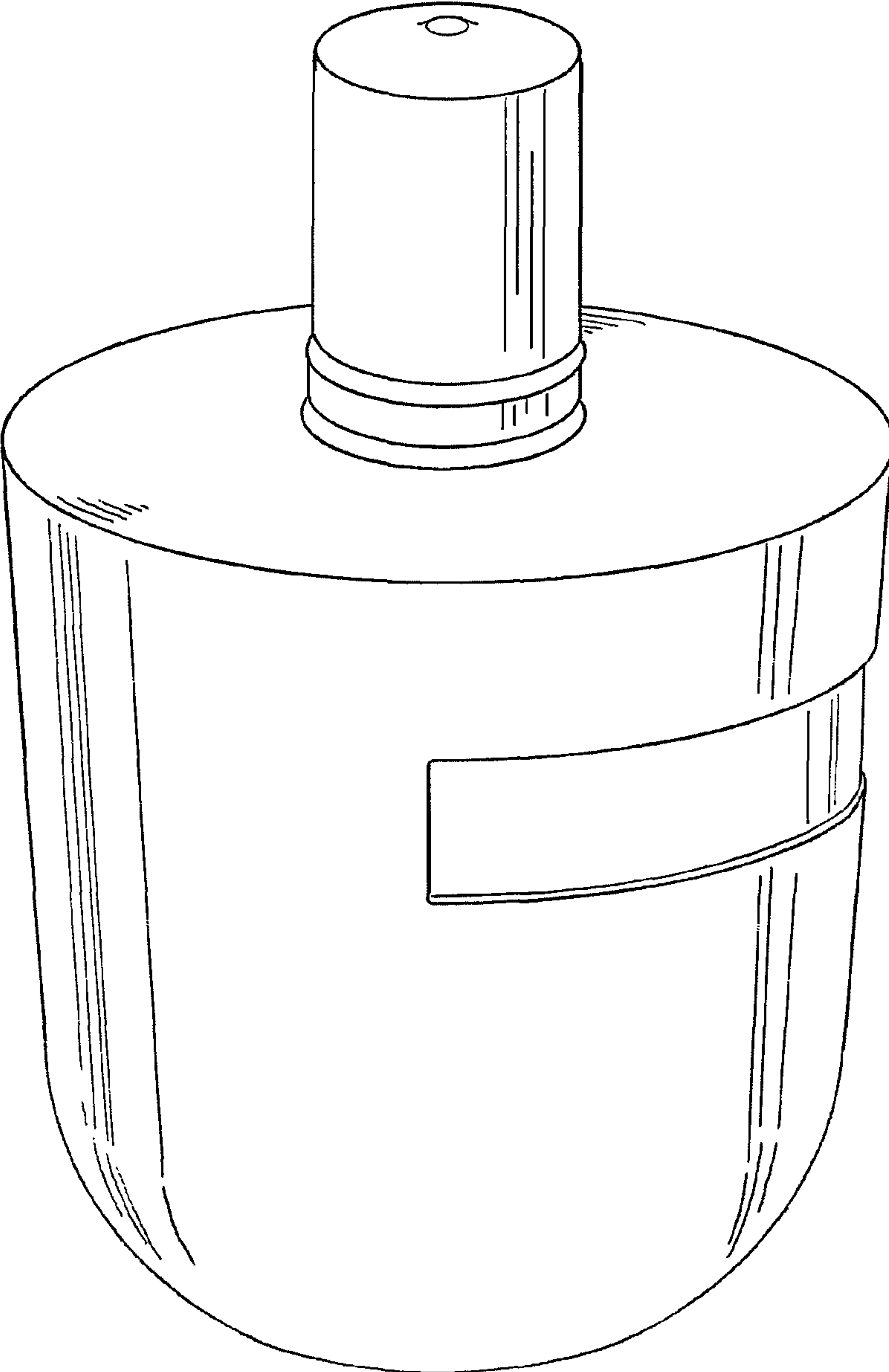


Fig. 1

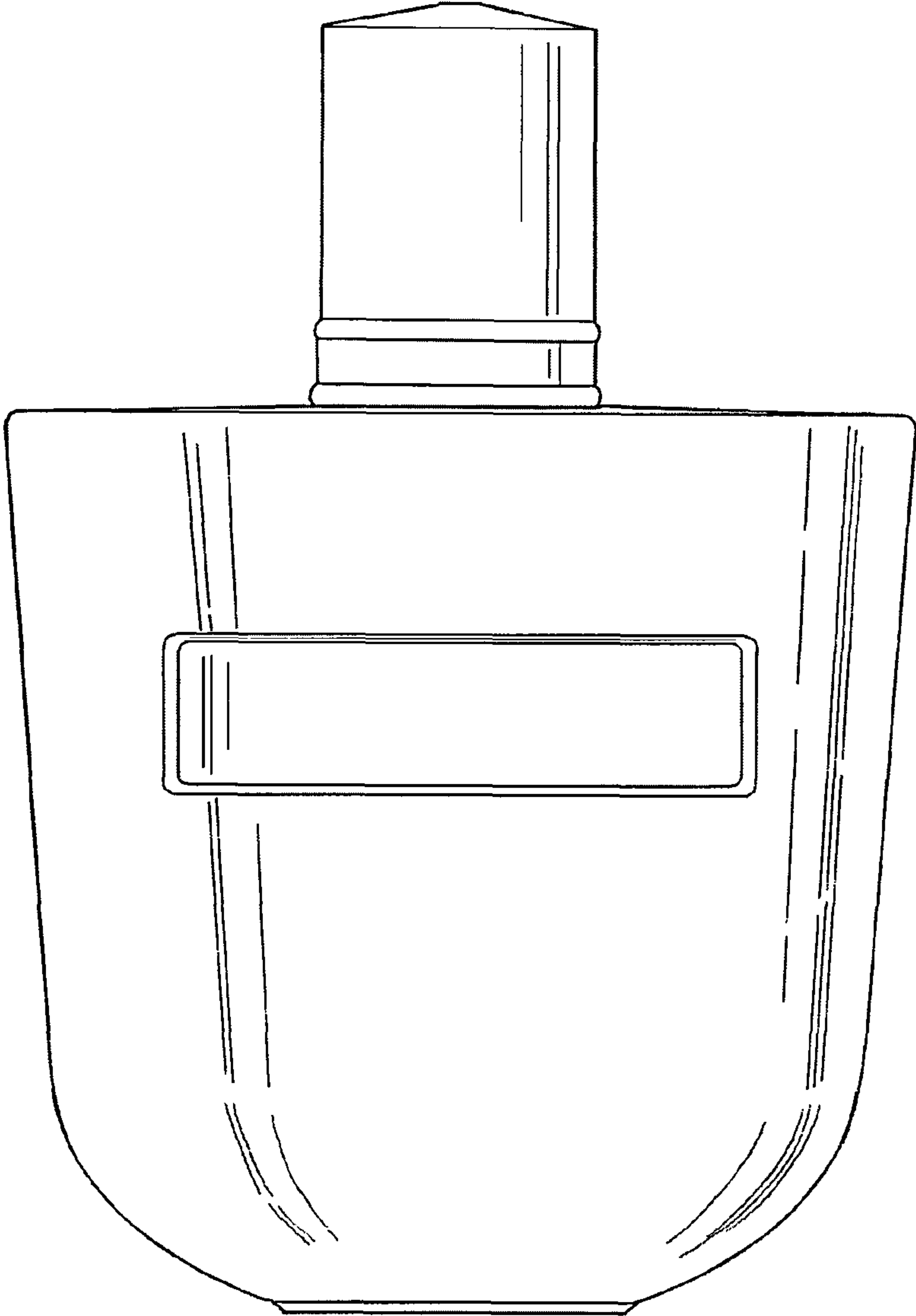


Fig. 2

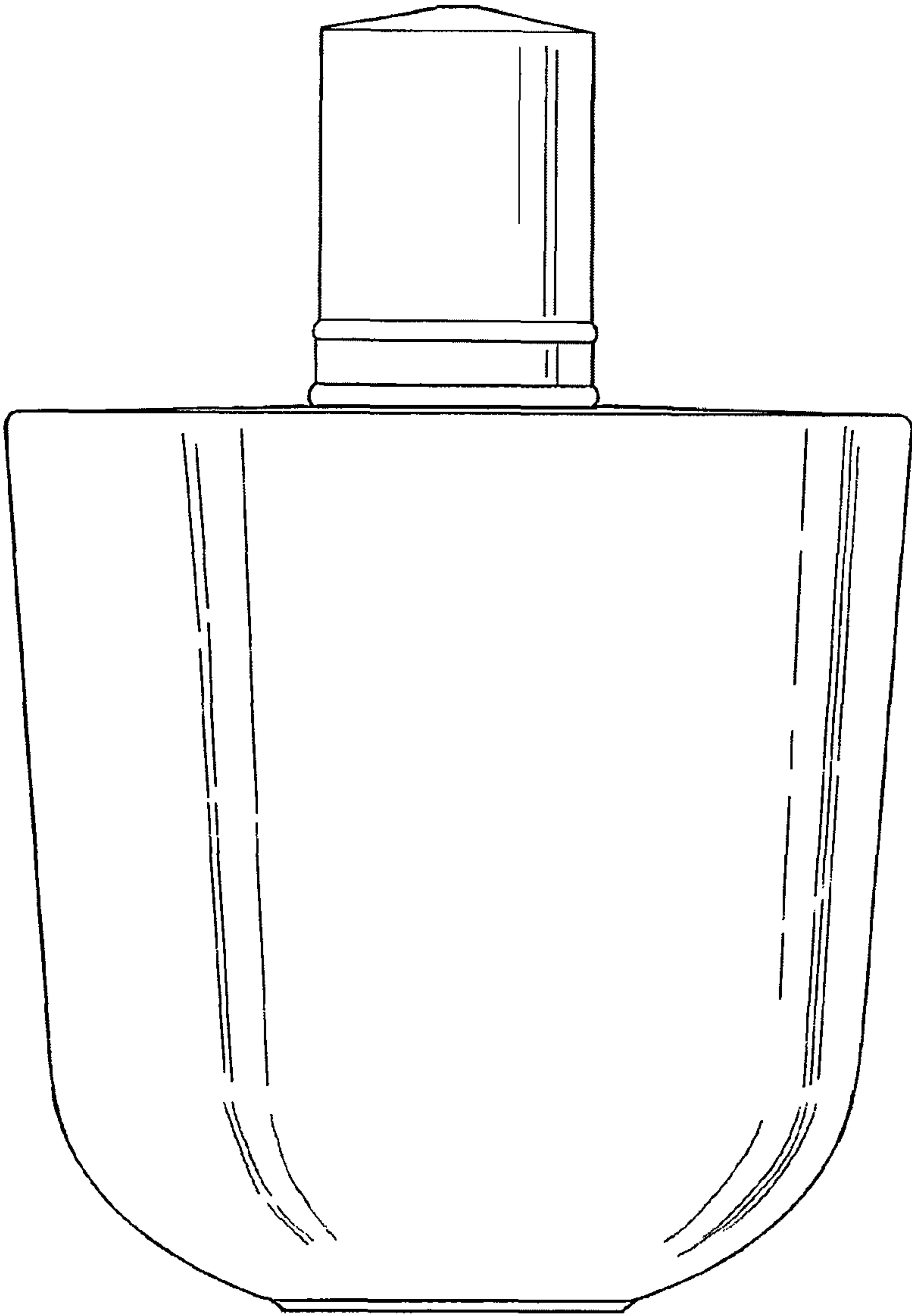


Fig. 3

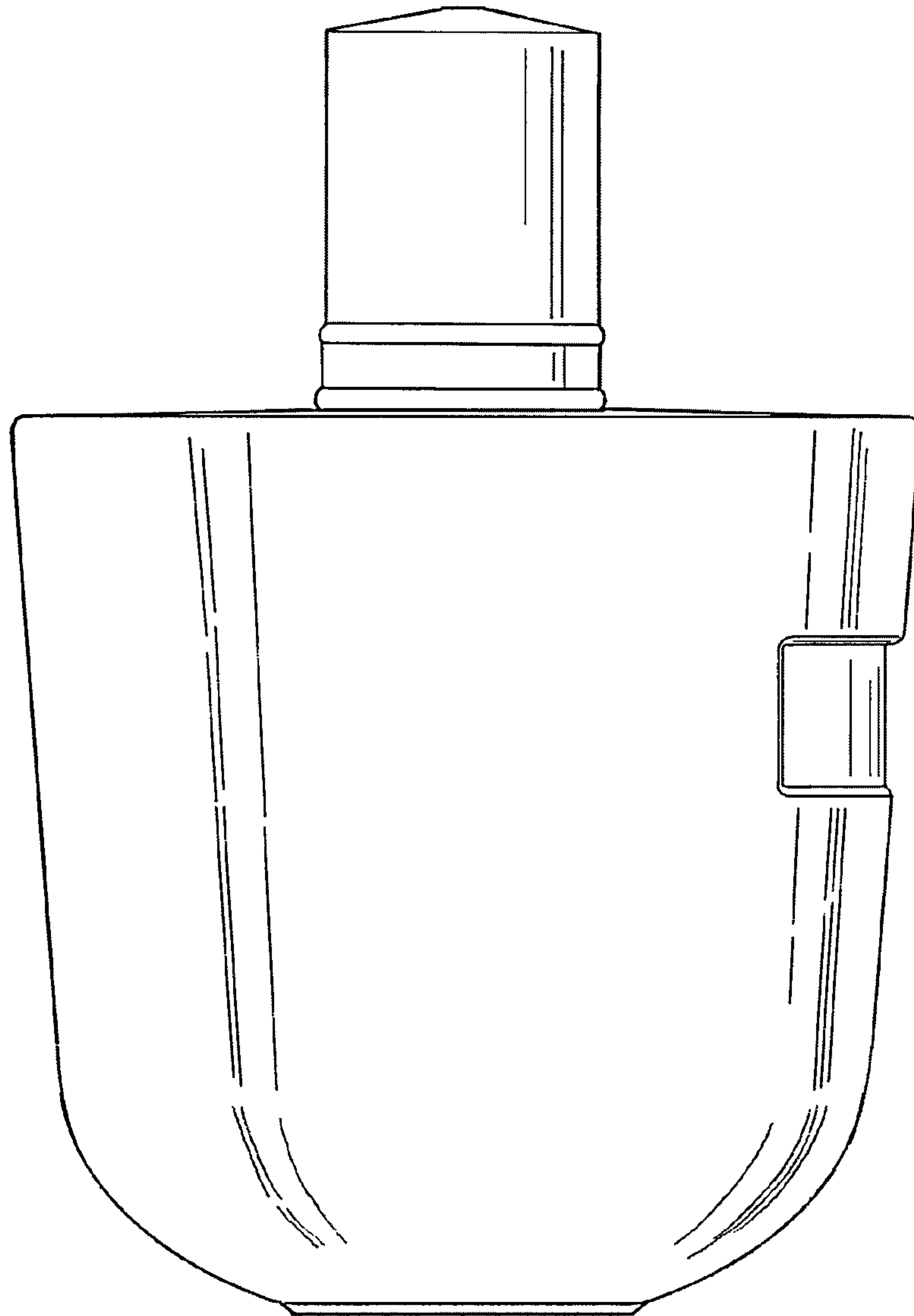


Fig. 4

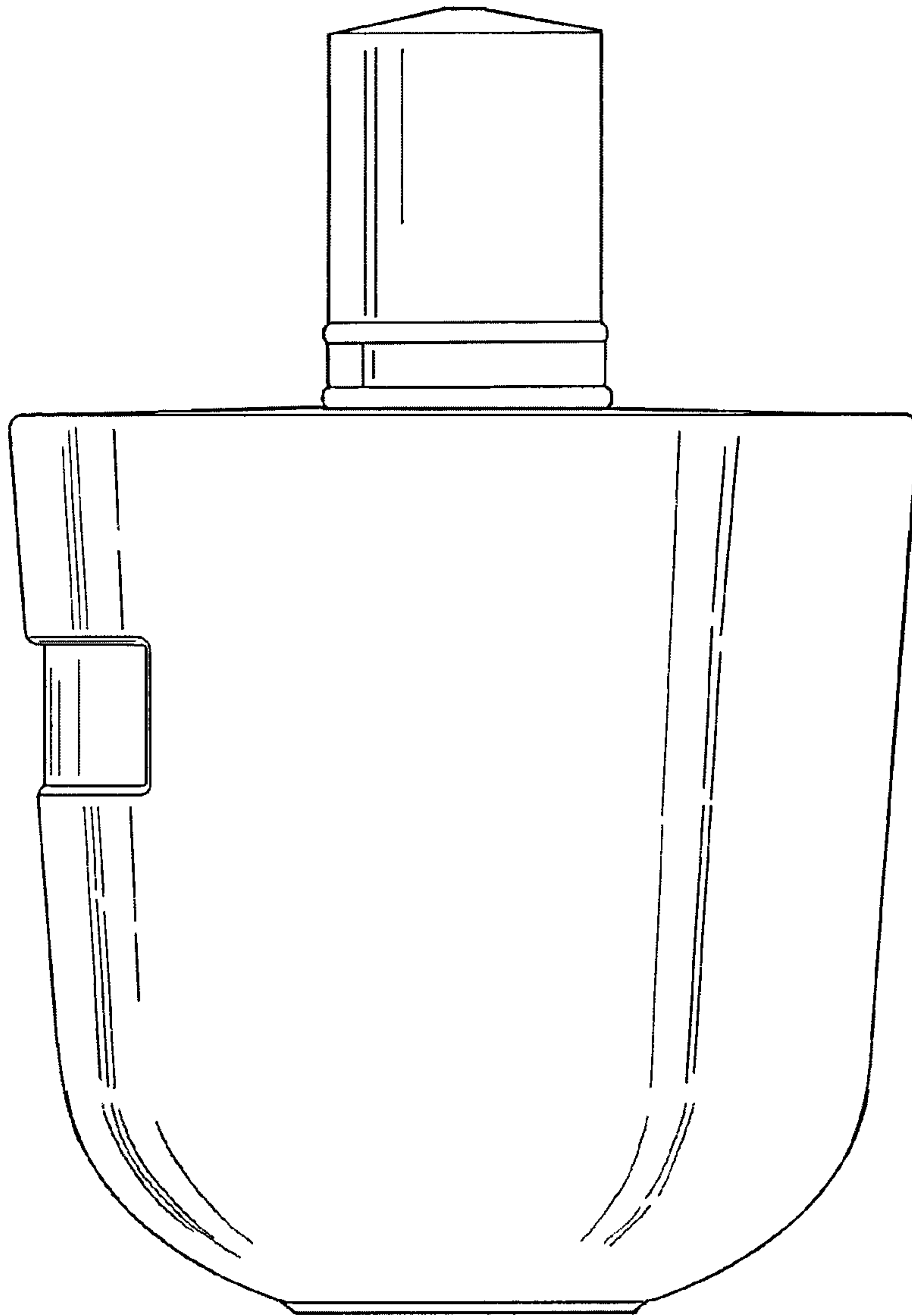


Fig. 5

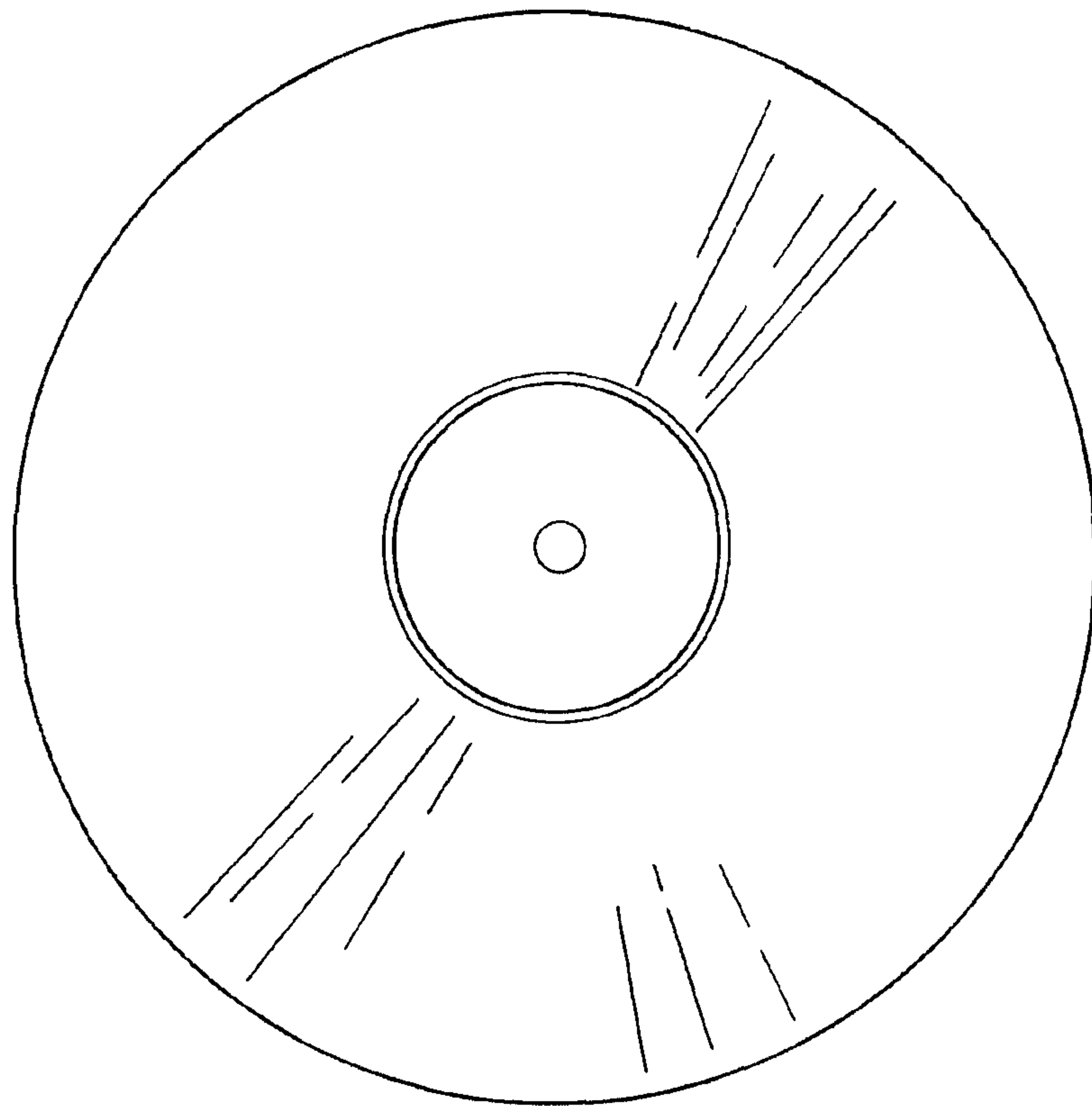


Fig. 6

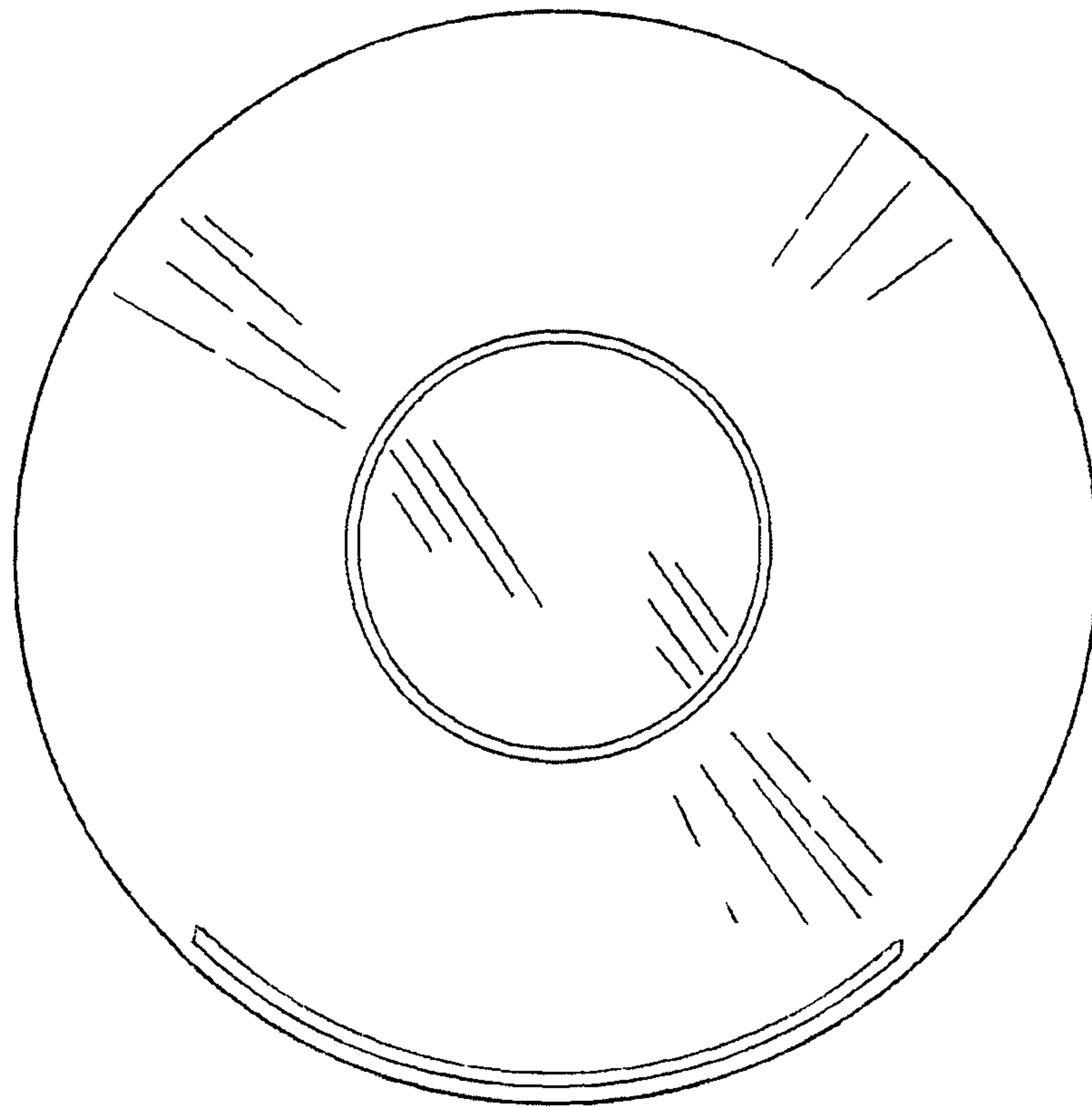


Fig. 7