



US00D742747S

(12) **United States Design Patent**
Lobbestael et al.

(10) **Patent No.:** **US D742,747 S**

(45) **Date of Patent:** **** *Nov. 10, 2015**

(54) **CONTAINER**

(71) Applicant: **Mid-America Machining, Inc.**,
Brooklyn, MI (US)

(72) Inventors: **Peter Lobbestael**, Manitou Beach, MI
(US); **Al Vanover**, Adrian, MI (US);
Kevin D. Gaydosh, Adrian, MI (US);
Gregory T. Hall, Adrian, MI (US)

(73) Assignee: **Mid-America Machining, Inc.**,
Brooklyn, MI (US)

(*) Notice: This patent is subject to a terminal disclaimer.

(**) Term: **14 Years**

(21) Appl. No.: **29/478,309**

(22) Filed: **Jan. 3, 2014**

(51) **LOC (10) Cl.** **09-01**

(52) **U.S. Cl.**
USPC **D9/531**

(58) **Field of Classification Search**
USPC D7/306, 313; D9/509–511, 516, 520,
D9/523–525, 527, 528, 531–536, 540, 543,
D9/549, 556, 557, 575; D23/202; 215/214,
215/217, 223, 379, 382–385, 396, 398;
222/94, 185.1, 210, 212, 215, 465.1
See application file for complete search history.

(56) **References Cited**

U.S. PATENT DOCUMENTS

D213,763 S * 4/1969 Plummer D9/531
D213,821 S 4/1969 Platte

D221,516 S * 8/1971 Crisci D9/531
D256,664 S 9/1980 Burrington et al.
D315,672 S * 3/1991 Peykoff D9/528
D348,612 S * 7/1994 Ring D9/531
D391,854 S 3/1998 Ankney et al.
D392,188 S 3/1998 Darr et al.
D415,035 S 10/1999 Ankney et al.
D427,076 S * 6/2000 Ankney et al. D9/531
D512,320 S 12/2005 Haley et al.
D604,623 S 11/2009 Baker, III
D612,247 S * 3/2010 Lembke et al. D9/531
D619,468 S * 7/2010 Lembke et al. D9/531
D623,955 S * 9/2010 Lembke et al. D9/531

* cited by examiner

Primary Examiner — Derrick Holland

Assistant Examiner — Janice Lim

(74) *Attorney, Agent, or Firm* — Young Basile Hanlon & MacFarlane P.C.

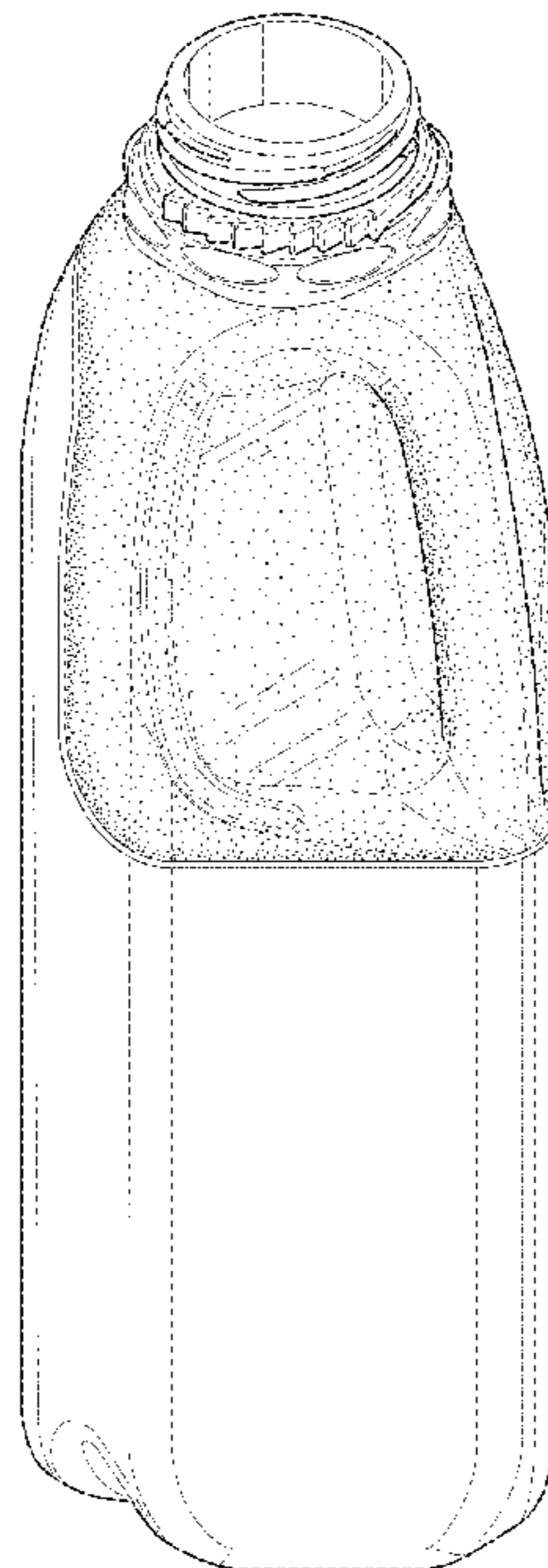
(57) **CLAIM**

The ornamental design for a container, as shown and described.

DESCRIPTION

FIG. 1 is a side perspective view of a container showing our new design;
FIG. 2 is a side elevational view thereof;
FIG. 3 is a front elevational view thereof;
FIG. 4 is a rear elevational view thereof;
FIG. 5 is a top view thereof; and,
FIG. 6 is a bottom view thereof.
The broken line portions of FIGS. 5 and 6 are included to show unclaimed subject matter only and form no part of the claimed design.

1 Claim, 5 Drawing Sheets



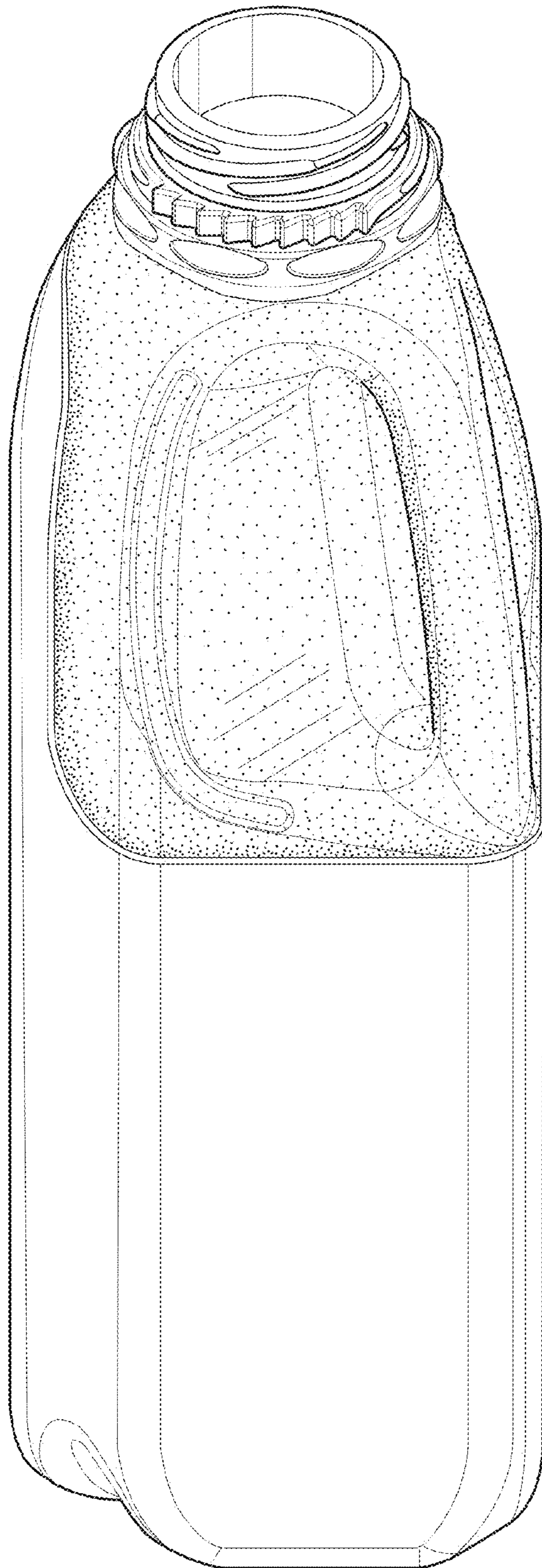


FIG. 1

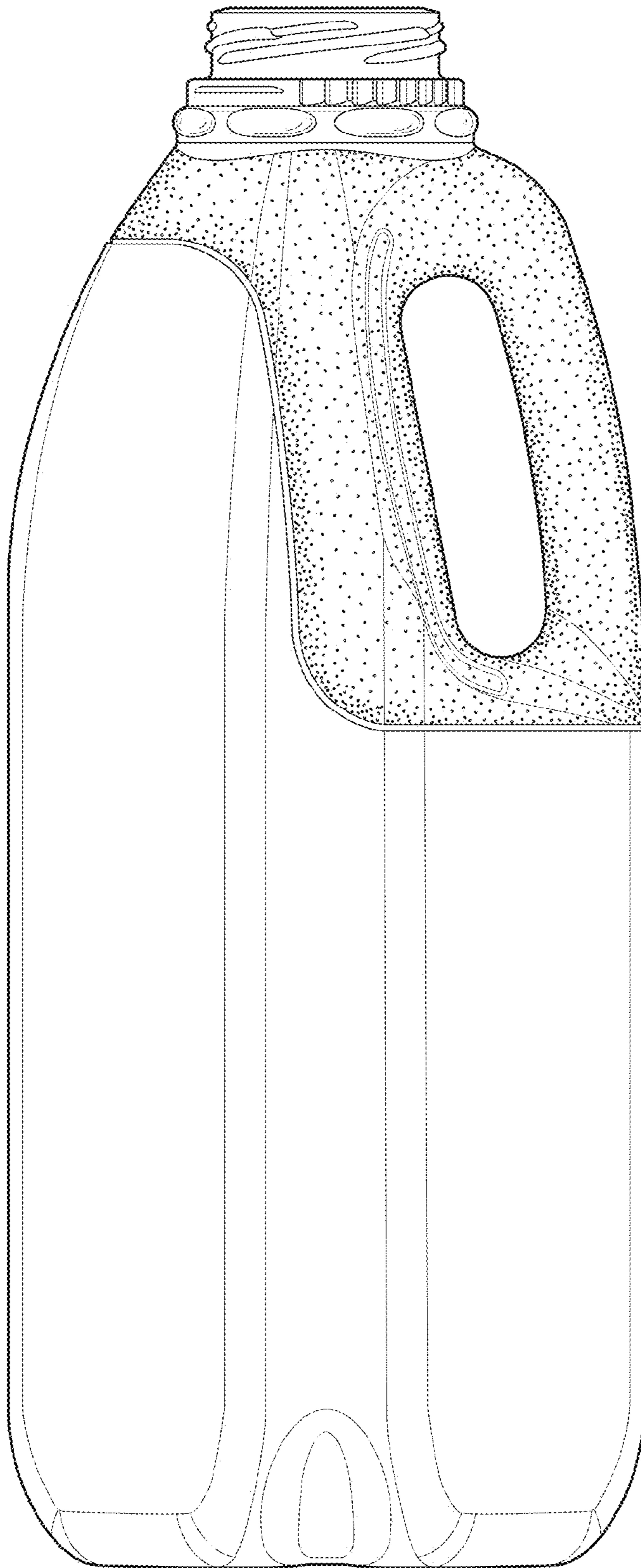


FIG. 2

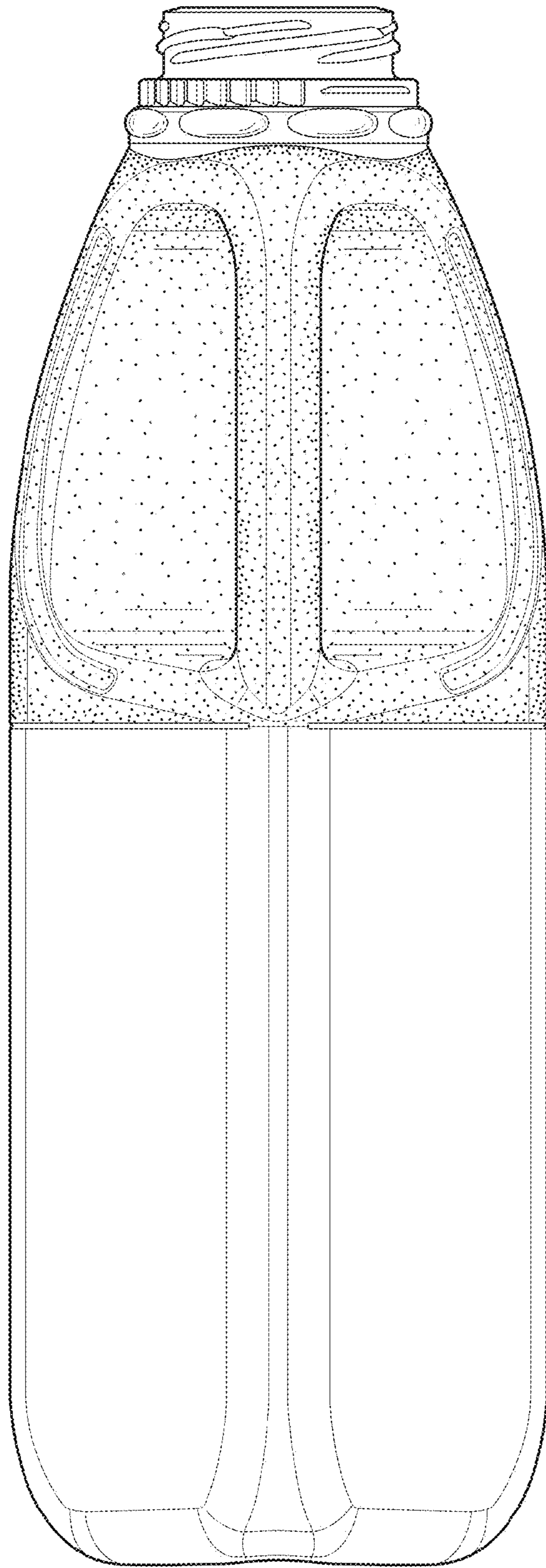


FIG. 3

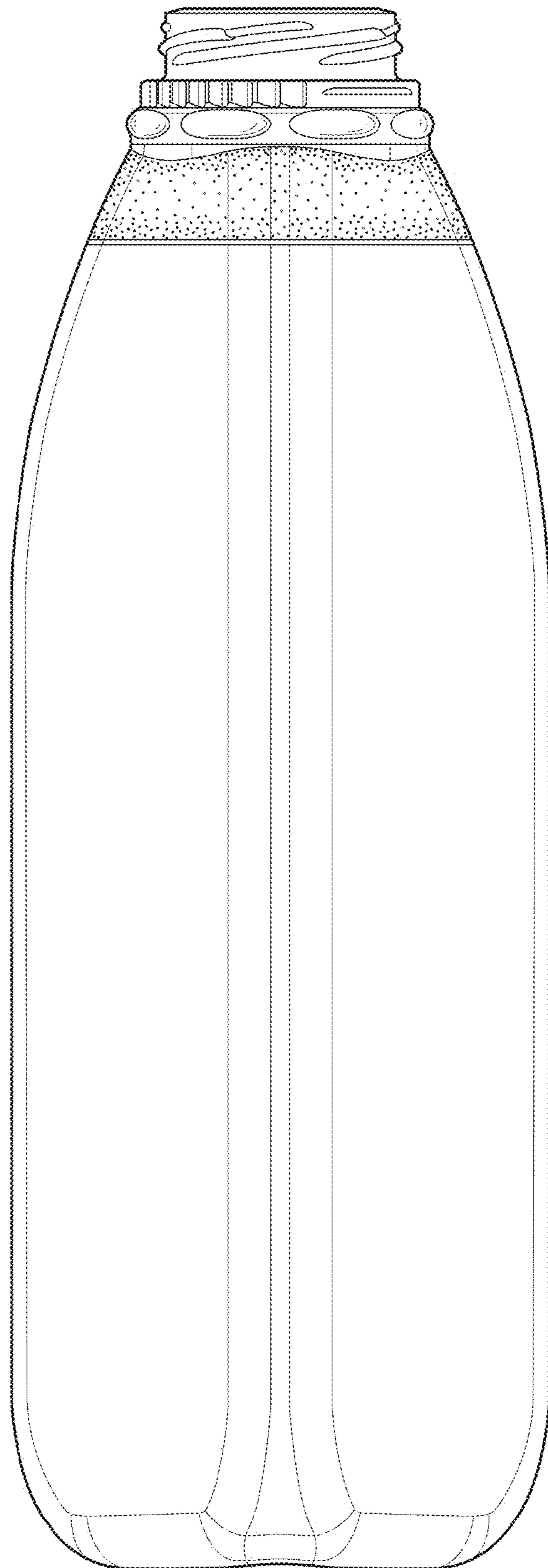


FIG. 4

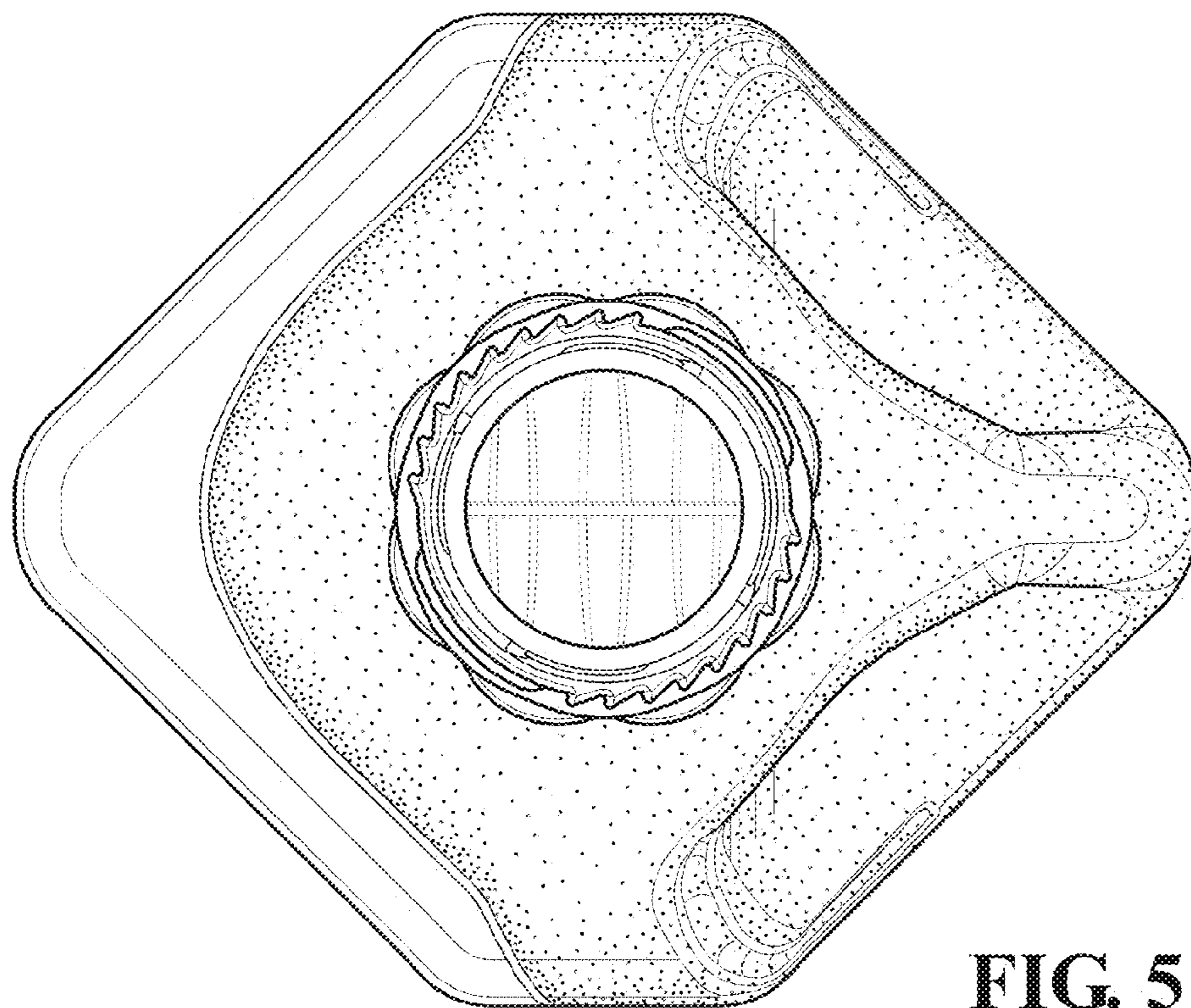


FIG. 5

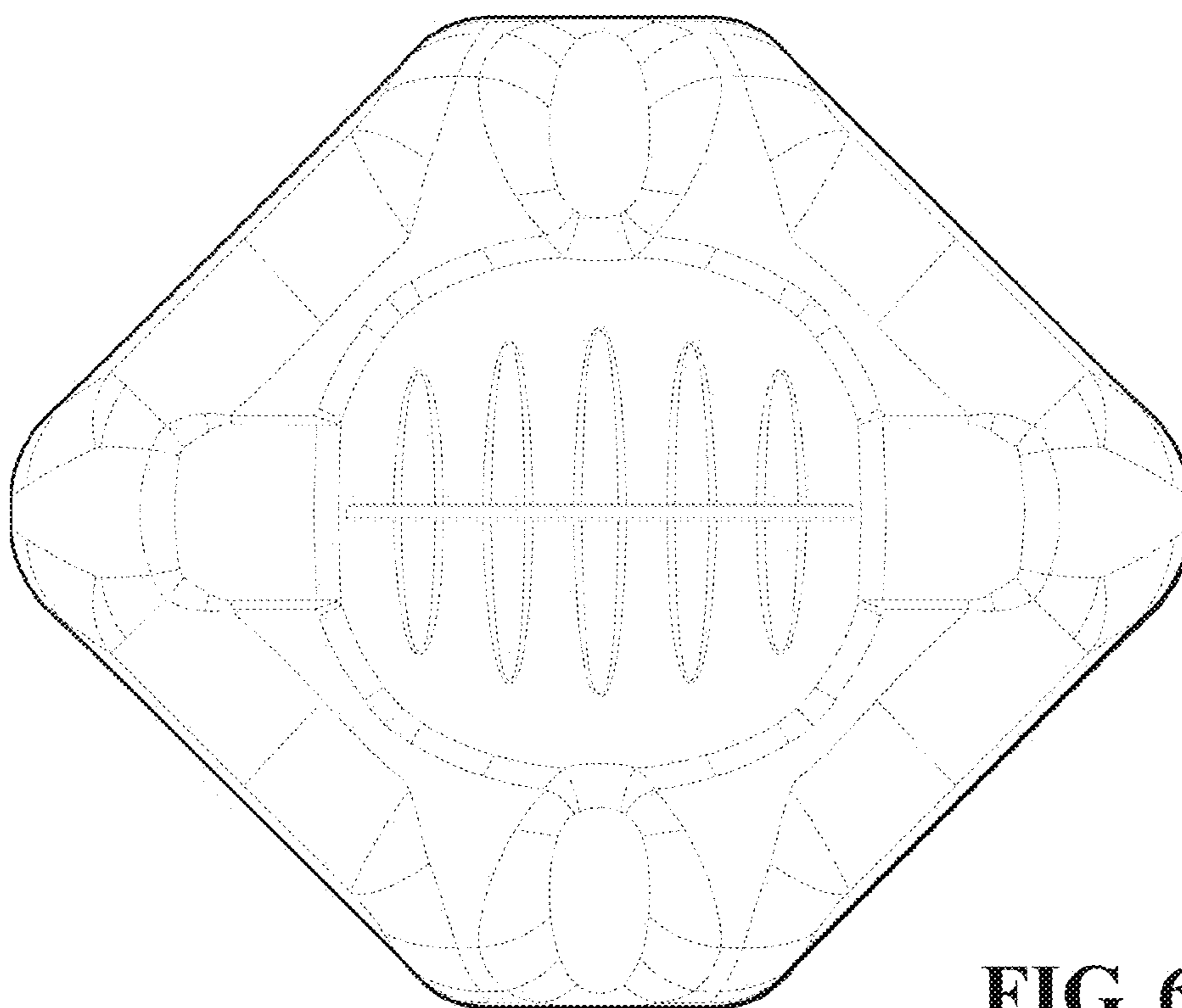


FIG. 6