



US00D742744S

(12) **United States Design Patent**
Hall

(10) **Patent No.:** **US D742,744 S**

(45) **Date of Patent:** **** Nov. 10, 2015**

- (54) **BOTTLE**
- (71) Applicant: **Monster Energy Company**, Corona, CA (US)
- (72) Inventor: **Mark Hall**, Corona, CA (US)
- (73) Assignee: **Monster Energy Company**, Corona, CA (US)
- (**) Term: **14 Years**
- (21) Appl. No.: **29/486,360**
- (22) Filed: **Mar. 28, 2014**

- D209,100 S 10/1967 Du Pree et al.
- D216,778 S 3/1970 Stone
- D217,230 S 4/1970 Kessig
- D248,835 S 8/1978 Korsmeyer
- D249,021 S 8/1978 Pettengill
- D249,330 S 9/1978 Pigeon
- D258,198 S 2/1981 Segal
- D260,239 S 8/1981 Barrash
- D267,076 S 11/1982 Hurtig
- D268,395 S 3/1983 Humphries
- D270,520 S 9/1983 Strand
- D292,269 S 10/1987 Jacobs et al.
- D301,203 S 5/1989 Jolly et al.
- D305,984 S 2/1990 Alberghini et al.
- D315,295 S 3/1991 Reece et al.
- D320,455 S 10/1991 Malcolm
- D322,213 S 12/1991 Magnnis, Jr.
- D330,334 S 10/1992 Rusnock et al.
- D351,348 S 10/1994 Marriage
- D363,026 S 10/1995 Sillince et al.
- D364,347 S 11/1995 Sillince et al.
- D374,176 S 10/1996 Sillince et al.

Related U.S. Application Data

- (62) Division of application No. 29/440,060, filed on Dec. 18, 2012, now Pat. No. Des. 701,771.

- (51) **LOC (10) CL.** **09-01**
- (52) **U.S. Cl.**
USPC **D9/500; D9/550**
- (58) **Field of Classification Search**
USPC D9/600-604, 652, 667, 500-504, 516,
D9/529-530, 537-546, 549-558;
229/116.1; 206/494, 457, 527;
220/890; 215/400

See application file for complete search history.

References Cited

U.S. PATENT DOCUMENTS

- D7,105 S 1/1874 Michael
- D34,165 S 3/1901 De St. George
- 1,127,141 A 2/1915 Whitcomb
- D60,557 S 3/1922 Marble
- D71,251 S 10/1926 Potokar
- D81,520 S 7/1930 Bromiley
- D90,433 S 8/1933 Borokoff
- D191,685 S 10/1961 Price et al.
- D203,522 S 1/1966 Benes
- 3,331,521 A 7/1967 Paige

(Continued)

Primary Examiner — Sandra Morris

(74) *Attorney, Agent, or Firm* — Knobbe Martens Olson & Bear LLP

(57) **CLAIM**

The ornamental design for a bottle, as shown and described.

DESCRIPTION

FIG. 1 is a front and top perspective view of a bottle embodying my new design.

FIG. 2 is a front elevational view thereof.

FIG. 3 is a rear elevational view thereof.

FIG. 4 is a left side elevational view thereof.

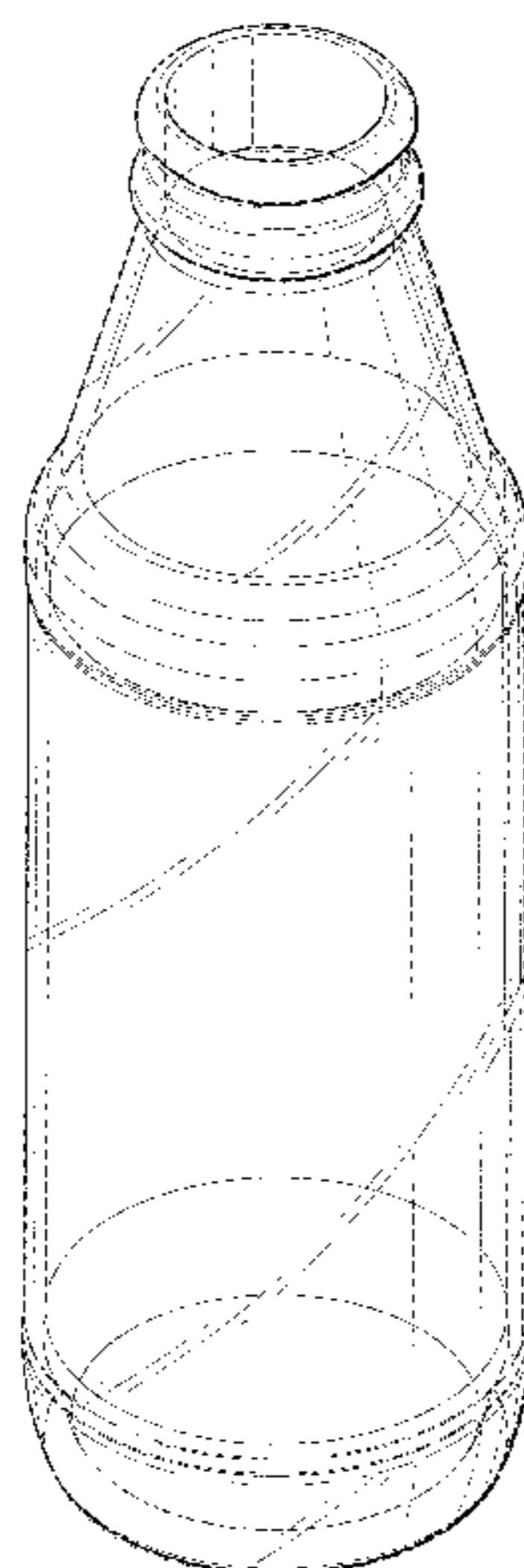
FIG. 5 is a right side elevational view thereof.

FIG. 6 is a top plan view thereof; and,

FIG. 7 is a bottom plan view thereof.

Portions shown in phantom lines are for illustrative purposes only and form no part of the claimed design.

1 Claim, 4 Drawing Sheets



(56)

References Cited

U.S. PATENT DOCUMENTS

D379,150 S	5/1997	Richardson	D522,875 S	6/2006	Uryevich
D405,698 S	2/1999	Lykken et al.	D531,913 S	11/2006	Heisner et al.
D407,648 S	4/1999	Glaser et al.	D551,986 S	10/2007	Rubin et al.
D413,265 S	8/1999	Hestehave et al.	D563,230 S	3/2008	Watts
D413,511 S	9/1999	Guthrie et al.	D563,231 S	3/2008	Watts
D414,417 S	9/1999	Alt	D581,272 S	11/2008	Yourist et al.
D415,414 S	10/1999	Pekarev	D596,949 S	7/2009	Flude
D426,161 S	6/2000	Hestehave et al.	D622,145 S	8/2010	Walsh
D446,686 S	8/2001	Holthus	D626,840 S	11/2010	Hall
D450,536 S	11/2001	Holthus	D632,968 S	2/2011	Hughes et al.
D454,309 S	3/2002	Warner et al.	D633,395 S	3/2011	Clark et al.
D458,144 S	6/2002	Trabal	D644,115 S	8/2011	Bonadio
D475,926 S	6/2003	Rusnock et al.	D644,533 S	9/2011	Hall
D489,983 S	5/2004	Futral et al.	D656,405 S	3/2012	Byron
D498,143 S	11/2004	Rashid	D679,605 S	4/2013	Bonadio
			D679,606 S	4/2013	Bonadio
			D701,771 S	4/2014	Hall
			2012/0248003 A1	10/2012	Hunter et al.

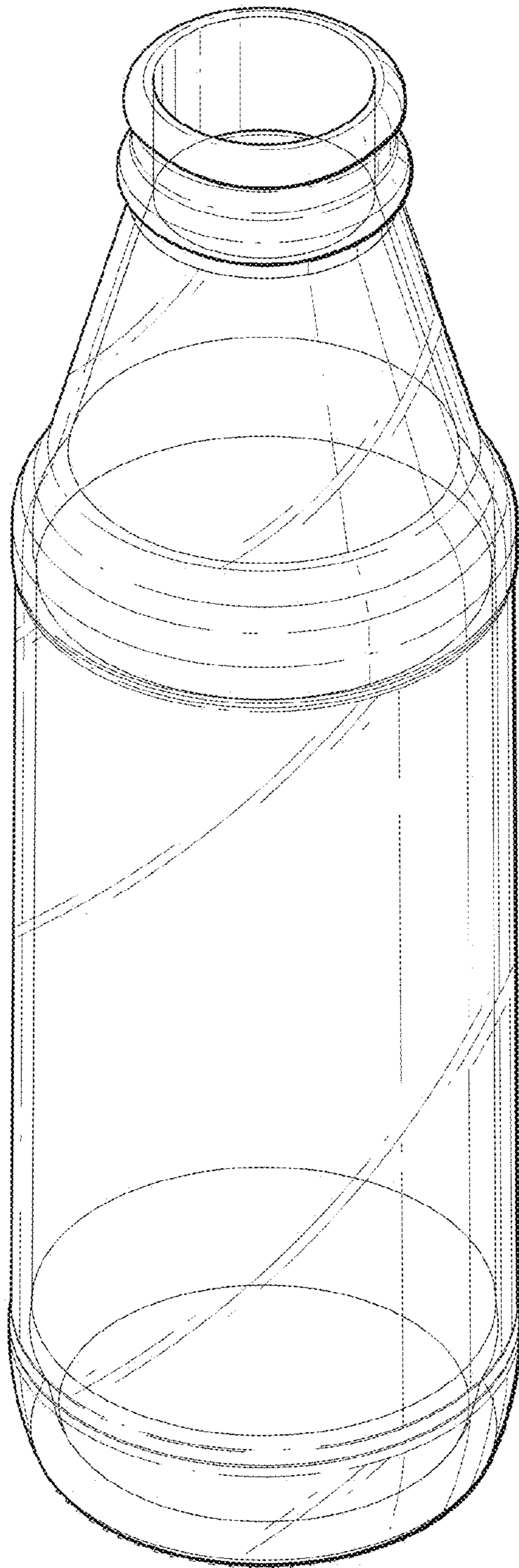


FIG. 1

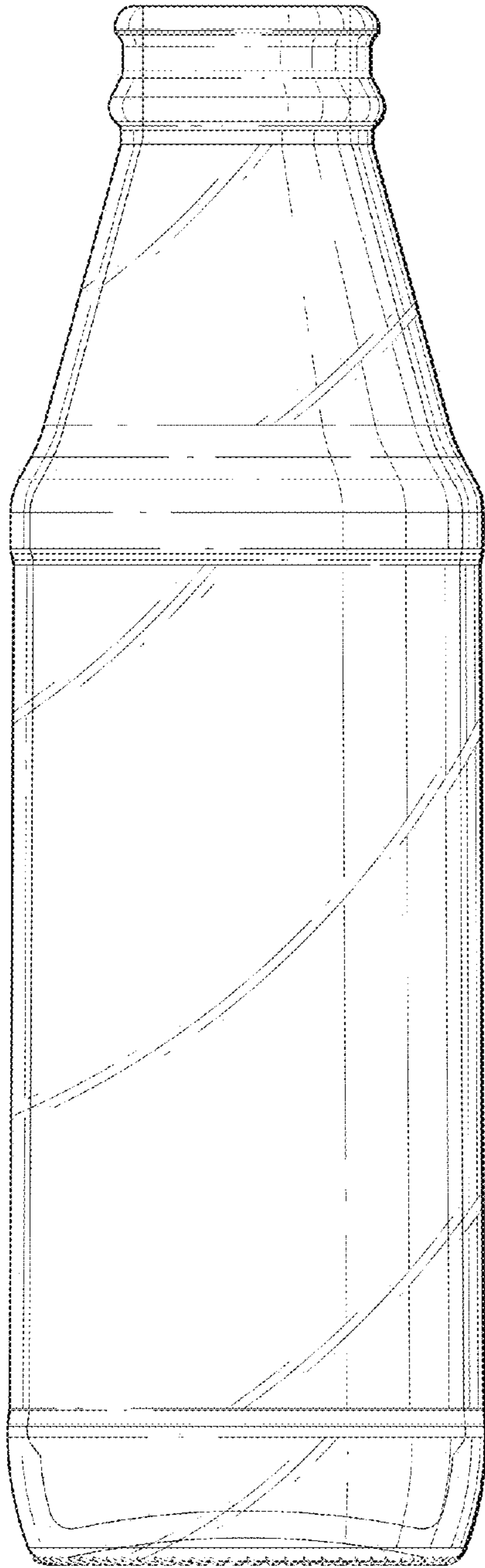


FIG. 2

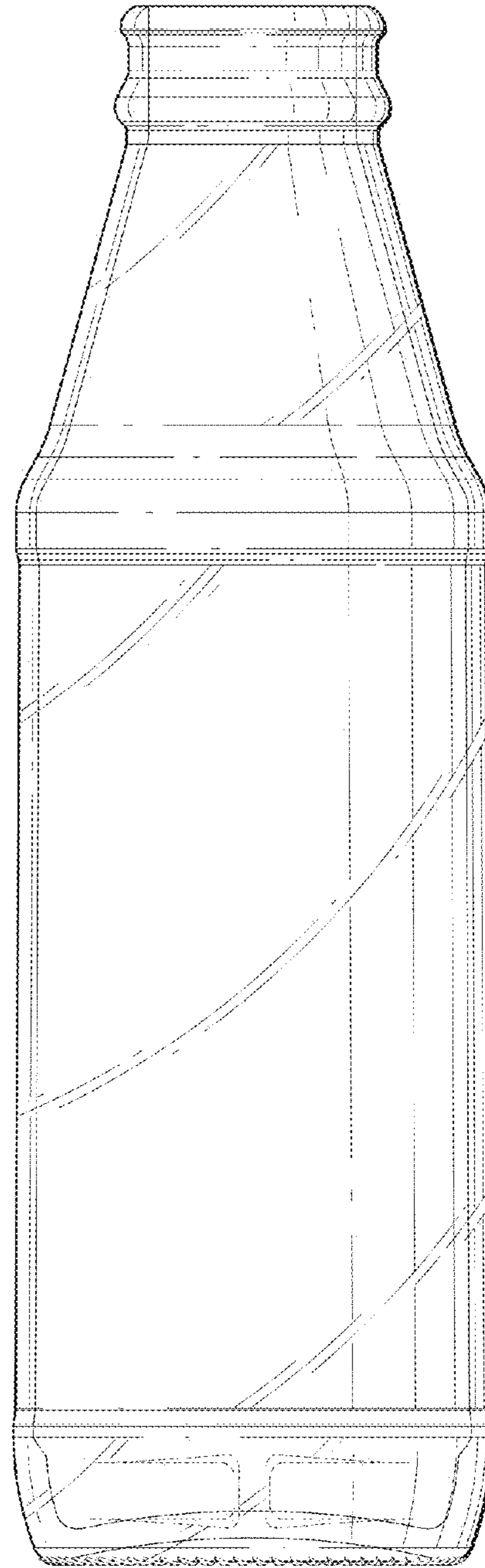


FIG. 3

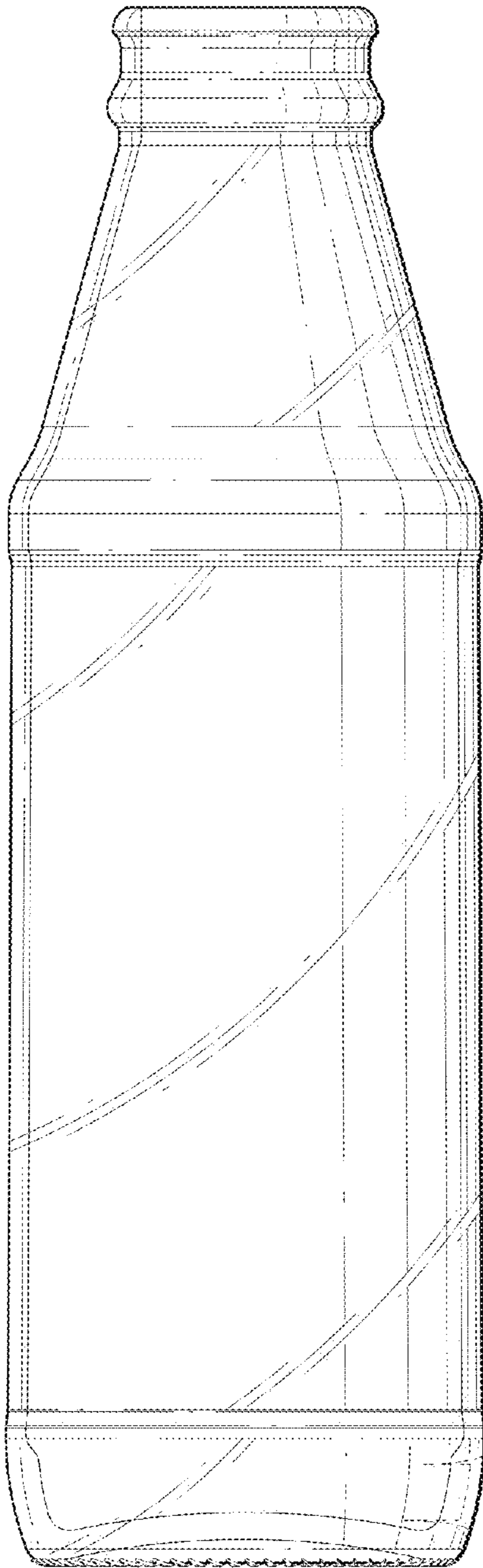


FIG. 4

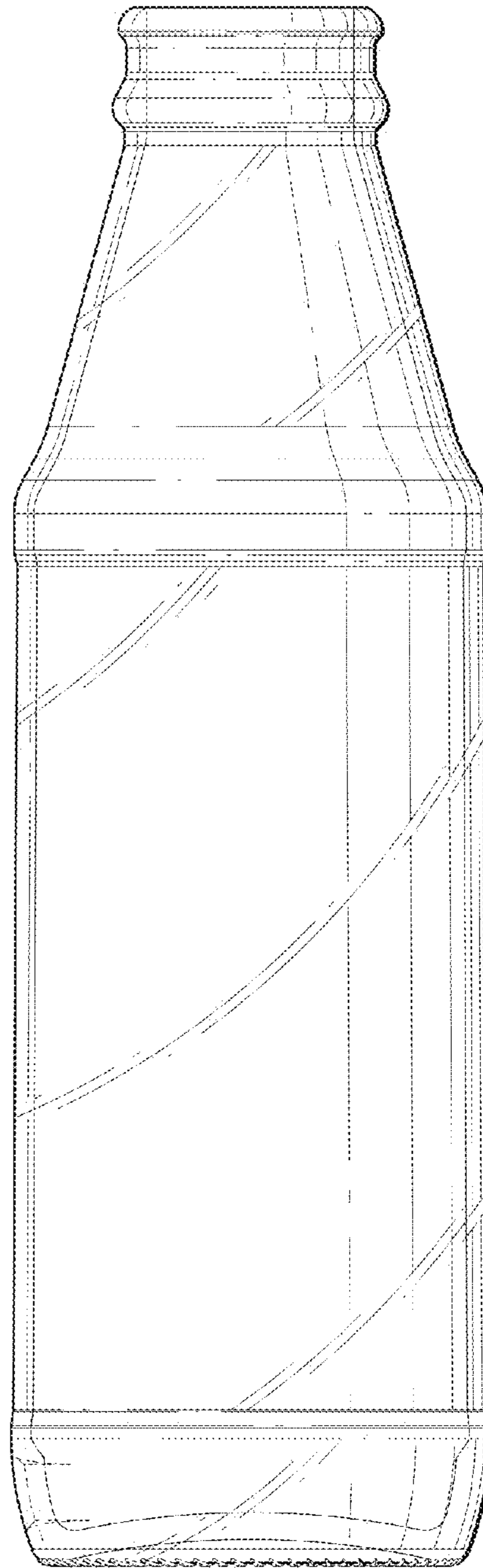


FIG. 5

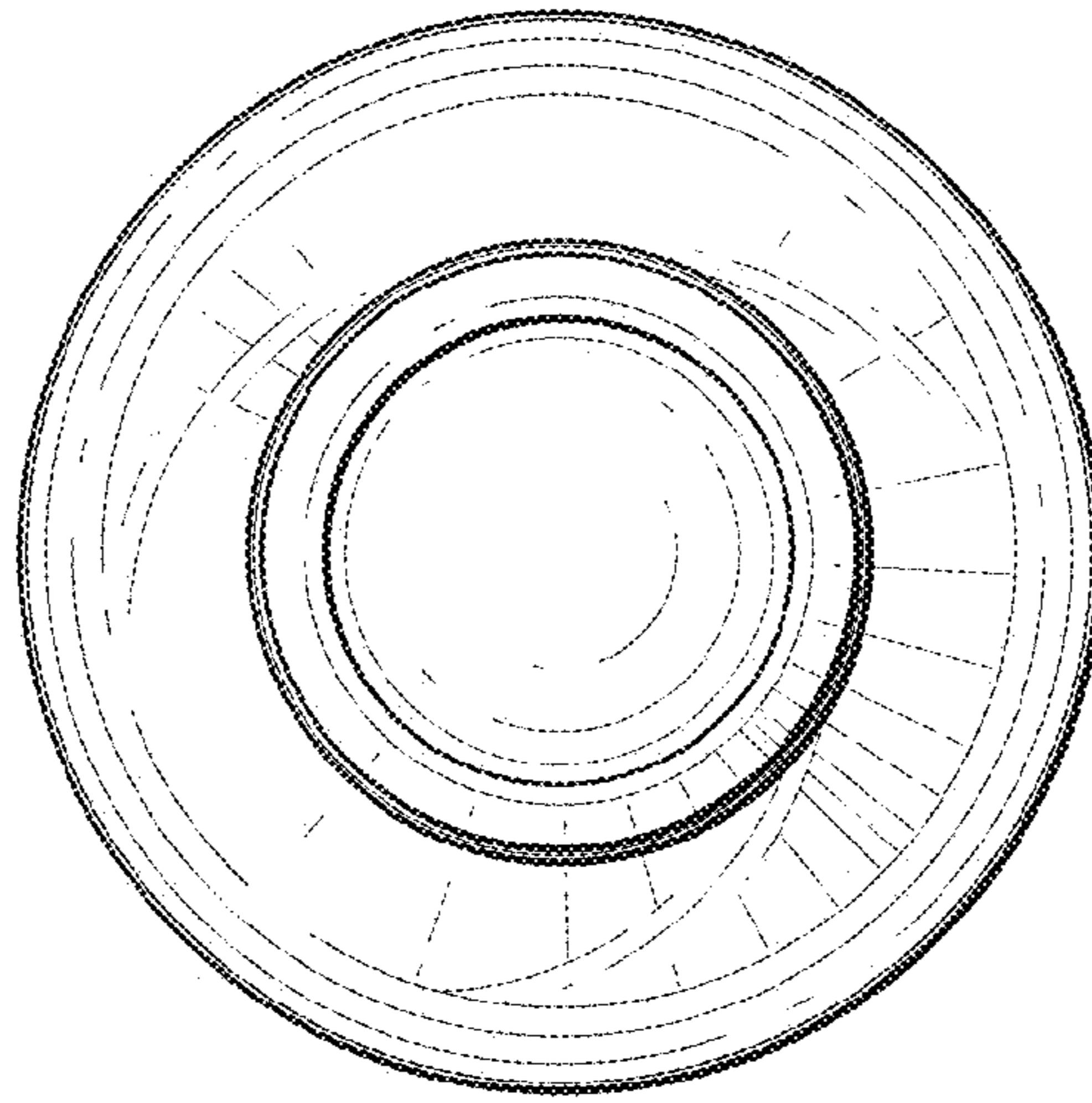


FIG. 6

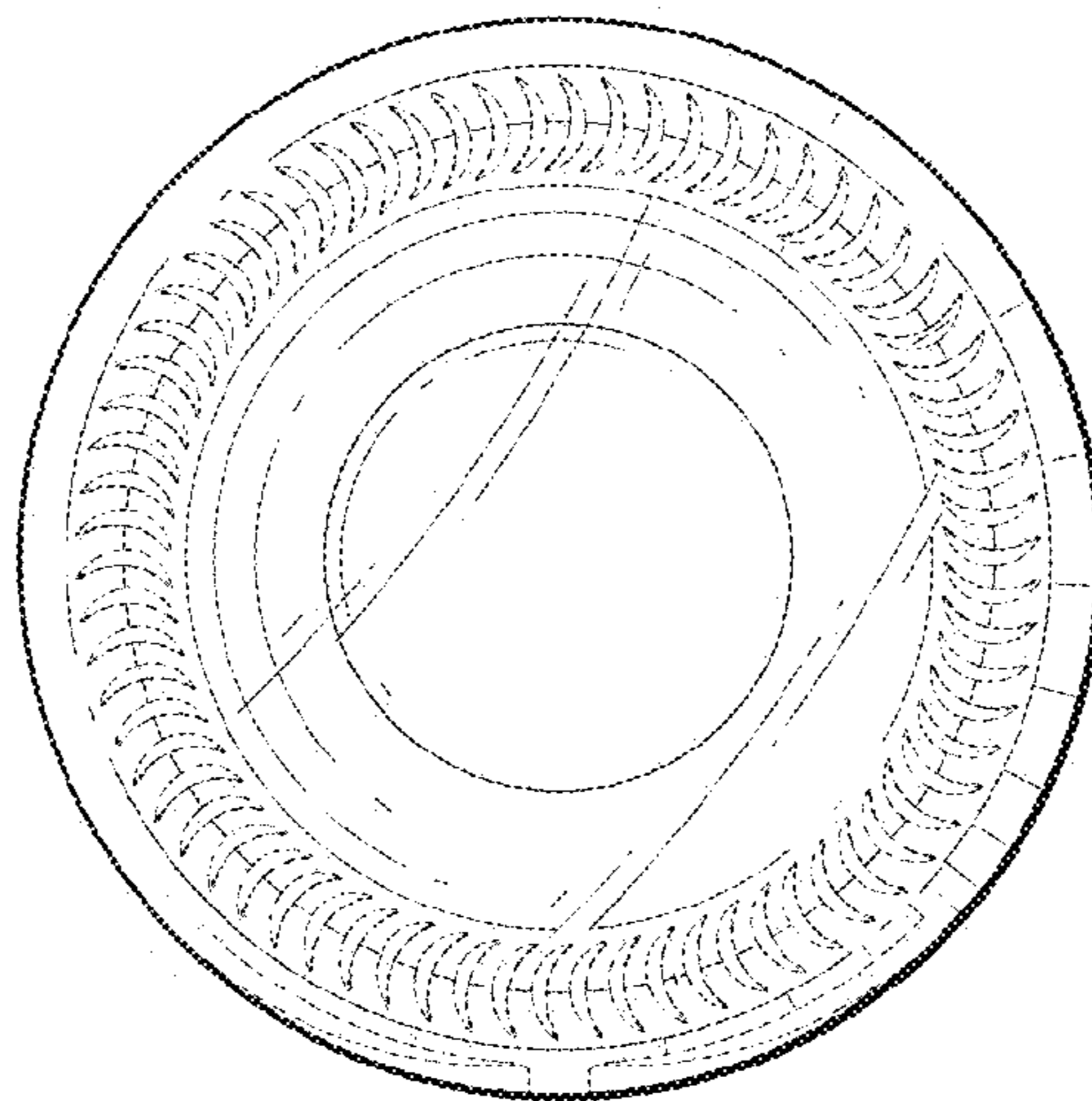


FIG. 7