



US00D742742S

(12) **United States Design Patent**
Kessler

(10) **Patent No.:** **US D742,742 S**
(45) **Date of Patent:** **** Nov. 10, 2015**

(54) **DRINK FLASK CAP INSERT**

(71) Applicant: **ViCap Systems Europe Asia AG**

(72) Inventor: **Hannes Kessler, Koblach (CH)**

(73) Assignee: **VICAP SYSTEMS EUROPE ASIA AG, Baar (CH)**

(**) Term: **14 Years**

(21) Appl. No.: **29/480,489**

(22) Filed: **Jan. 27, 2014**

(30) **Foreign Application Priority Data**

Jul. 26, 2013 (DE) 40 2013 100 761

(51) **LOC (10) Cl.** **09-07**

(52) **U.S. Cl.**

USPC **D9/437**

(58) **Field of Classification Search**

USPC D9/434, 435, 437, 440, 445, 447, 449,
D9/499; D7/392.1, 396.2; 206/219, 222;
215/DIG. 8; 222/83, 145.5

CPC B65D 39/00; B65D 51/28; B65D 51/283;
B65D 51/2835

See application file for complete search history.

(56) **References Cited**

U.S. PATENT DOCUMENTS

4,315,570	A *	2/1982	Silver et al.	206/221
D272,850	S *	2/1984	Kulle	D24/112
4,473,530	A *	9/1984	Villa-Real	422/408
5,027,872	A *	7/1991	Taylor et al.	141/347
5,405,001	A *	4/1995	Lillard	206/221
D490,315	S *	5/2004	Kiser	D9/445
7,870,952	B2 *	1/2011	Fontana	206/222

9,090,387	B2 *	7/2015	Hamway	
2003/0192791	A1 *	10/2003	Eek et al.	206/222
2004/0155061	A1 *	8/2004	Roth et al.	222/145.5

OTHER PUBLICATIONS

“Vicap Manufaktur” video, 2 screencapture pages, dated “1 year ago”, found online Jul. 30, 2015 on vimeo.com, at <https://vimeo.com/89087935>.*

“Vicap Systems Ltd.” video, 2 screencapture pages, dated “4 years ago”, found online Jul. 30, 2015 on vimeo.com, at <https://vimeo.com/16461385>.*

* cited by examiner

Primary Examiner — Robert M Spear

(74) *Attorney, Agent, or Firm* — Andrew Wilford

(57) **CLAIM**

The ornamental design for a drink flask cap insert, as shown and described.

DESCRIPTION

FIG. 1 is a perspective view from above and to the left of the invention;

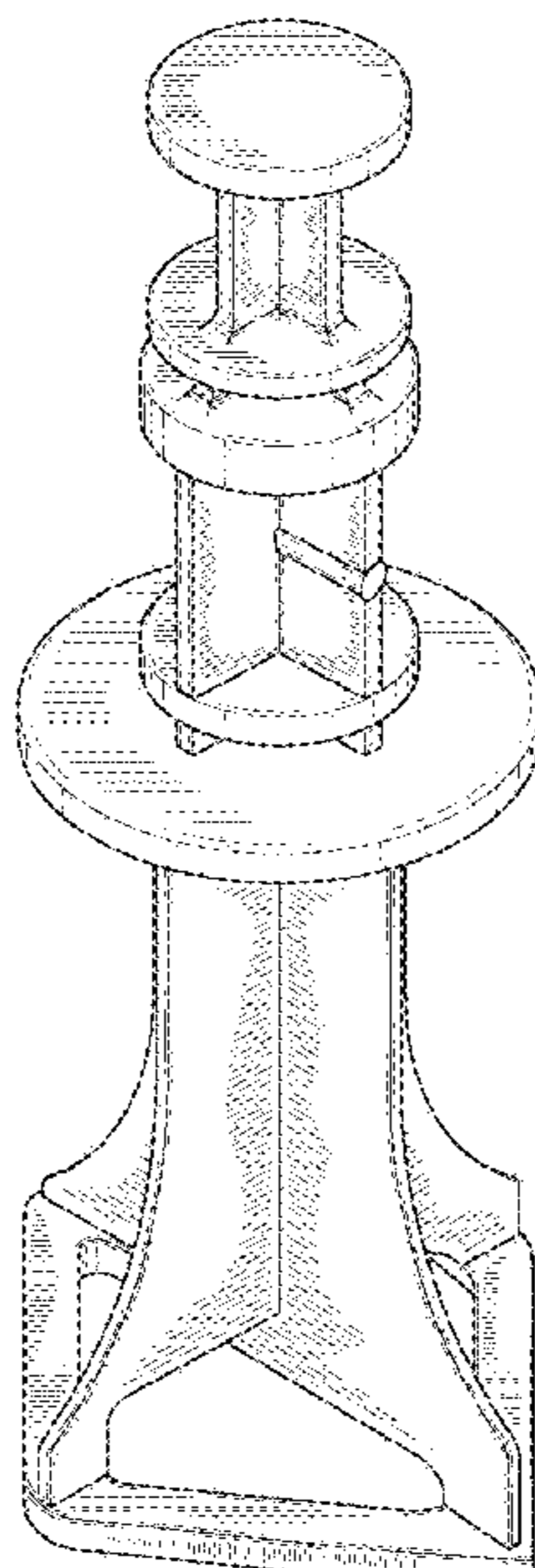
FIG. 2 is a perspective view from below and to the right of the invention;

FIG. 3 is a left-side elevational view of the invention;

FIG. 4 is a back-side elevational view of the invention; and, FIG. 5 is a bottom view of the invention.

As shown at <http://vimeo.com/16461385>, the instant invention is an insert that fits in a cap for a sports bottle or flask. The insert projects upward from the cap and seals a chamber that is formed in the cap and downwardly closed by a metal foil. This chamber holds a flavored syrup, and the cap is intended to be mounted on the threaded neck of a bottle filled with water. Pushing the insert down pierces the metal foil and releases the syrup into the water.

1 Claim, 5 Drawing Sheets



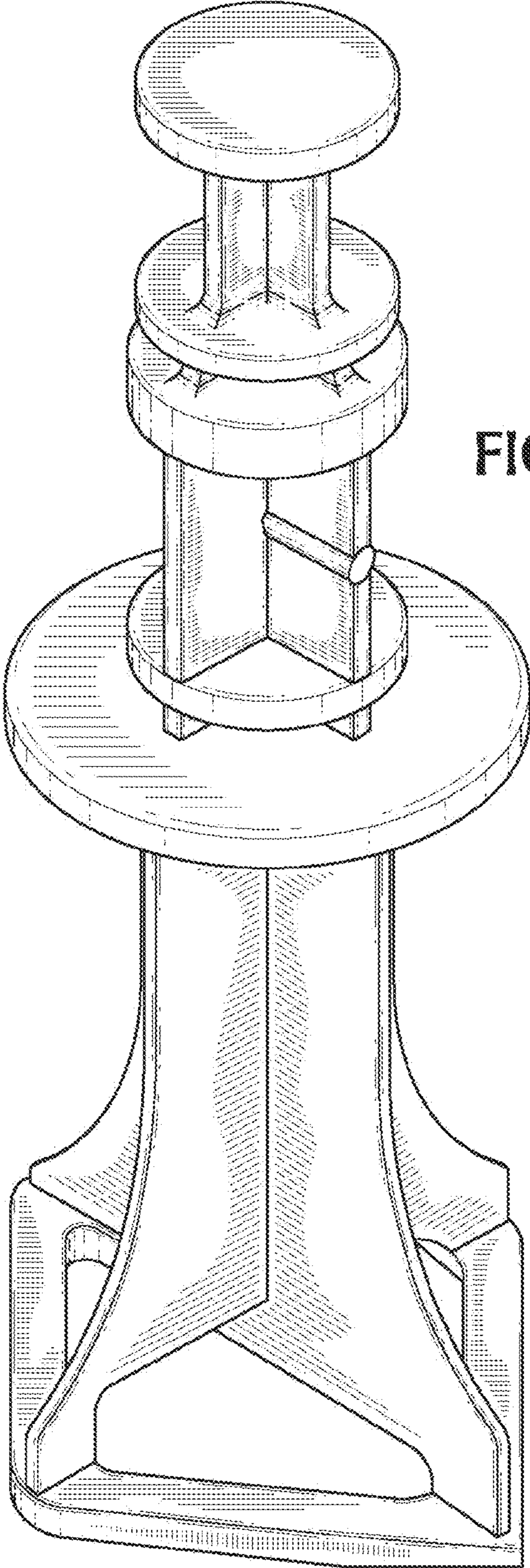


FIG. 1

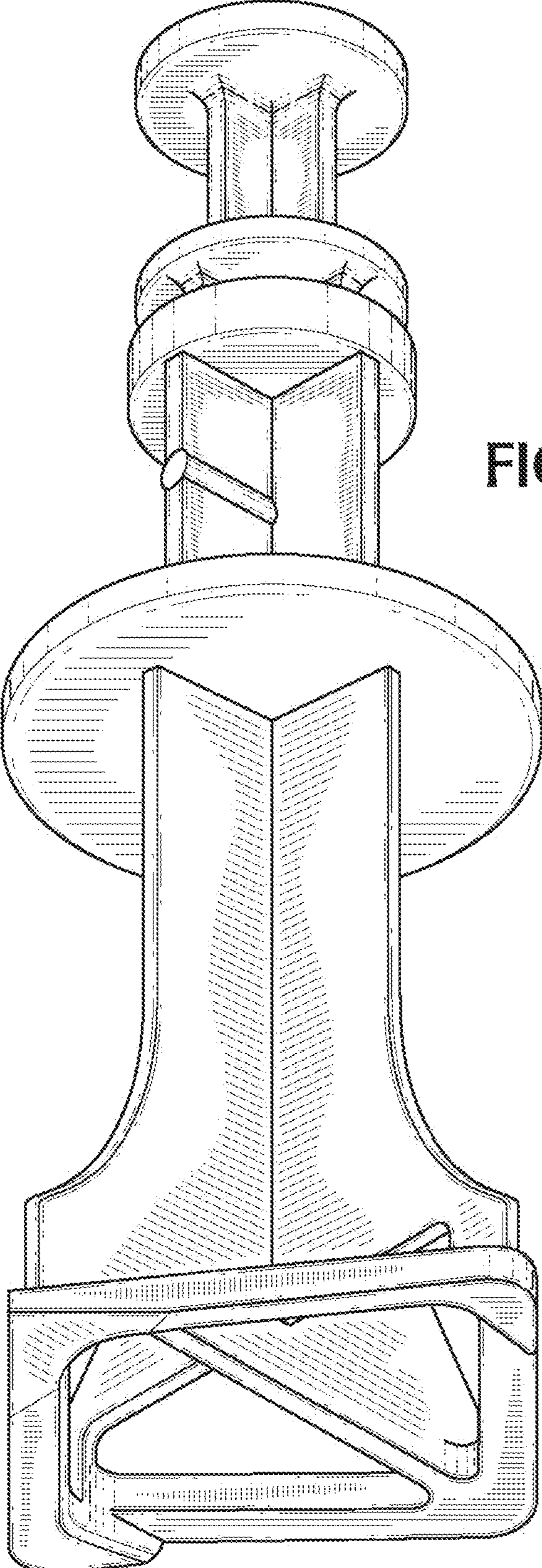


FIG. 2

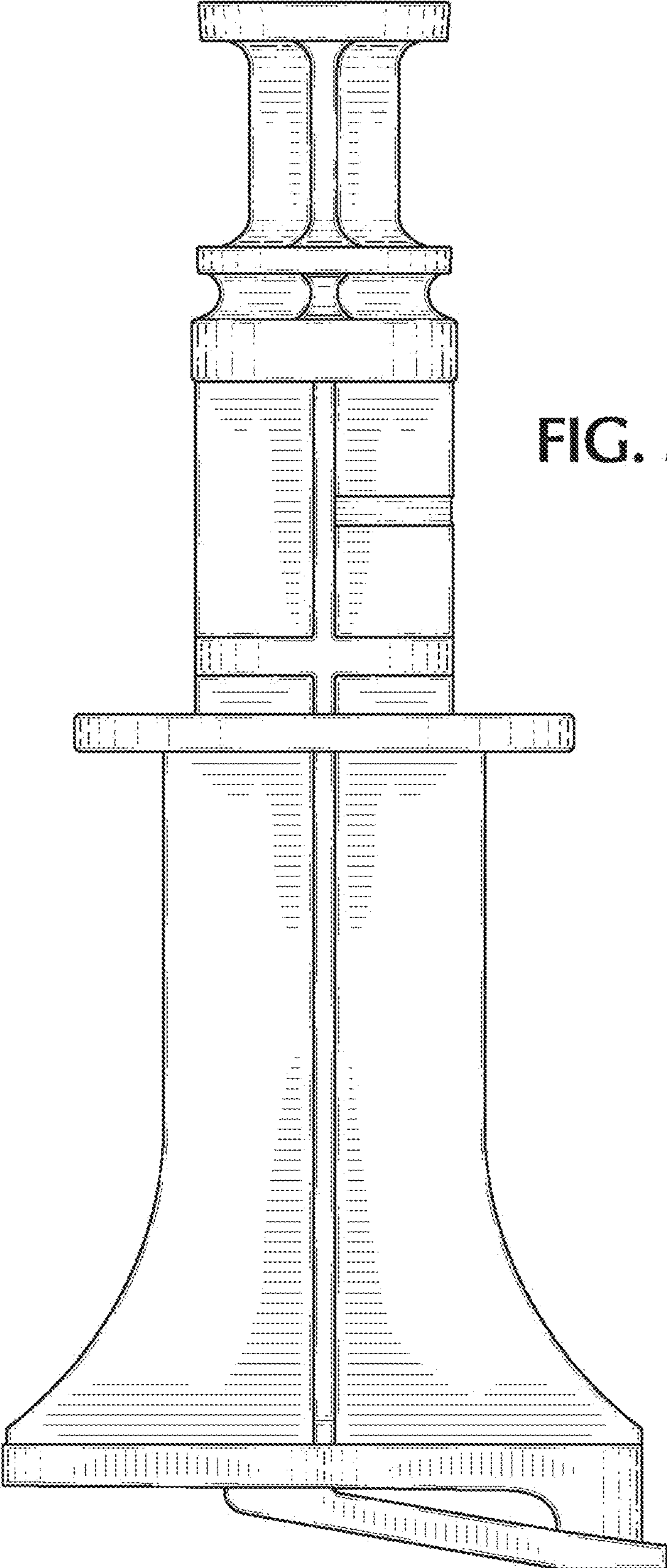


FIG. 3

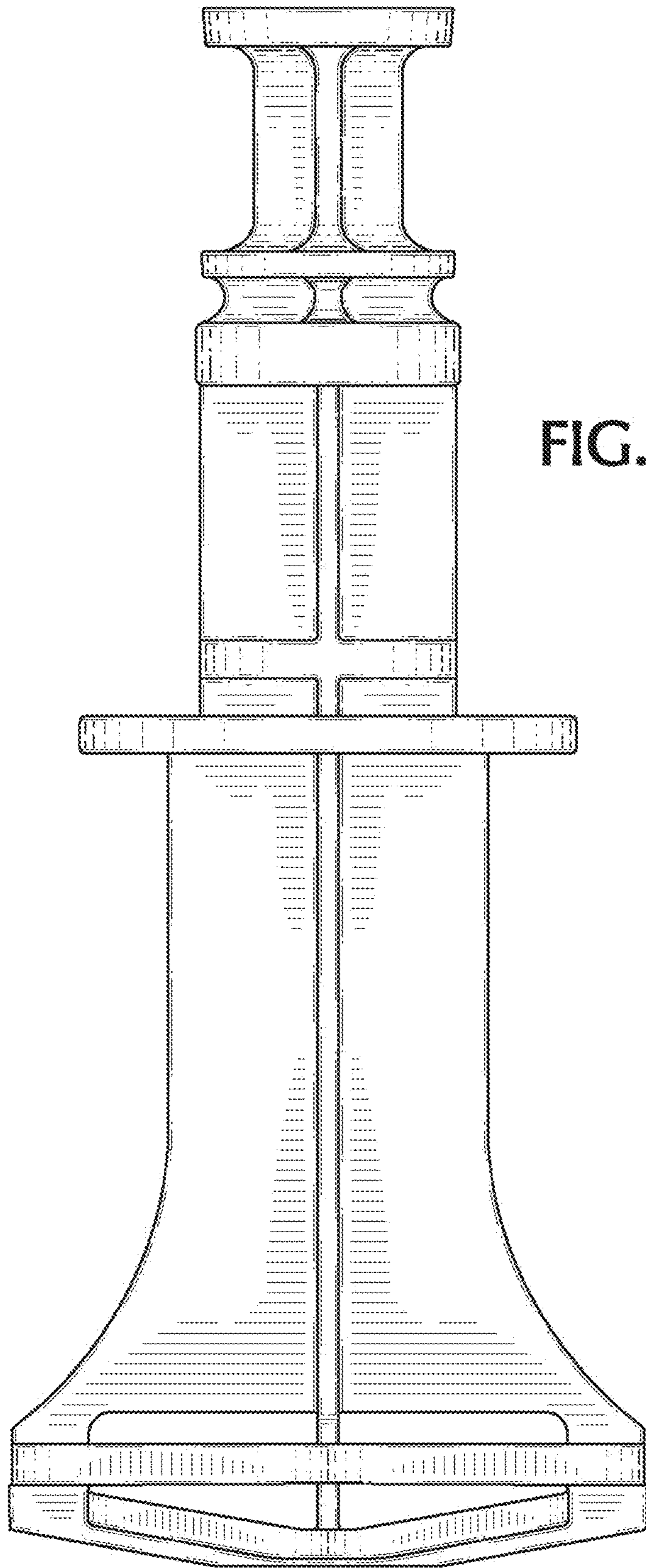


FIG. 4

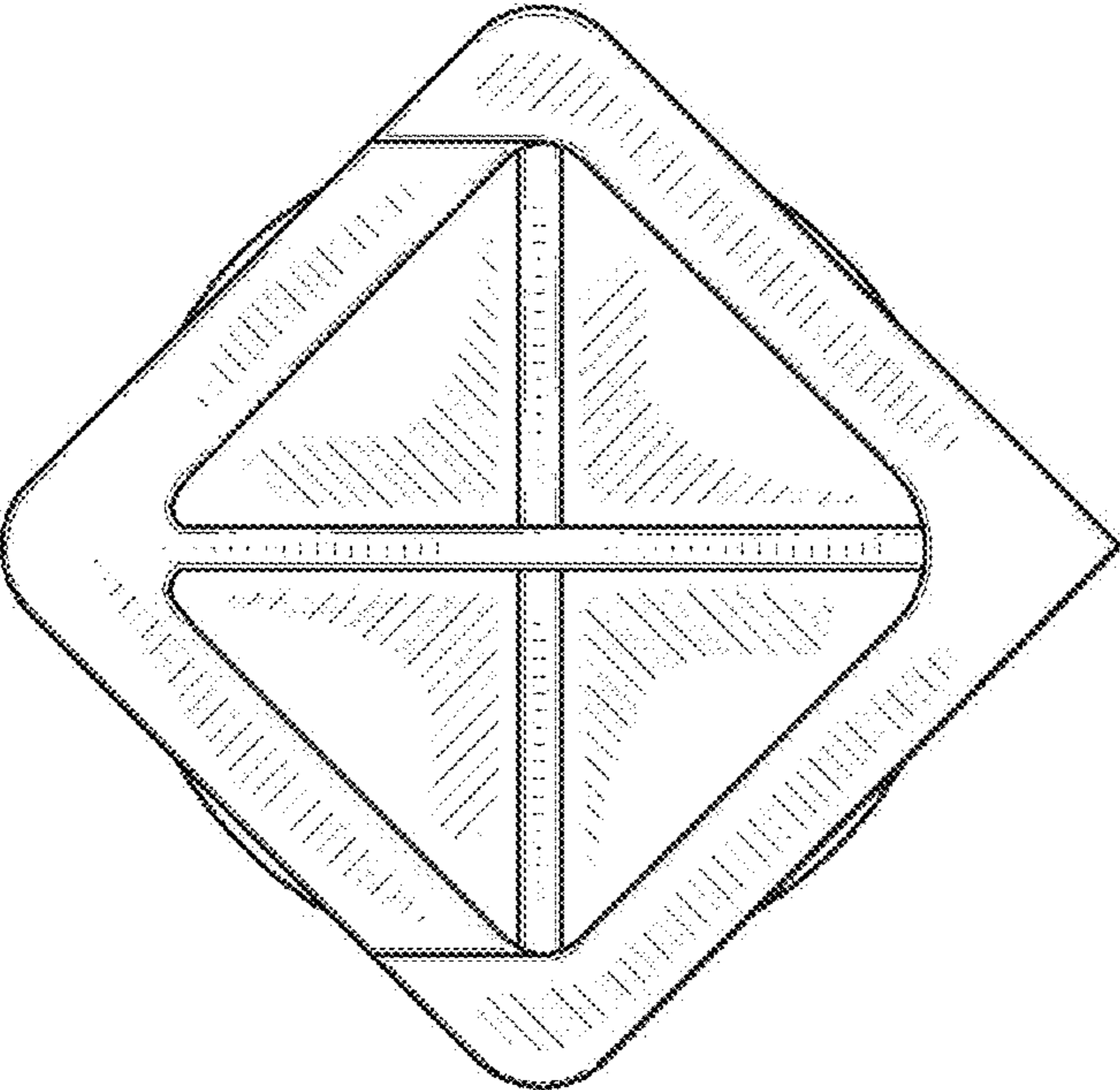


FIG. 5