



US00D742738S

(12) **United States Design Patent**
Kim et al.

(10) **Patent No.:** **US D742,738 S**

(45) **Date of Patent:** **** Nov. 10, 2015**

(54) **PACKING BOX**

(71) Applicant: **KORLOY INC.**, Seoul (KR)

(72) Inventors: **Byoung-Soo Kim**, Seoul (KR);
Yun-Kyoung Kim, Seoul (KR)

(73) Assignee: **KORLOY INC.**, Seoul (KR)

(**) Term: **14 Years**

(21) Appl. No.: **29/466,073**

(22) Filed: **Sep. 4, 2013**

(30) **Foreign Application Priority Data**

Jun. 24, 2013 (KR) 30-2013-0032358

(51) **LOC (10) Cl.** **09-03**

(52) **U.S. Cl.**
USPC **D9/433**

(58) **Field of Classification Search**
USPC D9/600, 700-711, 414-434, 759, 652,
D9/756, 732, 761; D3/304; D7/354, 629,
D7/538, 565, 610
CPC B65D 25/205; B65D 33/004; B65D
21/0202; B65D 5/4204; B65D 83/10; B65D
73/0085

See application file for complete search history.

(56) **References Cited**

U.S. PATENT DOCUMENTS

D129,731 S * 9/1941 Luttrell D9/418
2,801,742 A * 8/1957 Farrell 206/499
4,105,155 A * 8/1978 Forbes, Jr. 229/120
4,243,336 A * 1/1981 McMullan 401/6
D261,728 S * 11/1981 Khula et al. D9/418
D262,945 S * 2/1982 Lytra D9/415
D339,438 S * 9/1993 Moran D9/414
5,375,700 A * 12/1994 Joss et al. 206/734
D381,902 S * 8/1997 Chapman et al. D9/433

D416,487 S * 11/1999 Shapiro D9/432
D416,794 S * 11/1999 Cormack D9/425
D552,984 S * 10/2007 Baron D9/432
D552,987 S * 10/2007 Magnusson D9/432
D584,926 S * 1/2009 Ethier D7/610
D603,700 S * 11/2009 Paredes et al. D9/432
D604,602 S * 11/2009 Kohno D9/418
D648,186 S * 11/2011 Pourian et al. D7/629
D652,295 S * 1/2012 Hipperson et al. D9/433
D664,429 S * 7/2012 Arrigo D9/433
D665,271 S * 8/2012 Halty et al. D9/711
D675,088 S * 1/2013 West D9/418
D690,105 S * 9/2013 Scott D3/304
D710,693 S * 8/2014 Bhasin et al. D9/434
D711,217 S * 8/2014 Jacobs et al. D9/414

(Continued)

Primary Examiner — Susan Bennett Hattan

Assistant Examiner — Brett Miller

(74) *Attorney, Agent, or Firm* — Rabin & Berdo, P.C.

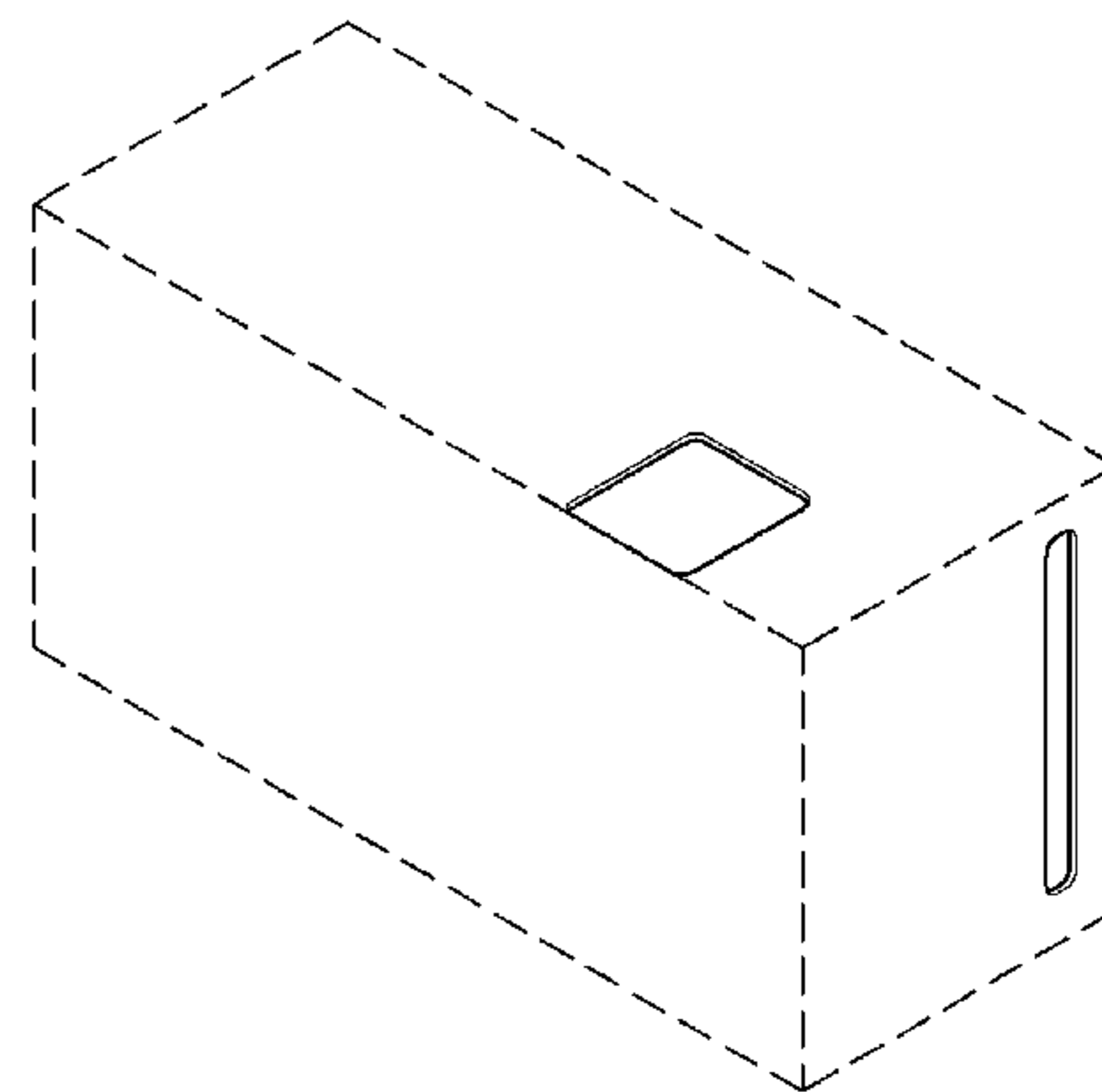
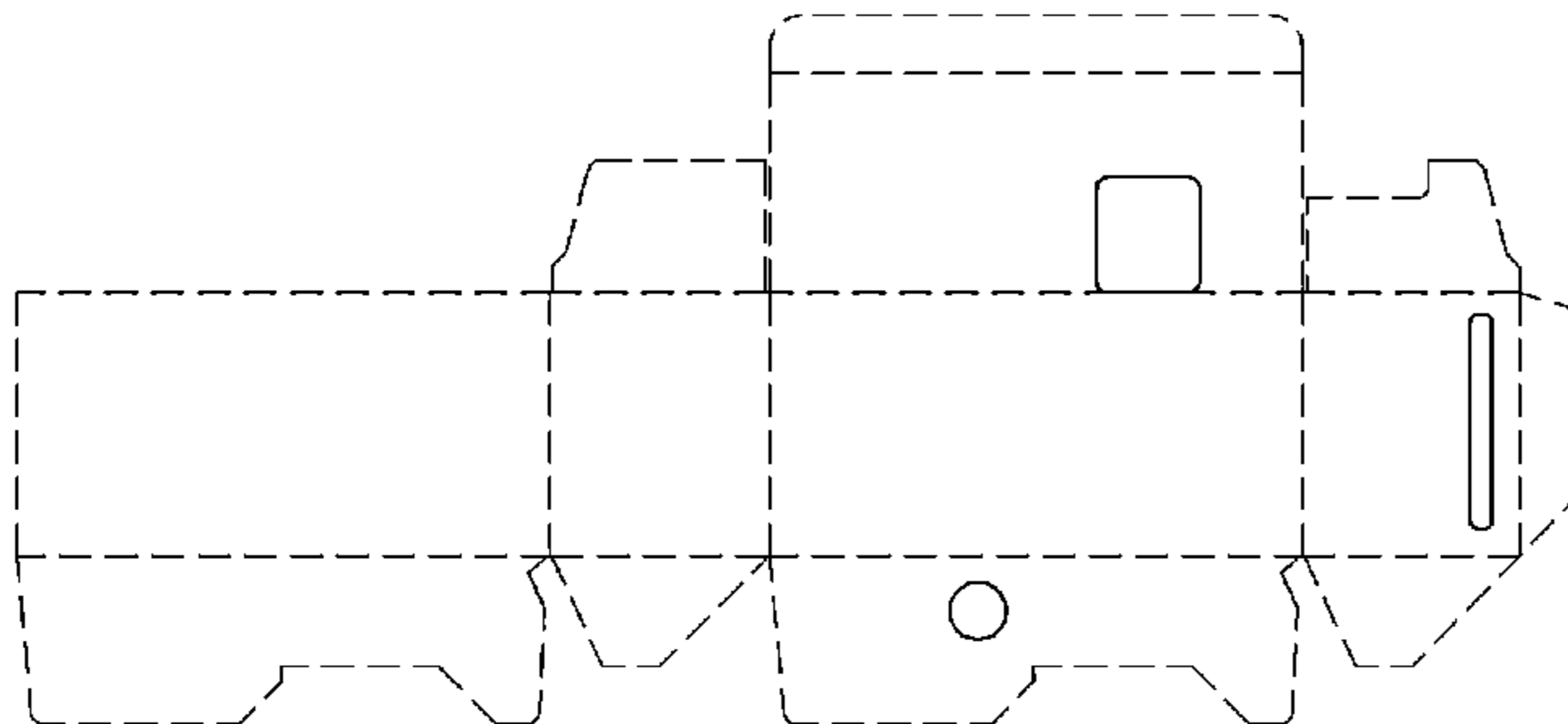
(57) **CLAIM**

The ornamental design for a packing box, as shown and described.

DESCRIPTION

FIG. 1 is a top plan view of a packing box, showing our new design in a flat configuration;
FIG. 2 is a front perspective view of FIG. 1, illustrated in a closed configuration;
FIG. 3 is a rear perspective view of FIG. 1, illustrated in a closed configuration;
FIG. 4 is a front elevational view of FIG. 2;
FIG. 5 is a rear elevational view of FIG. 2;
FIG. 6 is a left side elevational view of FIG. 2;
FIG. 7 is a right side elevational view of FIG. 2;
FIG. 8 is a top plan view of FIG. 2; and,
FIG. 9 is a bottom plan view of FIG. 2.
The broken lines depict unclaimed portions of the packing box. None of the broken lines form a part of the claimed design.

1 Claim, 4 Drawing Sheets



US D742,738 S

Page 2

(56)

References Cited

U.S. PATENT DOCUMENTS

D711,365 S *	8/2014	Miles	D9/418	D731,304 S *	6/2015	Bischoff et al.	D9/425
D711,738 S *	8/2014	Scott	D9/434	2002/0106624 A1 *	8/2002	Chan	434/393
D723,022 S *	2/2015	Miles	D9/418	2006/0186184 A1 *	8/2006	Jourdain	229/113
D724,940 S *	3/2015	Kim et al.	D9/433	2009/0297741 A1 *	12/2009	Oshita et al.	428/34.2
					2011/0068158 A1 *	3/2011	Moglia et al.	229/127

* cited by examiner

FIG. 1

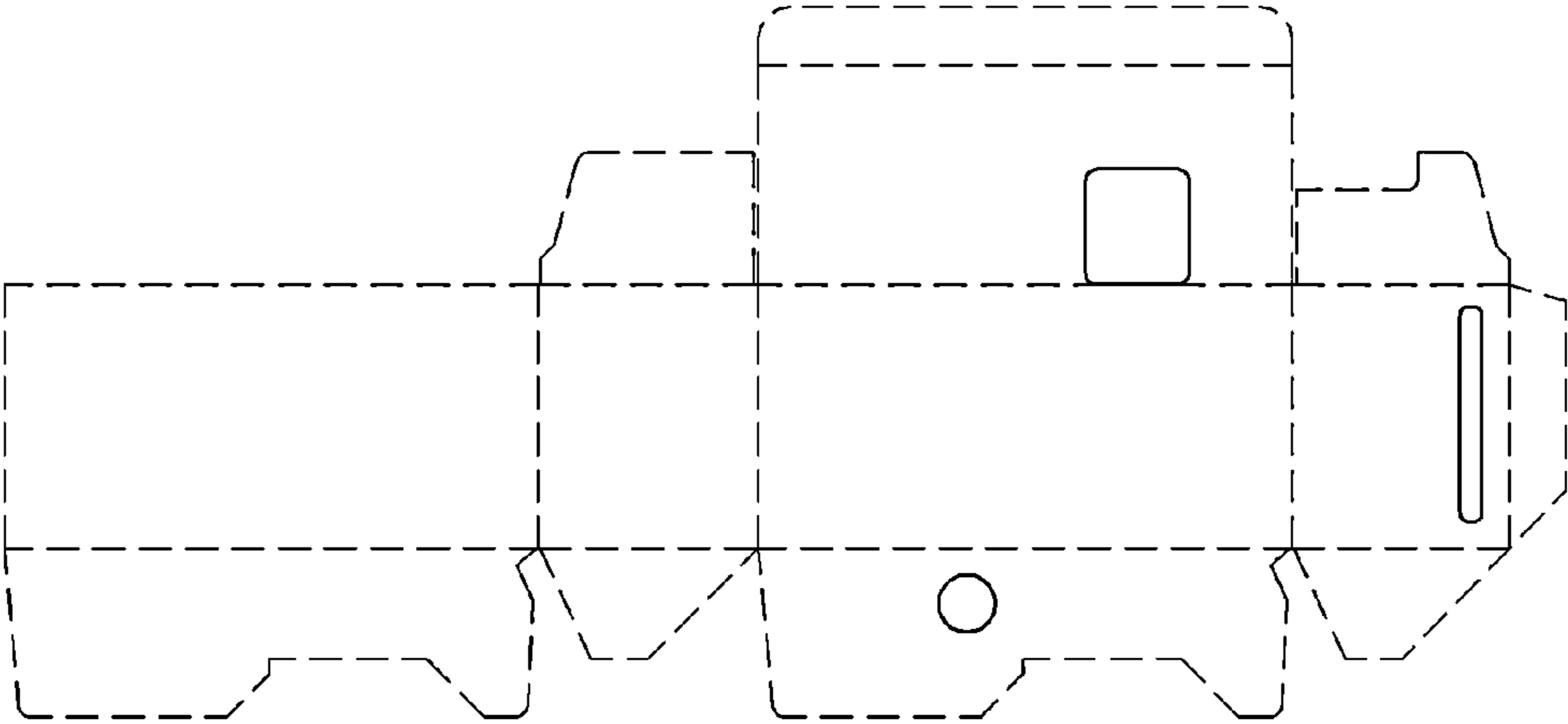


FIG. 2

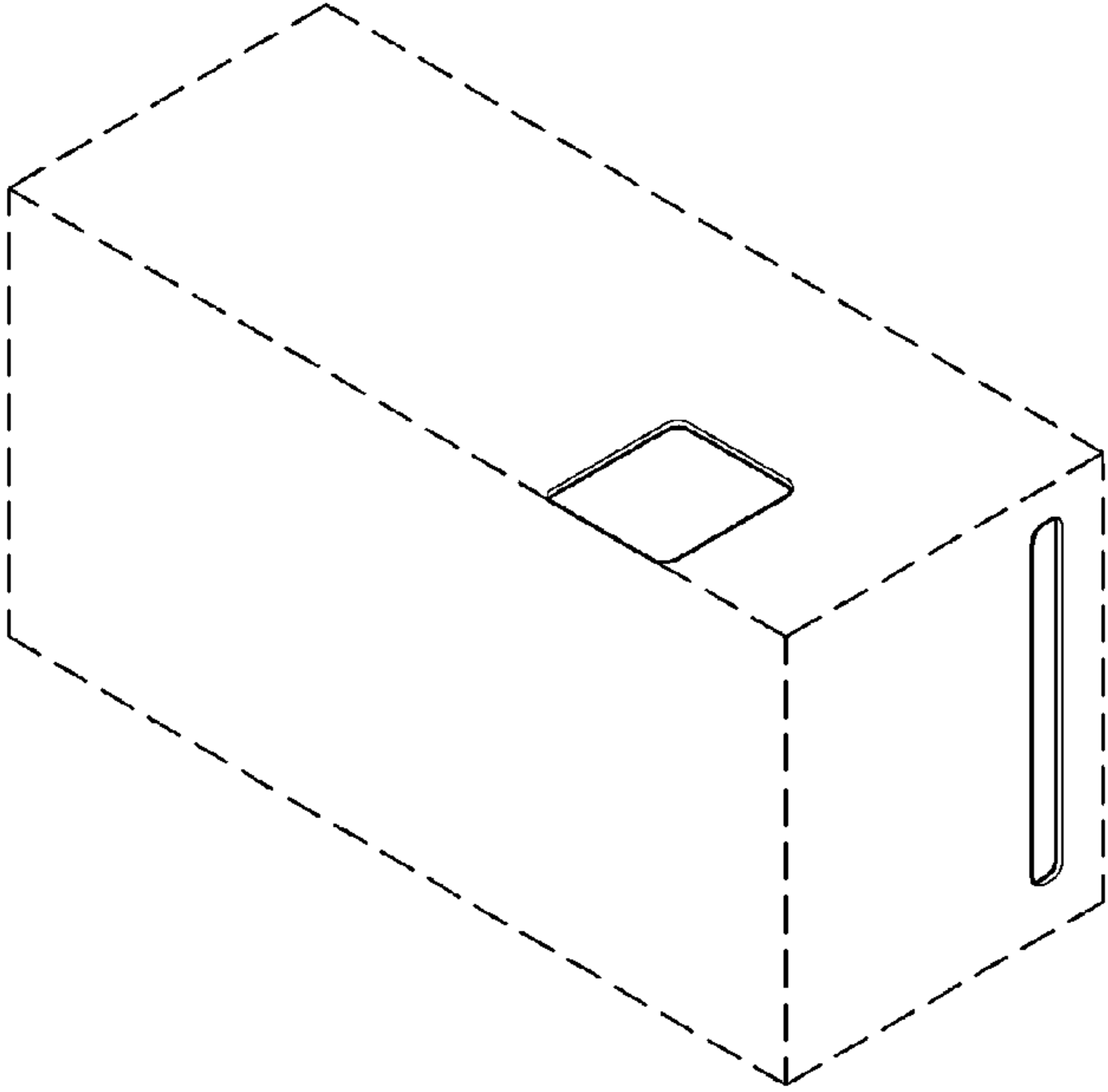


FIG. 3

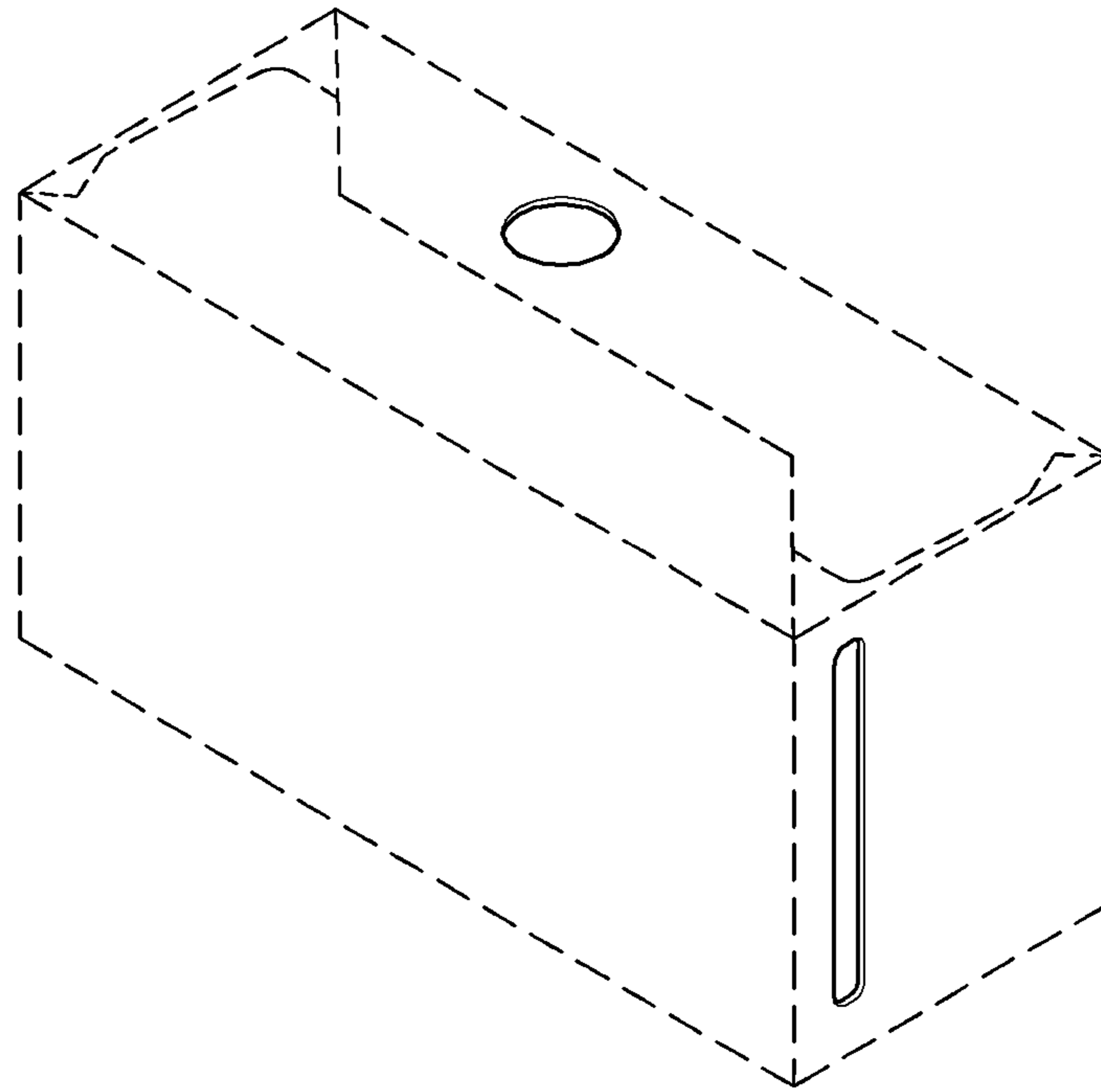


FIG. 4



FIG. 5



FIG. 6

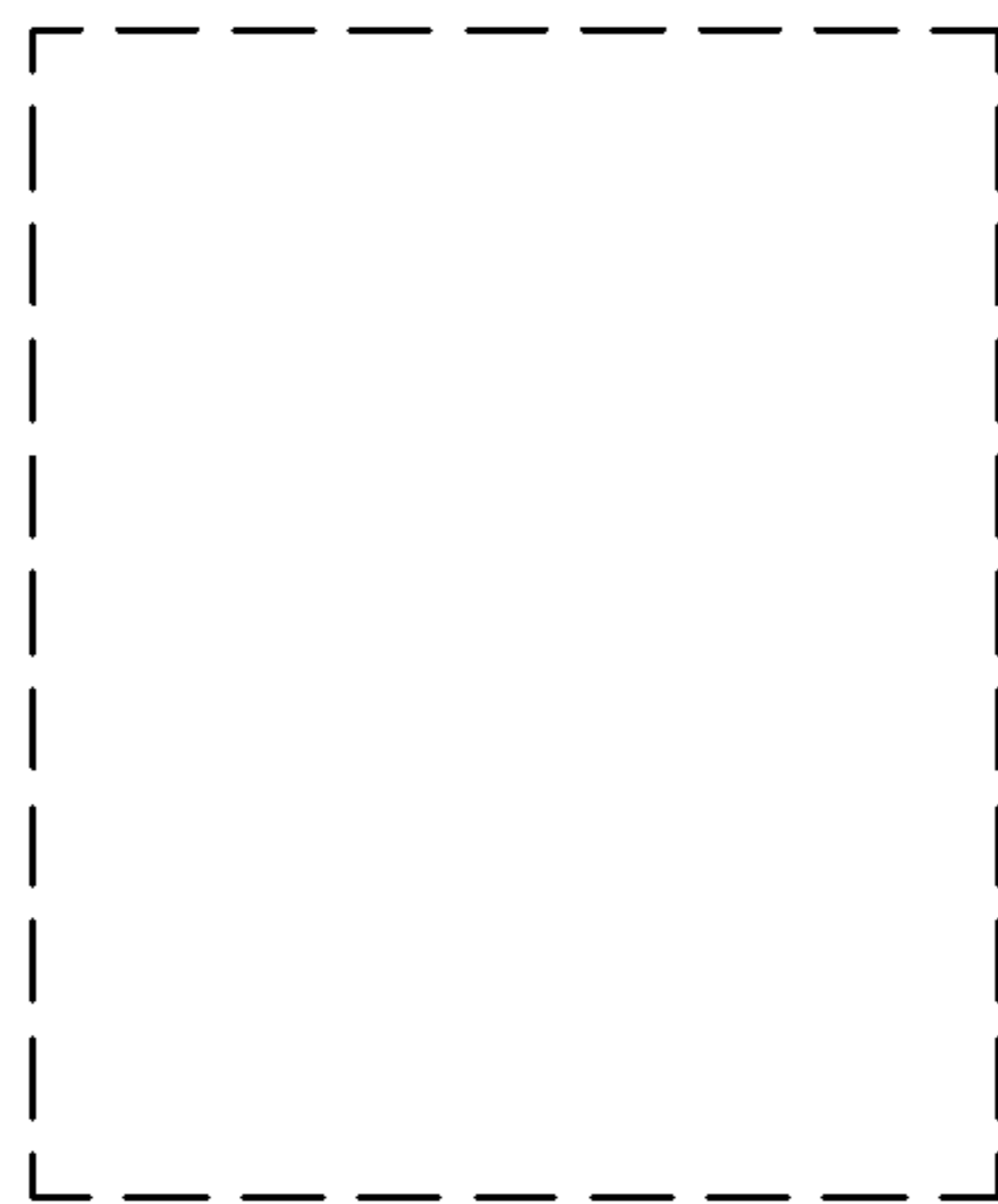


FIG. 7

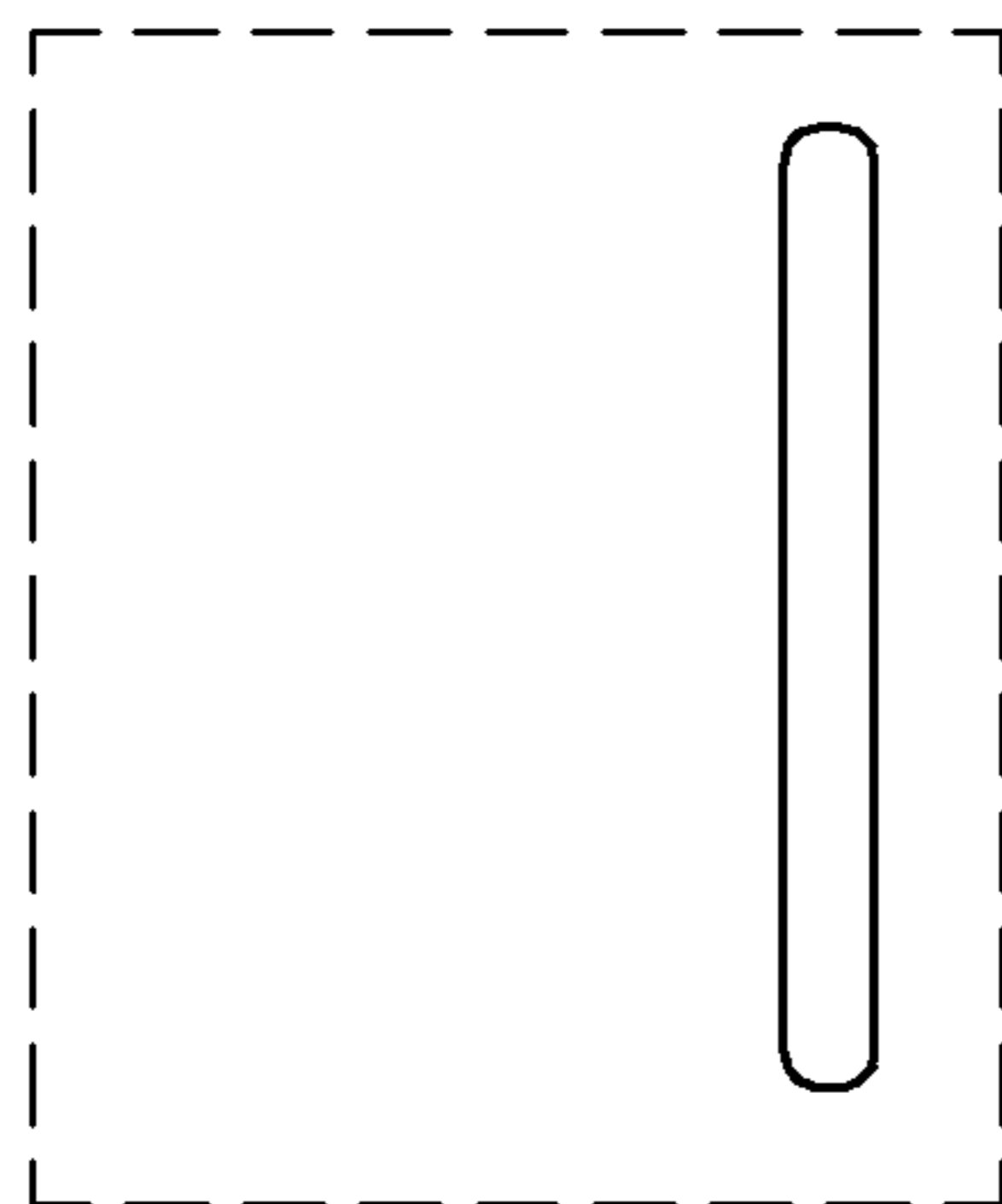


FIG. 8

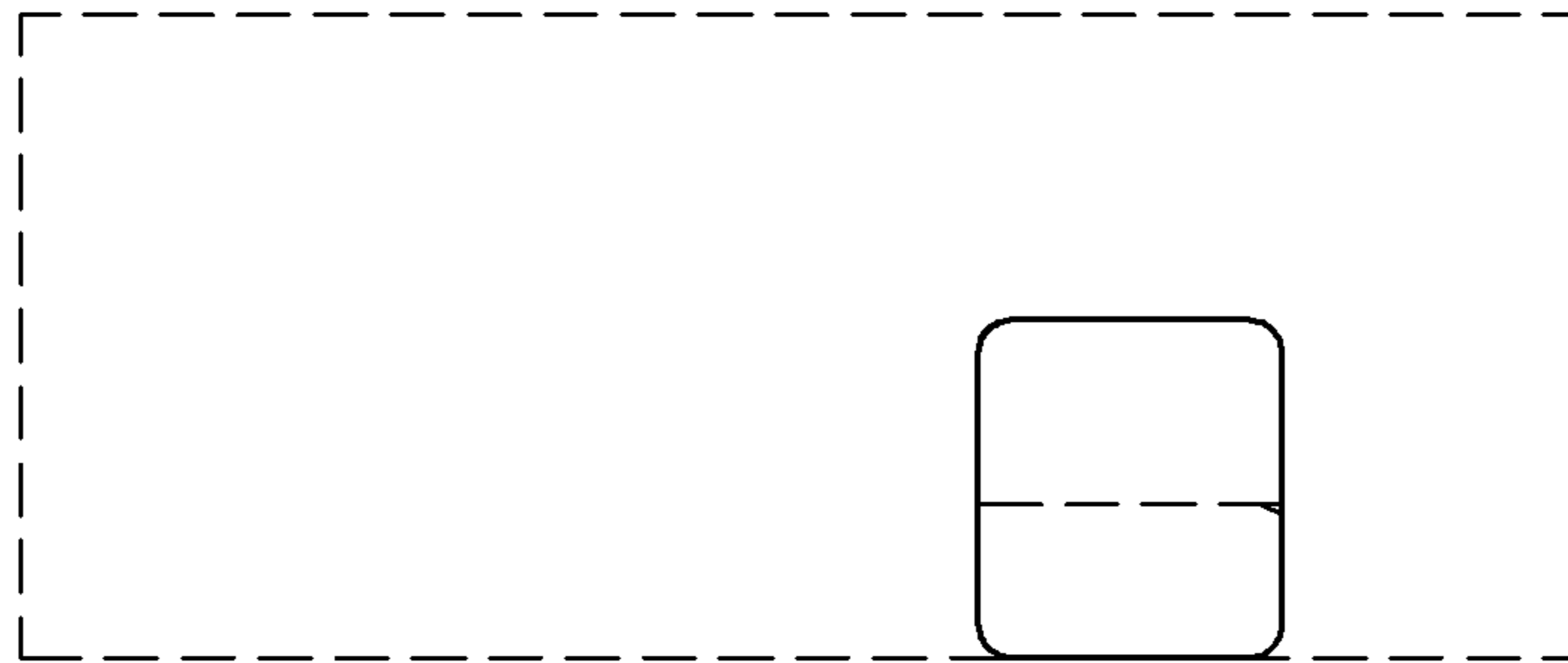


FIG. 9

