



US00D742737S

(12) **United States Design Patent**
Huang

(10) **Patent No.:** **US D742,737 S**

(45) **Date of Patent:** **** Nov. 10, 2015**

(54) **CONTAINER**

(56) **References Cited**

(71) Applicant: **HUNG TAI PACKING DESIGN CO., LTD.**, Kaohsiung (TW)

U.S. PATENT DOCUMENTS

(72) Inventor: **Shou-Chi Huang**, Kaohsiung (TW)

D235,195	S	*	5/1975	Sauvey et al.	D3/294
D284,253	S	*	6/1986	Carlson	D7/629
D284,944	S	*	8/1986	Carlson	D9/425
4,892,220	A	*	1/1990	Foos	220/835
5,036,997	A	*	8/1991	May et al.	220/832
D330,161	S	*	10/1992	Schuh	D9/423
D367,609	S	*	3/1996	Frank et al.	D9/425
D384,502	S	*	10/1997	Seager et al.	D3/294
5,785,179	A	*	7/1998	Buczynski et al.	206/494
D421,901	S	*	3/2000	Hill	D9/423
D452,374	S	*	12/2001	Kim	D3/302
6,609,633	B1	*	8/2003	Dyble et al.	220/840
D481,910	S	*	11/2003	Kim	D7/629
D484,367	S	*	12/2003	Kim	D7/629
D500,227	S	*	12/2004	Seok	D7/392.1
D516,376	S	*	3/2006	Kim	D7/392.1
D517,311	S	*	3/2006	Kim	D3/218
D521,812	S	*	5/2006	Kim	D7/629
D528,357	S	*	9/2006	Hsu	D7/392.1

(73) Assignee: **Hung Tai Packing Design Co., Ltd.**, Kaohsiung (TW)

(**) Term: **14 Years**

(21) Appl. No.: **29/495,880**

(22) Filed: **Jul. 7, 2014**

(51) **LOC (10) Cl.** **09-03**

(52) **U.S. Cl.**
USPC **D9/425**

(58) **Field of Classification Search**

USPC D9/414, 415, 416, 419, 420, 421, 422, D9/423, 424, 425, 426, 427, 428, 429, 432, D9/454, 457, 652, 667, 721, 904; D7/619.1; 229/400, 401, 403, 404, 229/405, 406, 407, 779; 220/592.16, 220/656-659, 662, 665, 669-675, 220/4.21-4.27; 206/214, 217, 431, 503, 206/514, 521.1, 528, 530, 557, 564, 775, 206/776, 779

CPC A47J 36/06; A47J 47/14; B65D 1/22; B65D 1/34; B65D 1/40; B65D 1/165; B65D 15/02; B65D 21/083; B65D 21/0233; B65D 21/0234; B65D 43/0162; B65D 71/50; B65D 77/24; B65D 77/245; B65D 81/3869; B65D 2543/00046; B65D 2543/00083; B65D 2543/00092; B65D 2543/00296; B65D 3/06; B65D 3/28; B65D 5/4204; B65D 7/46; B65D 85/34; B21D 51/18; B21D 51/2646

See application file for complete search history.

* cited by examiner

Primary Examiner — Karen S Acker

Assistant Examiner — Wendy Arminio

(74) *Attorney, Agent, or Firm* — Rosenberg, Klein & Lee

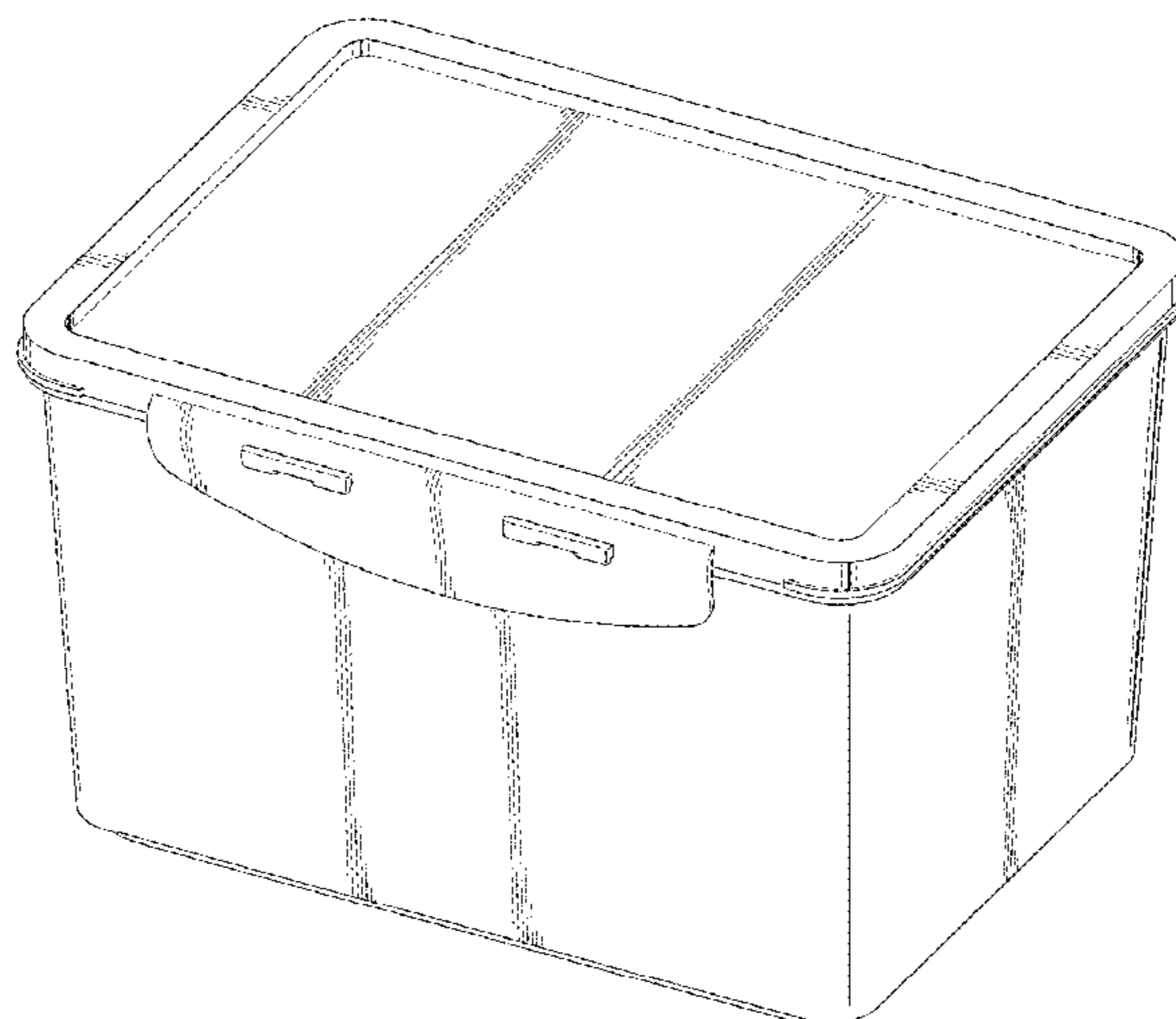
(57) **CLAIM**

The ornamental design for a container, as shown and described.

DESCRIPTION

FIG. 1 is a perspective view of a container showing my new design;
 FIG. 2 is a front elevational view thereof;
 FIG. 3 is a rear elevational view thereof;
 FIG. 4 is a left side elevational view thereof;
 FIG. 5 is a right side elevational view thereof;
 FIG. 6 is a top plan view thereof; and,
 FIG. 7 is a bottom plan view thereof.
 The broken lines shown in FIG. 3 depict portions of the container that form no part of the claimed design.

1 Claim, 7 Drawing Sheets



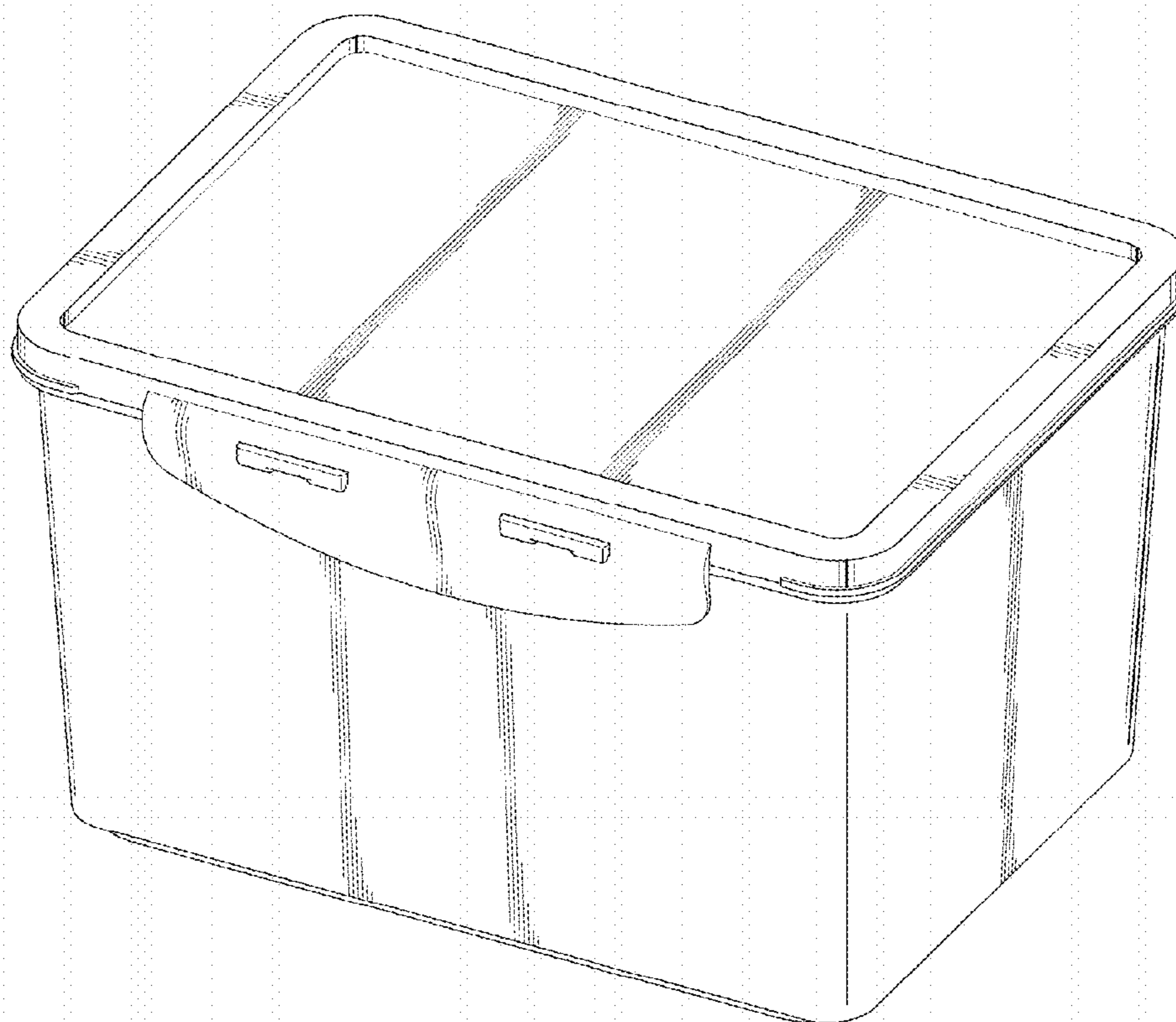


FIG. 1

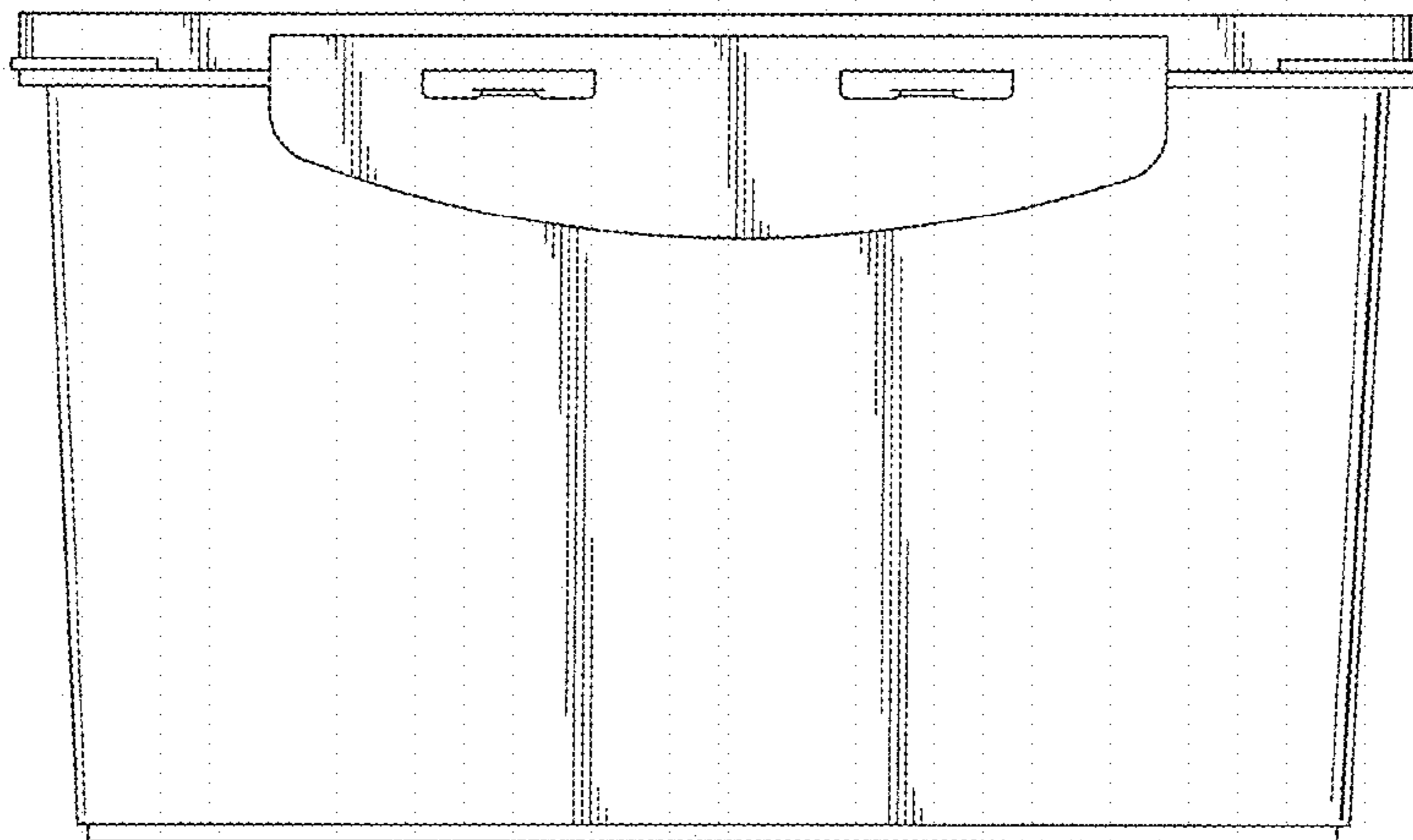


FIG. 2

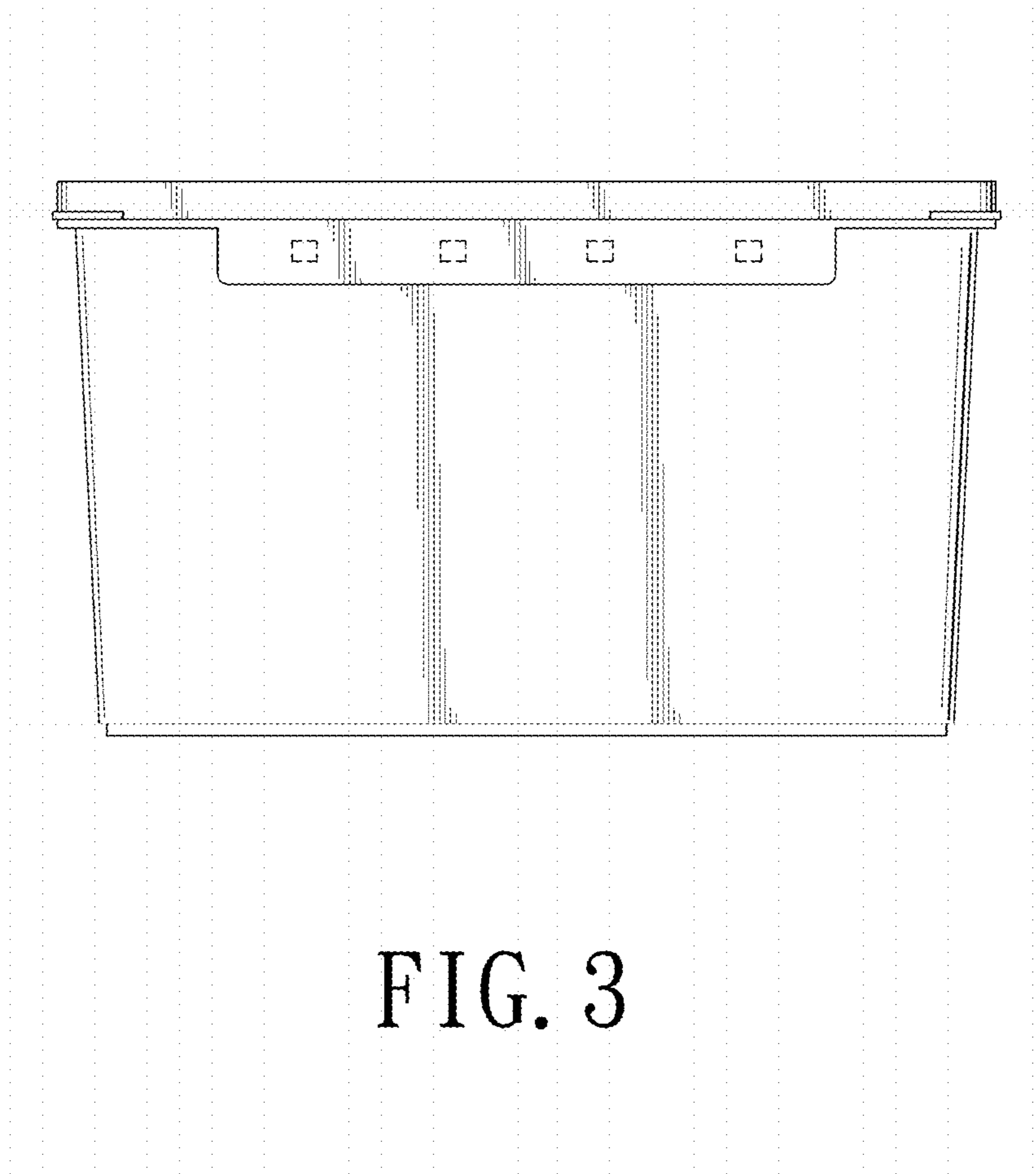


FIG. 3

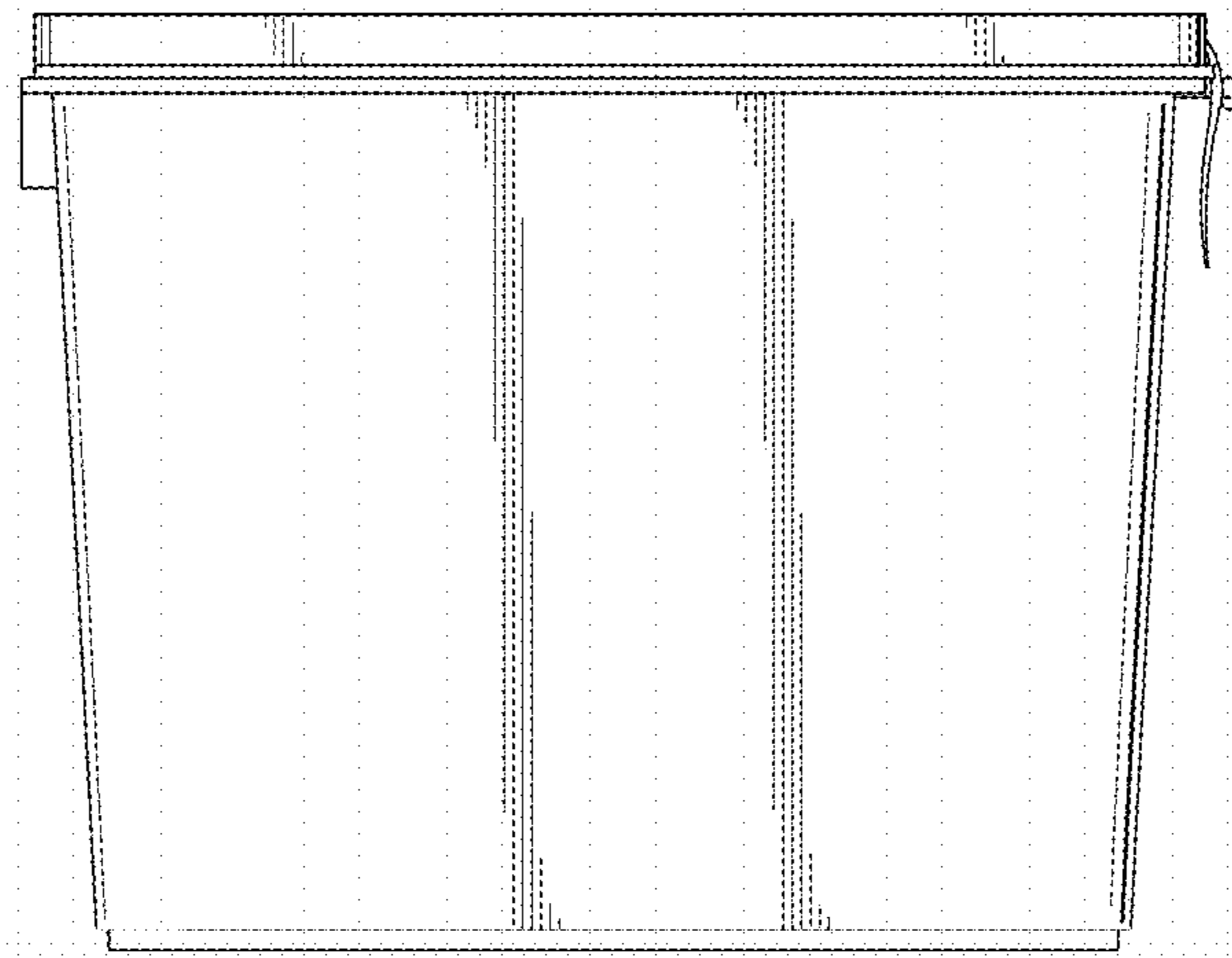


FIG. 4

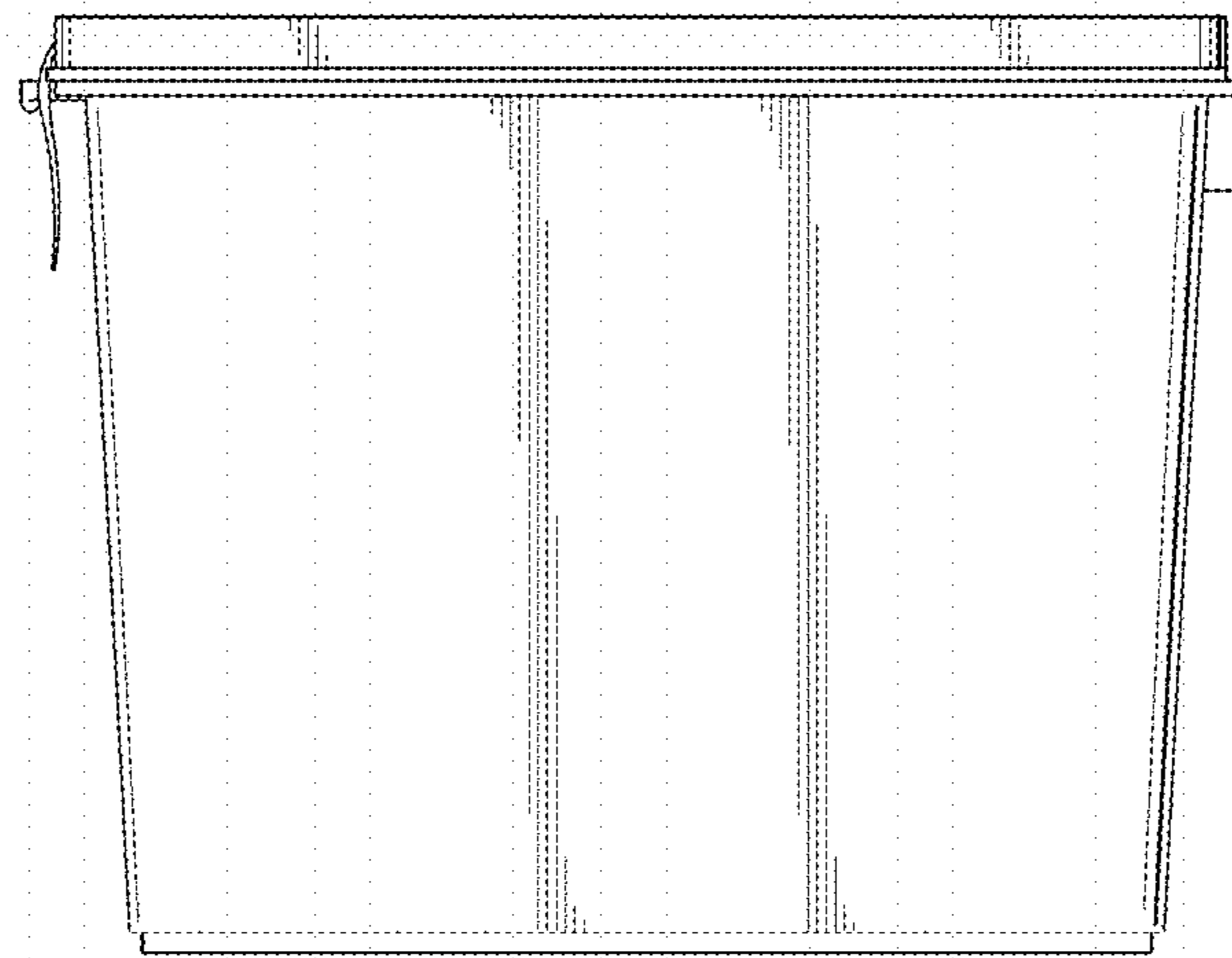


FIG. 5

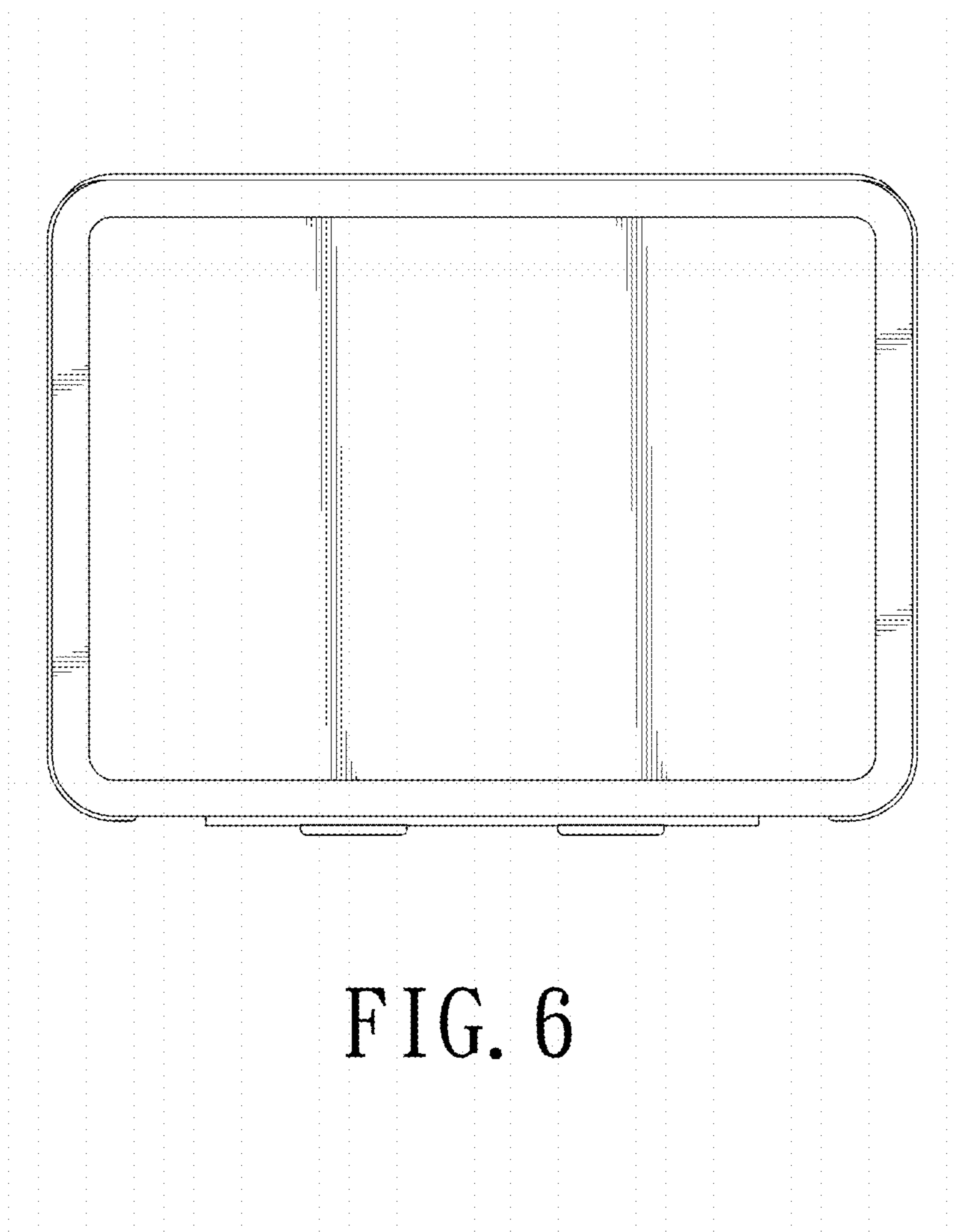


FIG. 6

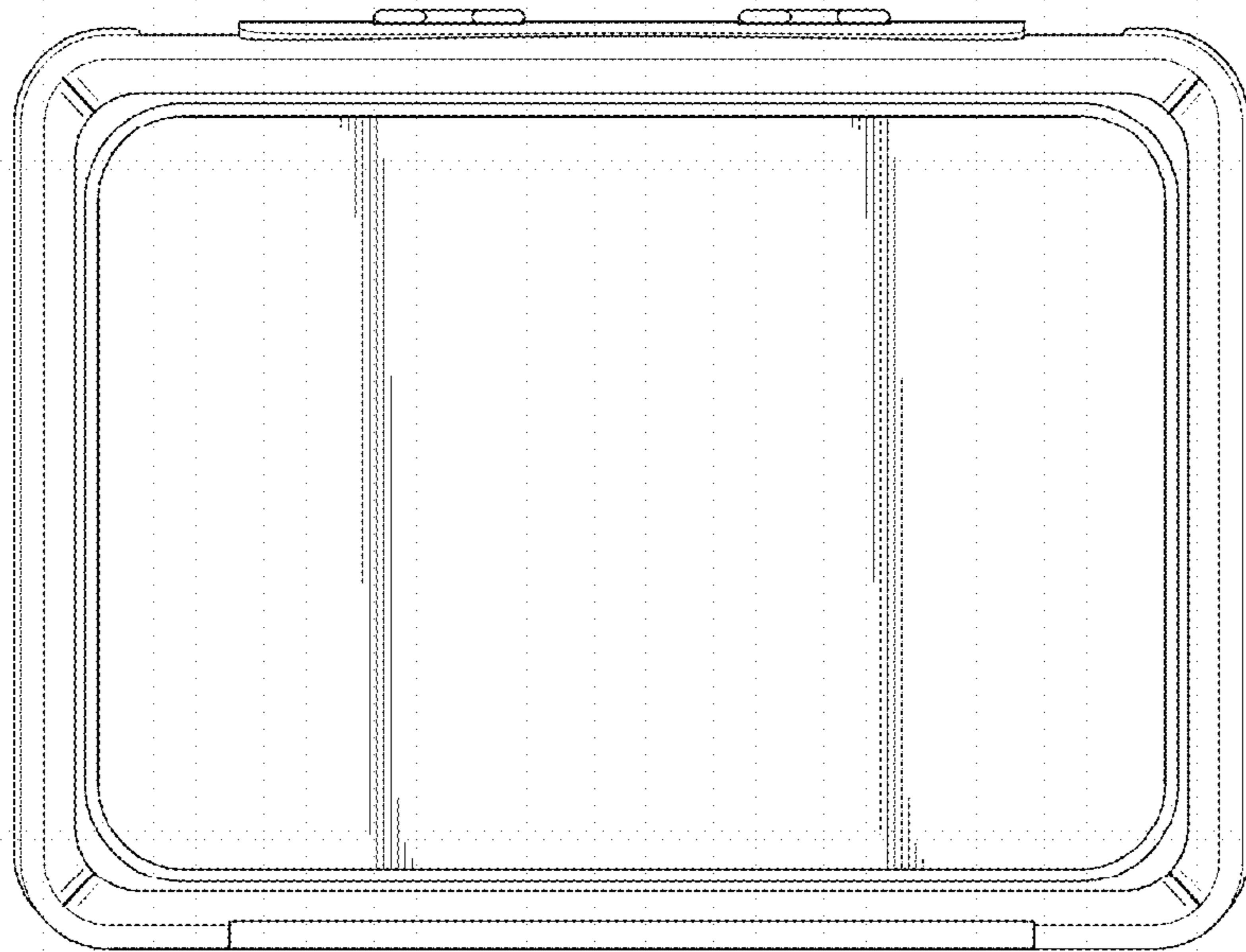


FIG. 7