



US00D742736S

(12) **United States Design Patent**
Snedden et al.

(10) **Patent No.:** **US D742,736 S**

(45) **Date of Patent:** **** Nov. 10, 2015**

(54) **TRAY ASSEMBLY**

(71) Applicant: **Direct Pack, Inc.**, Sun Valley, CA (US)

(72) Inventors: **Craig R. Snedden**, La Canada Flintridge, CA (US); **Gandhi B. Sifuentes**, West Covina, CA (US); **Leonardo Magana**, San Bernardino, CA (US); **Patrick Jude Nunan**, Alamo, CA (US)

(73) Assignee: **DIRECT PACK, INC.**, Azusa, CA (US)

(**) Term: **14 Years**

(21) Appl. No.: **29/501,829**

(22) Filed: **Sep. 9, 2014**

(51) **LOC (10) Cl.** **09-03**

(52) **U.S. Cl.**
USPC **D9/418**

(58) **Field of Classification Search**
USPC D9/414-418, 420, 425, 426, 432, 429,
D9/435, 761; 220/792, 4.23, 839, 810;
D7/354; D11/155

CPC B65D 2543/00537; B65D 43/162;
A47J 36/06

See application file for complete search history.

(56) **References Cited**

U.S. PATENT DOCUMENTS

4,976,370 A * 12/1990 Cassel 220/792
5,258,212 A * 11/1993 Tomaru et al. 428/36.8
5,515,993 A * 5/1996 McManus 220/4.23
D427,482 S * 7/2000 Mittmann D7/354
D431,148 S * 9/2000 Mittmann D7/354

D435,390 S * 12/2000 Mittmann D7/354
D443,173 S * 6/2001 Danielsen et al. D7/354
D552,467 S * 10/2007 Templeton D9/420
D628,475 S * 12/2010 Snedden et al. D9/426
D668,536 S * 10/2012 Sanfilippo D9/425
D684,466 S * 6/2013 Wichmann D9/432
D689,363 S * 9/2013 Sundy et al. D9/429
D708,942 S * 7/2014 Snedden et al. D9/435
D727,791 S * 4/2015 Montagano D11/155
D728,383 S * 5/2015 Sifuentes et al. D9/761
2006/0081641 A1 * 4/2006 Habeger et al. 220/839
2010/0102074 A1 * 4/2010 Parikh et al. 220/810

* cited by examiner

Primary Examiner — Holly Baynham

Assistant Examiner — Rhea Shields

(74) *Attorney, Agent, or Firm* — Frost Brown Todd LLC

(57) **CLAIM**

The ornamental design for a tray assembly, as shown and described.

DESCRIPTION

FIG. 1 is a top perspective exploded view of a tray assembly revealing the top side of the lid, tray and base, and showing our new design;

FIG. 2 is a left elevational view thereof;

FIG. 3 is a right elevational view thereof;

FIG. 4 is a front elevational view thereof;

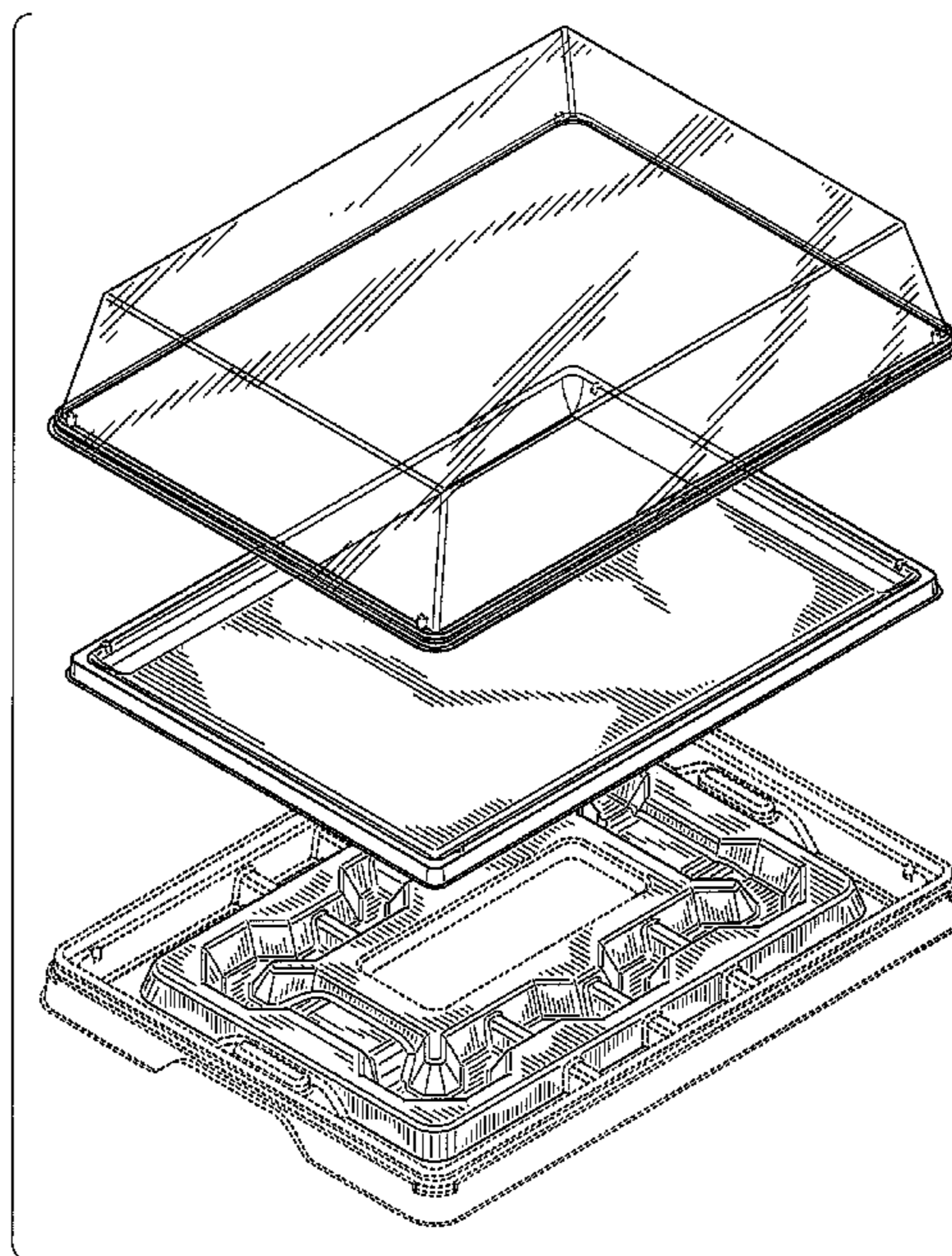
FIG. 5 is a back elevational view thereof;

FIG. 6 is a top plan view thereof; and,

FIG. 7 is a bottom plan view thereof.

In the drawings, the broken lines are for the purpose of illustrating environment only and form no part of the claimed design.

1 Claim, 4 Drawing Sheets



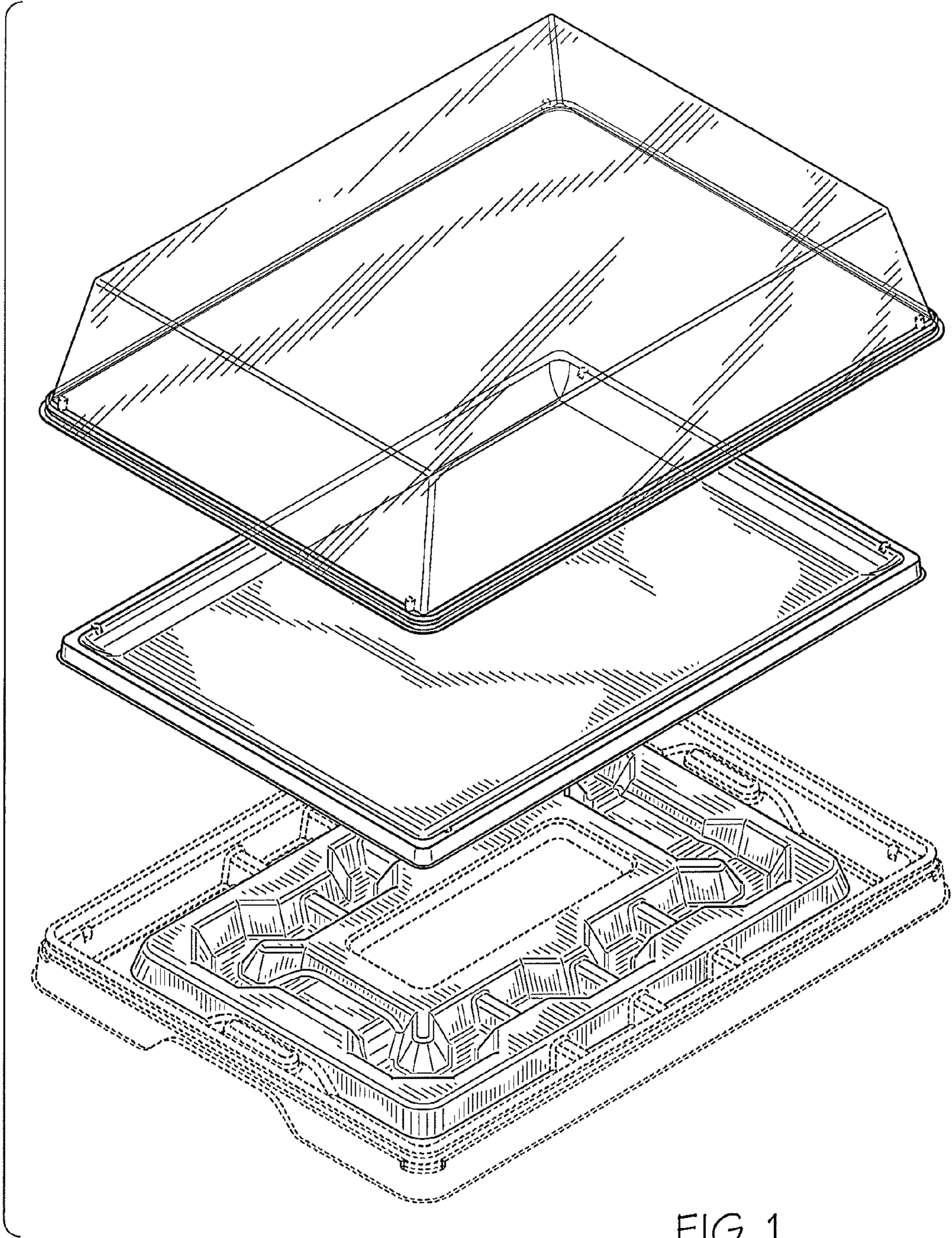


FIG. 1

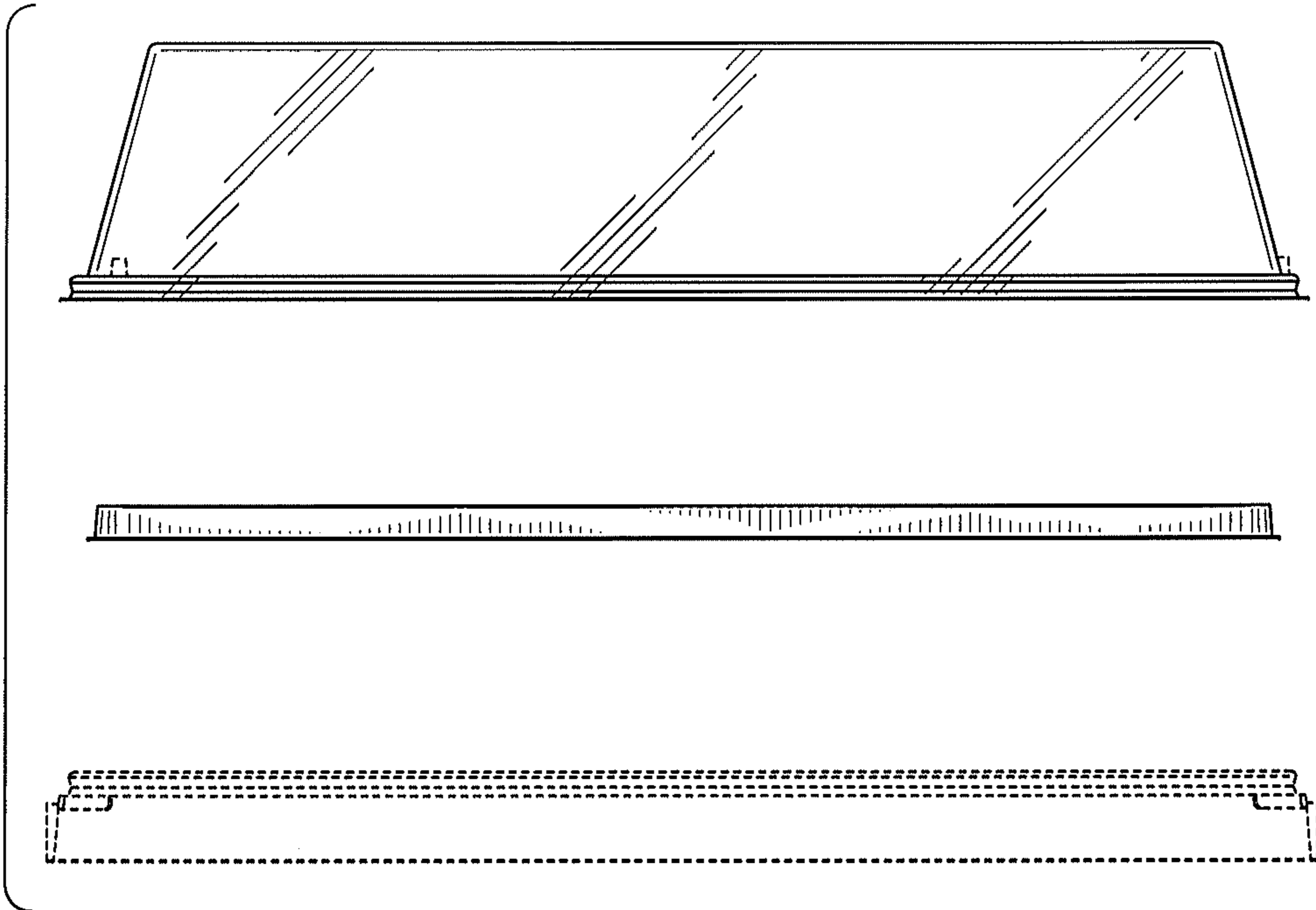


FIG. 2

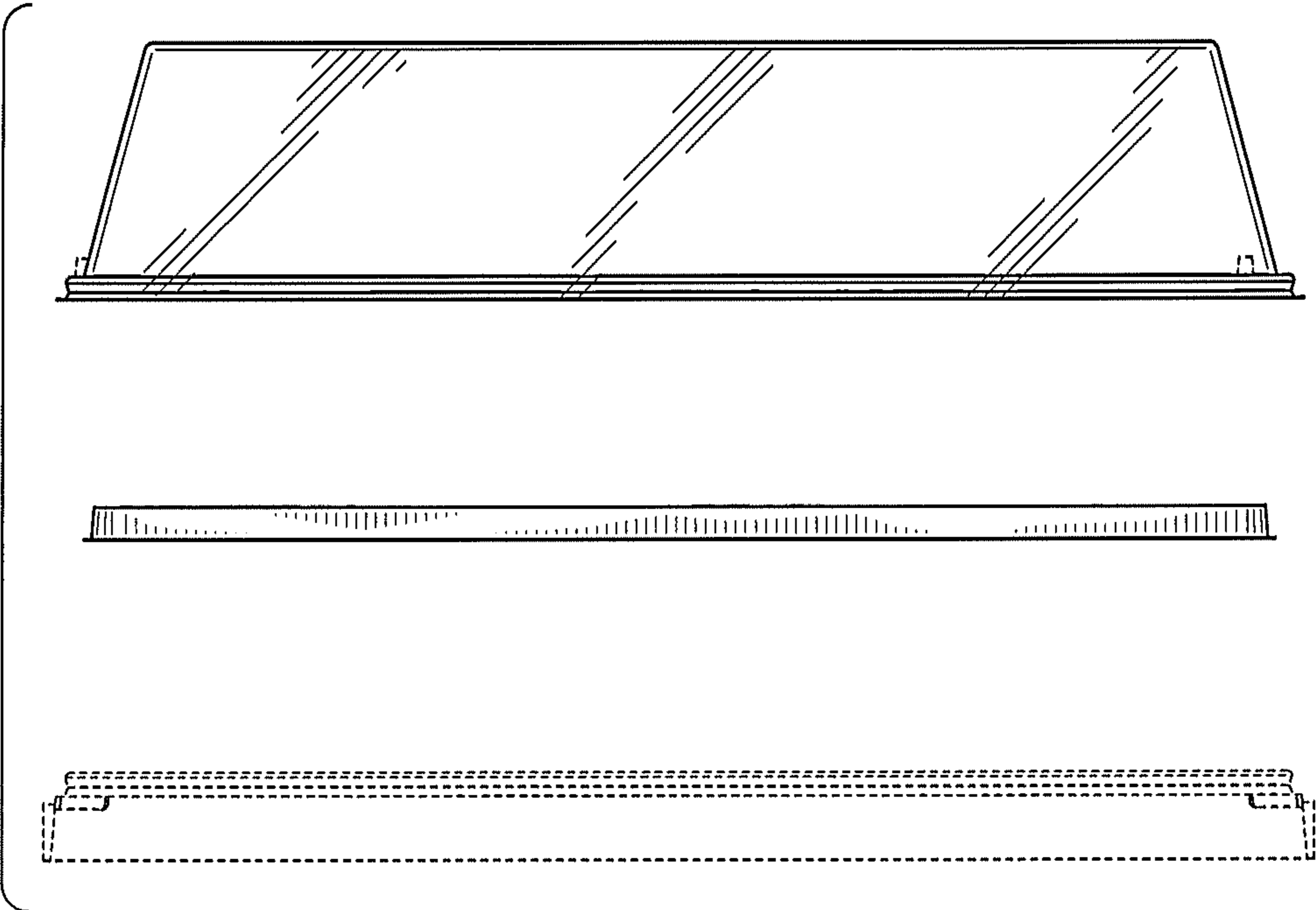


FIG. 3

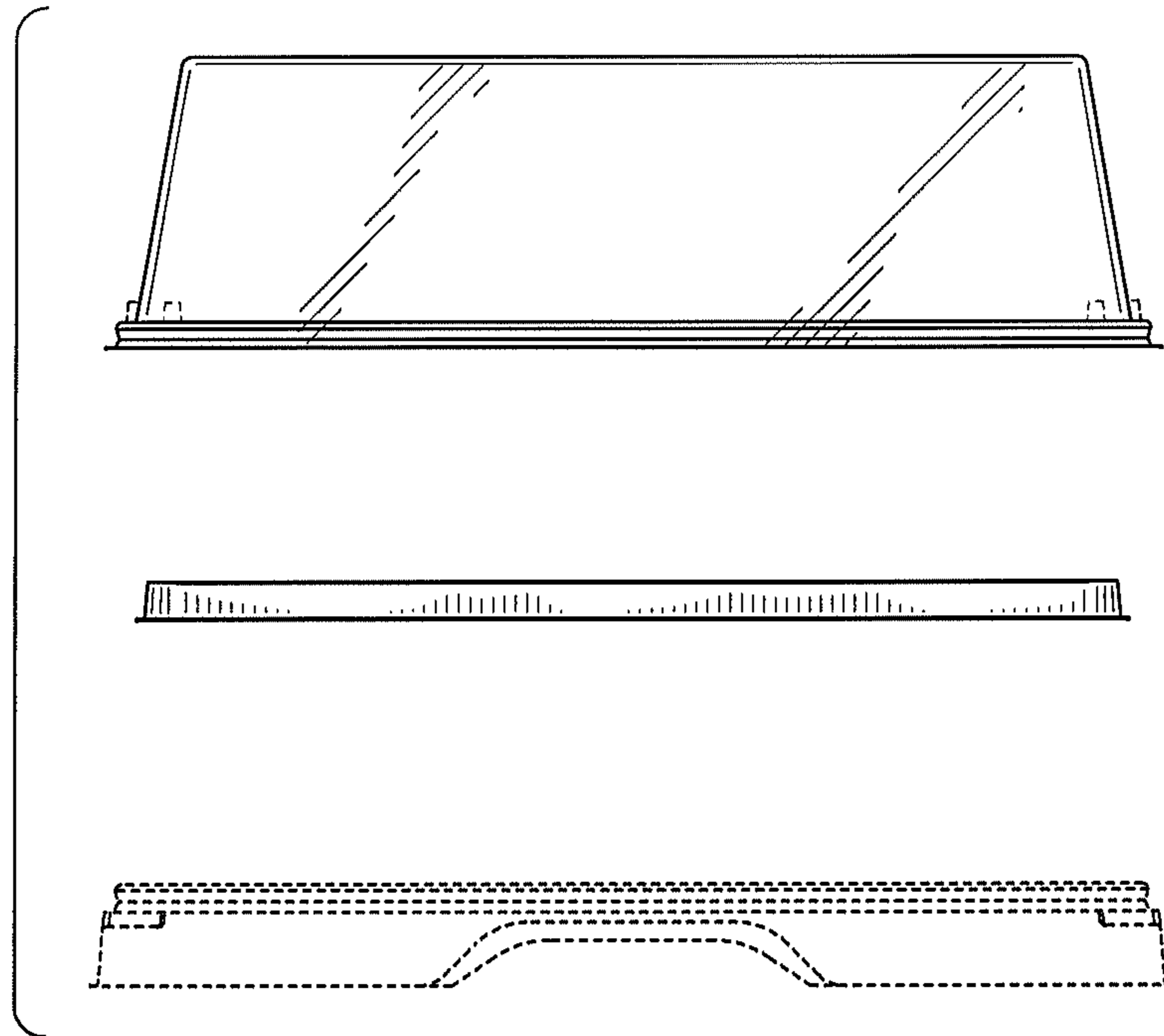


FIG. 4

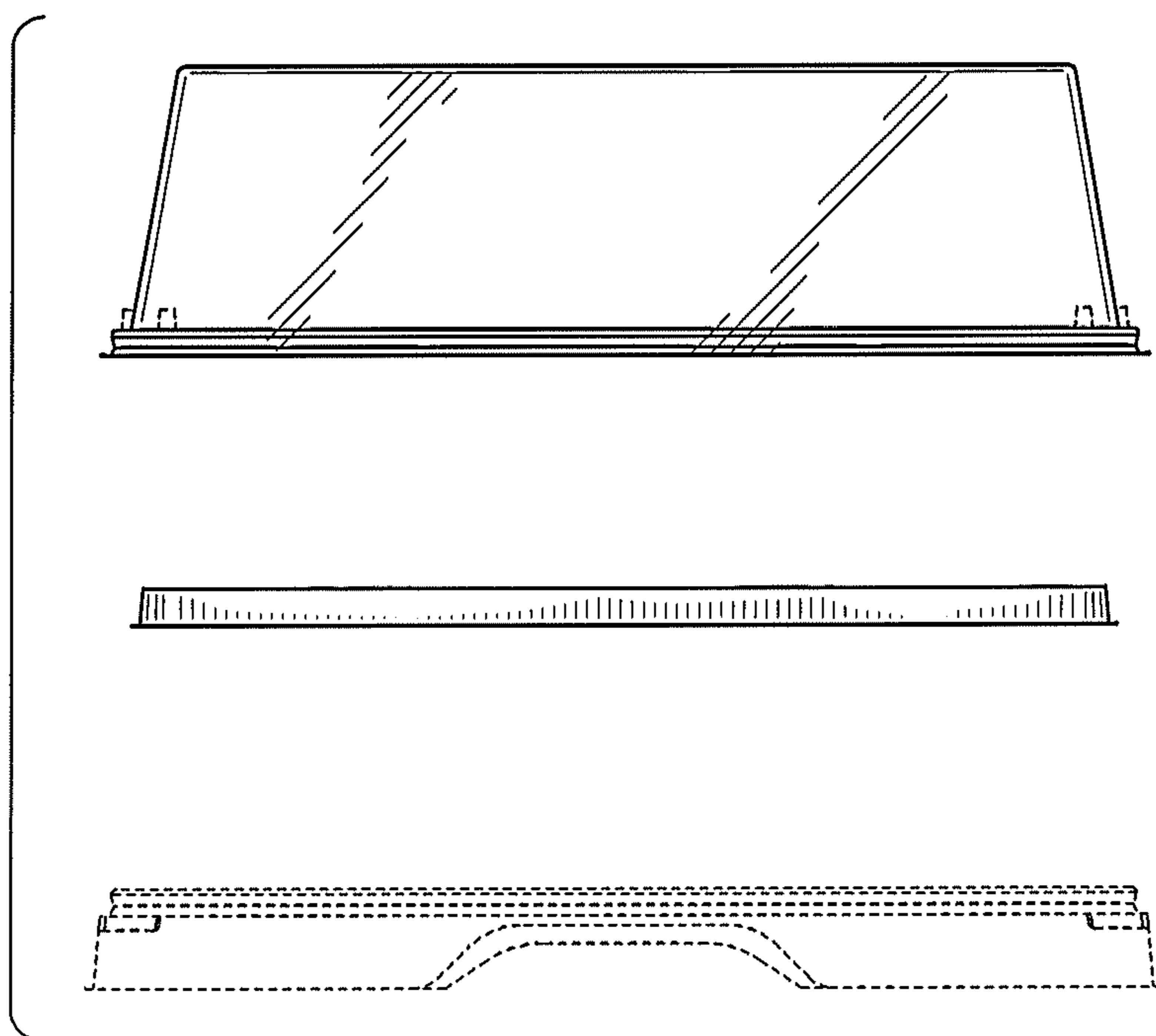


FIG. 5

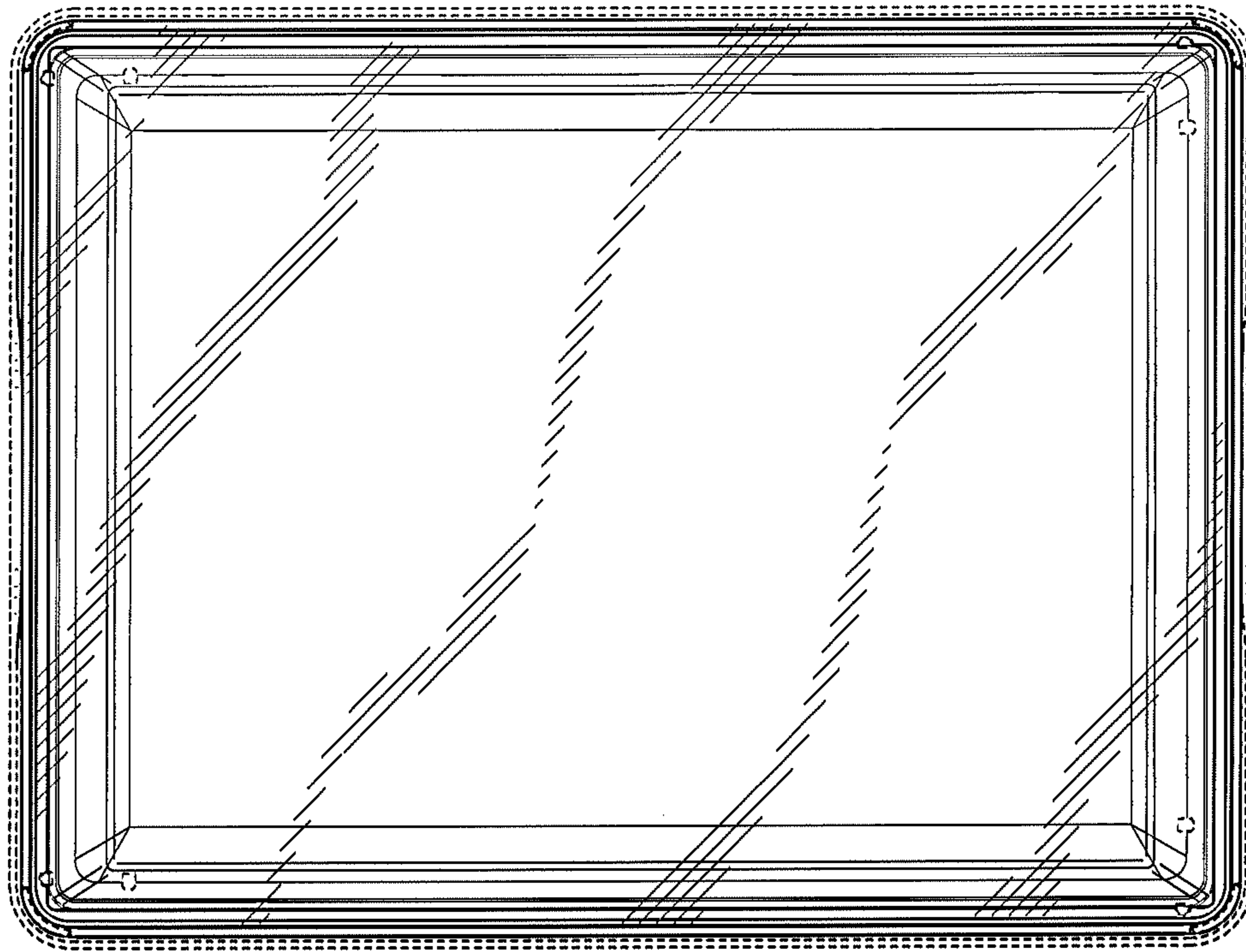


FIG. 6

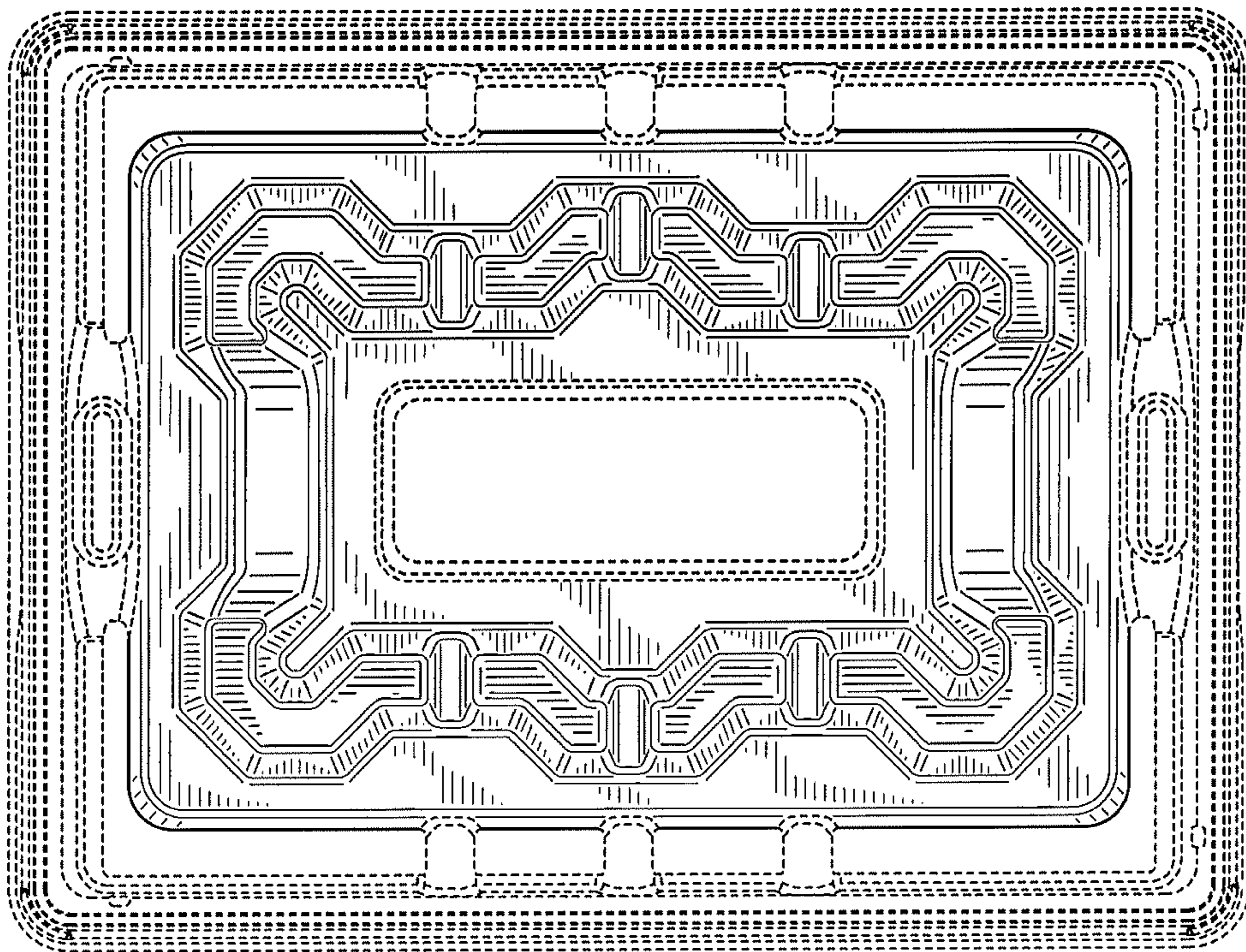


FIG. 7