



US00D742734S

(12) **United States Design Patent**
Anderson

(10) **Patent No.:** **US D742,734 S**

(45) **Date of Patent:** **** Nov. 10, 2015**

(54) **CONTAINER FOR A NURSERY ITEM**

(71) Applicant: **Stephen Gould Corporation,**
Whippany, NJ (US)

(72) Inventor: **Matthew Anderson,** Chester, NJ (US)

(73) Assignee: **Stephen Gould Corporation,**
Whippany, NJ (US)

(**) Term: **14 Years**

(21) Appl. No.: **29/467,542**

(22) Filed: **Sep. 20, 2013**

(51) **LOC (10) Cl.** **09-03**

(52) **U.S. Cl.**
USPC **D9/415**

(58) **Field of Classification Search**
USPC D9/415, 414, 432, 631, 416, 431, 529,
D9/424, 456; 222/185.1, 181.3; D34/10;
D3/304; 206/461, 736; 229/123.3,
229/117.15

CPC B67D 3/0029; B65D 23/003; B65D 5/706;
B65D 5/46096; B65D 75/36; B65D 5/52
See application file for complete search history.

(56) **References Cited**

U.S. PATENT DOCUMENTS

789,137	A *	5/1905	Beers	229/117.15
2,089,958	A *	8/1937	Hothersall	229/123.3
D272,605	S *	2/1984	Pelletier	D9/431
D277,364	S *	1/1985	Nightingale, III	D9/529
D282,720	S *	2/1986	Borg	D9/418
4,858,756	A *	8/1989	Herrin et al.	206/461
D325,660	S *	4/1992	Rapaz	D34/10
D420,578	S *	2/2000	Plumer	D9/415
6,053,325	A *	4/2000	Yonker et al.	206/736
D429,637	S *	8/2000	Kumakura et al.	D9/415
D448,284	S *	9/2001	Stanford et al.	D9/415
D454,785	S *	3/2002	Nance	D9/424
D480,300	S *	10/2003	Lee	D9/415
D493,035	S *	7/2004	Bergman	D3/304

D504,064	S *	4/2005	Lee et al.	D9/415
D548,597	S *	8/2007	Berger	D9/456
7,490,741	B2 *	2/2009	Rocheffort et al.	222/181.3
D592,502	S *	5/2009	Casebasse	D9/431
D605,035	S *	12/2009	Altonen et al.	D9/432
D645,359	S *	9/2011	Jefferies et al.	D9/631
D691,884	S *	10/2013	Kwon	D9/432
D700,836	S *	3/2014	Lai et al.	D9/415
D717,160	S *	11/2014	Kurniawan et al.	D9/415
D723,365	S *	3/2015	Mitchell et al.	D9/416
2011/0297702	A1 *	12/2011	Hildebrandt et al.	222/185.1

* cited by examiner

Primary Examiner — Holly Baynham

Assistant Examiner — Rhea Shields

(74) *Attorney, Agent, or Firm* — Drinker Biddle & Reath
LLP

(57) **CLAIM**

The ornamental design for a container for a nursery item, as shown and described.

DESCRIPTION

FIG. 1 is a perspective view of a container for a nursery item according to the present invention.

FIG. 2 is a front view of the container for a nursery item of FIG. 1.

FIG. 3 is a rear view of the container for a nursery item of FIG. 1.

FIG. 4 is a left side view of the container for a nursery item of FIG. 1.

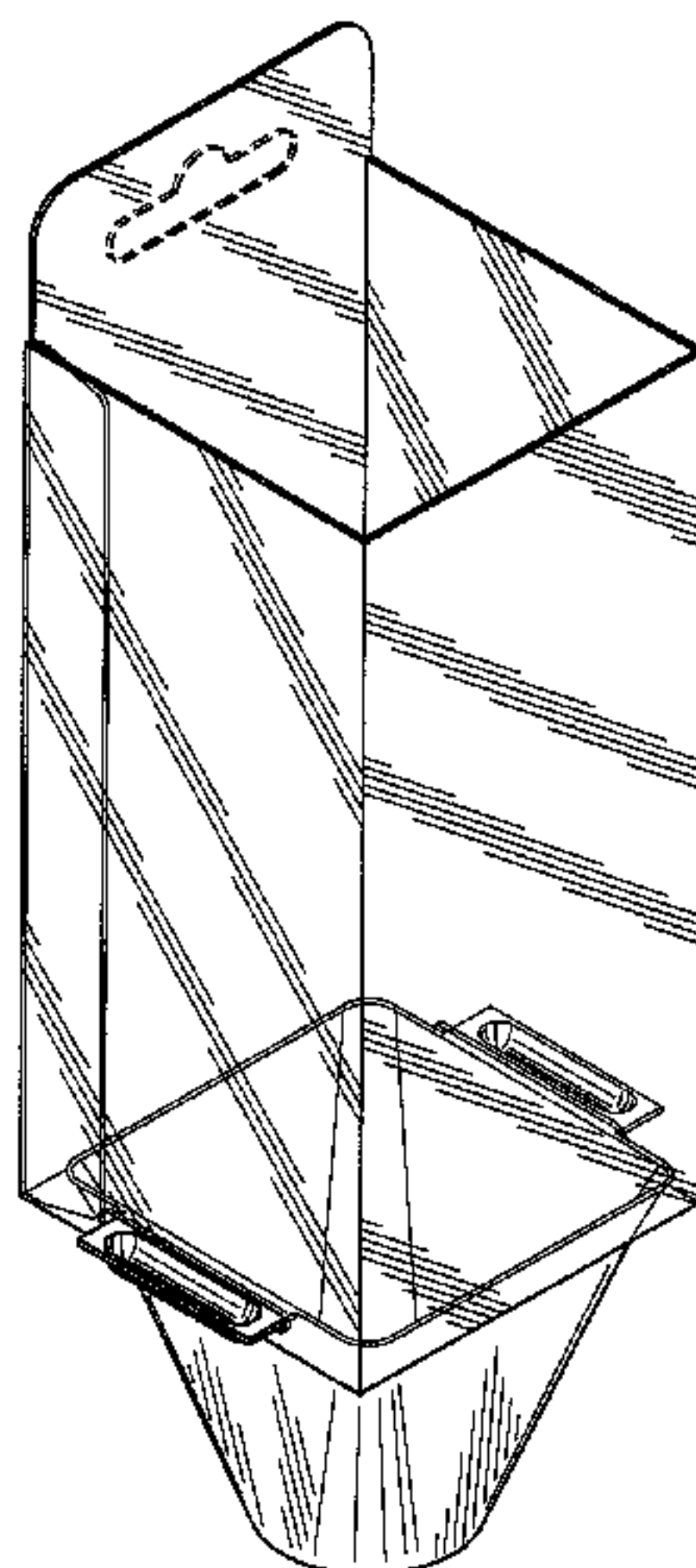
FIG. 5 is a right side view of the container for a nursery item of FIG. 1.

FIG. 6 is a top view of the container for a nursery item of FIG. 1; and,

FIG. 7 is a bottom view of a container for a nursery item of FIG. 1.

In the drawings, the broken lines are for the purpose of illustrating environment only and form no a part of the claimed design.

1 Claim, 4 Drawing Sheets



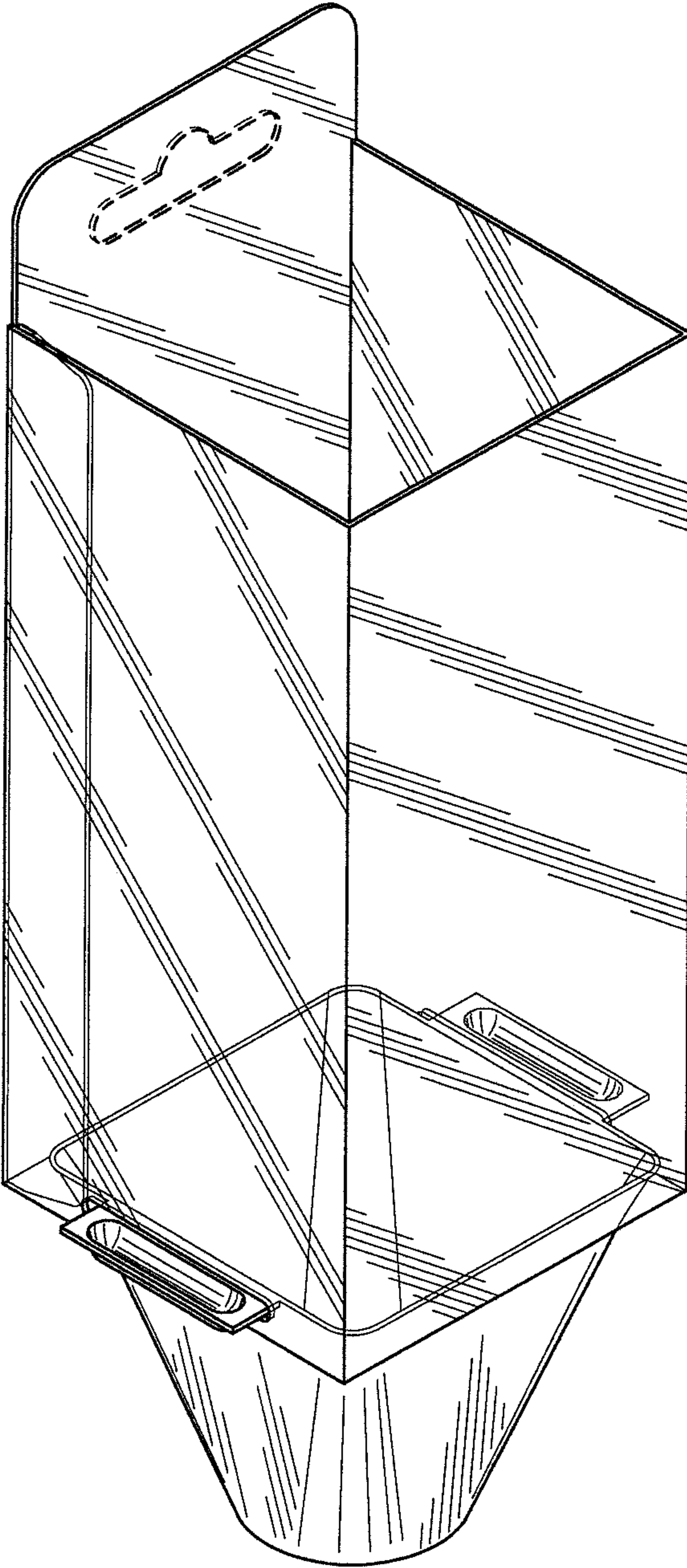


FIG. 1

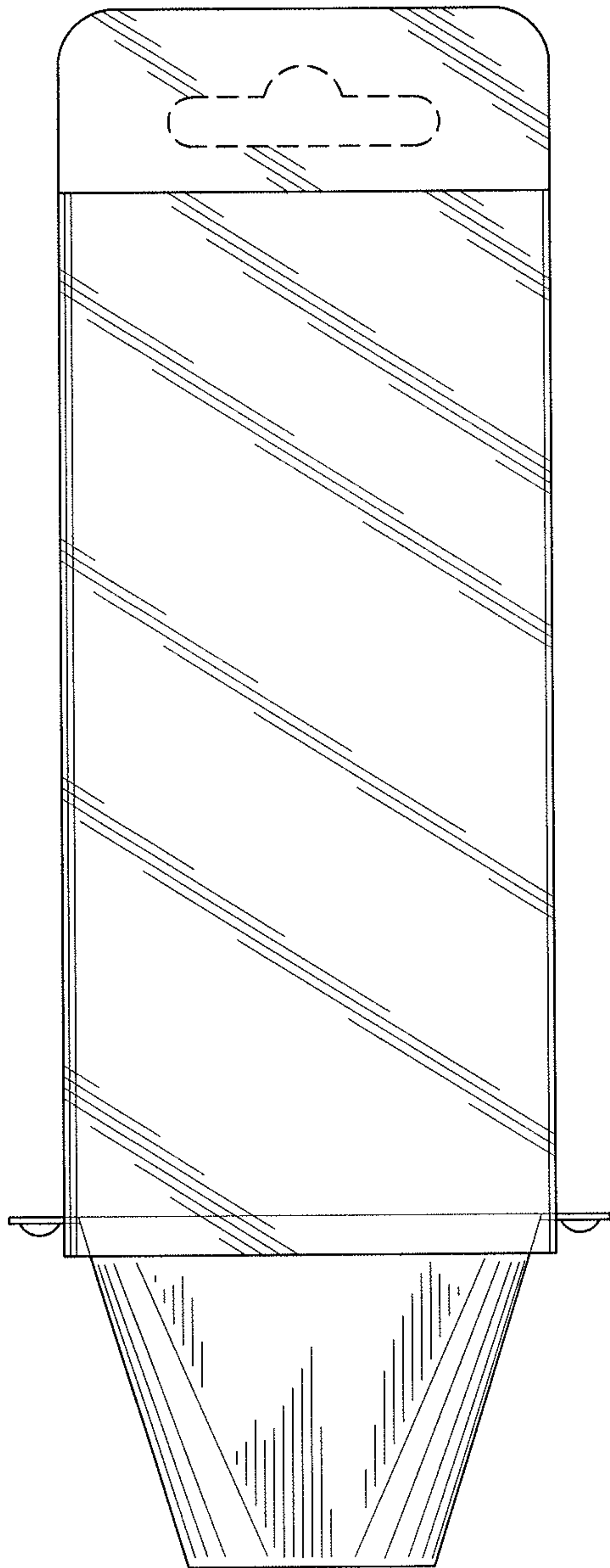


FIG. 2

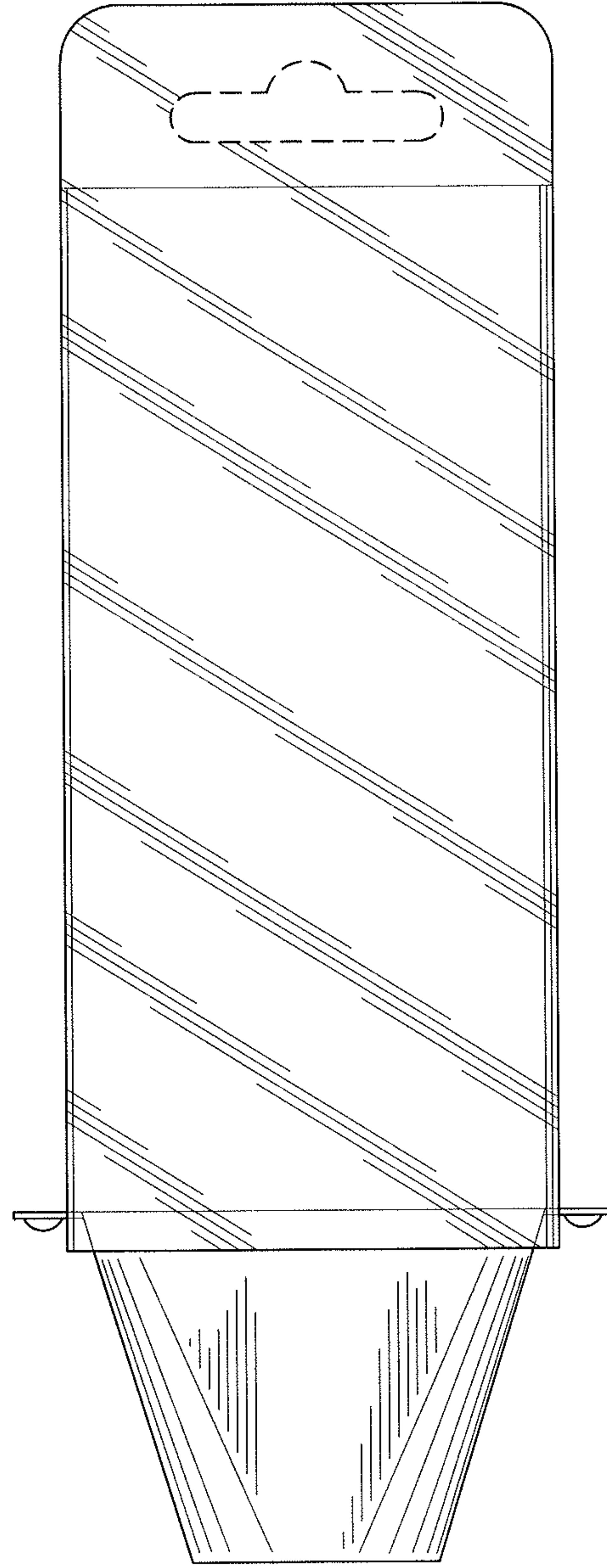


FIG. 3

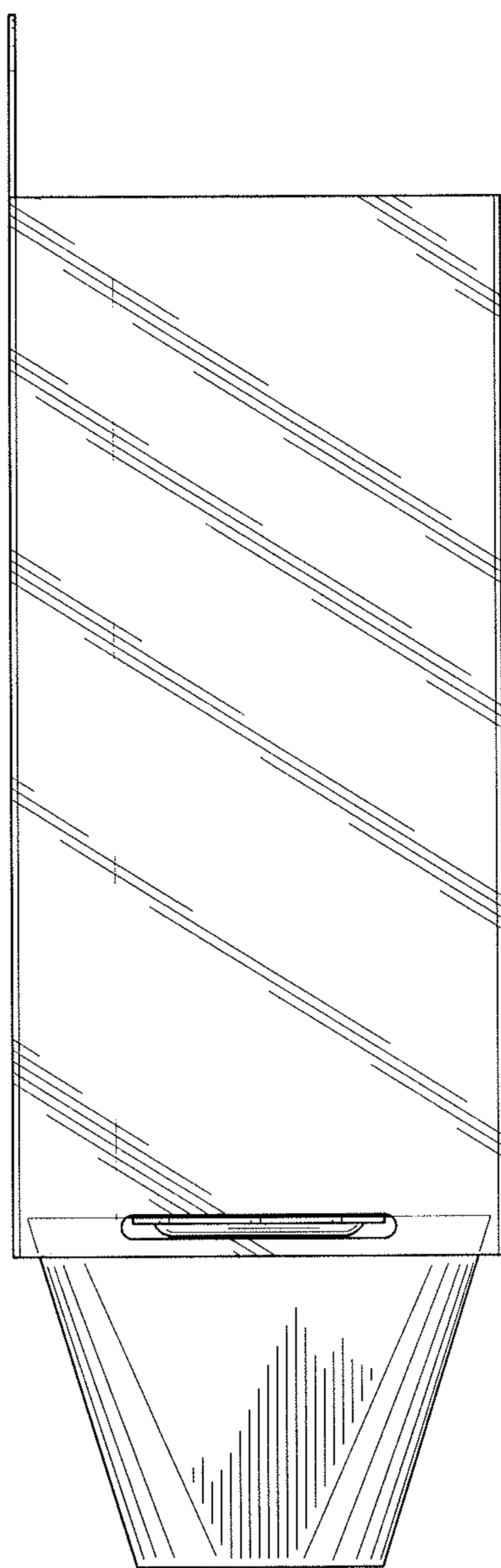


FIG. 4

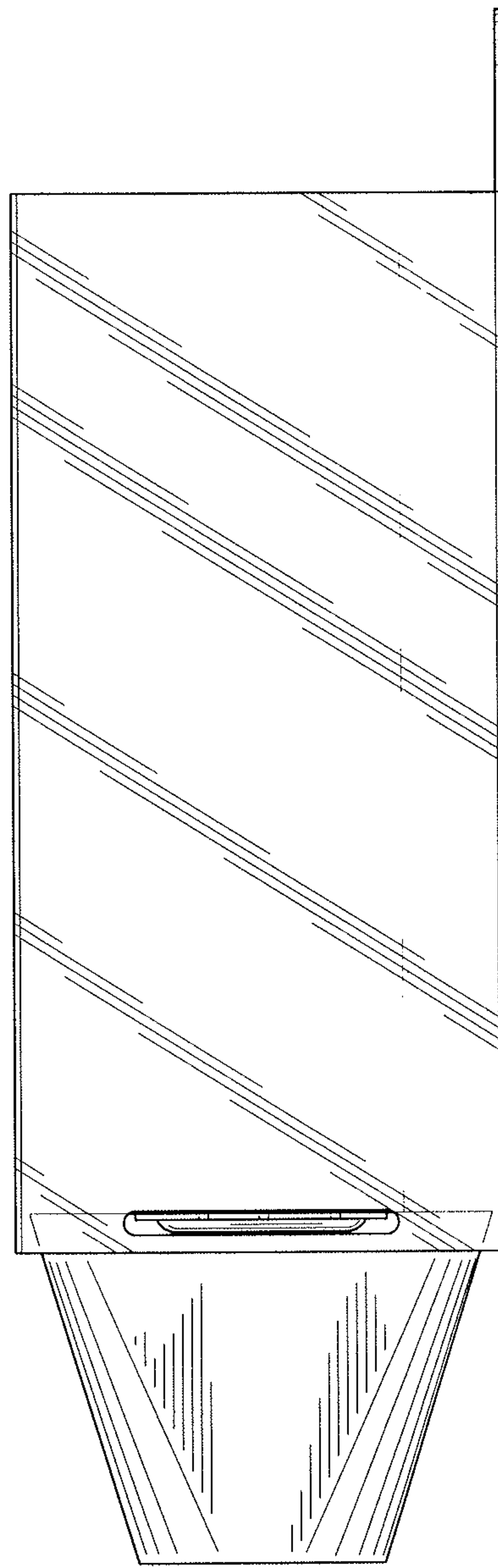


FIG. 5

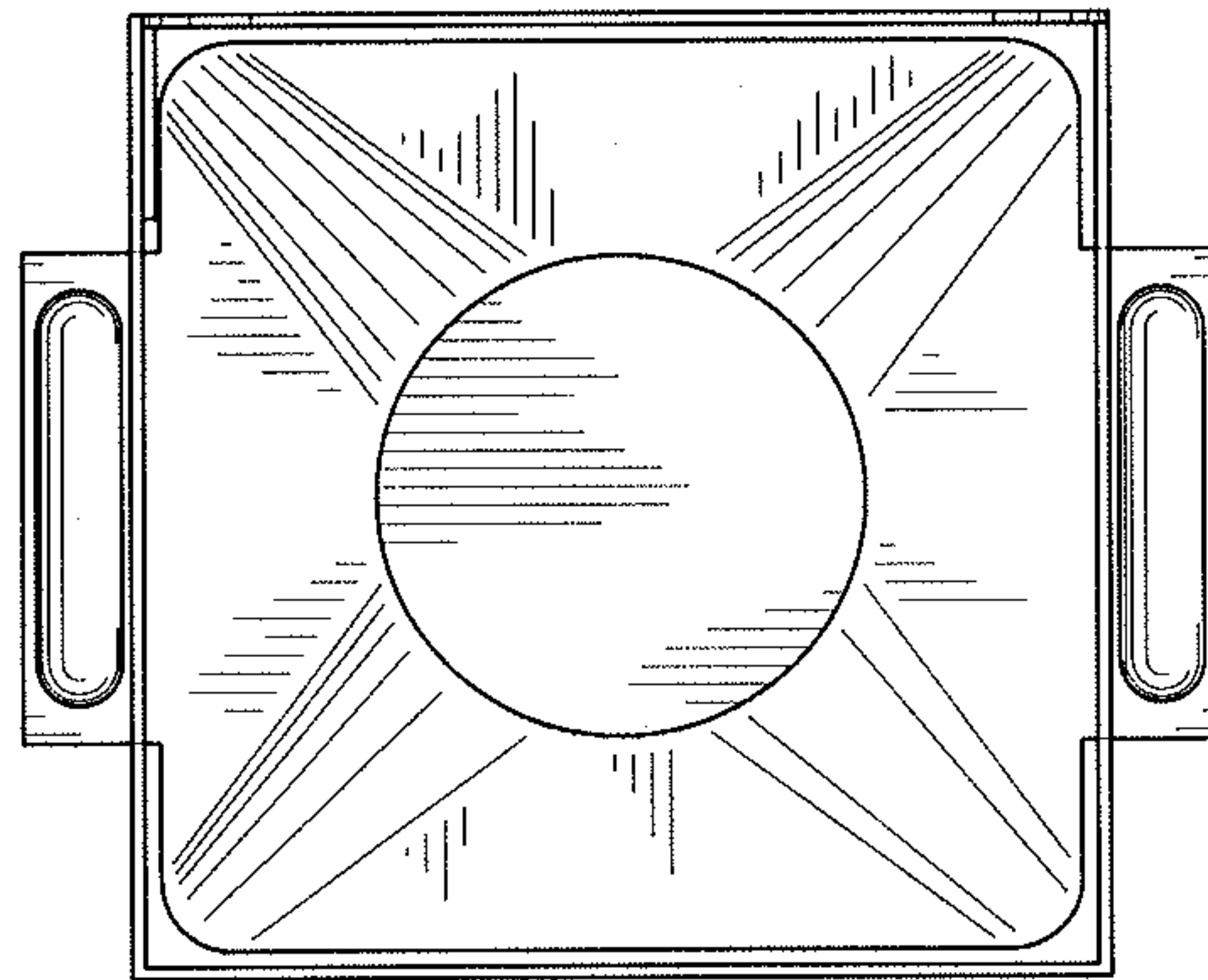


FIG. 6

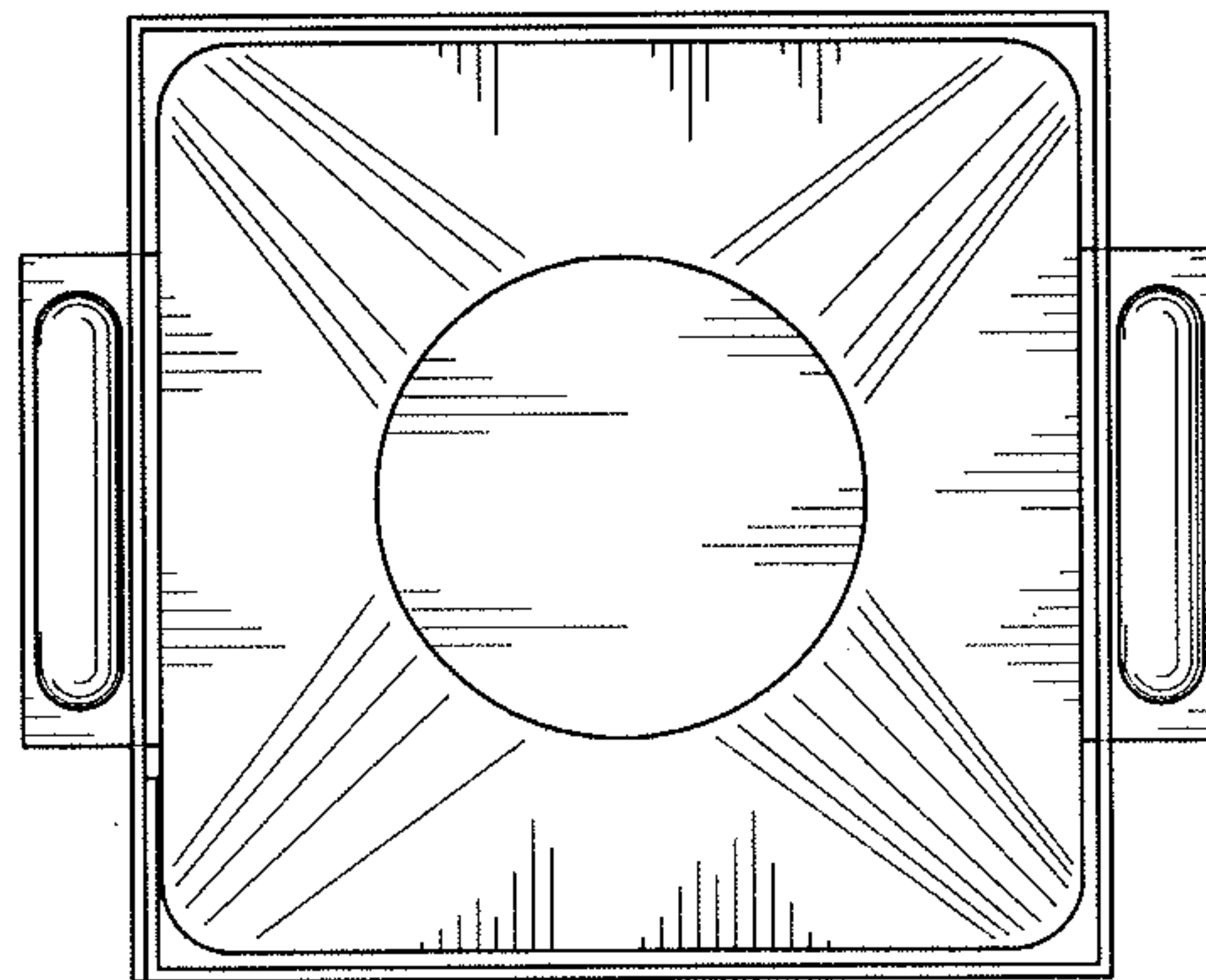


FIG. 7