



US00D742733S

(12) **United States Design Patent**
Galindo Gonzalez et al.

(10) **Patent No.:** **US D742,733 S**
(45) **Date of Patent:** **** Nov. 10, 2015**

(54) **CHOCK**

(71) Applicant: **Southwire Company, LLC**, Carrollton, GA (US)

(72) Inventors: **Juan Alberto Galindo Gonzalez**, Powder Springs, GA (US); **James Phillip Tuggle**, Carrollton, GA (US); **Franklin Clarence Calhoun**, Carrollton, GA (US)

(73) Assignee: **Southwire Company, LLC**, Carrollton, GA (US)

(**) Term: **14 Years**

(21) Appl. No.: **29/488,243**

(22) Filed: **Apr. 17, 2014**

(51) **LOC (10) Cl.** **08-08**

(52) **U.S. Cl.**
USPC **D8/396**

(58) **Field of Classification Search**

USPC D8/333, 337, 339, 358, 360, 356, 359, D8/383, 380, 381; D12/217
CPC B65H 75/40; B65H 2701/33; B65H 75/4471; B65H 54/585; B65H 2701/34; B65H 51/22; B65H 75/08; B65H 75/02; B65H 2301/41485; B65H 2701/32; B65H 75/4468; B65H 2301/414323; B65H 2301/414325; Y10T 70/5872; B62H 5/00; B62H 2005/008; B62H 5/001; B62H 5/18; A63C 11/006; B60R 25/001; B60R 25/093

See application file for complete search history.

(56) **References Cited**

U.S. PATENT DOCUMENTS

1,353,541	A *	9/1920	Retterer	70/18
2,720,285	A *	10/1955	Taylor	188/32
2,960,857	A *	11/1960	Winter	70/19
D254,595	S *	4/1980	Hart	D8/354
D347,988	S *	6/1994	Thorne	D8/333
D385,525	S *	10/1997	Beavers et al.	D12/217
D613,231	S *	4/2010	Anderson et al.	D12/217
2011/0162916	A1 *	7/2011	Saliger et al.	188/32

* cited by examiner

Primary Examiner — Robert M Spear

Assistant Examiner — Eliza Bennett-Hattan

(74) *Attorney, Agent, or Firm* — Hartman & Citrin LLC

(57) **CLAIM**

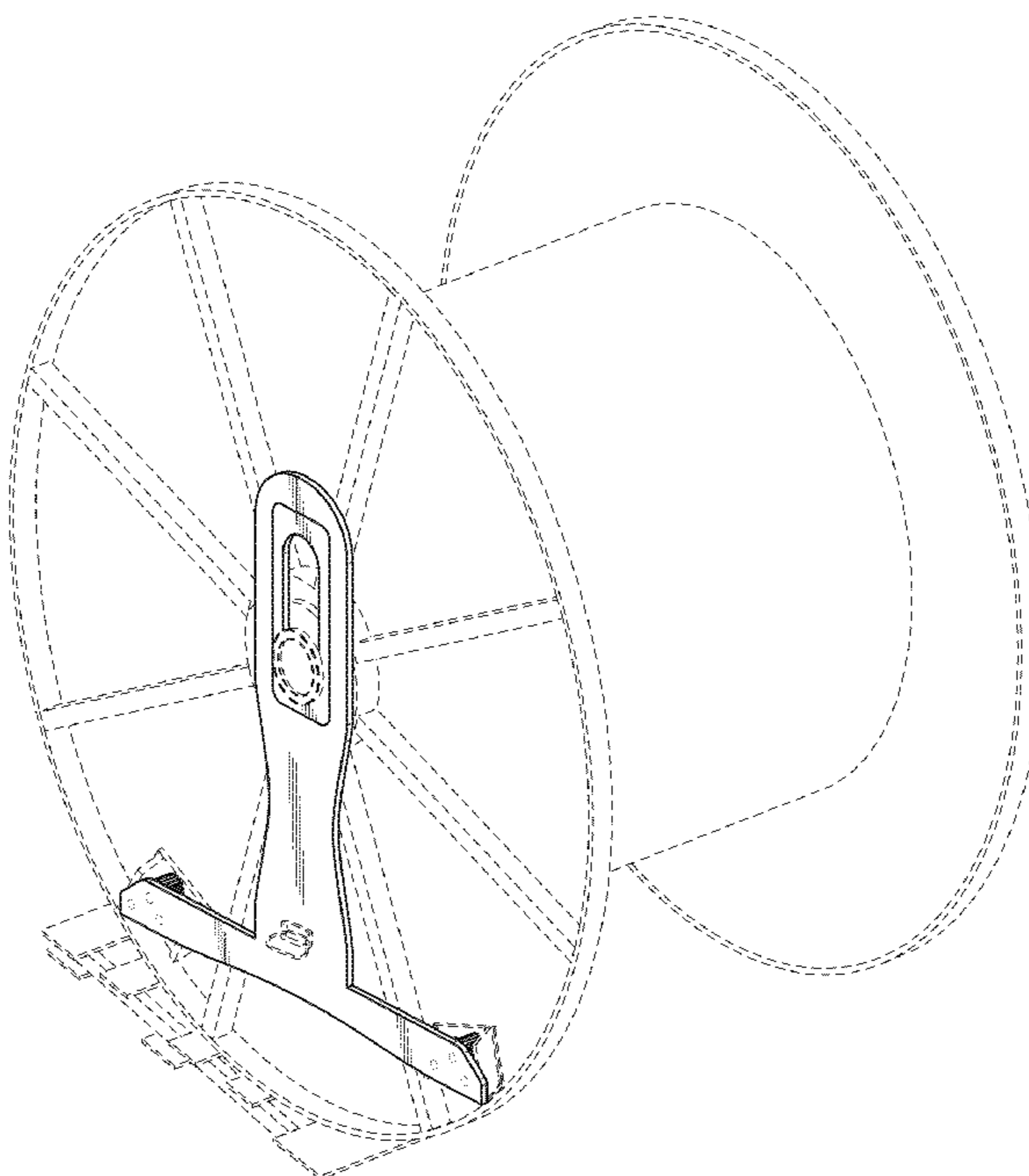
The ornamental design for a chock, as shown and described.

DESCRIPTION

FIG. 1 is an isometric view of a chock according to my design; FIG. 2 is front view thereof; FIG. 3 is a rear view thereof; FIG. 4 is a side view thereof; FIG. 5 is a top view thereof; and, FIG. 6 is a bottom views thereof.

Broken lines having repeated short dashes in the Figures are for illustrative purposes only and form no part of the claimed design. Shade lines having a combination of long and short lines in the Figures show contour and not surface ornamentation.

1 Claim, 4 Drawing Sheets



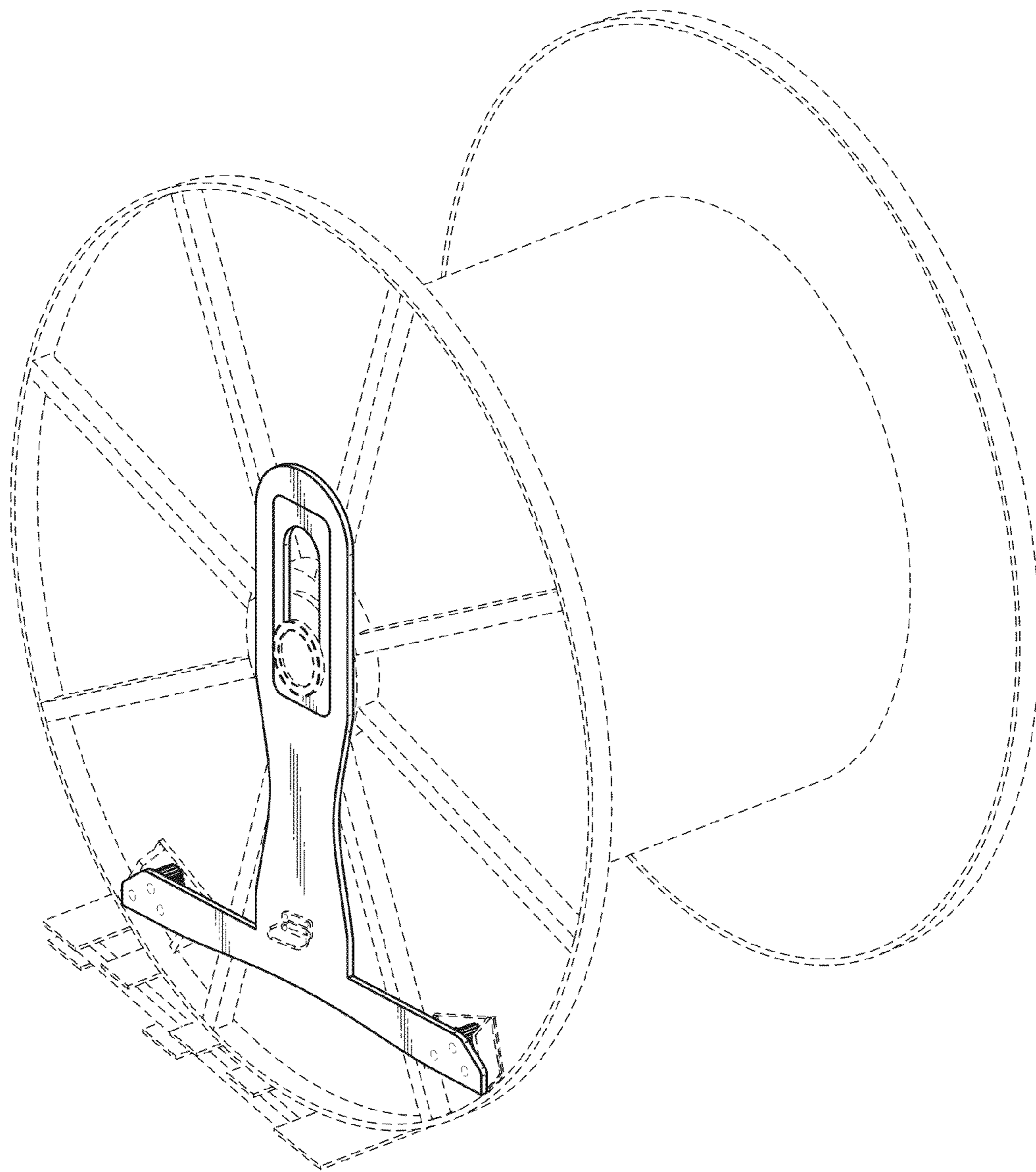


Figure 1

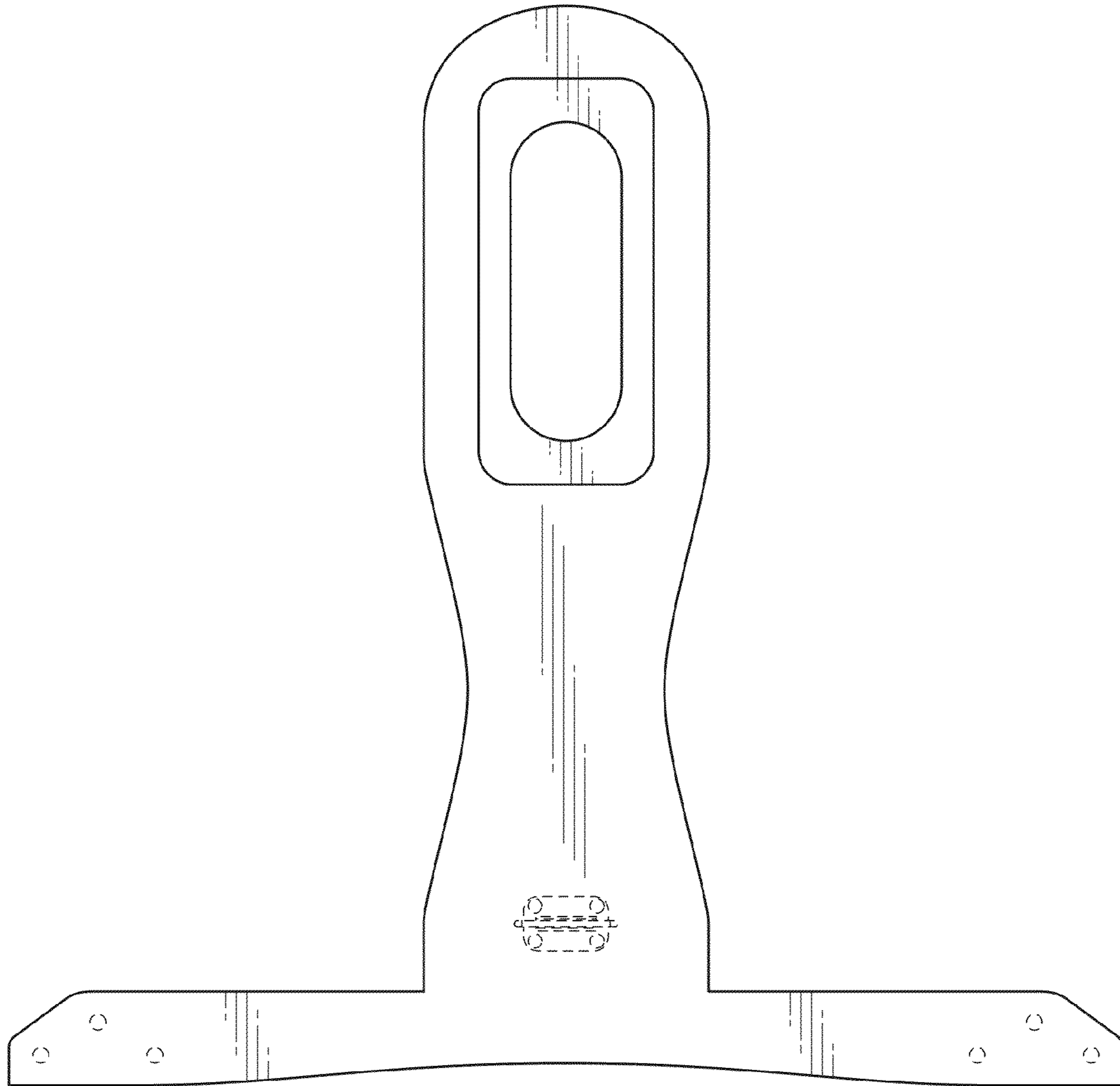


Figure 2

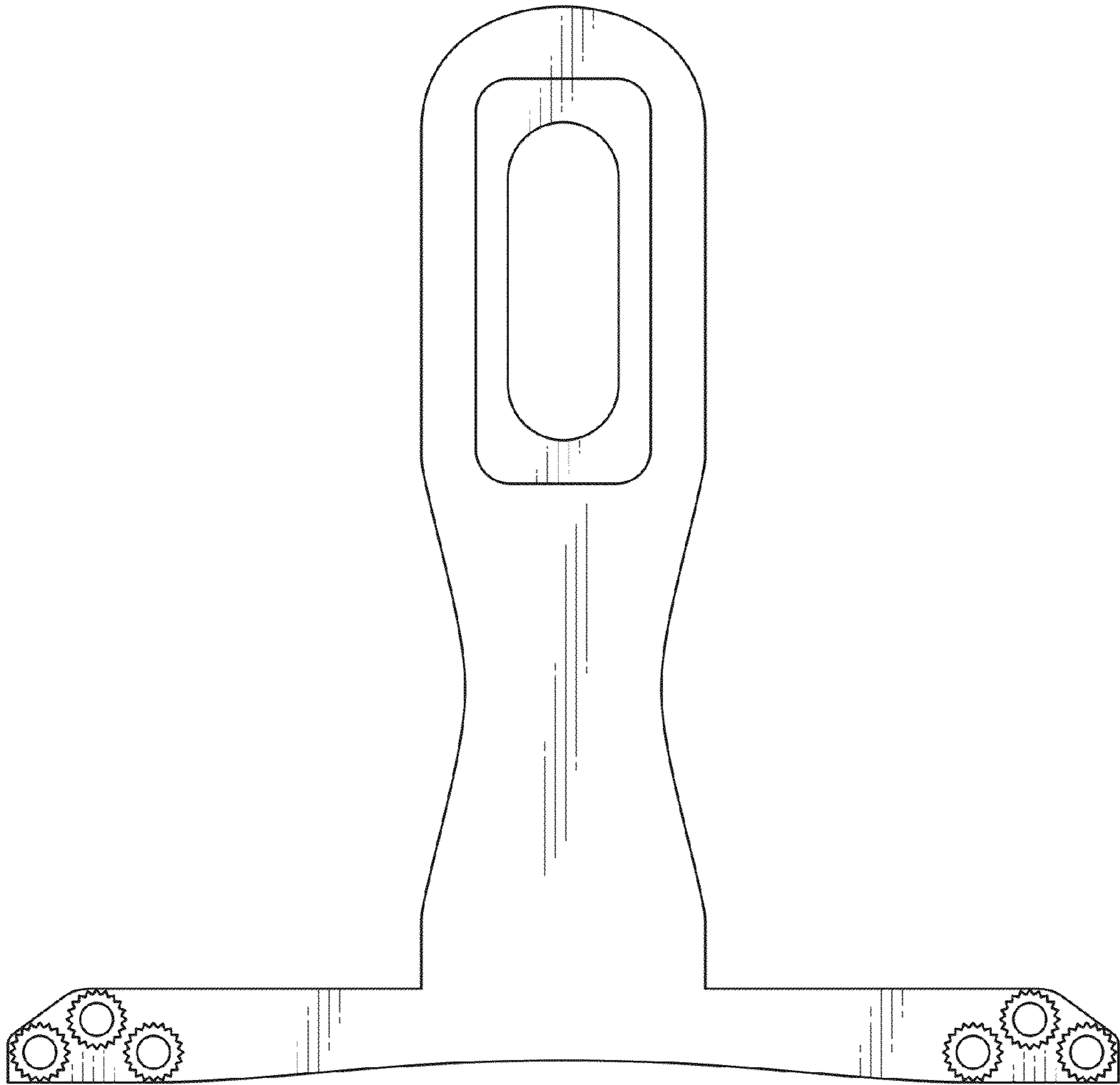


Figure 3

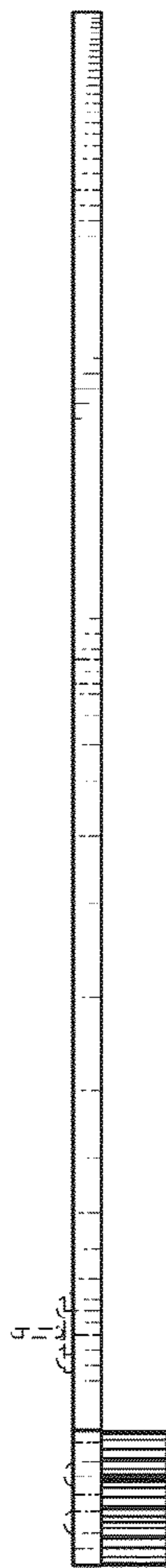


Figure 4

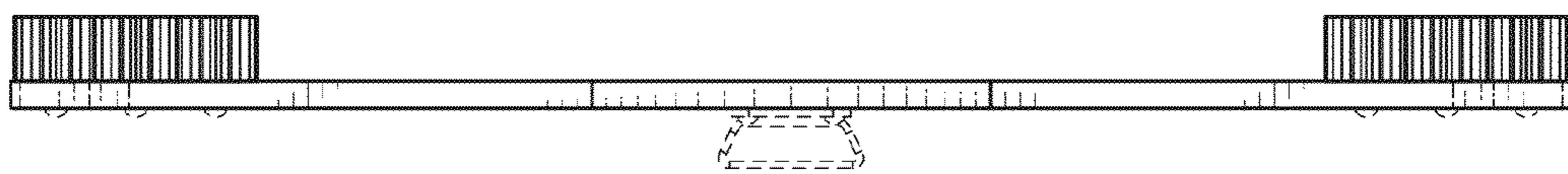


Figure 5

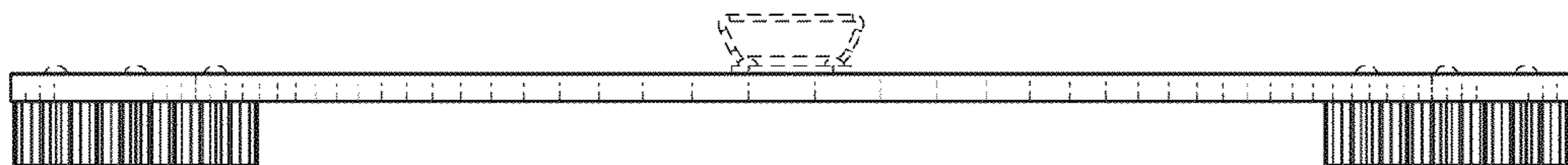


Figure 6