



US00D742731S

(12) **United States Design Patent**
Zedan et al.

(10) **Patent No.:** **US D742,731 S**
(45) **Date of Patent:** **** Nov. 10, 2015**

(54) **STACKABLE CLAMP**

(71) Applicant: **Deere & Company**, Moline, IL (US)

(72) Inventors: **David Ernesto Zedan**, Santa Catarina (MX); **Rolando Enrique Salazar**, Monterrey (MX)

(73) Assignee: **DEERE & COMPANY**, Moline, IL (US)

(**) Term: **14 Years**

(21) Appl. No.: **29/461,169**

(22) Filed: **Jul. 19, 2013**

(51) **LOC (10) Cl.** **08-08**

(52) **U.S. Cl.**
USPC **D8/394**

(58) **Field of Classification Search**
USPC D8/354, 356, 371, 394, 395, 396, 349, D8/355, 382, 383, 393, 499; D21/468, D21/470, 471, 479, 521, 385, 386, 694, 695, D21/697
CPC F16L 3/00; F16L 3/085; H02G 3/32; B64C 1/406; F16B 7/042; F16B 7/04
See application file for complete search history.

(56) **References Cited**

U.S. PATENT DOCUMENTS

753,399	A	3/1904	Hunt	
3,228,640	A	1/1966	Wolsh	
3,259,347	A	7/1966	Yates	
D228,877	S *	10/1973	Hirt	D8/394
4,616,749	A	10/1986	Briggs	
5,137,243	A	8/1992	Stevens et al.	
D357,171	S *	4/1995	Studdiford	D8/349
D361,506	S	8/1995	Rumpel	
5,441,224	A	8/1995	Ludwig	
D373,947	S *	9/1996	Parduhn	D8/373
D395,996	S *	7/1998	Fischer	D8/349

5,820,479	A	10/1998	Cline et al.	
D409,684	S *	5/1999	Elling et al.	D21/503
D415,217	S *	10/1999	Rudy	D21/503
D447,045	S	8/2001	Hundley	
D482,597	S *	11/2003	Brass et al.	D8/354
6,760,956	B1	7/2004	Lee et al.	
D506,668	S *	6/2005	Black	D8/354
D516,135	S *	2/2006	Kim	D21/503
D531,890	S *	11/2006	Bentrim	D8/382

(Continued)

FOREIGN PATENT DOCUMENTS

GB 906258 A * 9/1962 F16B 7/04

Primary Examiner — Sheryl Lane

Assistant Examiner — Ieisha Price

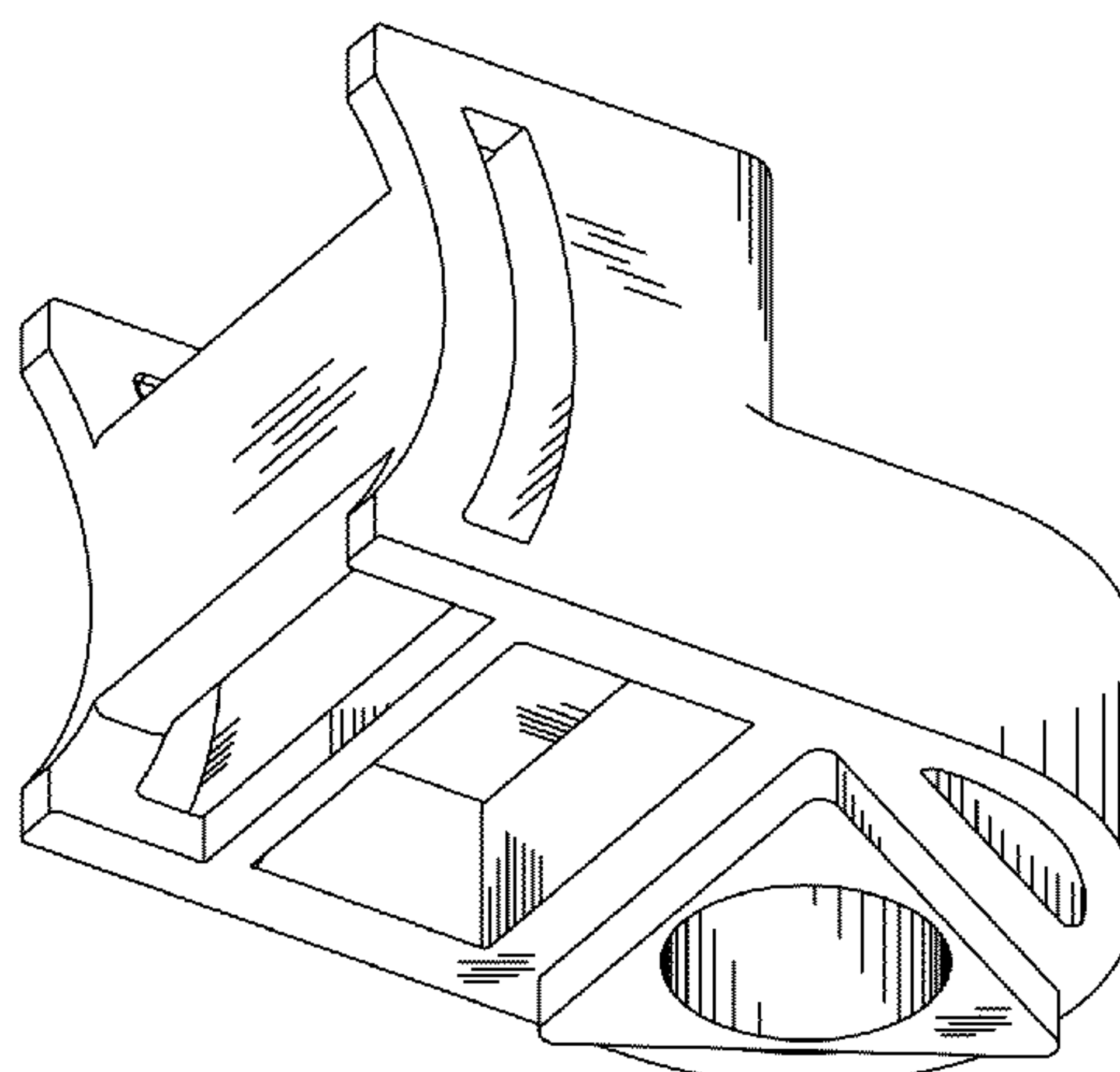
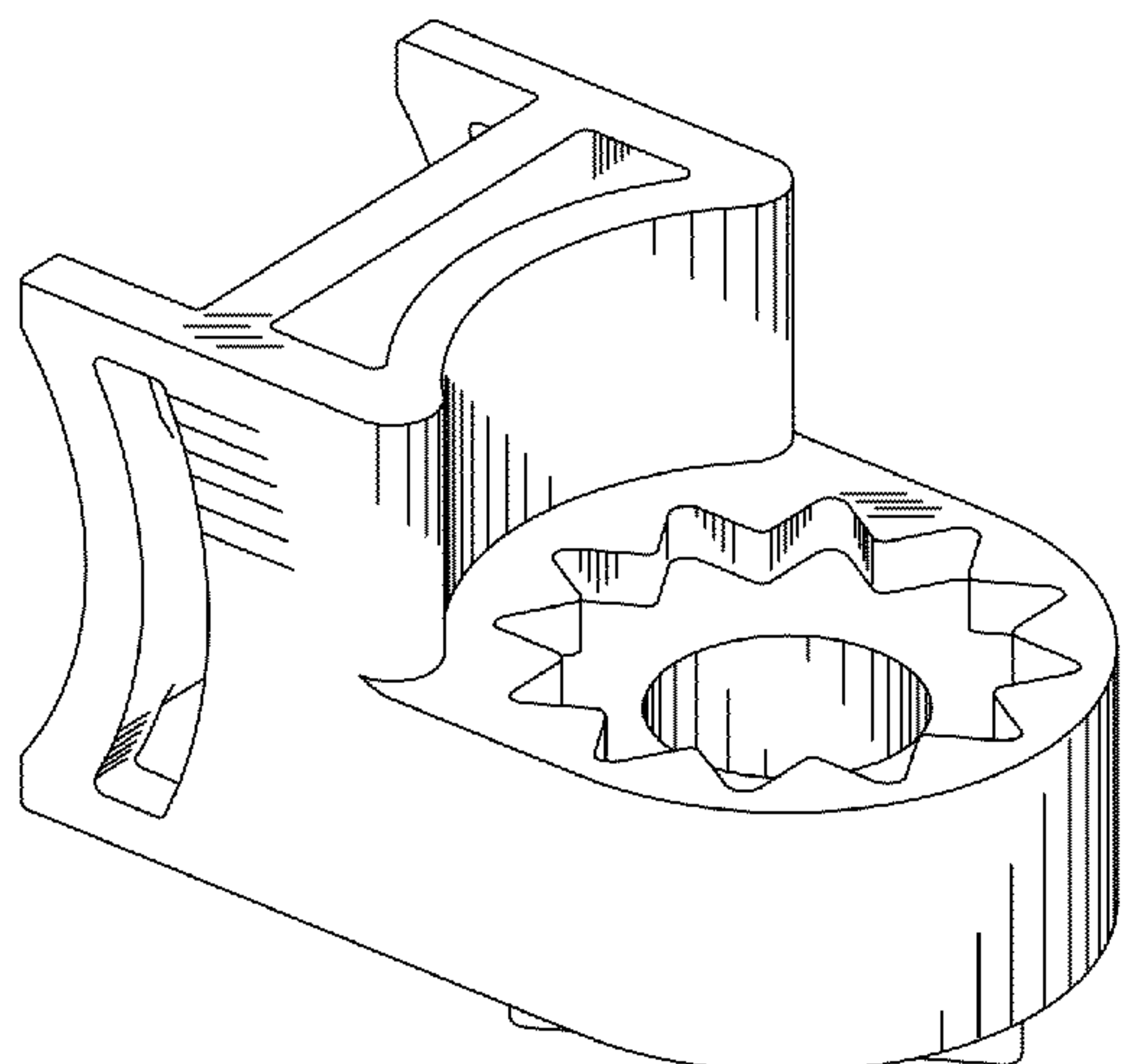
(57) **CLAIM**

The ornamental design for a stackable clamp, design as shown and described.

DESCRIPTION

FIG. 1 is a top front perspective view of a stackable clamp. FIG. 2 is a top rear perspective view of the stackable clamp, design of FIG. 1. FIG. 3 is a bottom front perspective view of the stackable clamp, design of FIG. 1. FIG. 4 is a bottom rear perspective view of the stackable clamp, design of FIG. 1. FIG. 5 is a right side view of the stackable clamp, design of FIG. 1. FIG. 6 is a left side view of the stackable clamp, design of FIG. 1. FIG. 7 is a front view of the stackable clamp, design of FIG. 1. FIG. 8 is a rear view of the stackable clamp, design of FIG. 1. FIG. 9 is a bottom view of the stackable clamp, design of FIG. 1; and, FIG. 10 is a top view of the stackable clamp, design of FIG. 1.

1 Claim, 5 Drawing Sheets



(56)

References Cited

U.S. PATENT DOCUMENTS

7,191,988 B2 *	3/2007	Kim et al.	248/68.1	D631,728 S *	2/2011	Rainey	D8/349
D569,718 S	5/2008	Nakamura et al.		D712,487 S *	9/2014	Strand	D21/484
D575,088 S	8/2008	Saulnier		D723,355 S *	3/2015	Federspiel	D8/354
D614,944 S *	5/2010	Maro et al.	D8/394	D727,719 S *	4/2015	Ribeiro	D8/382
				2013/0047385 A1 *	2/2013	Healy et al.	24/572.1

* cited by examiner

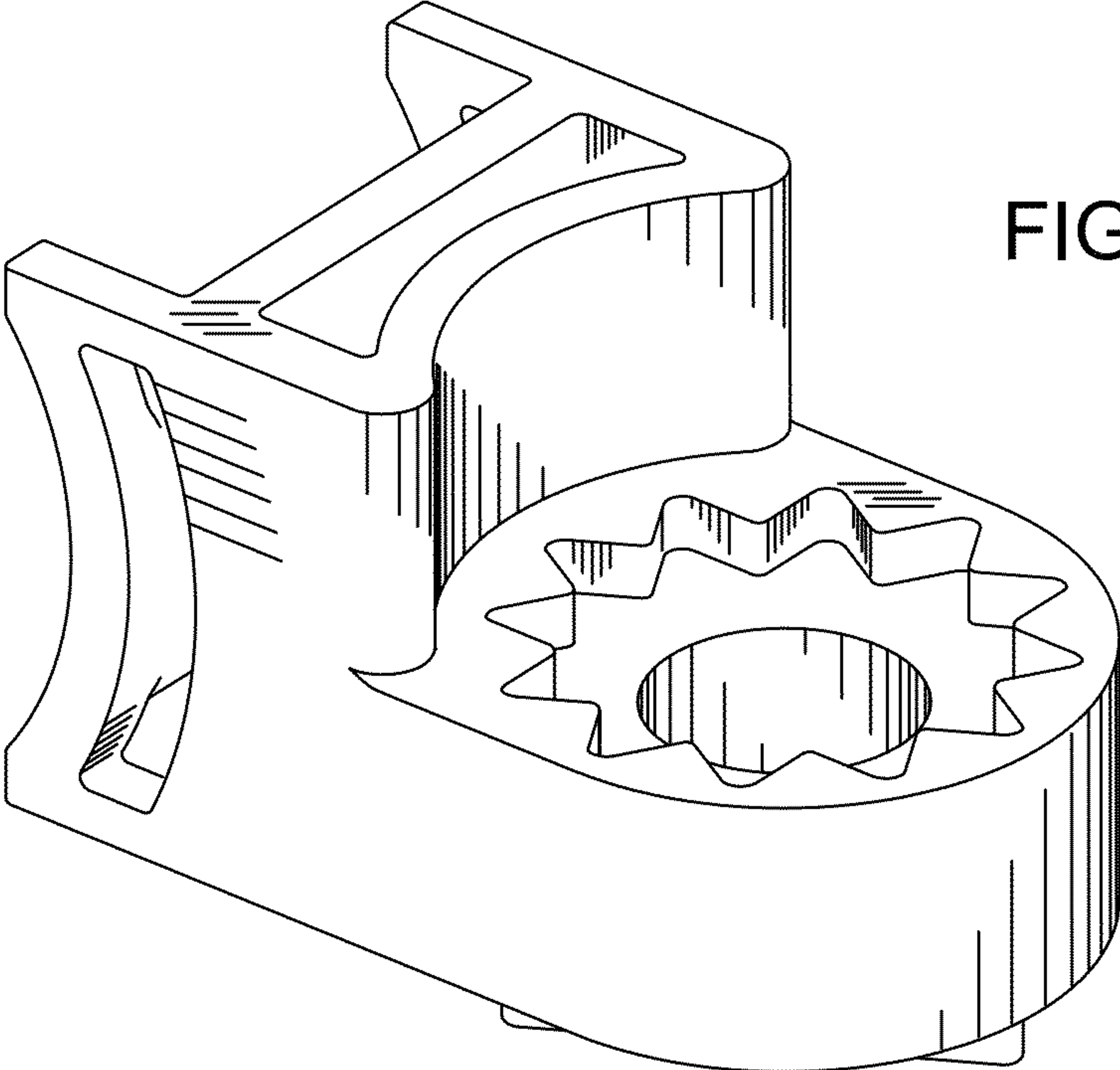


FIG. 1

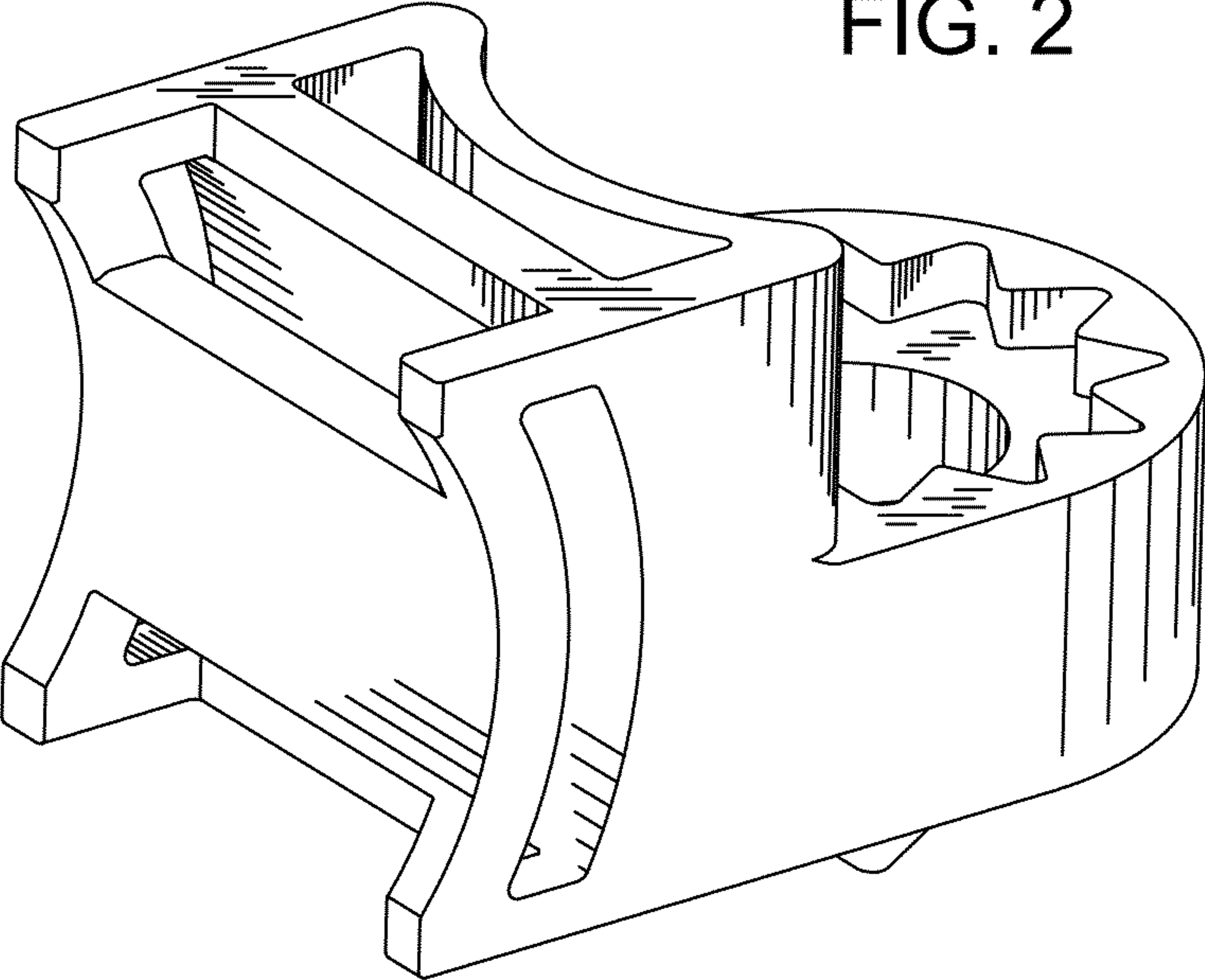


FIG. 2

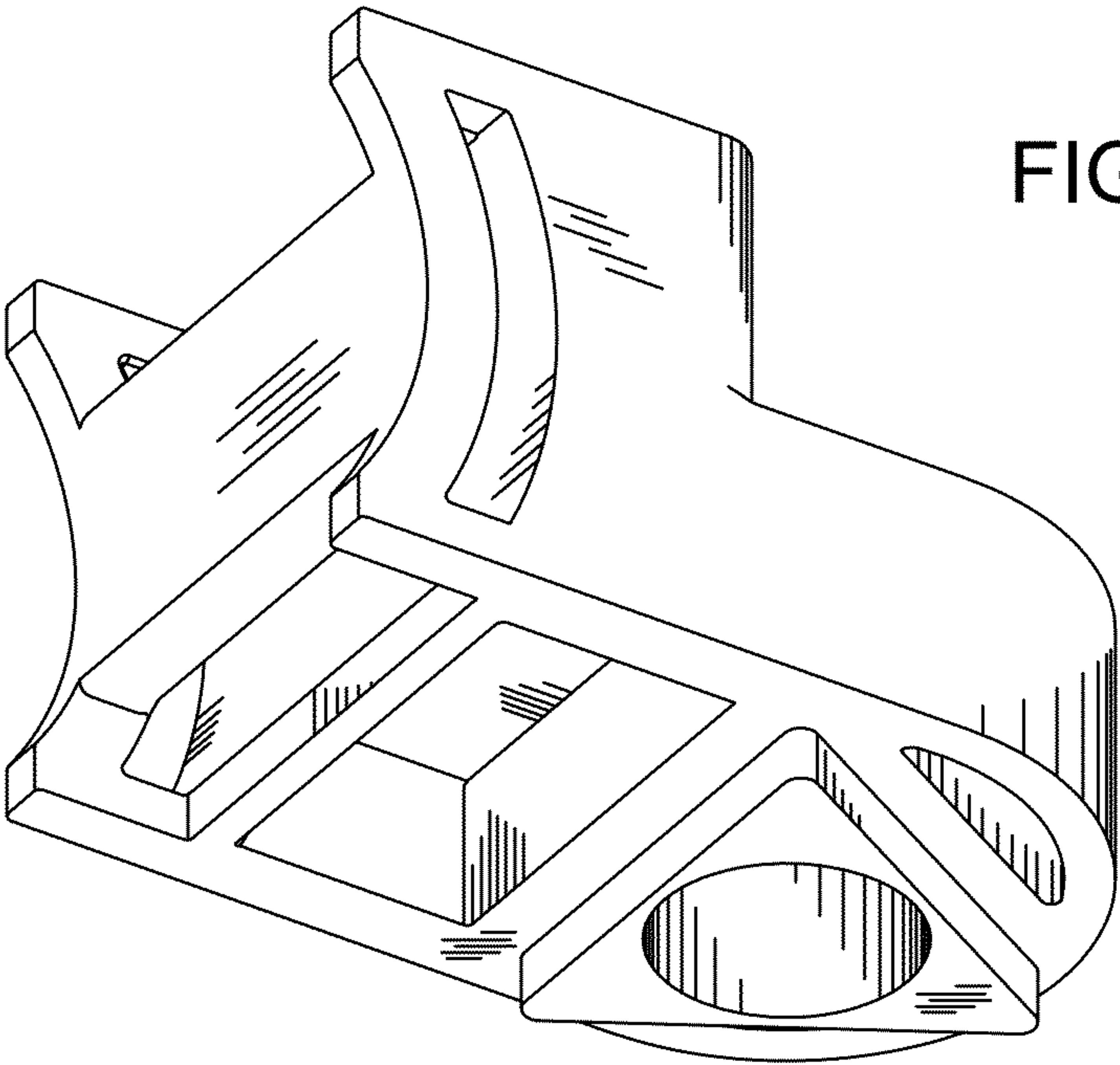


FIG. 3

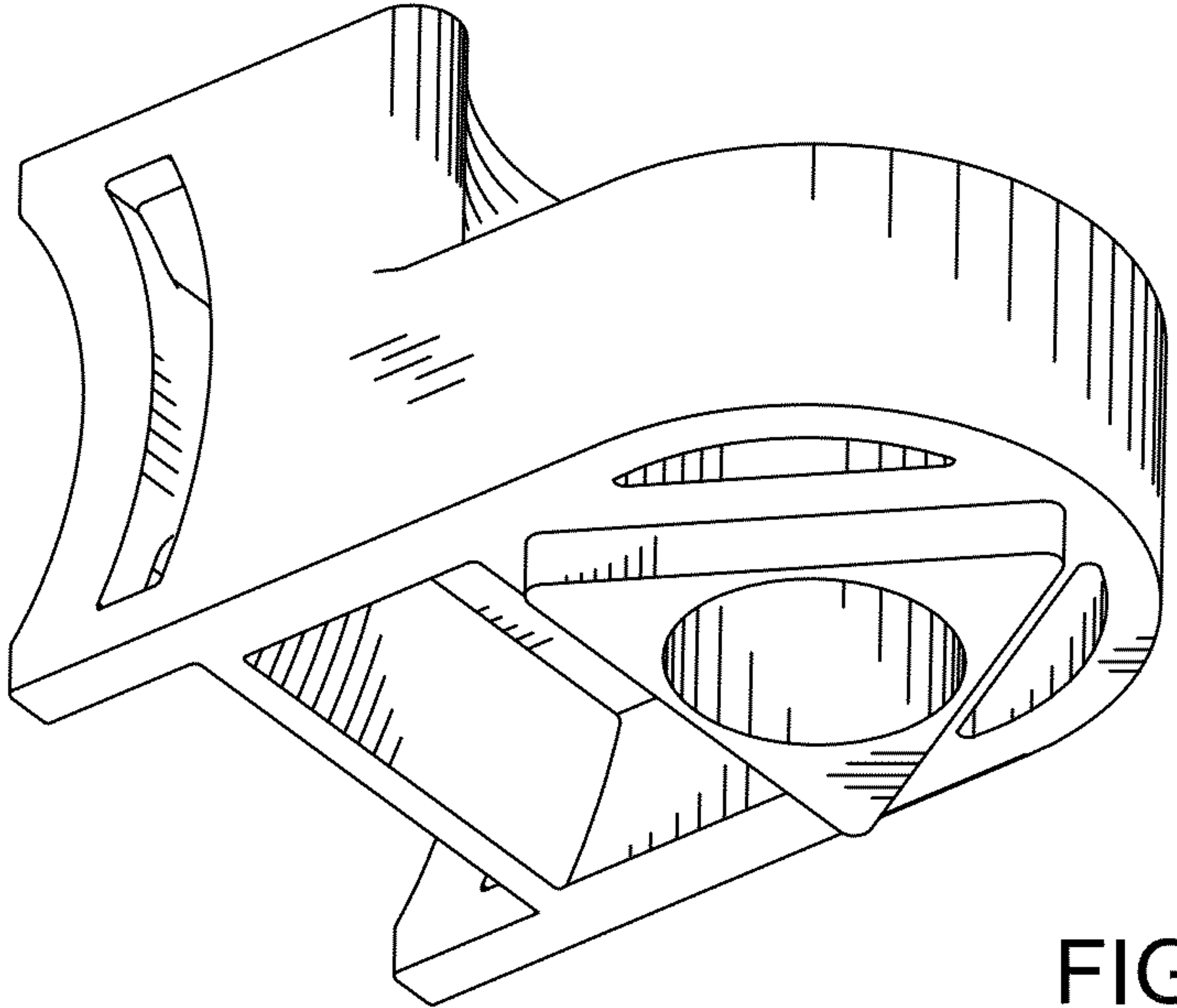


FIG. 4

FIG. 5

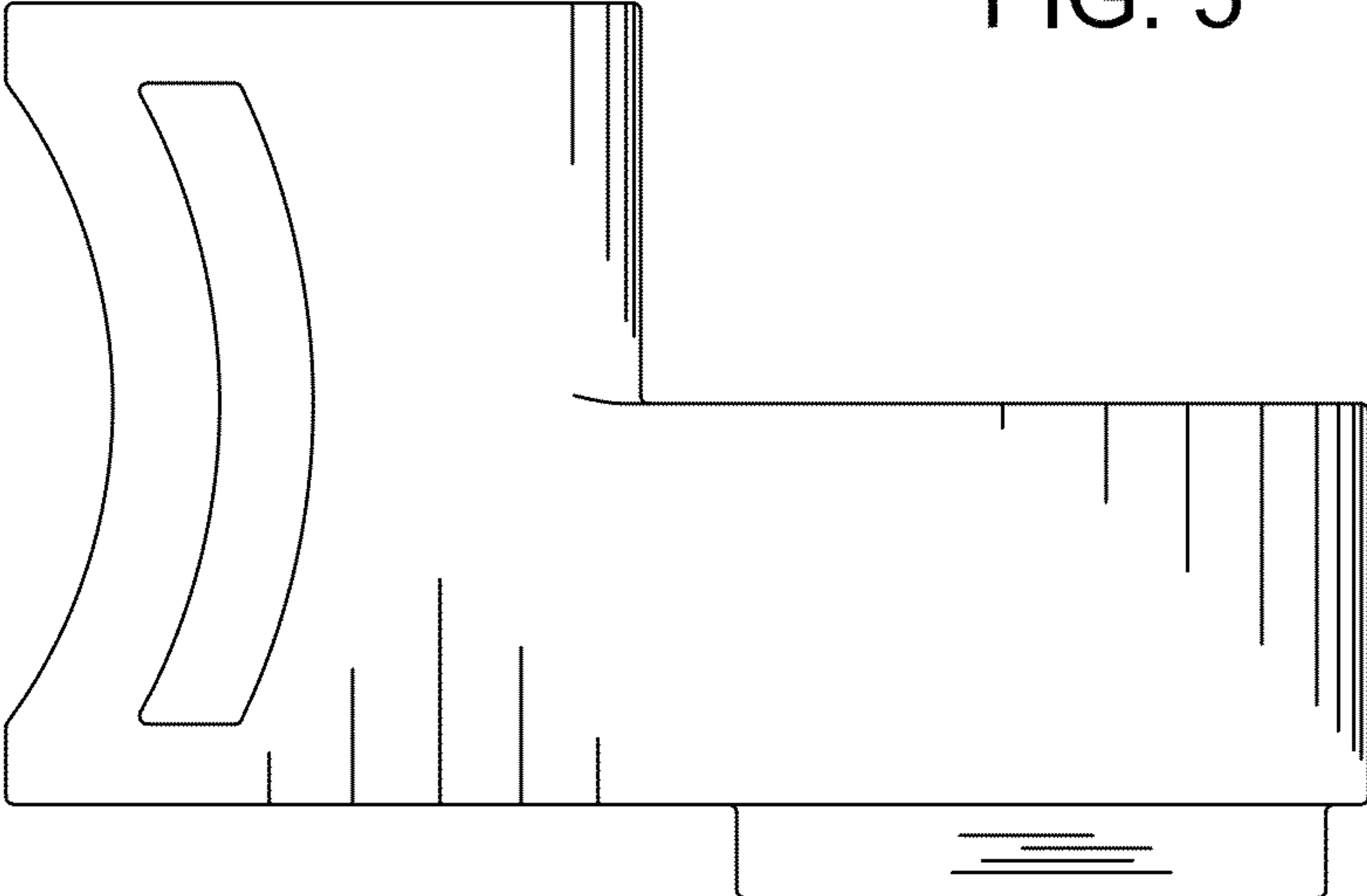
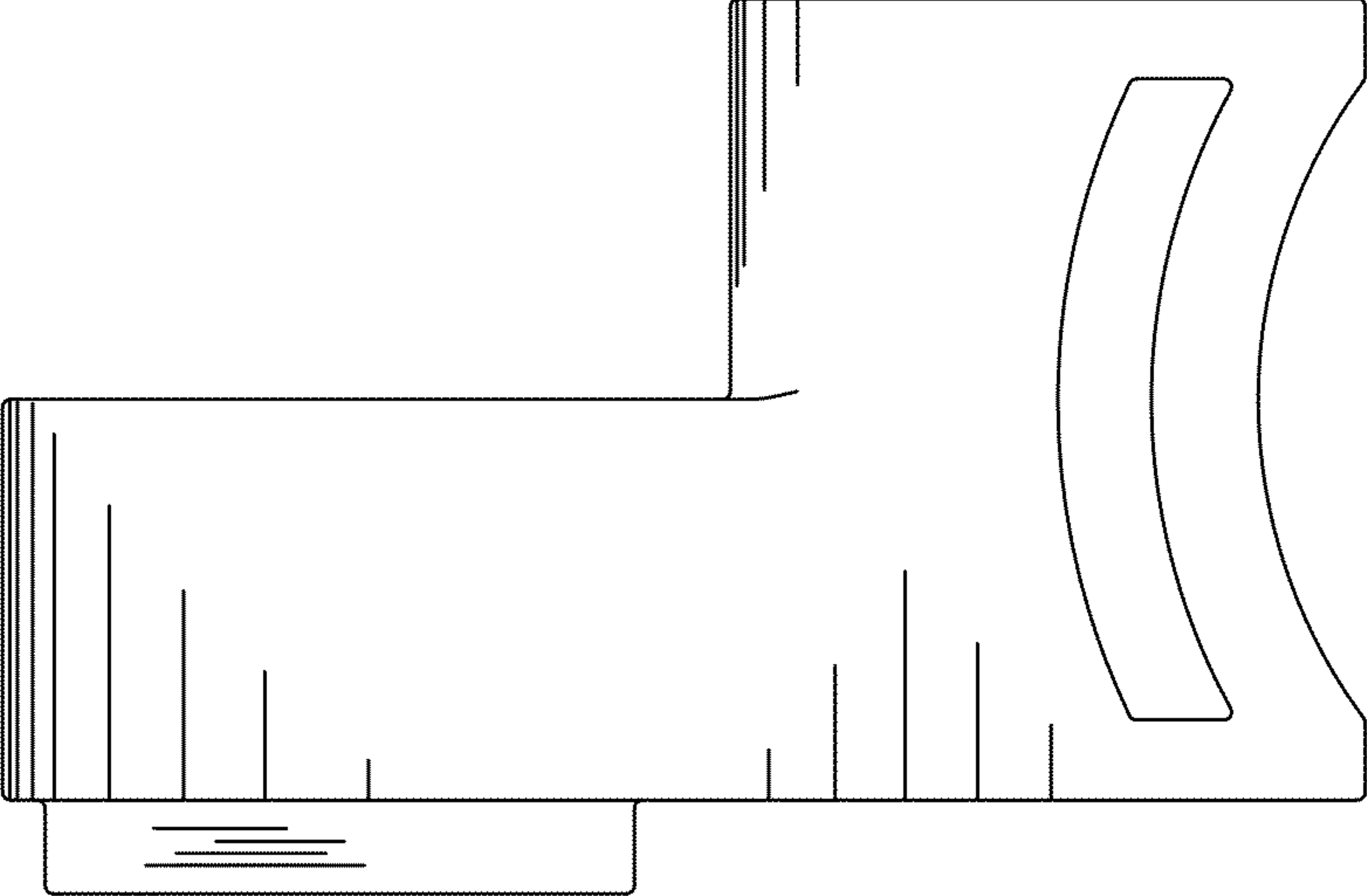


FIG. 6



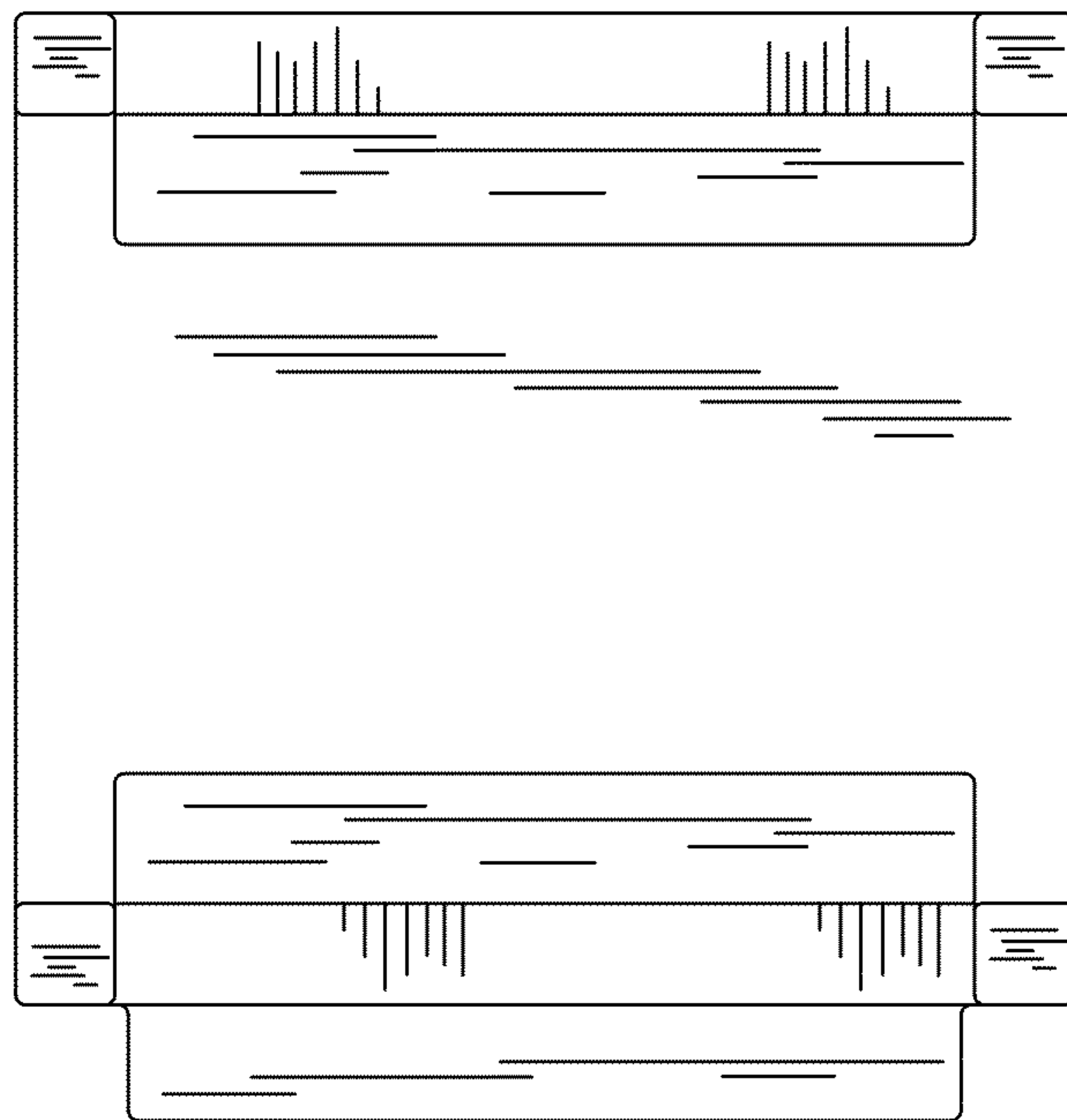


FIG. 7

FIG. 8

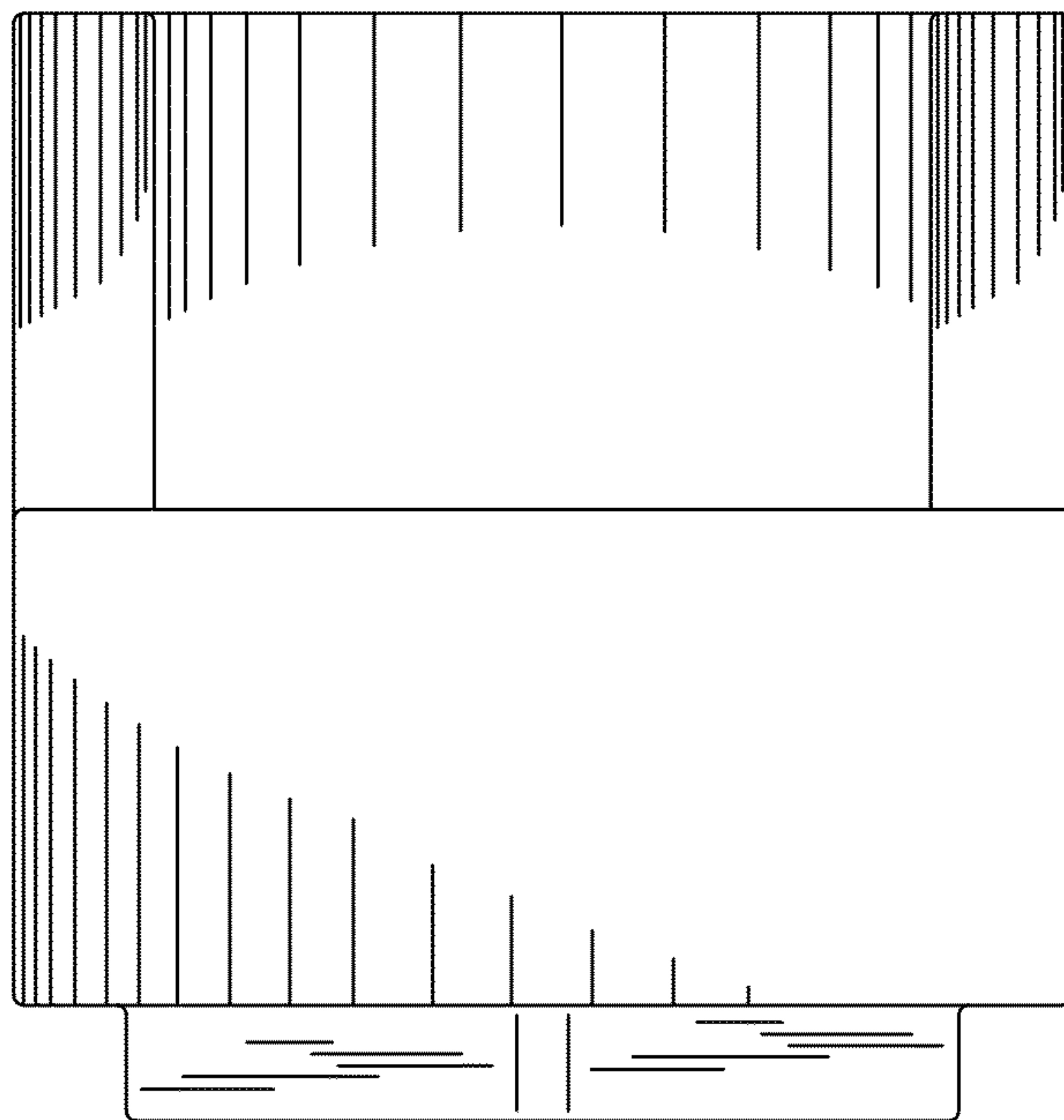


FIG. 9

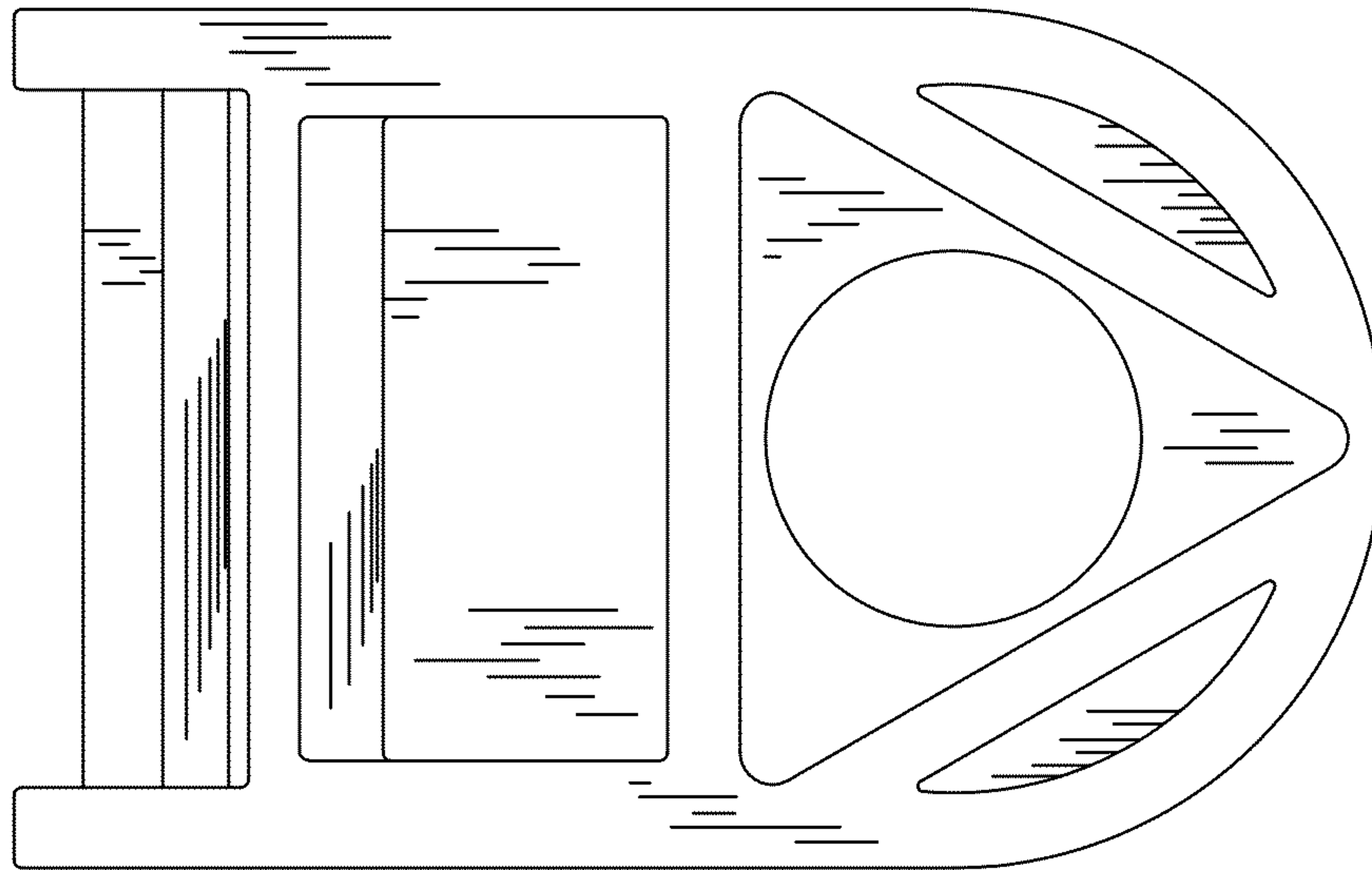


FIG. 10

