



US00D742730S

(12) **United States Design Patent**
Vandenberg

(10) **Patent No.:** **US D742,730 S**
(45) **Date of Patent:** **** Nov. 10, 2015**

- (54) **SET OF FASTENER CAPS**
- (71) Applicant: **National Nail Corp.**, Grand Rapids, MI (US)
- (72) Inventor: **Roger A. Vandenberg**, Hudsonville, MI (US)
- (73) Assignee: **National Nail Corp.**, Grand Rapids, MI (US)
- (**) Term: **14 Years**
- (21) Appl. No.: **29/497,121**
- (22) Filed: **Jul. 21, 2014**
- (51) **LOC (10) Cl.** **08-08**
- (52) **U.S. Cl.**
USPC **D8/382**
- (58) **Field of Classification Search**
USPC D8/387, 321, 322, 349, 382, 499;
D9/434, 435, 454, 499
CPC F16B 15/08; F16B 5/126; F16B 2/00;
F16B 21/06; F16B 37/14; Y10T 29/49876;
Y10S 411/904
See application file for complete search history.

5,529,451 A 6/1996 Bruins et al.
D388,134 S * 12/1997 Dunipace D21/443
5,931,622 A 8/1999 Gupta et al.

(Continued)

FOREIGN PATENT DOCUMENTS

CA 2296099 C * 1/2006 A47G 3/00
CN 201575014 U * 9/2010 F16B 13/06

(Continued)

Primary Examiner — Sheryl Lane
Assistant Examiner — Ieisha Price
(74) *Attorney, Agent, or Firm* — Warner Norcross & Judd LLP

(57) **CLAIM**
The ornamental design for set of fastener caps, as shown and described.

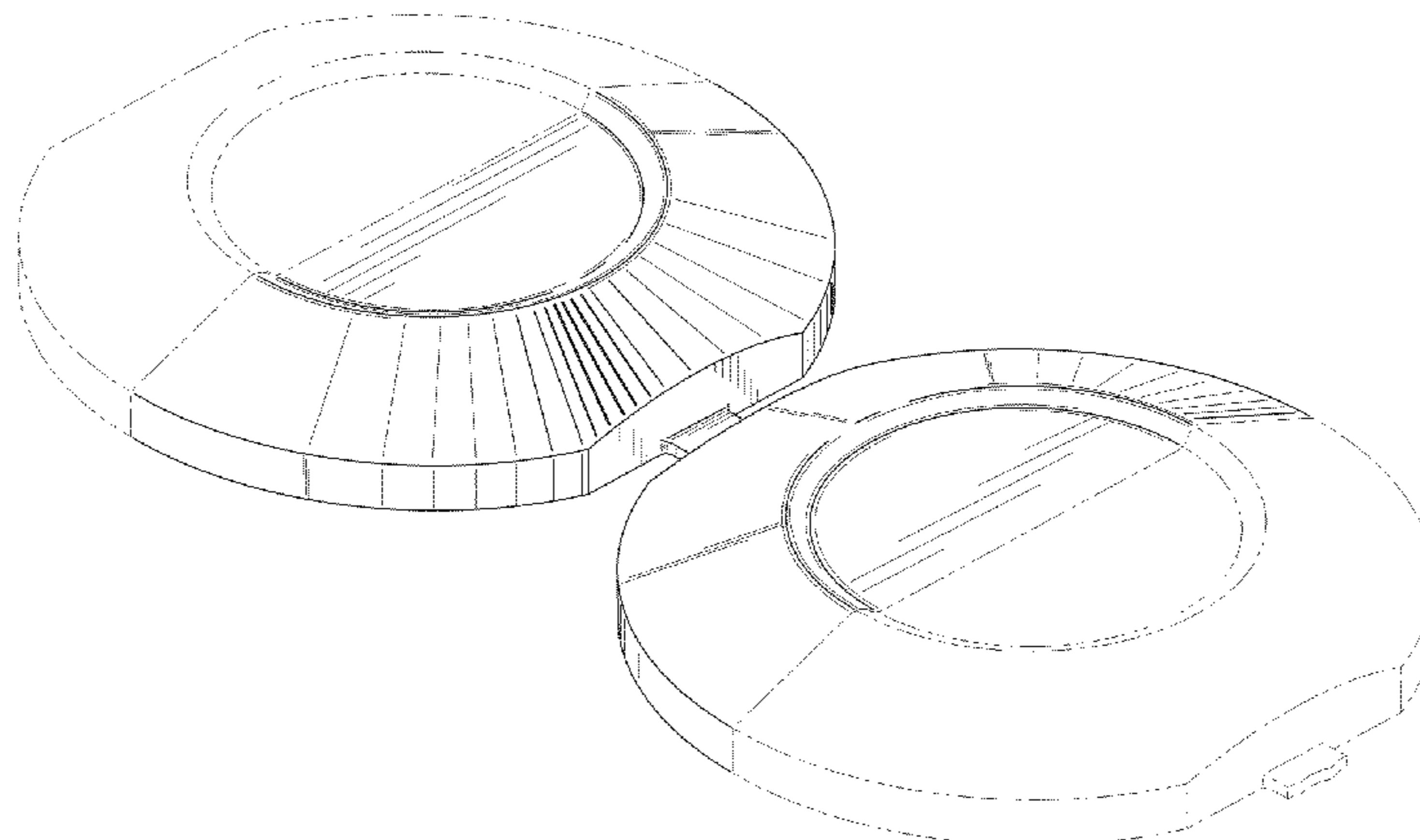
DESCRIPTION

FIG. 1 is a perspective view of the first embodiment of a set of fastener caps;
FIG. 2 is a right side view thereof, the left side being a mirror image thereof;
FIG. 3 is a front view thereof, the rear view being a mirror image thereof;
FIG. 4 is a top view thereof;
FIG. 5 is a bottom view thereof;
FIG. 6 is a perspective view of the second embodiment of a set of fastener caps;
FIG. 7 is a right side view thereof, the left side being a mirror image thereof;
FIG. 8 is a front view thereof, the rear view being a mirror image thereof;
FIG. 9 is a top view thereof; and,
FIG. 10 is a bottom view thereof.
FIGS. 1-10 show features of a set of fastener caps in phantom lines. These features are shown for environmental purposes and do not form any part of the claimed design. The phantom lines immediately adjacent the solid-line portions of the design form the boundary of the design, with the phantom lines forming no part of the claimed design.

1 Claim, 4 Drawing Sheets

(56) **References Cited**
U.S. PATENT DOCUMENTS

2,366,510 A	1/1945	Frank	
3,968,582 A *	7/1976	Jones	A44C 21/00 264/246
4,576,591 A	3/1986	Kaye et al.	
4,586,609 A	5/1986	Won	
4,701,089 A *	10/1987	Nettel	F16B 37/14 411/373
D293,299 S *	12/1987	Parad	D9/446
4,801,064 A	1/1989	Mangone, Jr.	
5,407,313 A	4/1995	Bruins et al.	
5,419,666 A *	5/1995	Best	E04D 3/38 411/373
5,478,051 A	12/1995	Mauer	



(56)

References Cited

U.S. PATENT DOCUMENTS

5,934,504 A 8/1999 Elliott
 5,947,362 A 9/1999 Omli
 5,967,316 A 10/1999 Abbruzzese et al.
 6,145,725 A 11/2000 Omli
 6,478,209 B1 11/2002 Bruins et al.
 6,494,322 B1 12/2002 Habermehl et al.
 6,726,521 B2 * 4/2004 Peterson A63H 33/18
 446/46
 6,736,303 B2 5/2004 Bruins et al.
 6,779,700 B2 8/2004 Bruins et al.
 6,968,945 B2 11/2005 Bruins et al.
 D522,857 S * 6/2006 Tabeshnekoo D9/435
 7,207,095 B2 4/2007 Bruins et al.
 7,217,169 B1 * 5/2007 Anderson A63H 33/18
 446/46
 7,232,050 B2 6/2007 Omli
 7,344,058 B2 3/2008 Bruins et al.
 7,481,346 B2 1/2009 Vanden Berg et al.
 7,530,483 B2 5/2009 Bruins et al.
 7,628,305 B2 12/2009 Vanden Berg et al.
 7,836,970 B2 11/2010 Bruins et al.
 D656,264 S * 3/2012 Janssen D26/85
 D662,808 S 7/2012 Vandenberg

8,382,414 B2 2/2013 Vandenberg
 D677,147 S 3/2013 Vandenberg
 8,480,343 B2 7/2013 Vandenberg
 D693,210 S 11/2013 Vandenberg
 8,641,345 B2 * 2/2014 Zack F16B 37/14
 411/372.5
 8,672,204 B2 3/2014 Vandenberg
 D704,018 S 5/2014 Vandenberg
 D704,386 S * 5/2014 Woller D30/121
 8,747,043 B2 6/2014 Vandenberg
 D712,082 S * 8/2014 Harpenau D26/74
 2005/0265807 A1 * 12/2005 Bruins F16B 15/08
 411/480
 2009/0050664 A1 * 2/2009 Henza F16B 43/00
 227/16

FOREIGN PATENT DOCUMENTS

CN 104274235 A * 1/2015 A61B 17/86
 DE 2845492 A1 * 4/1980 F16B 37/14
 EP 0976340 A2 * 2/2000 A44B 1/08
 GB 2301160 A * 11/1996 F16B 37/14
 JP 2967164 B2 * 10/1999 F16B 37/14
 WO WO 2013110775 A1 * 8/2013 F16B 37/14

* cited by examiner

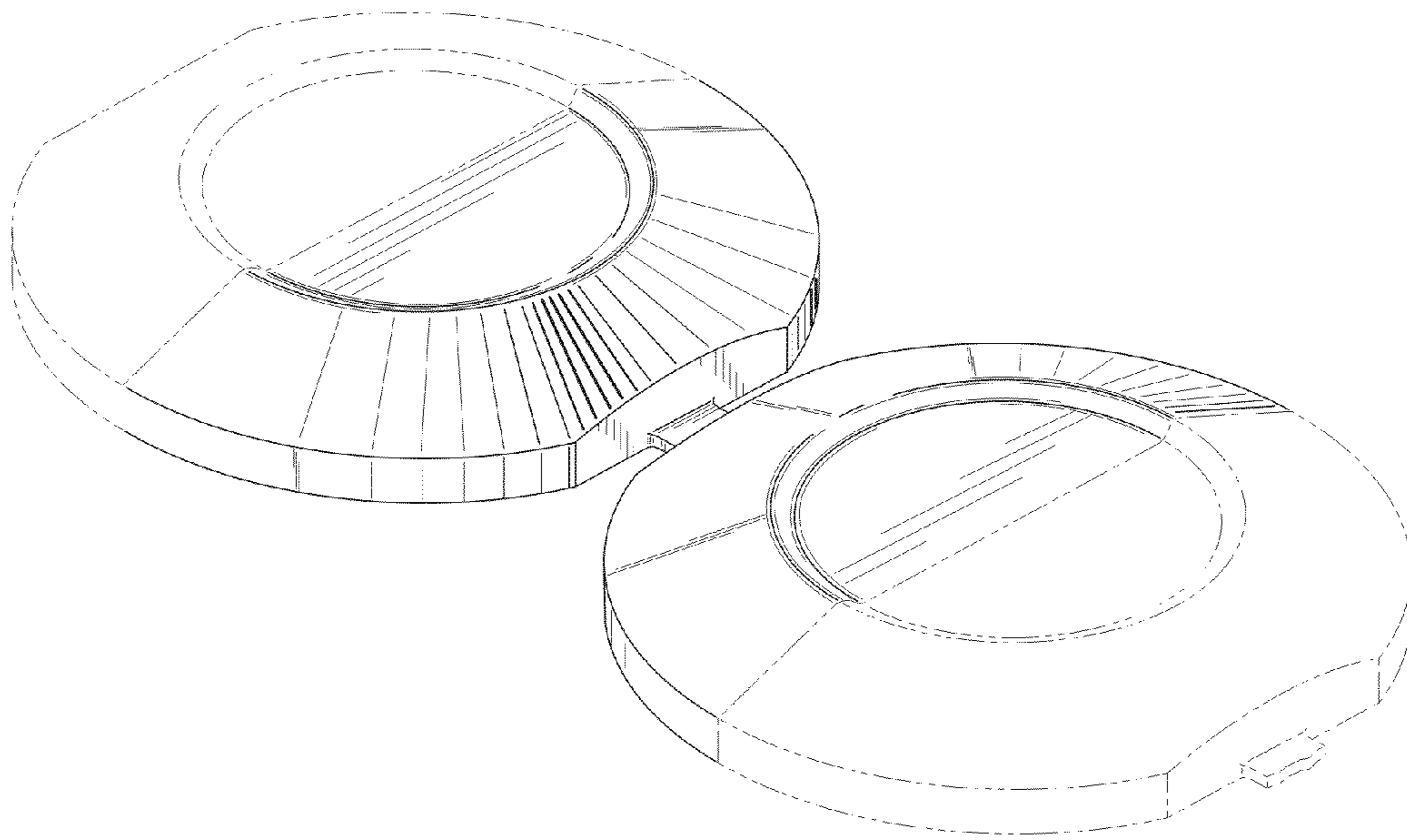


Fig. 1

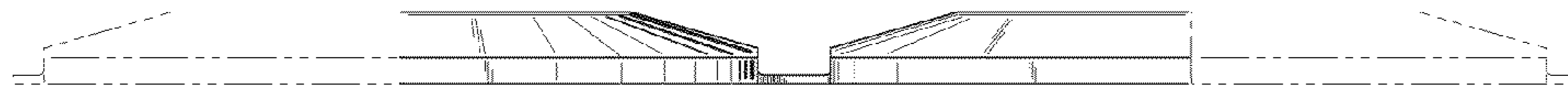


Fig. 2



Fig. 3

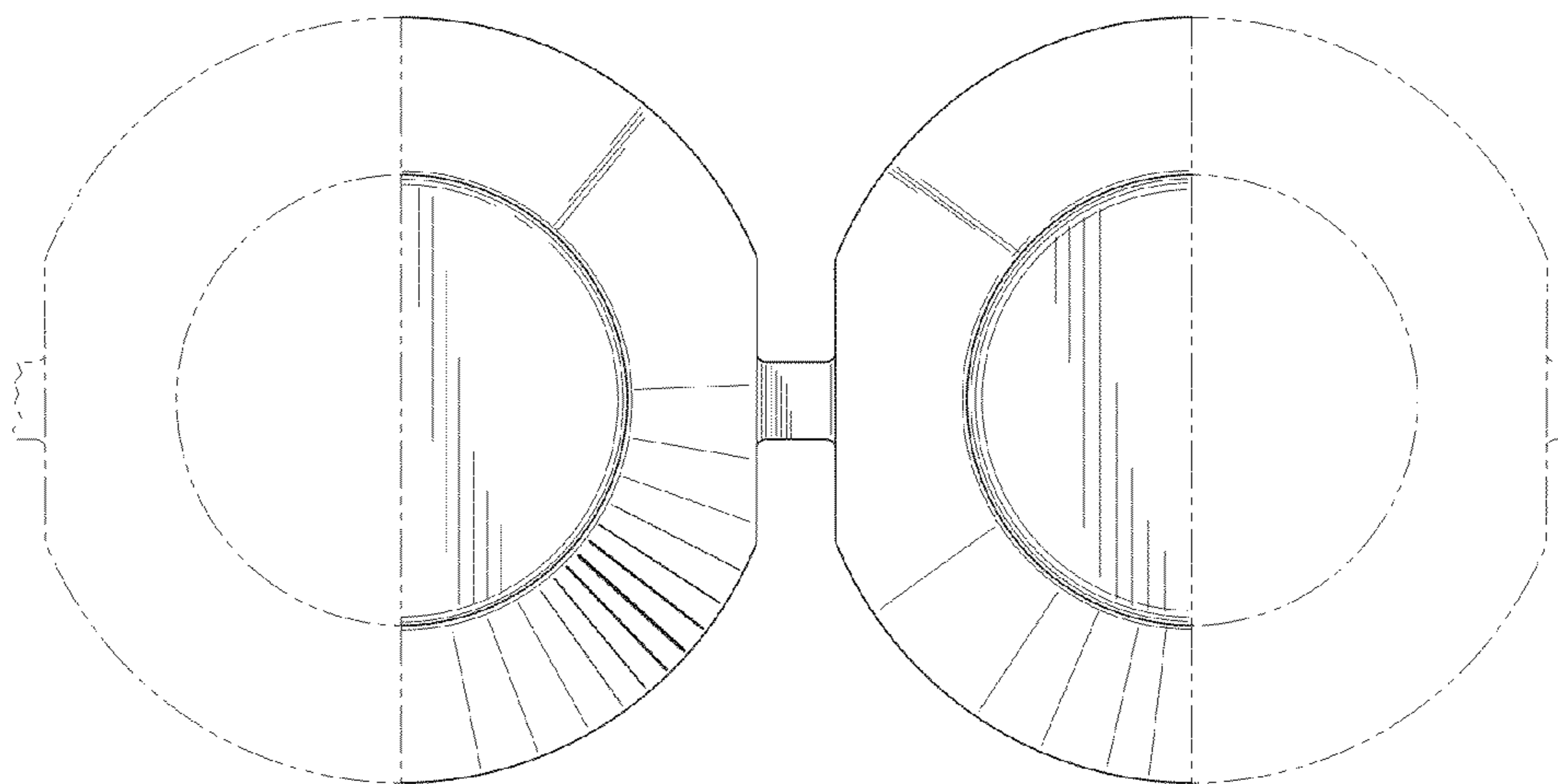


Fig. 4

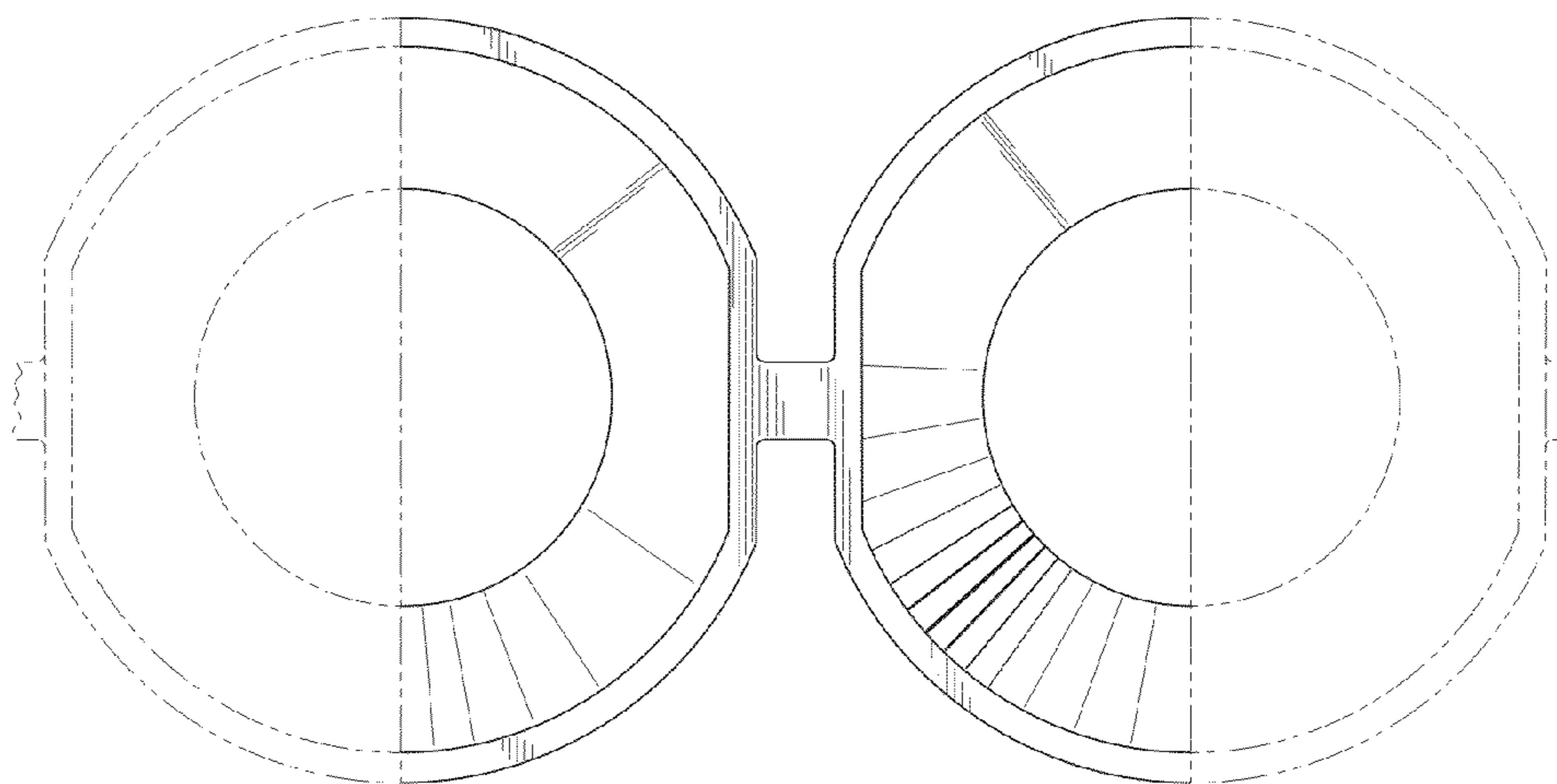


Fig. 5

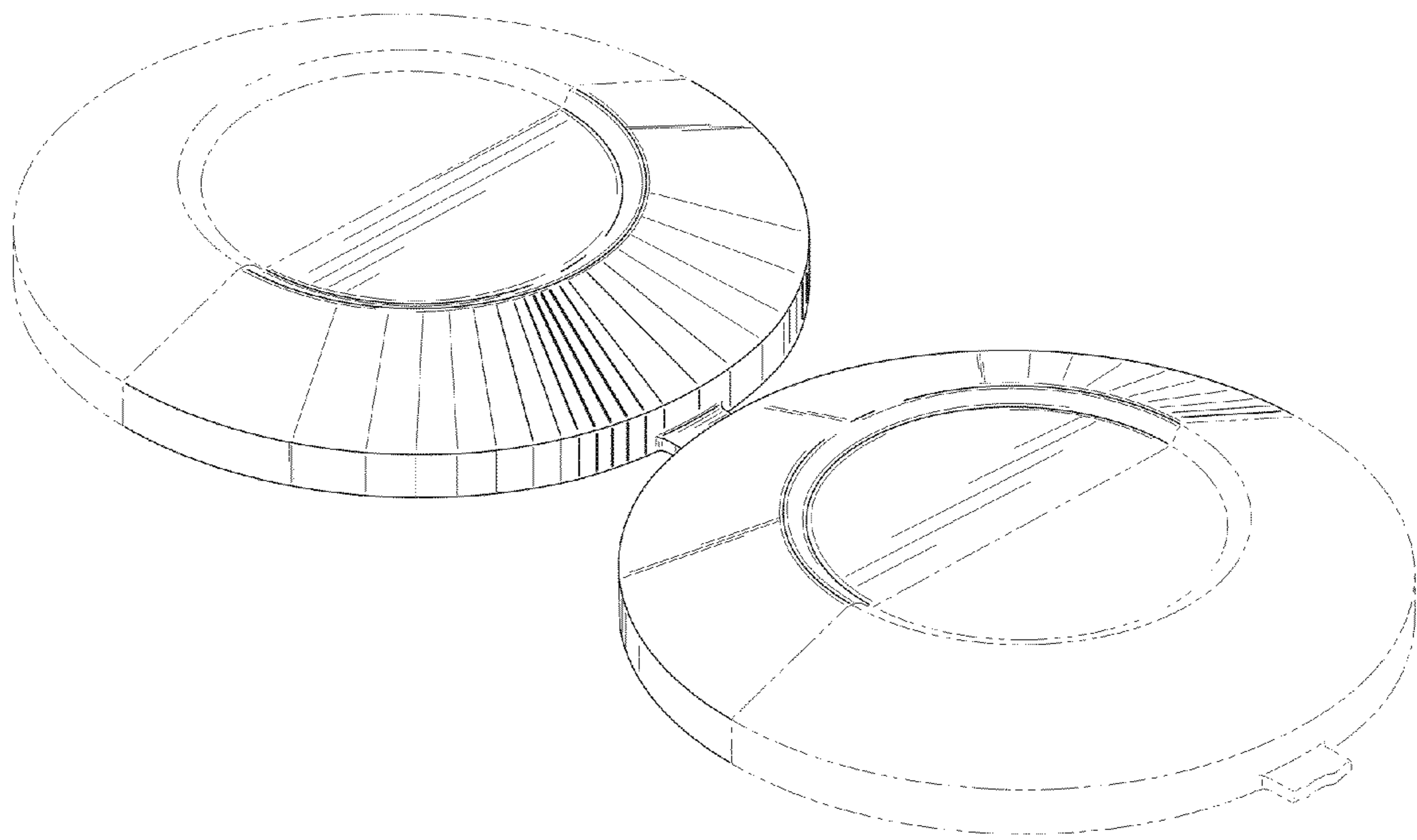


Fig. 6

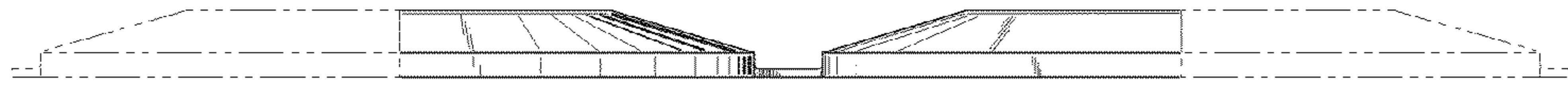


Fig. 7

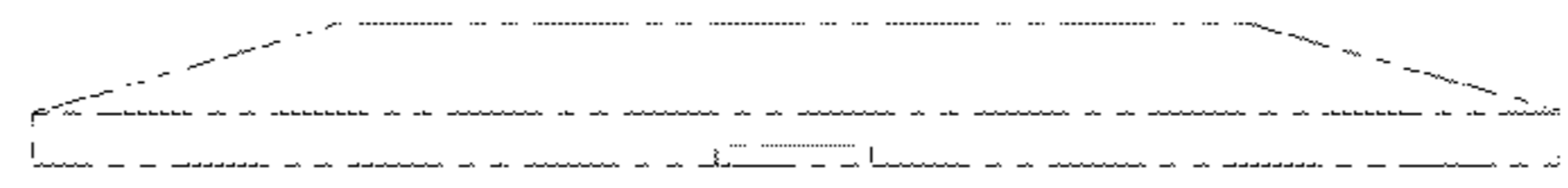


Fig. 8

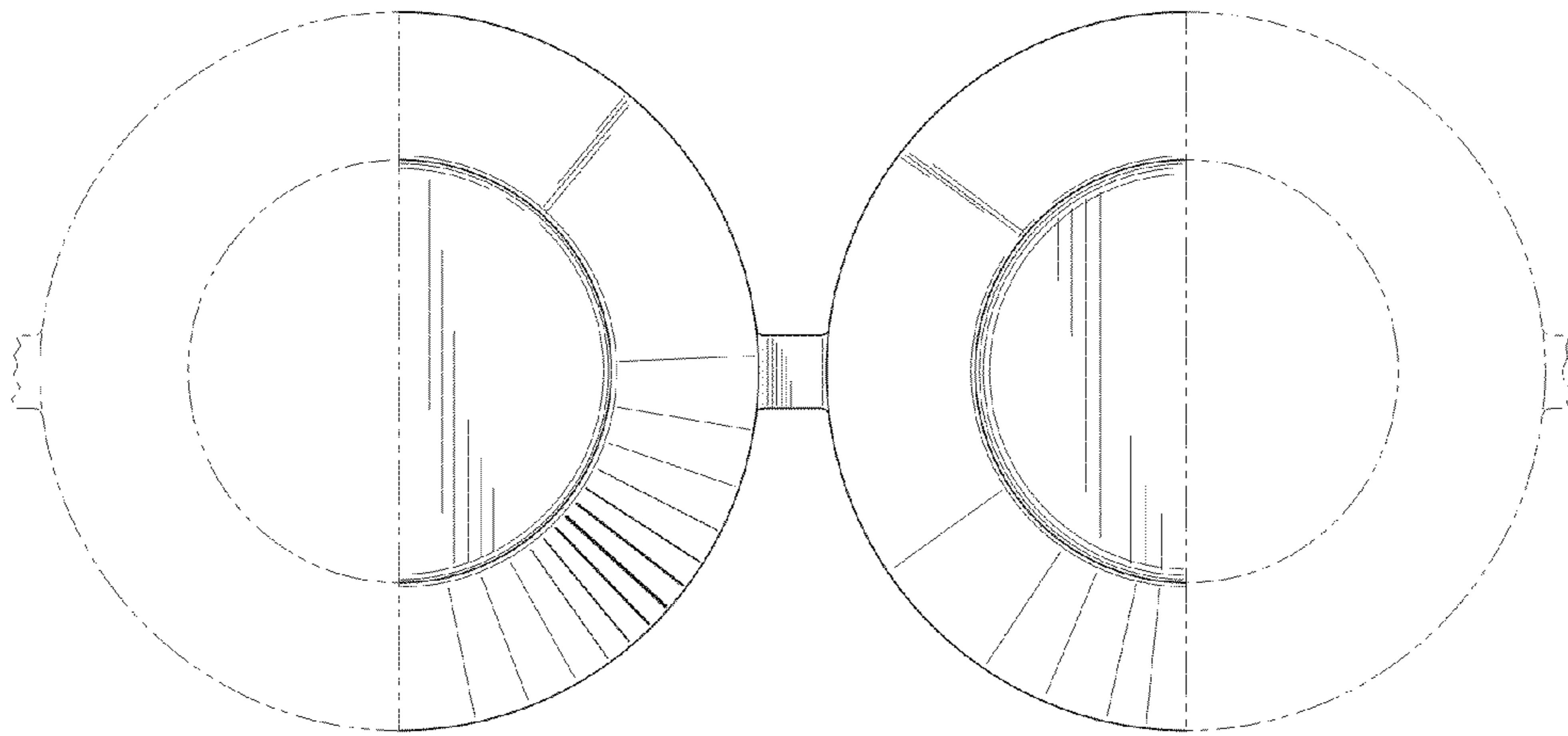


Fig. 9

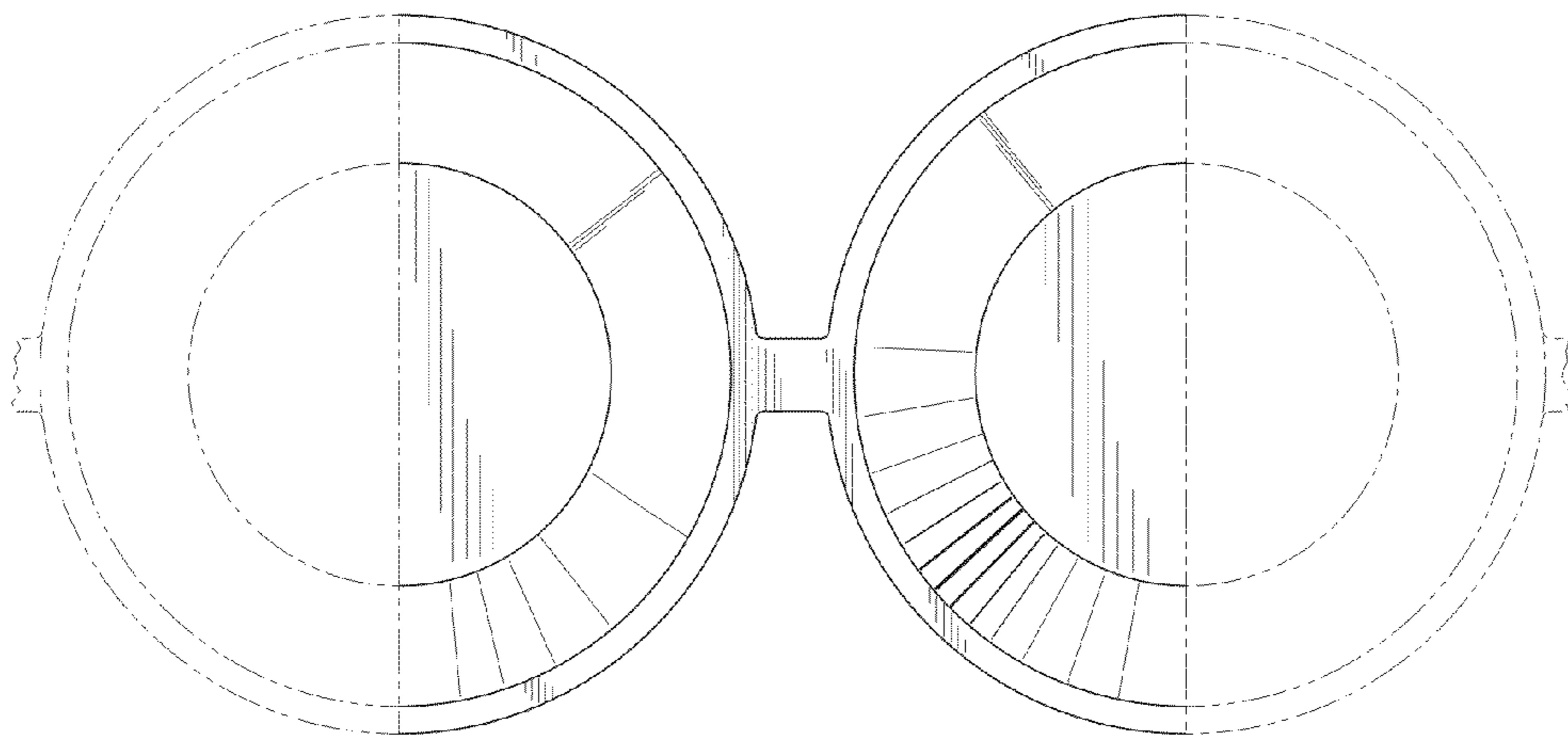


Fig. 10