



US00D742726S

(12) **United States Design Patent**
Glass et al.

(10) **Patent No.:** **US D742,726 S**
(45) **Date of Patent:** **** Nov. 10, 2015**

- (54) **HOOK FOR ATTACHING TO A PEG BOARD**
- (71) Applicant: **Gift Card Impressions, LLC**, Kansas City, MO (US)
- (72) Inventors: **Brett R. Glass**, Kansas City, MO (US); **Nicole E. Glass**, Kansas City, MO (US)
- (73) Assignee: **Gift Card Impressions, LLC**, Kansas City, MO (US)
- (**) Term: **14 Years**
- (21) Appl. No.: **29/501,630**
- (22) Filed: **Sep. 5, 2014**
- (51) **LOC (10) Cl.** **08-05**
- (52) **U.S. Cl.**
USPC **D8/367**
- (58) **Field of Classification Search**
USPC D8/367, 354, 349, 373, 323, 356;
24/132 R, 367, 354, 356; 248/301-304,
248/339, 205.3, 220.21, 220.31; 211/87.01,
211/59.1
CPC A47G 1/00; A47G 25/00
See application file for complete search history.

- D446,444 S * 8/2001 Sterling et al. D8/367
- D558,029 S * 12/2007 Ernst et al. D8/367
- D666,078 S * 8/2012 Foley et al. D8/354
- D672,637 S * 12/2012 Chung et al. D8/367
- D715,626 S * 10/2014 Pan D8/367

FOREIGN PATENT DOCUMENTS

EP 2 387 917 A1 11/2011

OTHER PUBLICATIONS

- http://www.ukexhibition.co.uk/acatalog/Euro_Hooks_Slatwall.html, printed Oct. 14, 2014; 2 pgs.
- http://www.ukexhibition.co.uk/acatalog/Euro_Hooks_Pegboard.html, printed Oct. 14, 2014; 2 pgs.
- http://www.ukexhibition.co.uk/acatalog/Euro_Prungs_Pegboards.html, printed Oct. 14, 2014; 2 pgs.
- <http://www.alliedpointofsale.ie/accessories5.html>, printed Oct. 14, 2014; 2 pgs.
- <http://www.indexplastics.co.uk/en/e-shop/point-of-sale/construction/display-arms-and-accessories>, printed Oct. 14, 2014; 7 pgs.

* cited by examiner

Primary Examiner — Cynthia Underwood
(74) *Attorney, Agent, or Firm* — Polsinelli PC

(57) **CLAIM**
The ornamental design for a hook for attaching to a peg board, as shown and described.

(56) **References Cited**

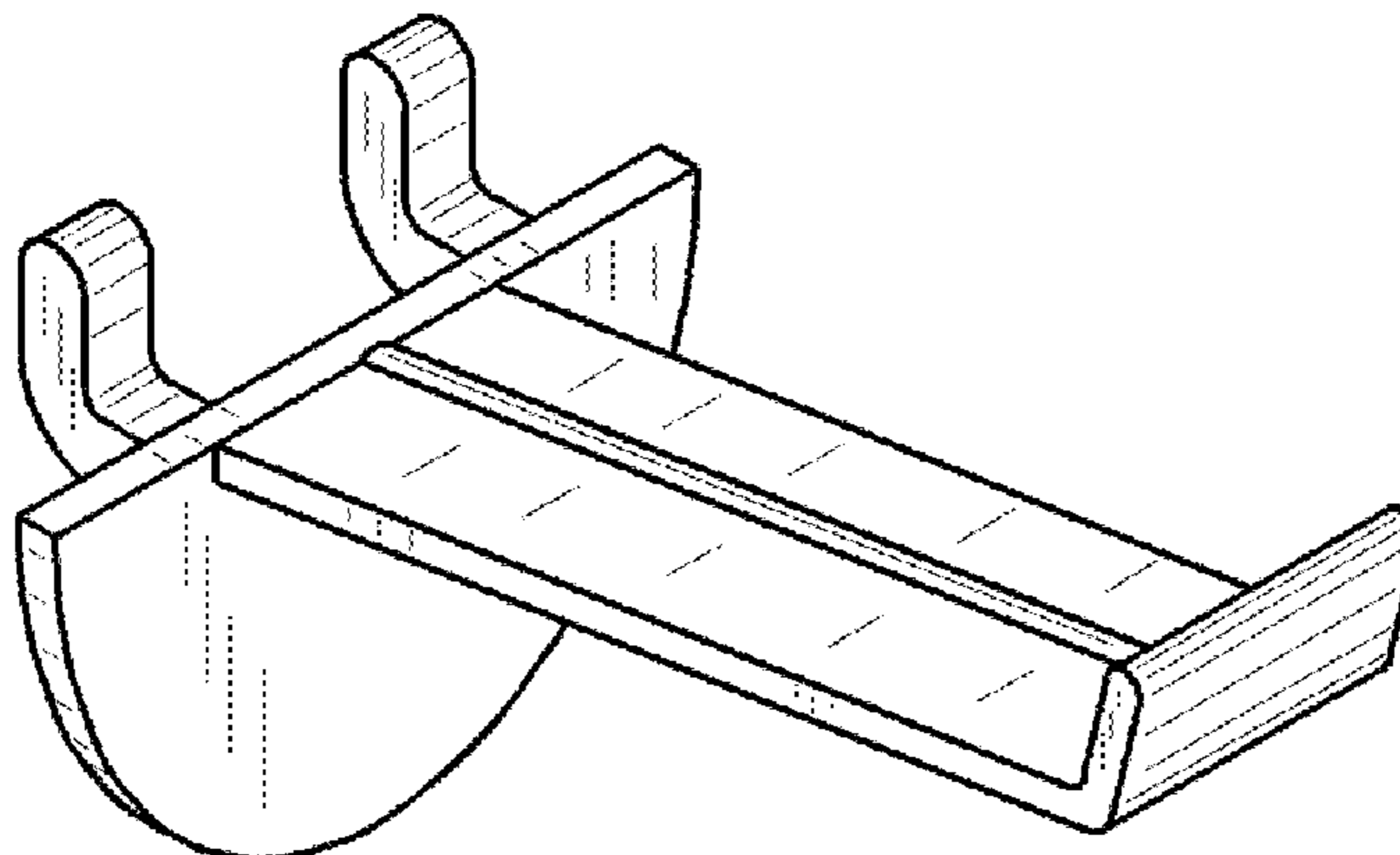
U.S. PATENT DOCUMENTS

- 1,588,566 A * 6/1926 Wismer 182/92
- 4,026,508 A 5/1977 Ziegler
- 4,382,571 A * 5/1983 Horen 248/235
- 4,671,417 A * 6/1987 O'Brien 211/59.1
- D300,003 S 2/1989 Hutchison
- D300,301 S 3/1989 Furst et al.
- 4,860,905 A * 8/1989 Schott et al. 211/59.1
- 5,109,993 A 5/1992 Hutchison
- 5,154,304 A * 10/1992 McAuley 211/59.1
- D367,001 S * 2/1996 Bright D8/381
- 5,647,566 A 7/1997 Kump
- D420,567 S * 2/2000 Laga et al. D8/373
- D430,479 S * 9/2000 McDonald D8/354

DESCRIPTION

FIG. 1 is a perspective view of a hook for attaching to a peg board according to an embodiment of the invention; FIG. 2 is a front elevation view of the hook of FIG. 1; FIG. 3 is a rear elevation view of the hook of FIG. 1; FIG. 4 is a right elevation view of the hook of FIG. 1; FIG. 5 is a left elevation view of the hook of FIG. 1; FIG. 6 is a top plan view of the hook of FIG. 1; and, FIG. 7 is a bottom plan view of the sleeve of FIG. 1.

1 Claim, 1 Drawing Sheet



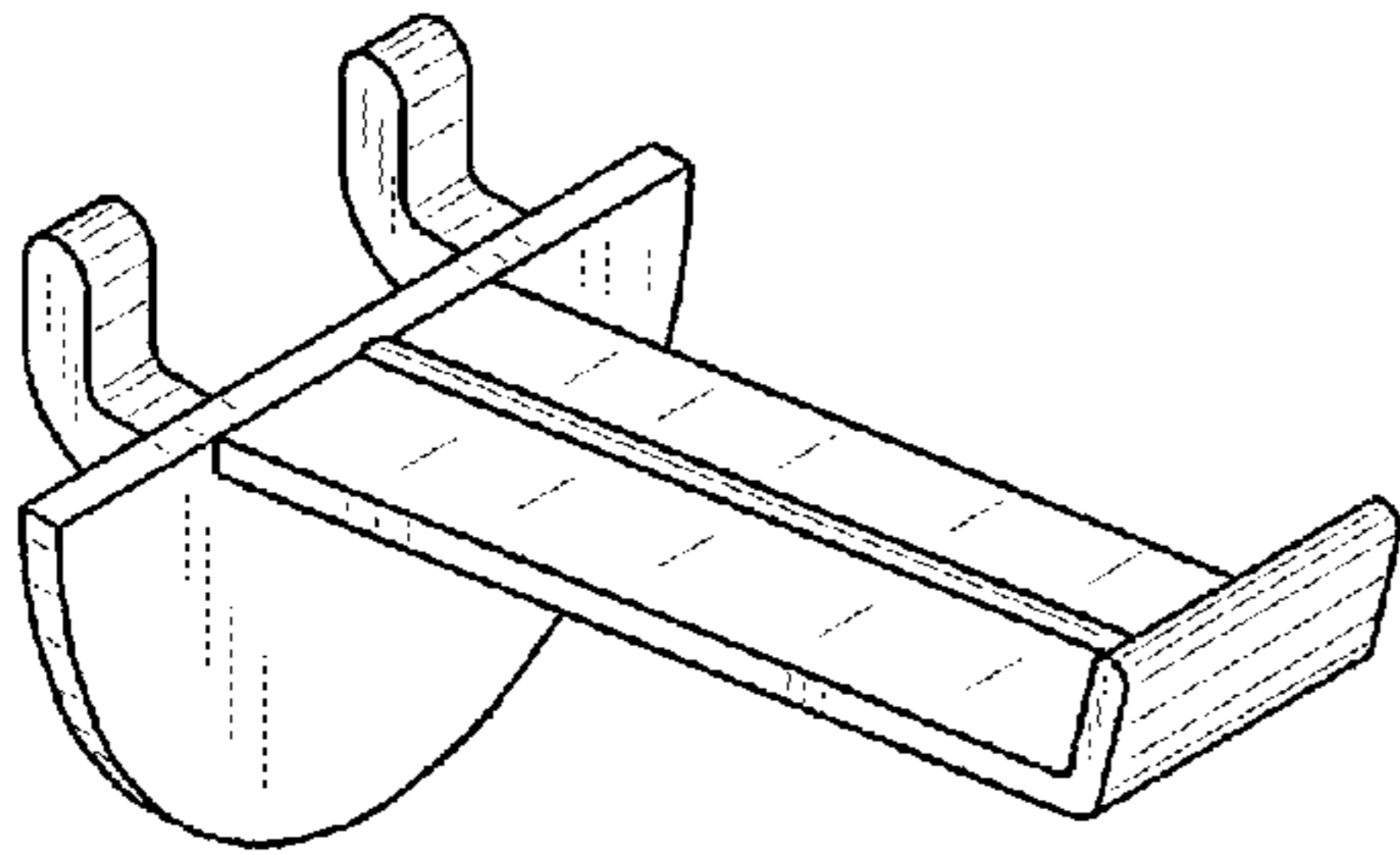


FIG. 1

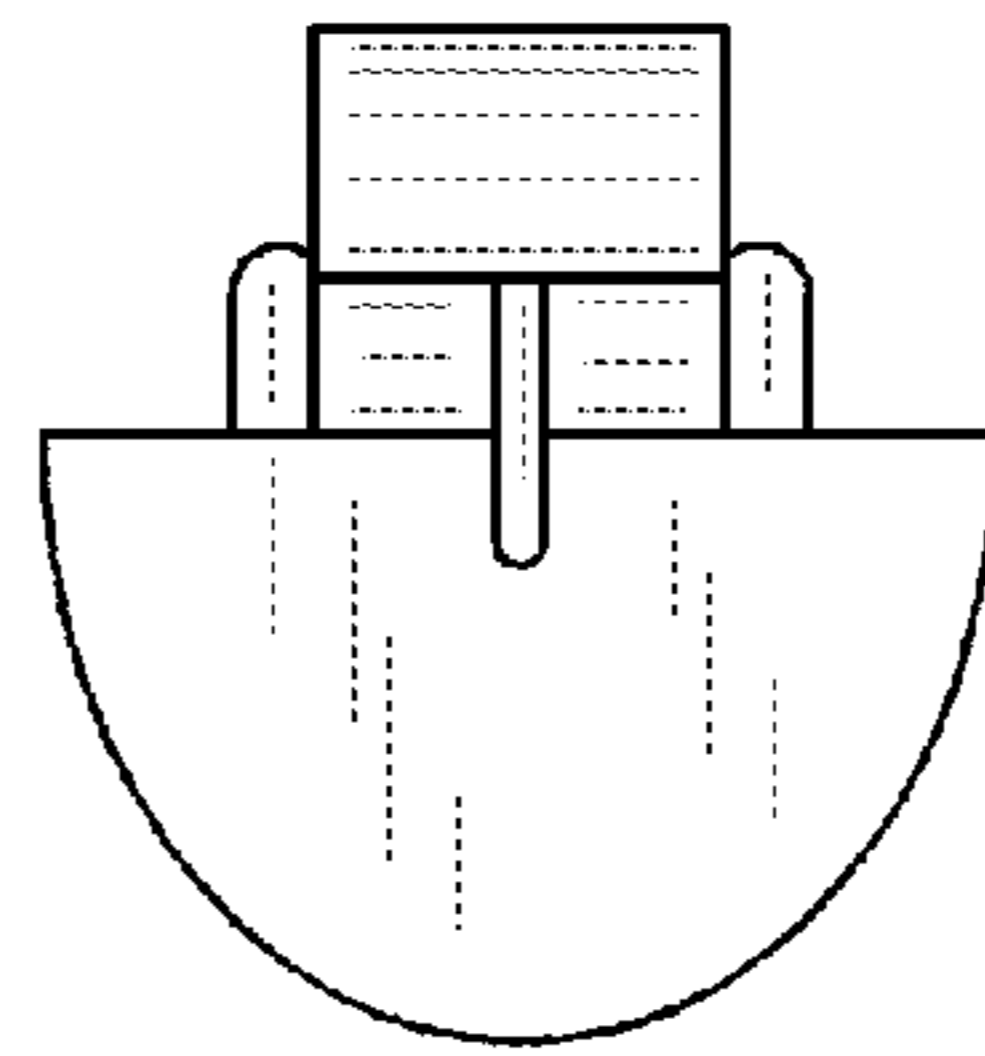


FIG. 2

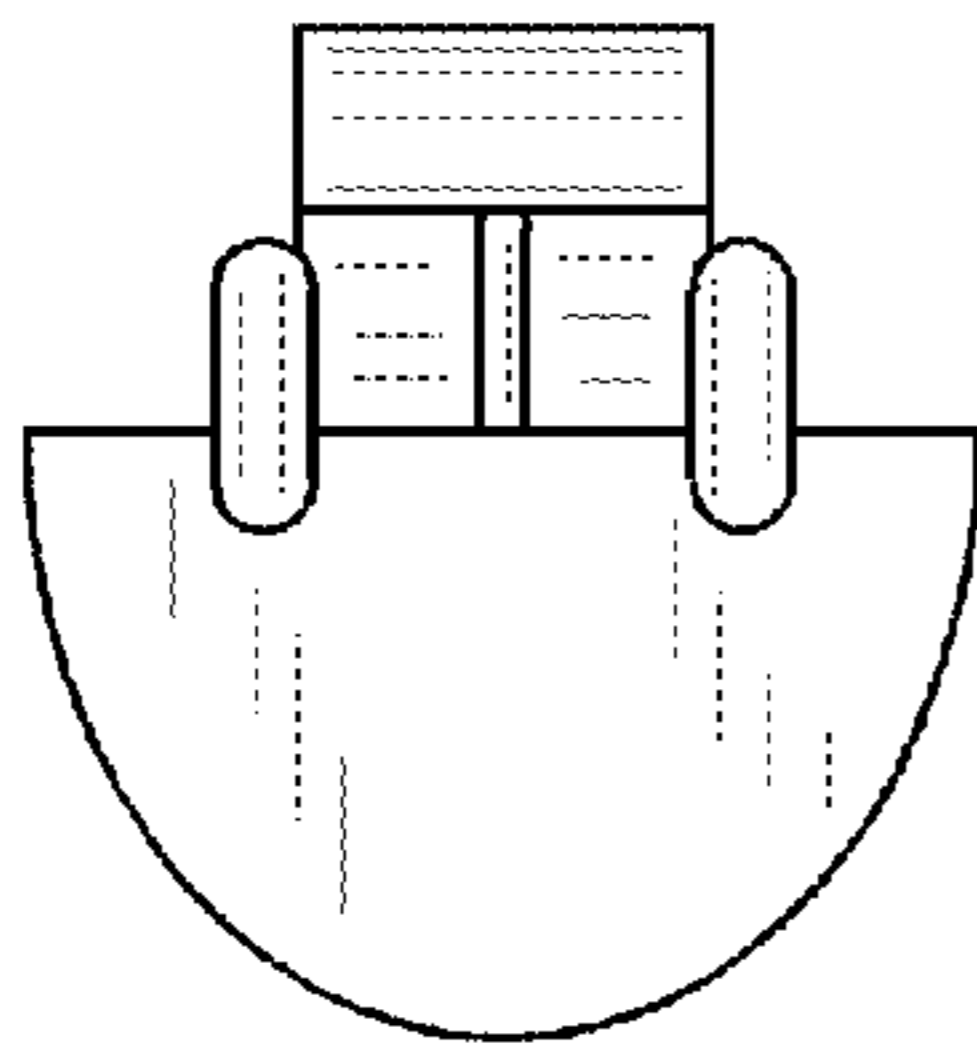


FIG. 3

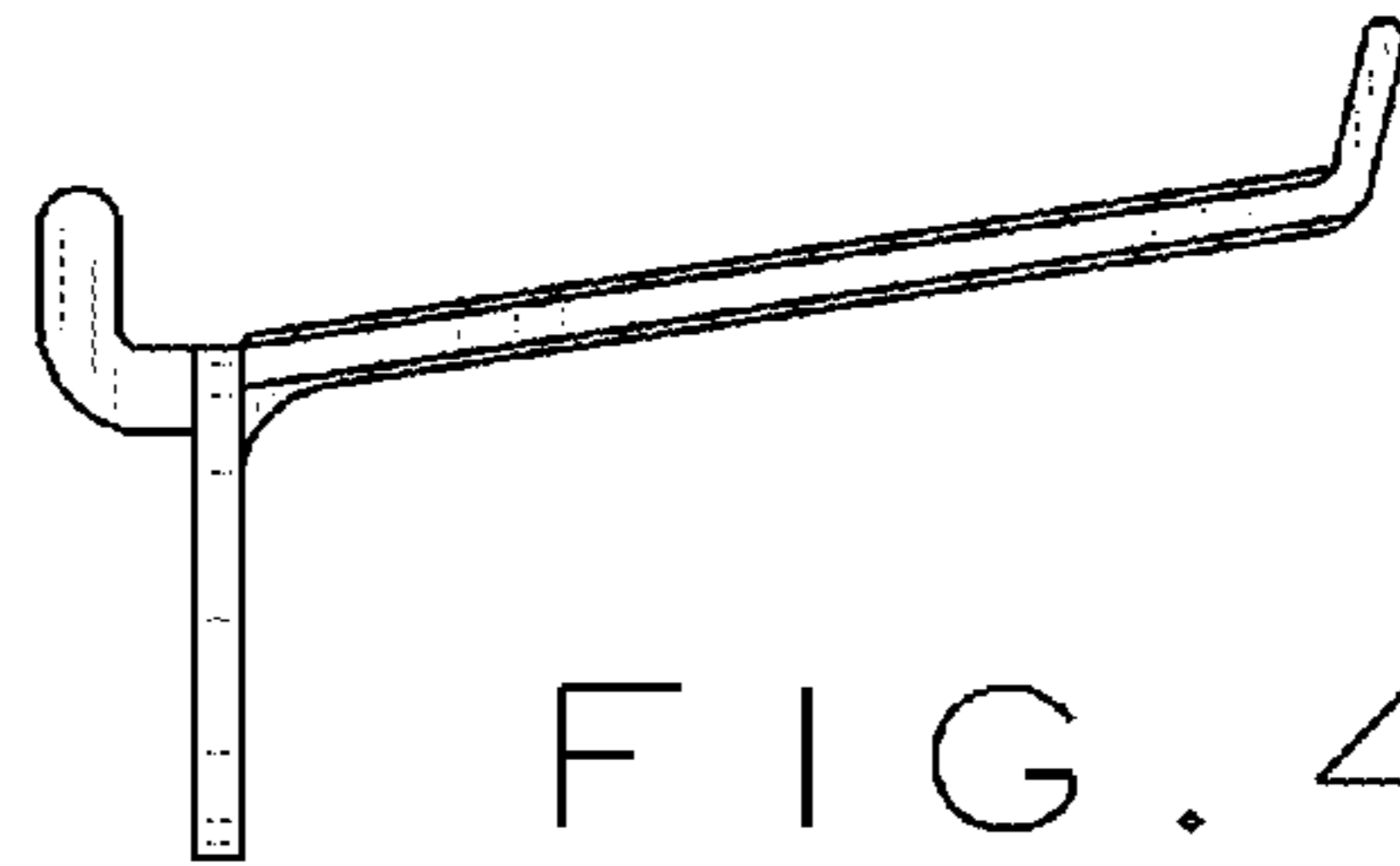


FIG. 4

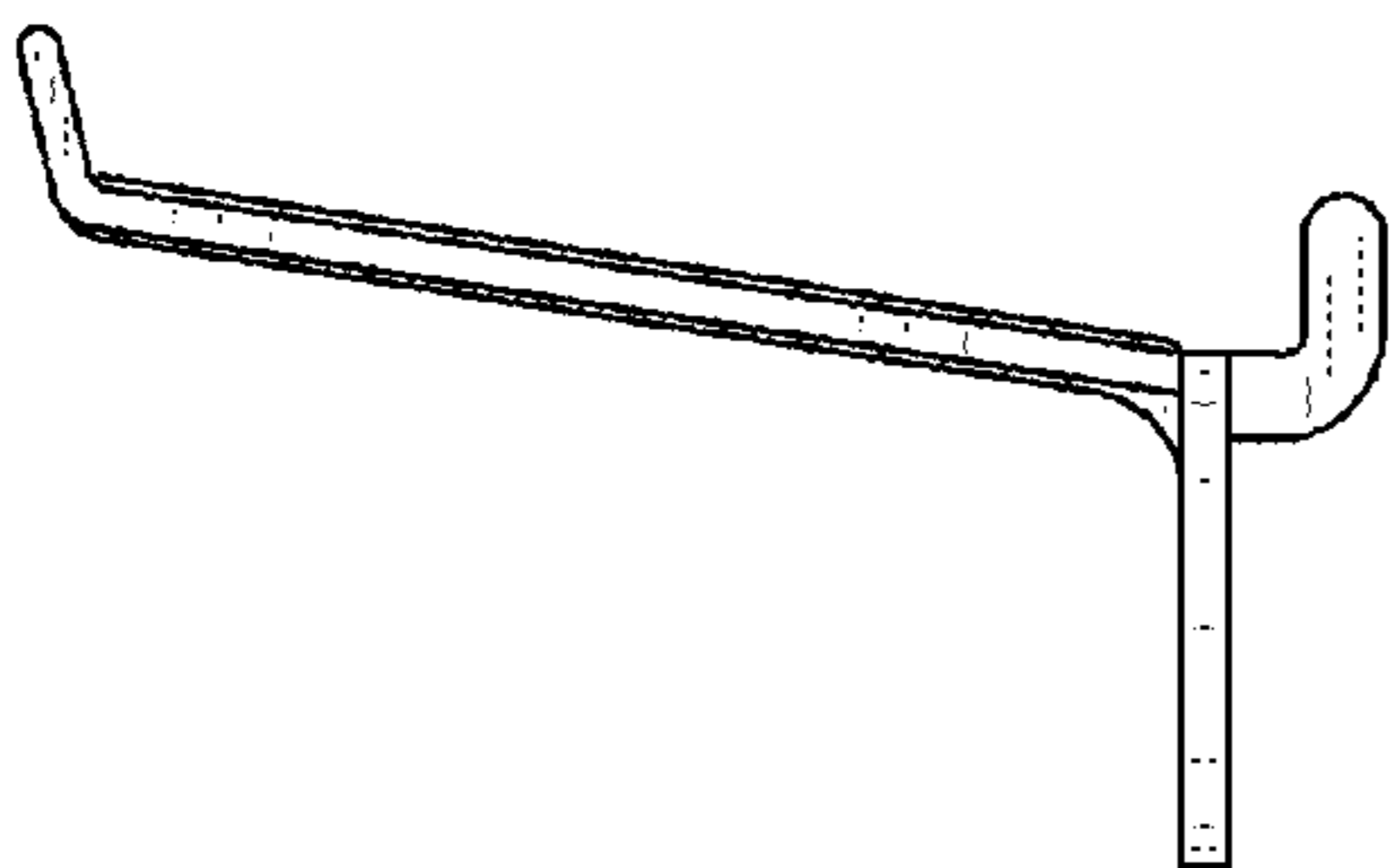


FIG. 5

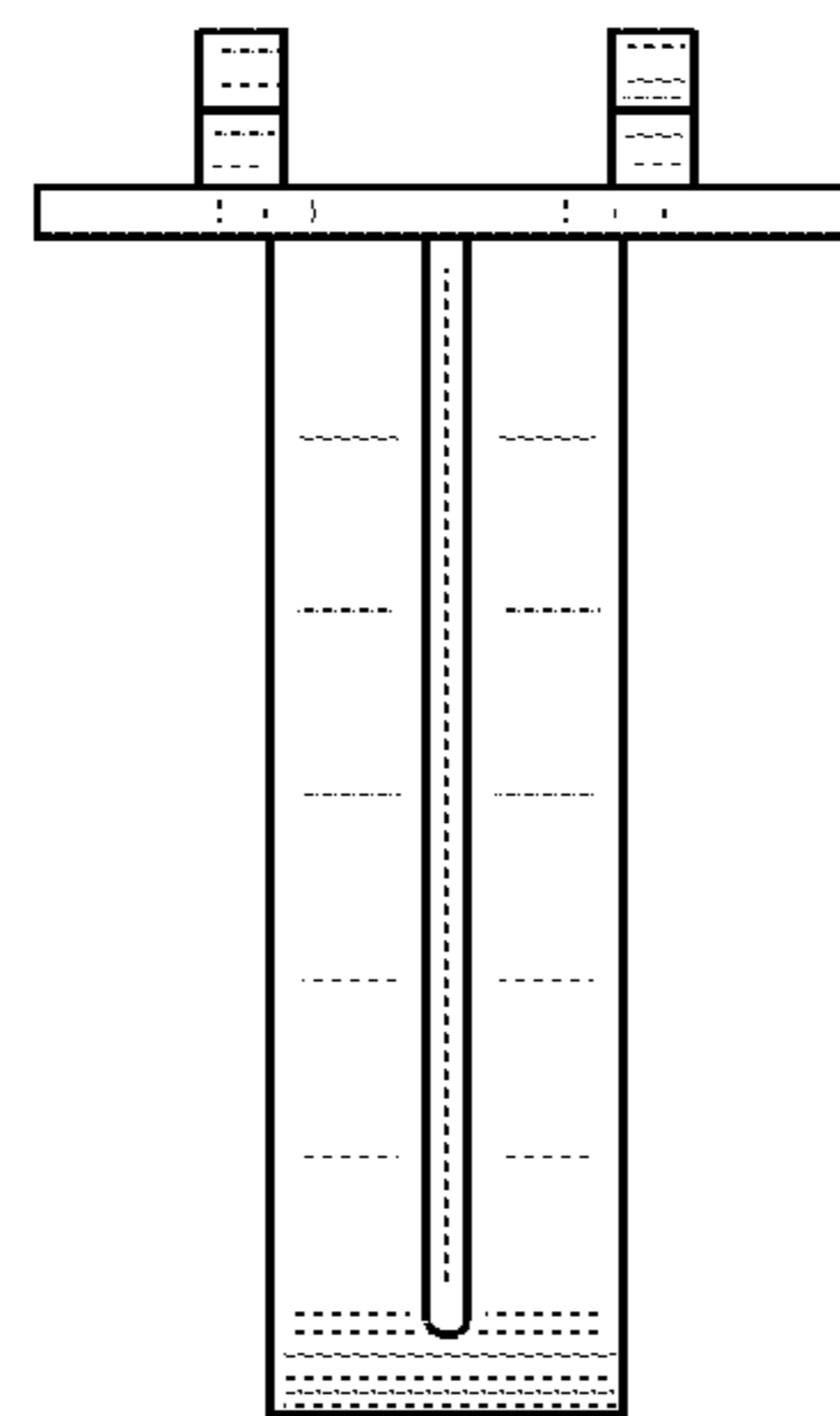


FIG. 6

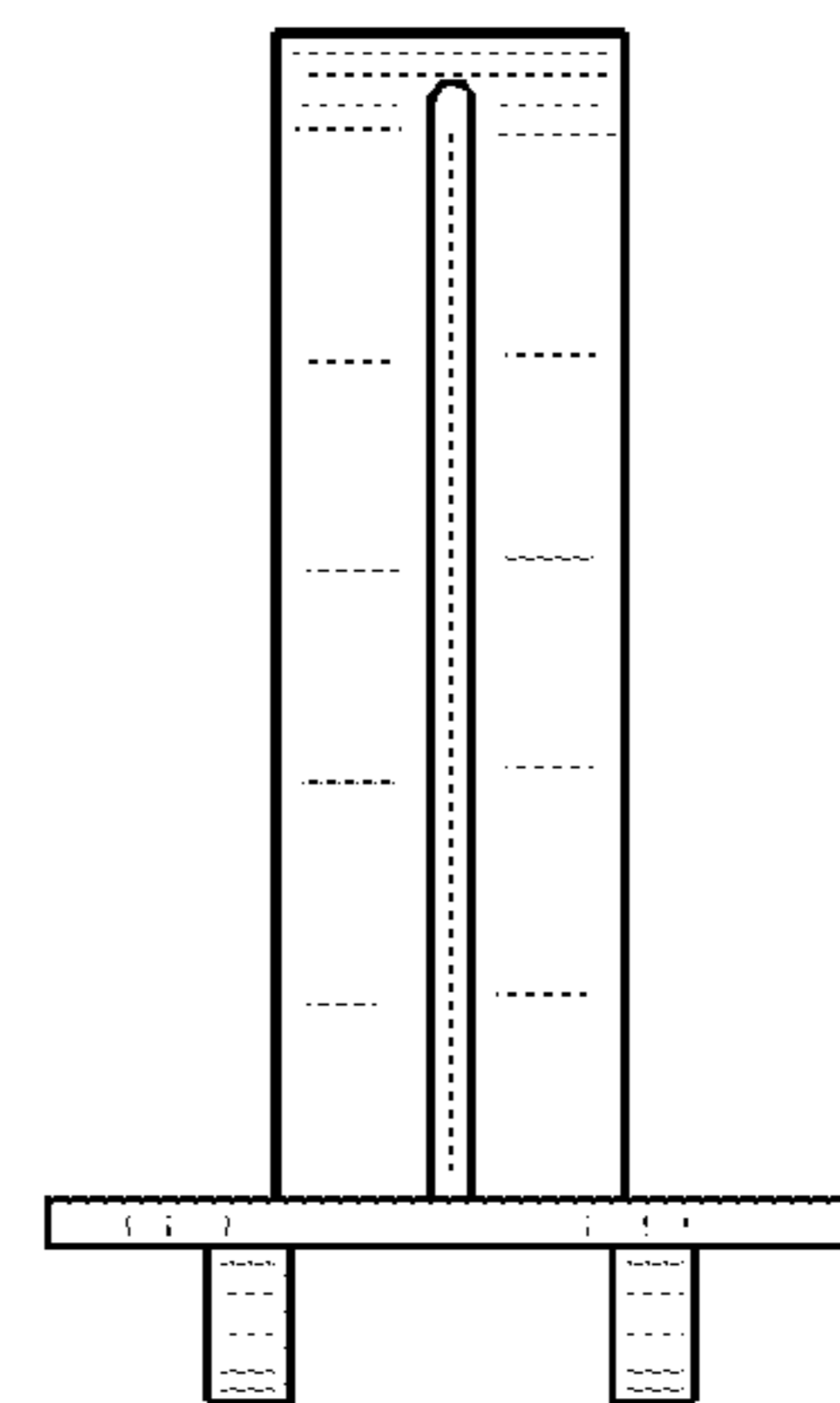


FIG. 7