



US00D742725S

(12) **United States Design Patent**
Paterson

(10) **Patent No.:** **US D742,725 S**

(45) **Date of Patent:** **** Nov. 10, 2015**

(54) **MOUNTING HUB**

(71) Applicant: **Kentyn Scott Paterson**, Bute (AU)

(72) Inventor: **Kentyn Scott Paterson**, Bute (AU)

(**) Term: **14 Years**

(21) Appl. No.: **29/482,135**

(22) Filed: **Feb. 14, 2014**

(51) **LOC (10) Cl.** **08-05**

(52) **U.S. Cl.**
USPC **D8/367**

(58) **Field of Classification Search**
USPC D8/367, 354, 349, 373; D6/323;
248/301–304, 339; D15/28; 198/731
CPC A47G 1/00; A47G 25/00
See application file for complete search history.

(56) **References Cited**

U.S. PATENT DOCUMENTS

130,451	A	8/1872	Swift	
1,886,882	A *	11/1932	Georg	24/698.1
D241,206	S *	8/1976	Halsted	D6/323
D289,139	S *	4/1987	Chasen	D8/367
D289,255	S *	4/1987	Chasen	D8/367
4,685,555	A	8/1987	Smith	
D299,239	S	1/1989	Henningsen	
D299,240	S	1/1989	Henningsen	
D307,539	S *	5/1990	Goodman et al.	D8/367
D339,058	S *	9/1993	Greenhut et al.	D8/367
D345,497	S *	3/1994	Miller	D8/367

(Continued)

OTHER PUBLICATIONS

Co-pending U.S. Appl. No. 29/444,029, filed Jan. 25, 2013.

(Continued)

Primary Examiner — Cynthia Underwood

(74) *Attorney, Agent, or Firm* — Michael Best & Friedrich LLP

(57) **CLAIM**

I claim the ornamental design for a mounting hub, as shown and described in the figures.

DESCRIPTION

FIG. 1 is a top perspective view of a mounting hub embodying the invention.

FIG. 2 is a bottom perspective view of the mounting hub shown in FIG. 1.

FIG. 3 is a left side view of the mounting hub shown in FIG. 1, and a right side view of the mounting hub is a mirror image of the mounting hub shown in FIG. 3.

FIG. 4 is a front view of the mounting hub shown in FIG. 1.

FIG. 5 is a rear view of the mounting hub shown in FIG. 1.

FIG. 6 is a top view of the mounting hub shown in FIG. 1.

FIG. 7 is a bottom view of the mounting hub shown in FIG. 1.

FIG. 8 is a top perspective view of a mounting hub embodying the invention.

FIG. 9 is a bottom perspective view of the mounting hub shown in FIG. 8.

FIG. 10 is a left side view of the mounting hub shown in FIG. 8, and a right side view of the mounting hub is a mirror image of the mounting hub shown in FIG. 10.

FIG. 11 is a front view of the mounting hub shown in FIG. 8.

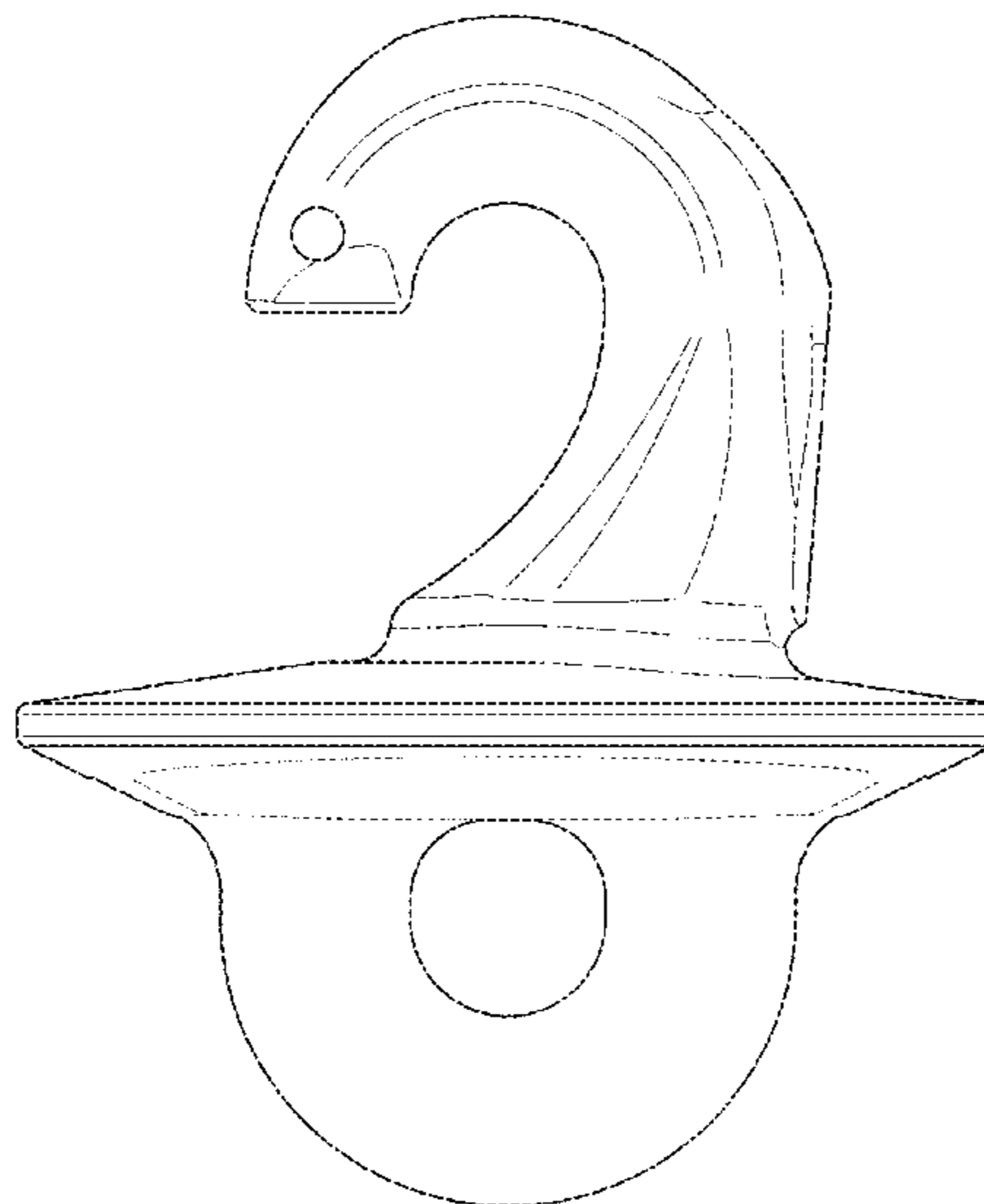
FIG. 12 is a rear view of the mounting hub shown in FIG. 8.

FIG. 13 is a top view of the mounting hub shown in FIG. 8; and,

FIG. 14 is a bottom view of the mounting hub shown in FIG. 8.

The broken lines in the drawings depict environmental subject matter/or parts of the mounting hub only and form no part of the claimed design.

1 Claim, 14 Drawing Sheets



(56)

References Cited

U.S. PATENT DOCUMENTS

D361,930 S * 9/1995 Fillipp et al. D8/367
 D390,014 S * 2/1998 Ho D6/323
 D393,412 S * 4/1998 Bries et al. D8/367
 D417,385 S * 12/1999 Bries et al. D8/367
 6,325,342 B1 * 12/2001 Dignat 248/118
 D480,292 S * 10/2003 Johansson et al. D8/367
 D494,452 S * 8/2004 Sheldon et al. D8/367
 D543,837 S * 6/2007 Newbould et al. D8/367
 D554,481 S * 11/2007 Newbould et al. D8/367
 D554,482 S * 11/2007 Hager et al. D8/367
 D565,939 S * 4/2008 Newbould et al. D8/367
 D572,121 S * 7/2008 Shiffler D8/367
 D579,322 S * 10/2008 Newbould et al. D8/367
 D583,653 S * 12/2008 Thompson et al. D8/367
 D584,939 S * 1/2009 Snell D8/367
 7,607,489 B2 10/2009 Kelly et al.
 D603,688 S * 11/2009 Chiu D8/367
 D609,995 S * 2/2010 Hager et al. D8/367
 D615,107 S 5/2010 Kelly et al.
 D615,108 S 5/2010 Kelly et al.
 D624,938 S 10/2010 Kelly et al.
 7,833,620 B2 * 11/2010 Enserink et al. 428/321.1
 D629,428 S 12/2010 Paterson
 D632,951 S * 2/2011 McGreevy et al. D8/367

7,963,345 B1 6/2011 Hicks et al.
 D641,228 S * 7/2011 Qiblawi et al. D8/367
 D641,614 S * 7/2011 Pontaoe D8/394
 D665,653 S * 8/2012 Thompson et al. D8/367
 D672,223 S * 12/2012 Thompson D8/356
 D678,041 S * 3/2013 Pan et al. D8/367
 D680,804 S * 4/2013 Gilboe D7/367
 D682,663 S * 5/2013 Evon D8/367
 D694,284 S 11/2013 Paterson
 D694,285 S 11/2013 Paterson
 D697,388 S * 1/2014 Pan D8/367
 D697,389 S * 1/2014 Pan D8/367
 D700,219 S 2/2014 Paterson
 2010/0018731 A1 1/2010 Kelly et al.
 2012/0247795 A1 10/2012 Hicks et al.

OTHER PUBLICATIONS

Co-pending U.S. Appl. No. 29/444,032, filed Jan. 25, 2013.
 United States Patent Office Notice of Allowance for U.S. Appl. No. 29/444,027 dated Jul. 8, 2013 (9 pages).
 United States Patent Office Notice of Allowance for U.S. Appl. No. 29/444,029 dated Jun. 27, 2013 (10 pages).
 United States Patent Office Notice of Allowance for U.S. Appl. No. 29/444,031 dated Jul. 12, 2013 (9 pages).

* cited by examiner

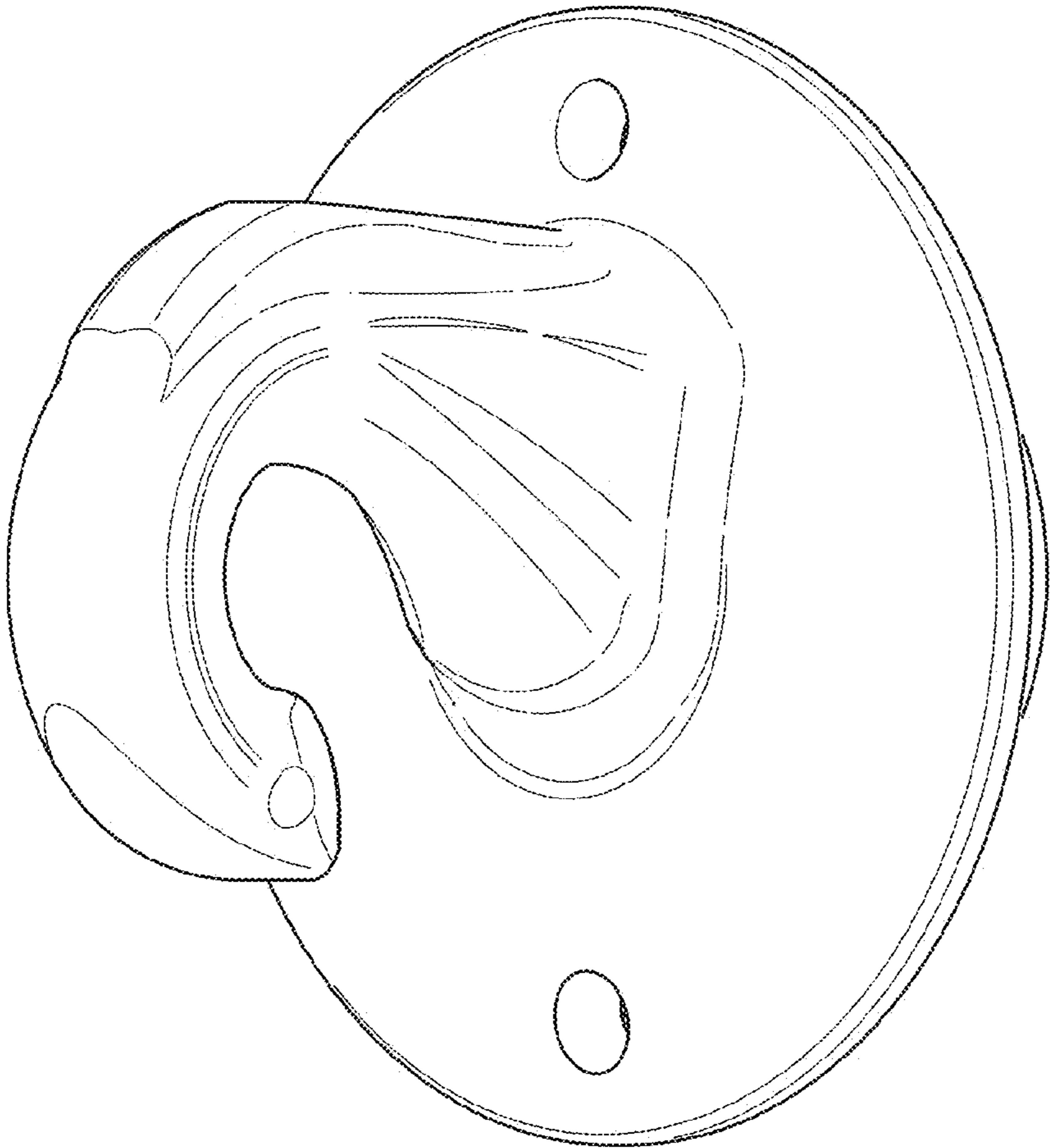


FIG. 1

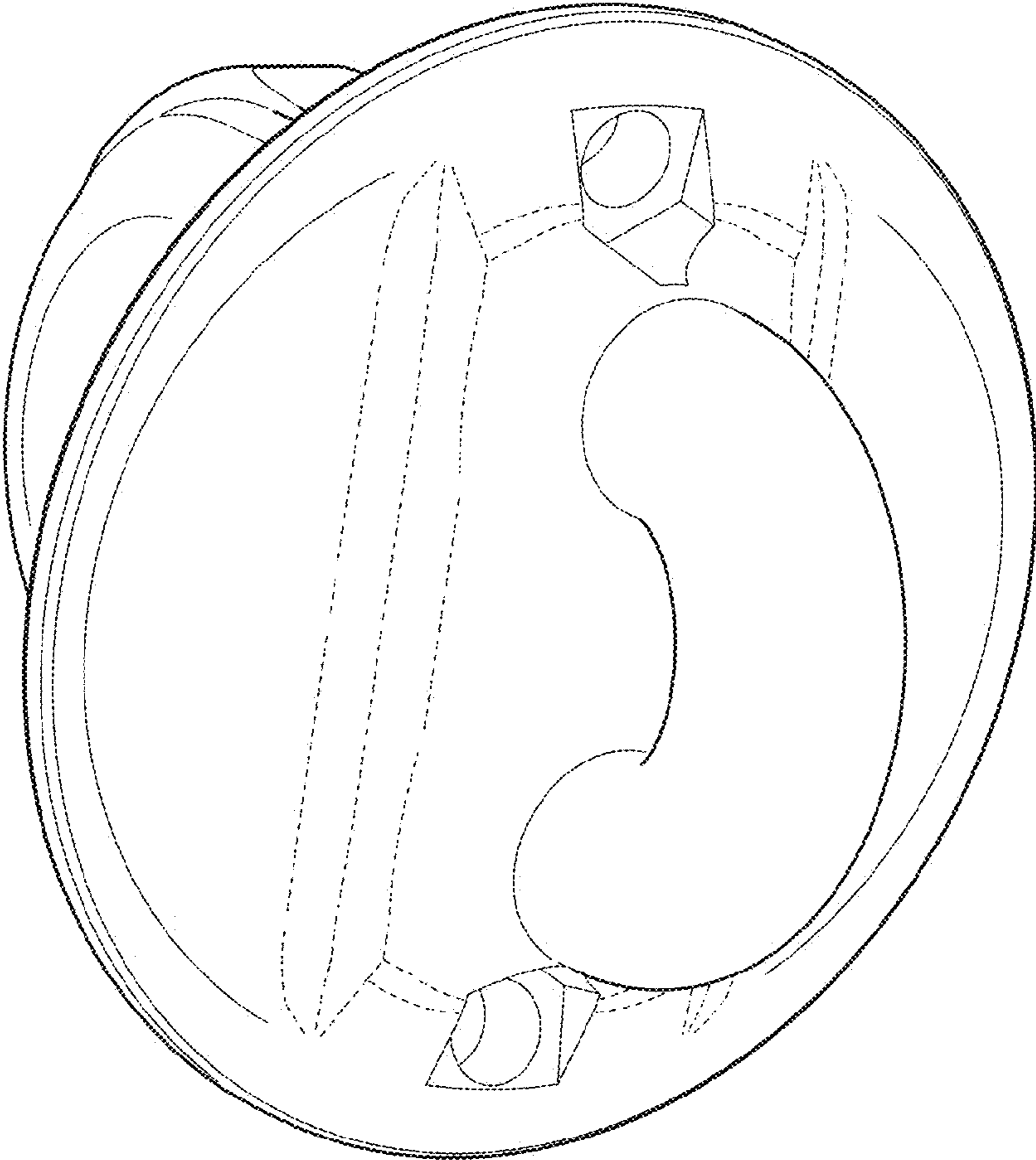


FIG. 2

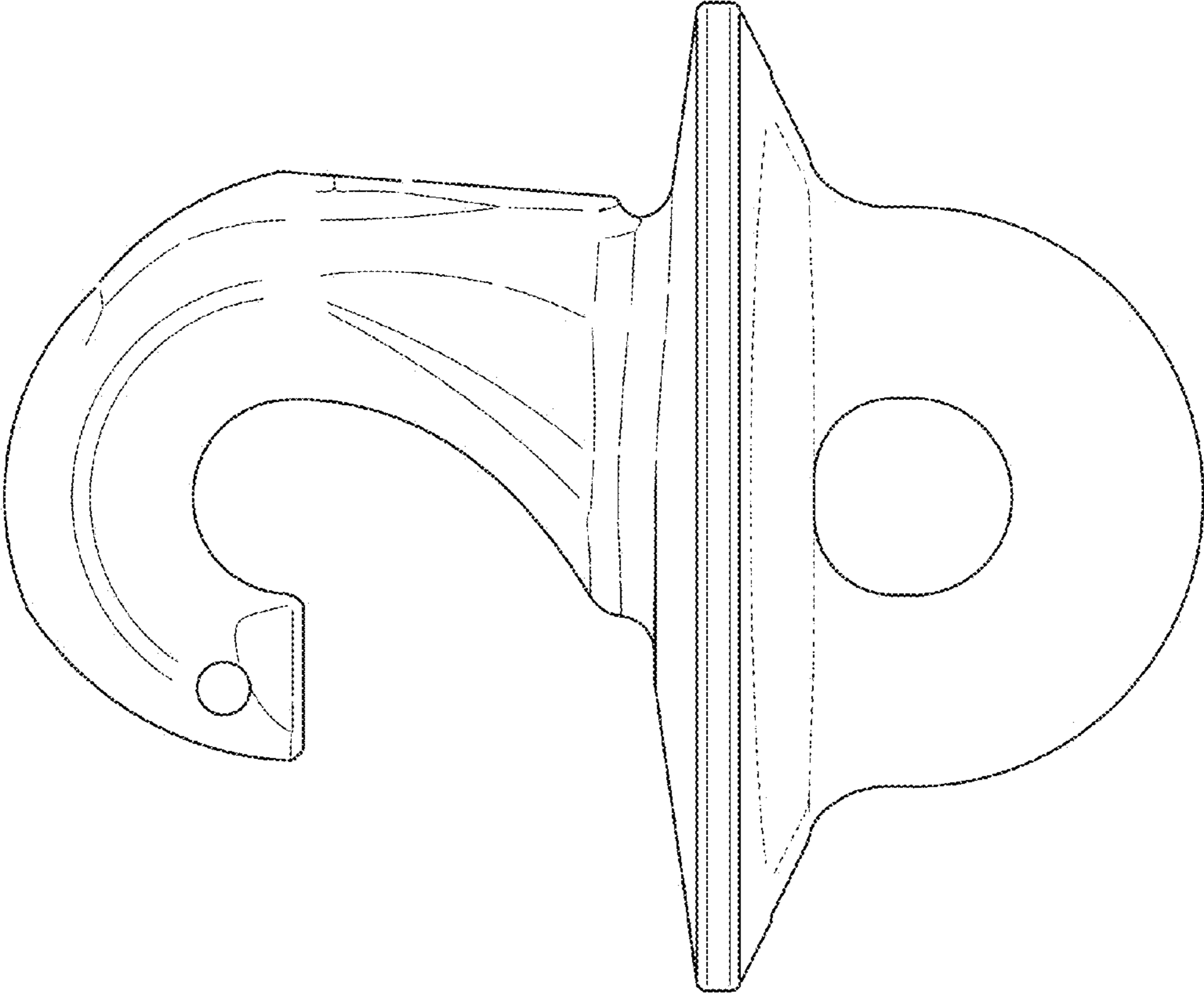


FIG. 3

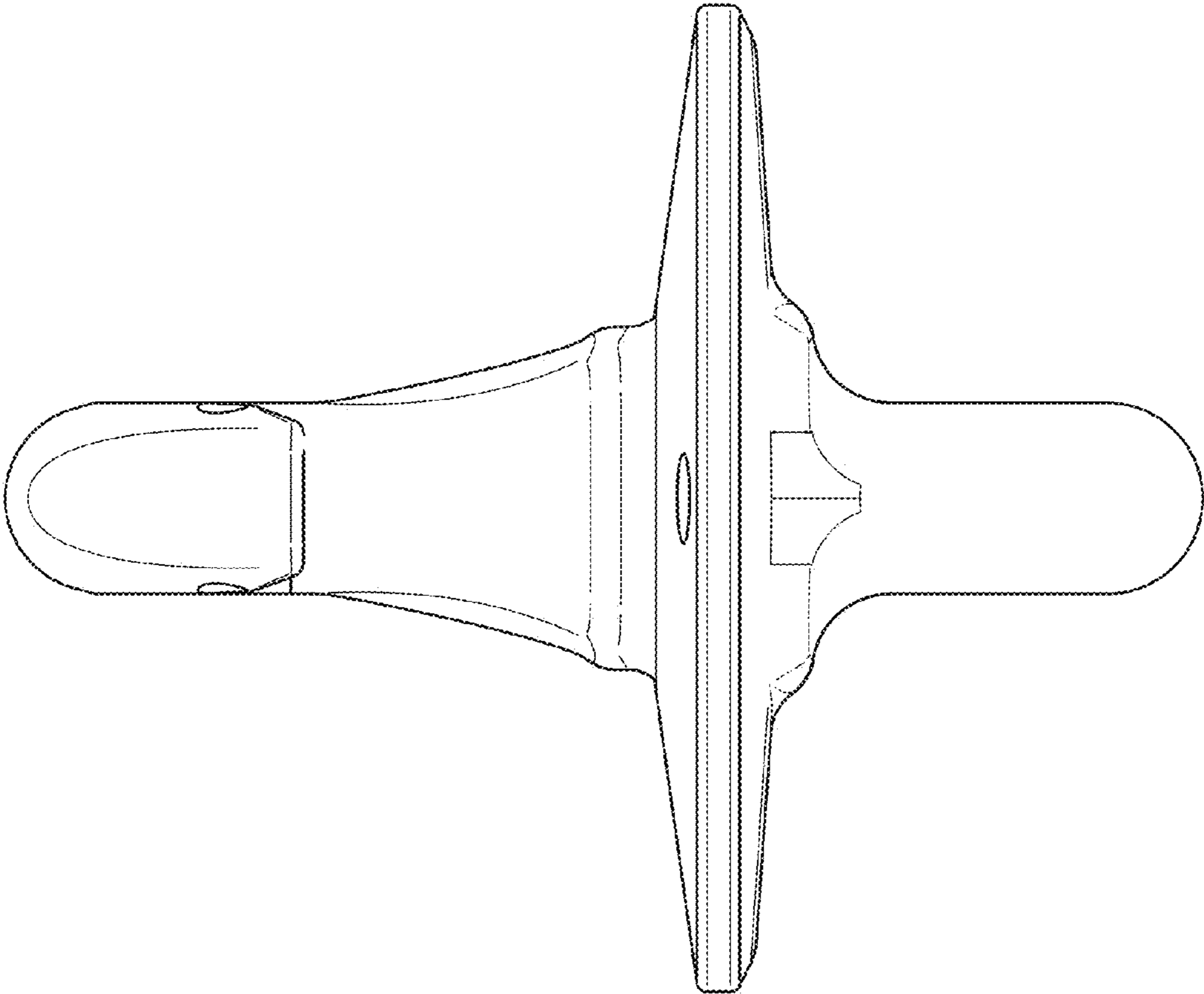


FIG. 4

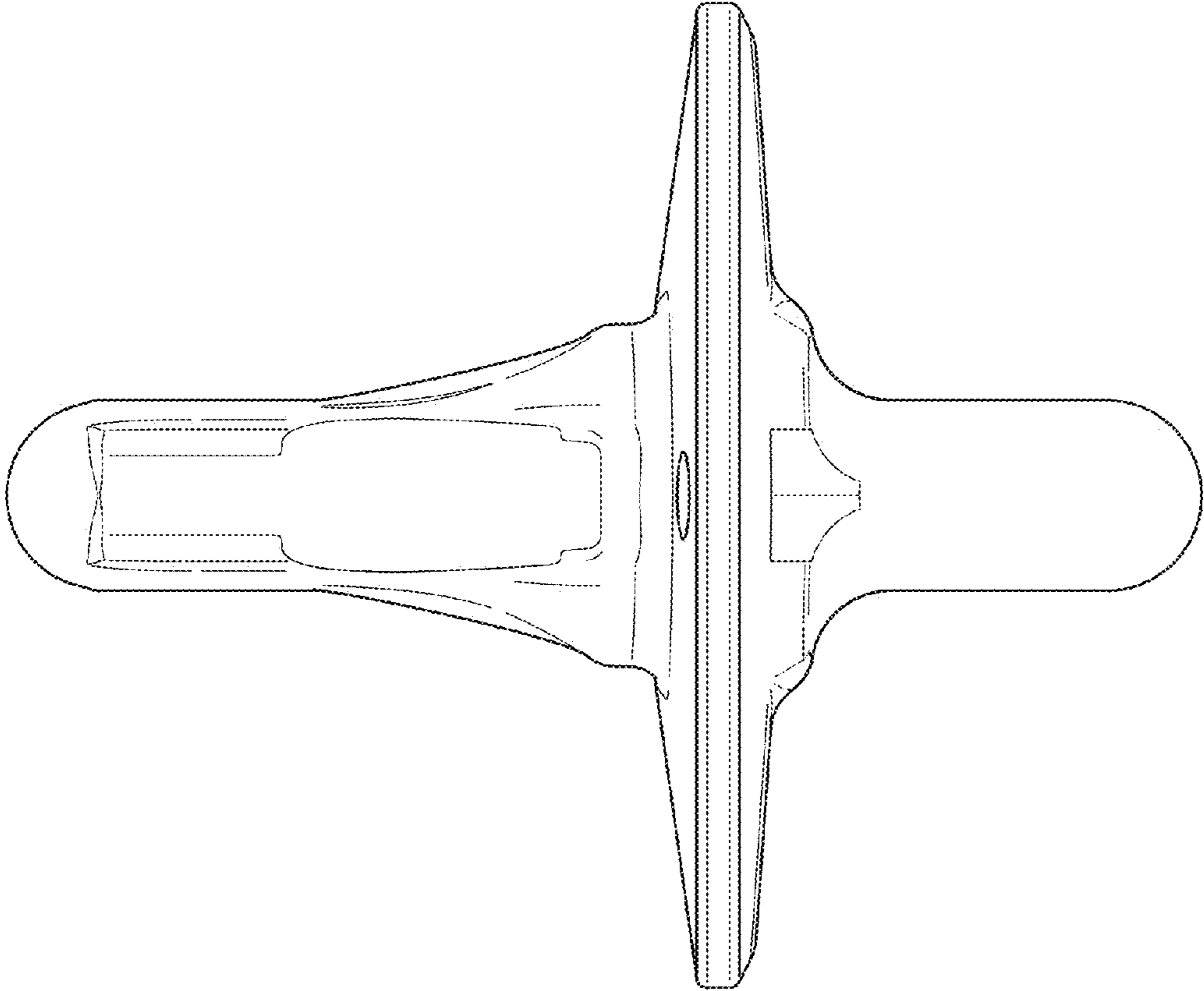


FIG. 5

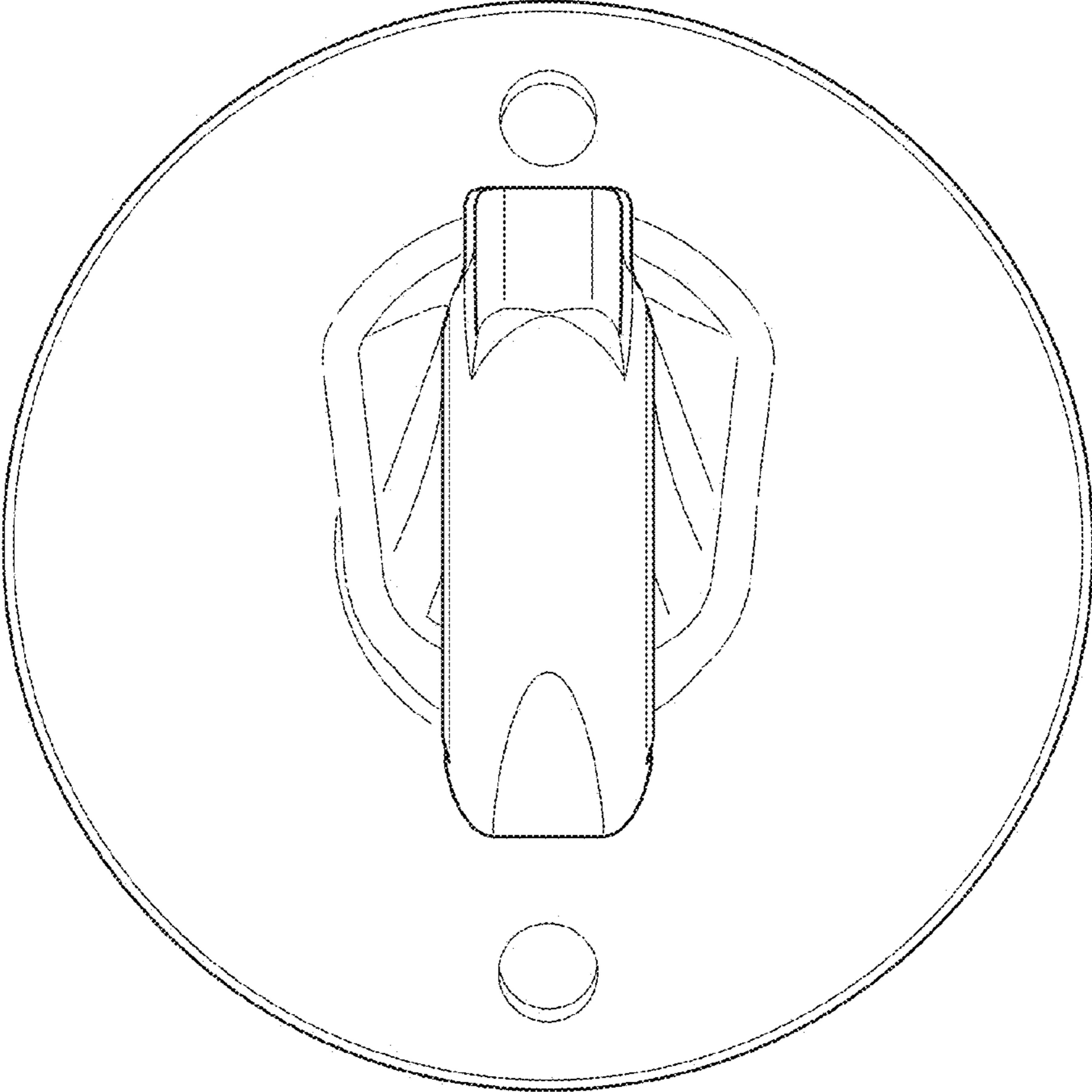


FIG. 6

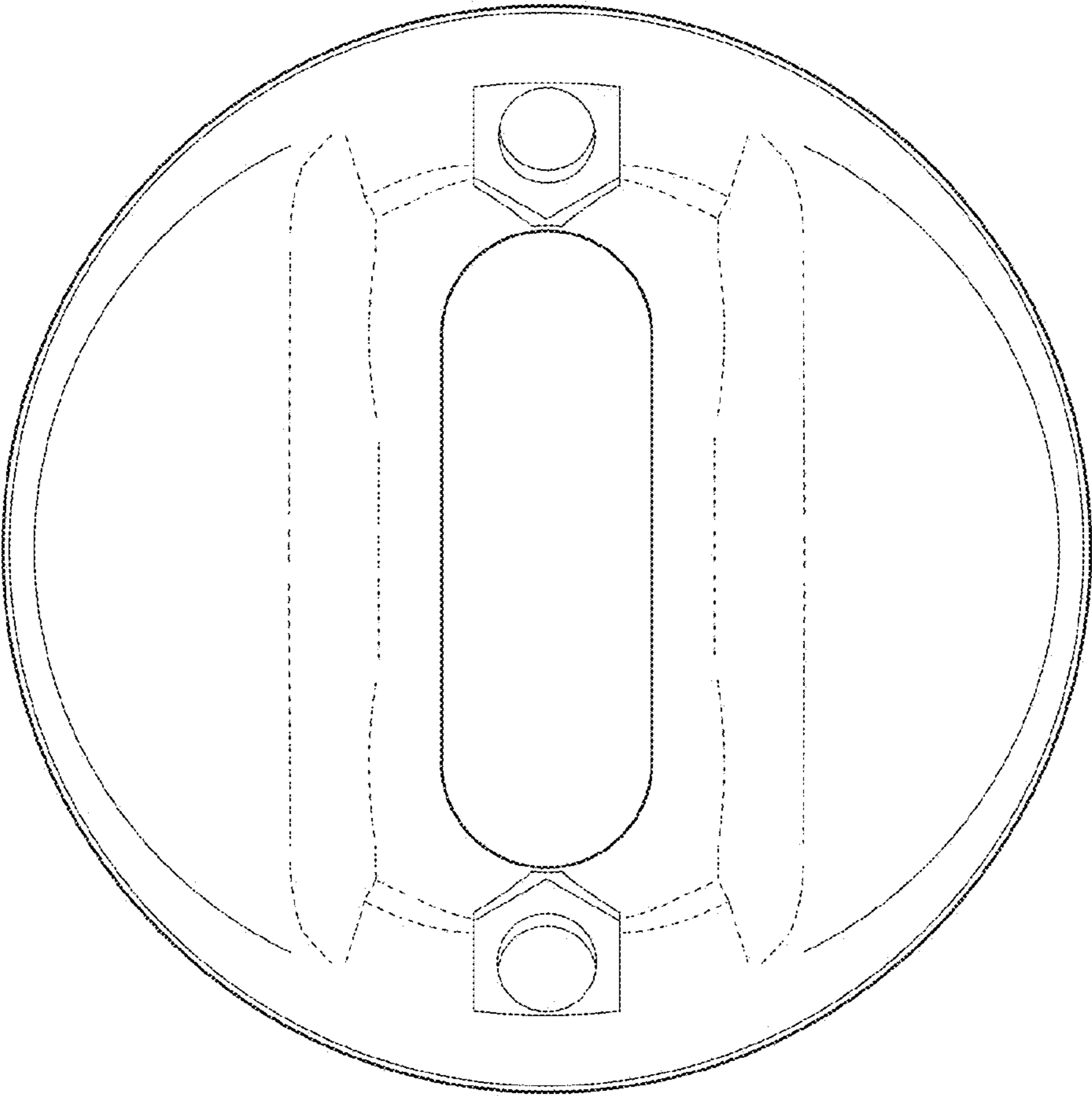


FIG. 7

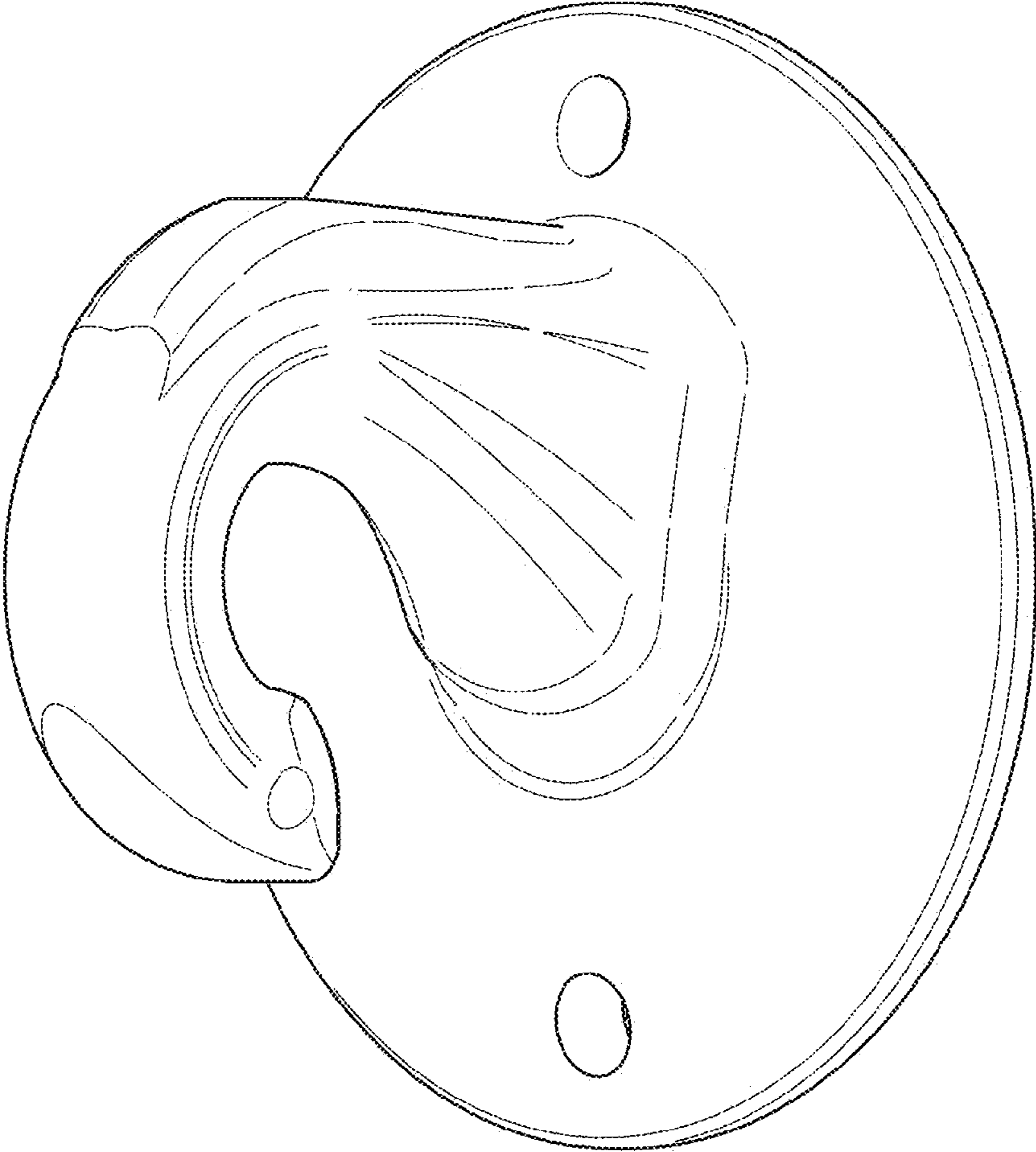


FIG. 8

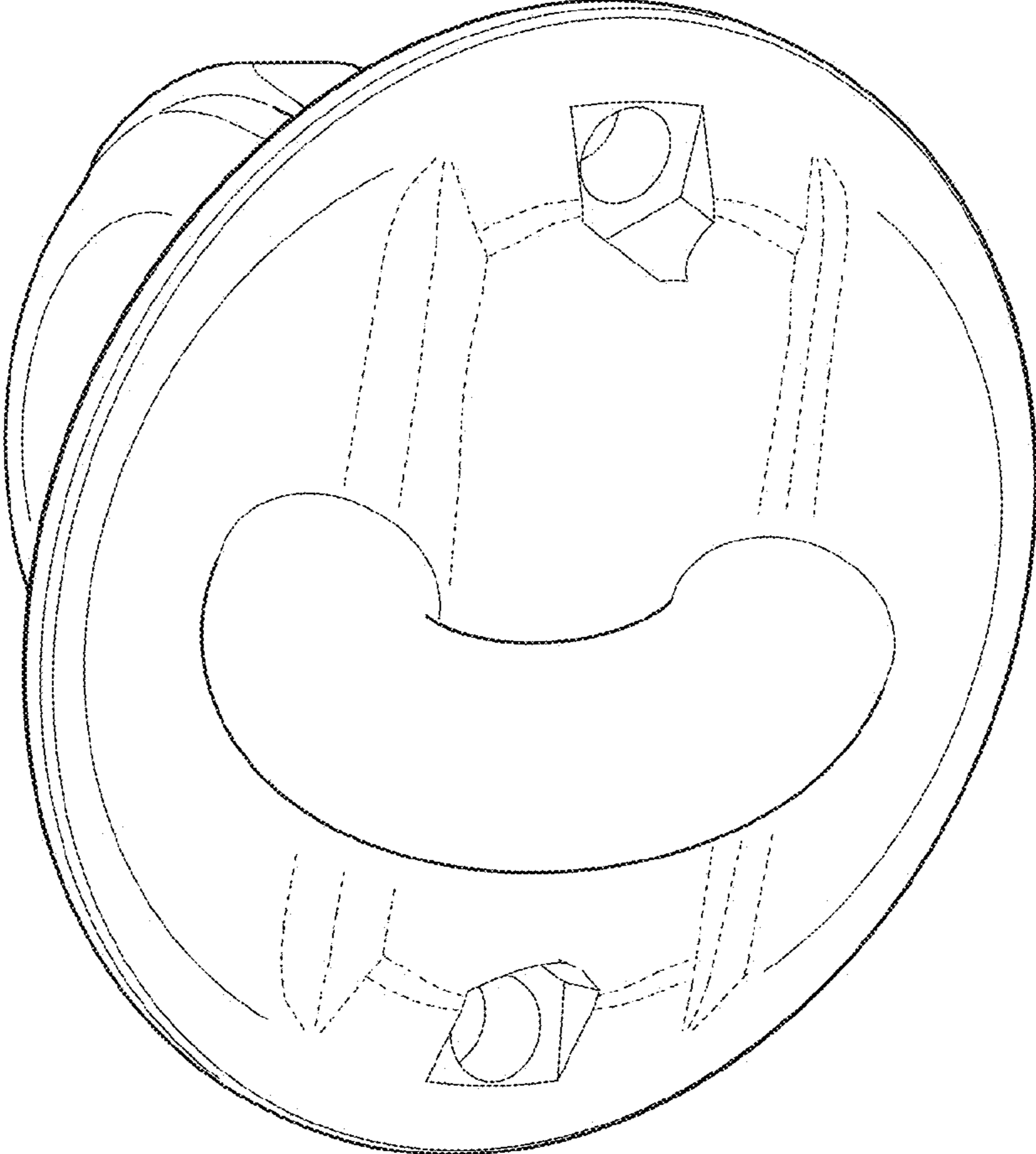


FIG. 9

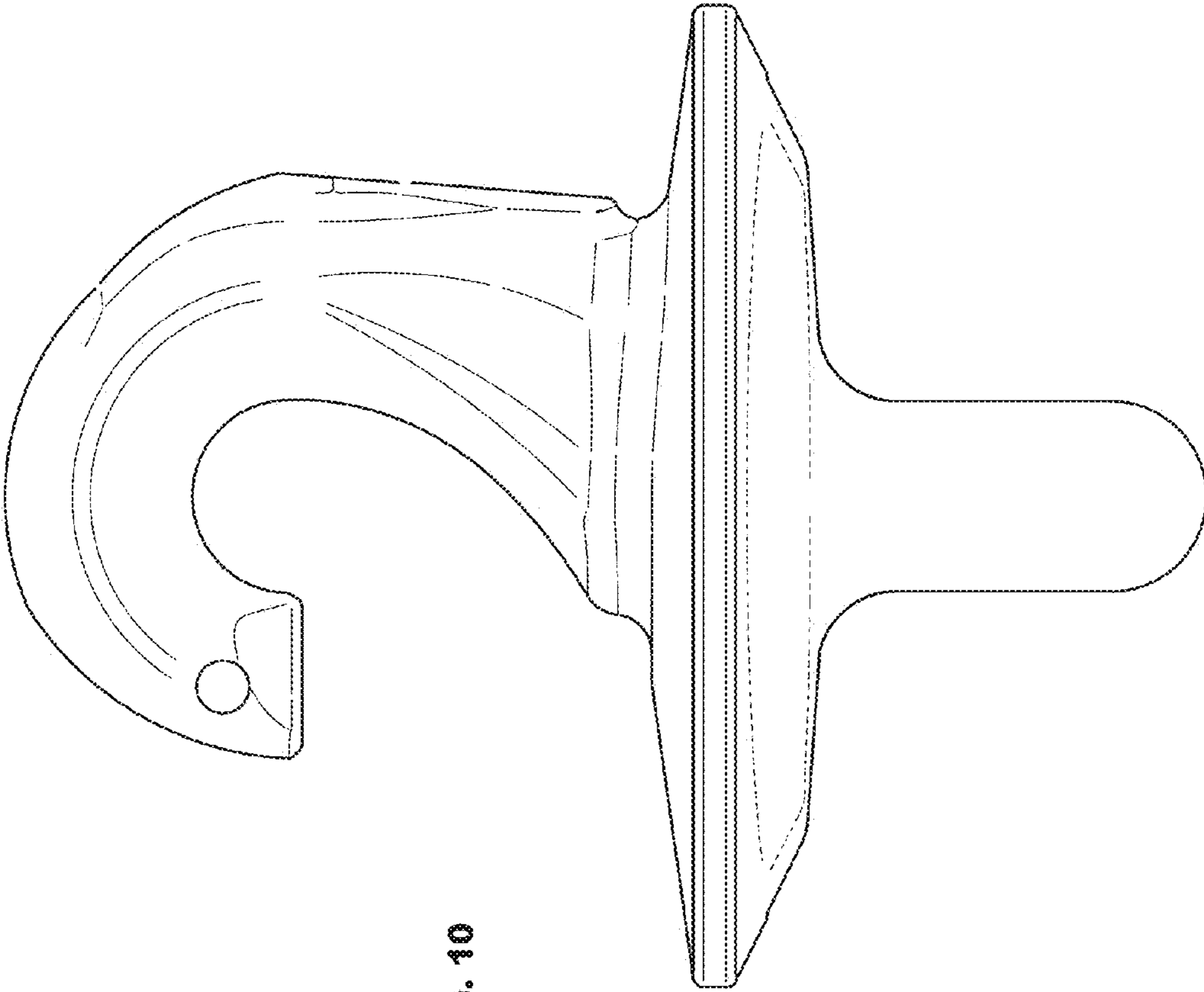


FIG. 10

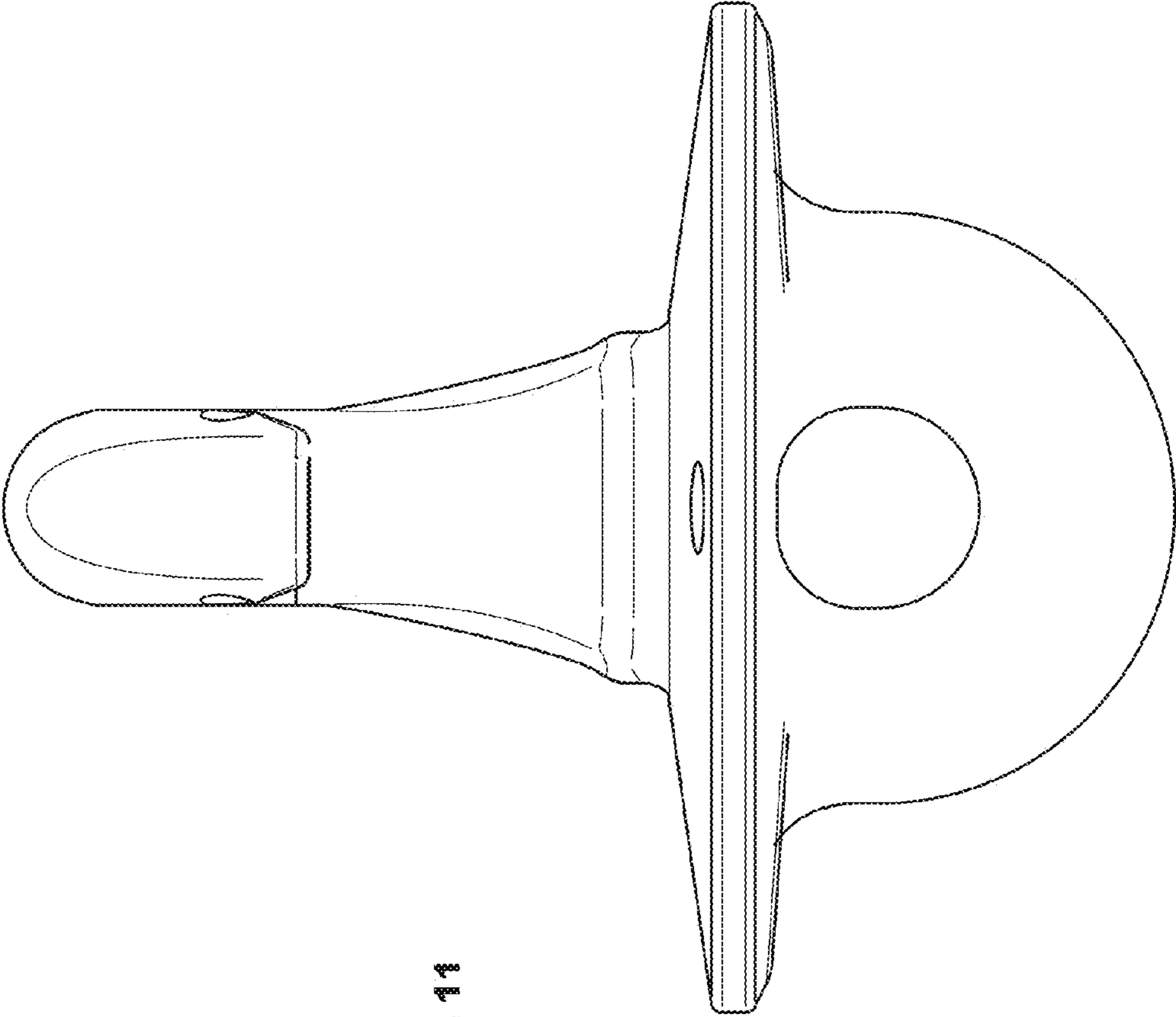


FIG. 11

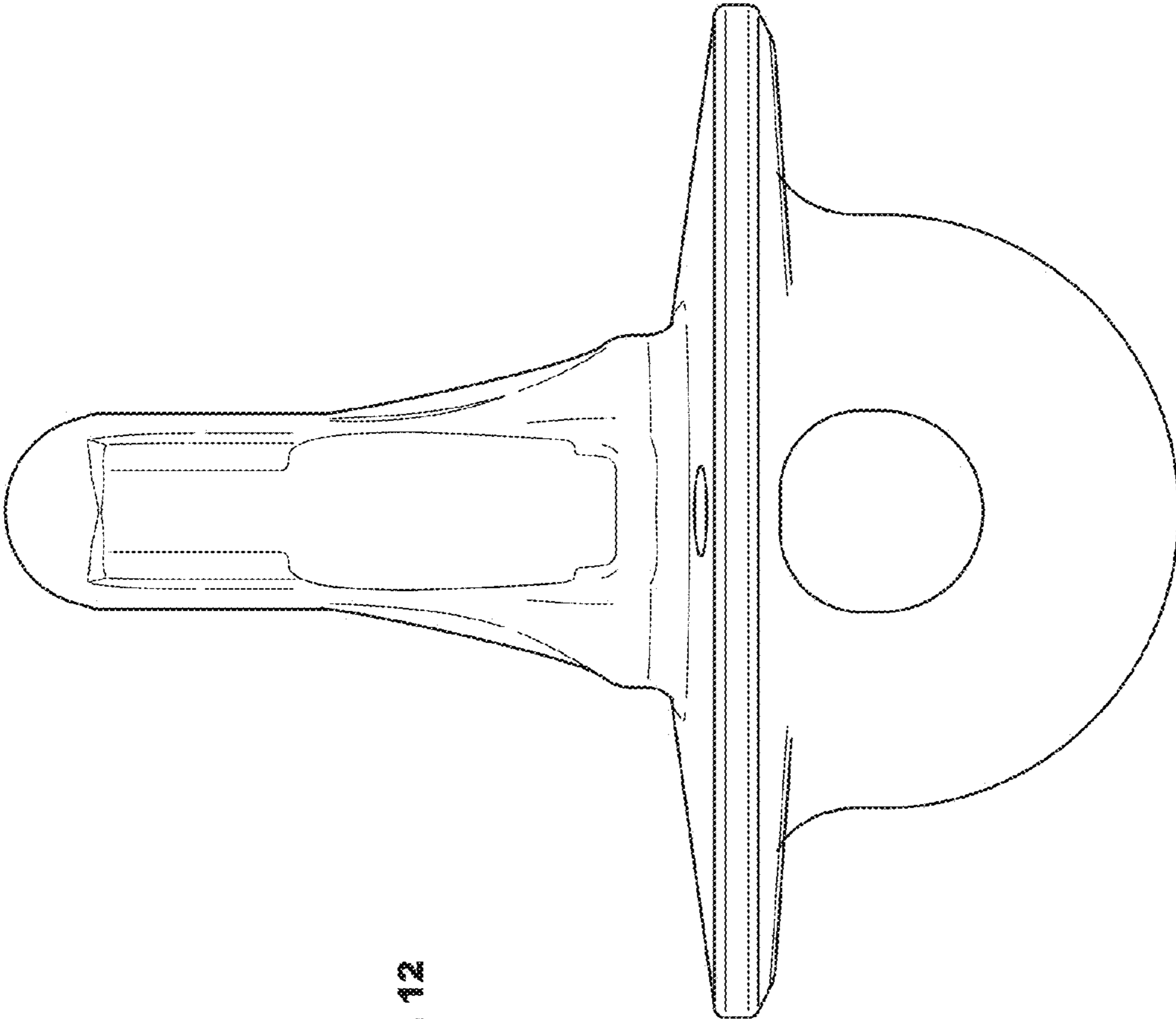


FIG. 12

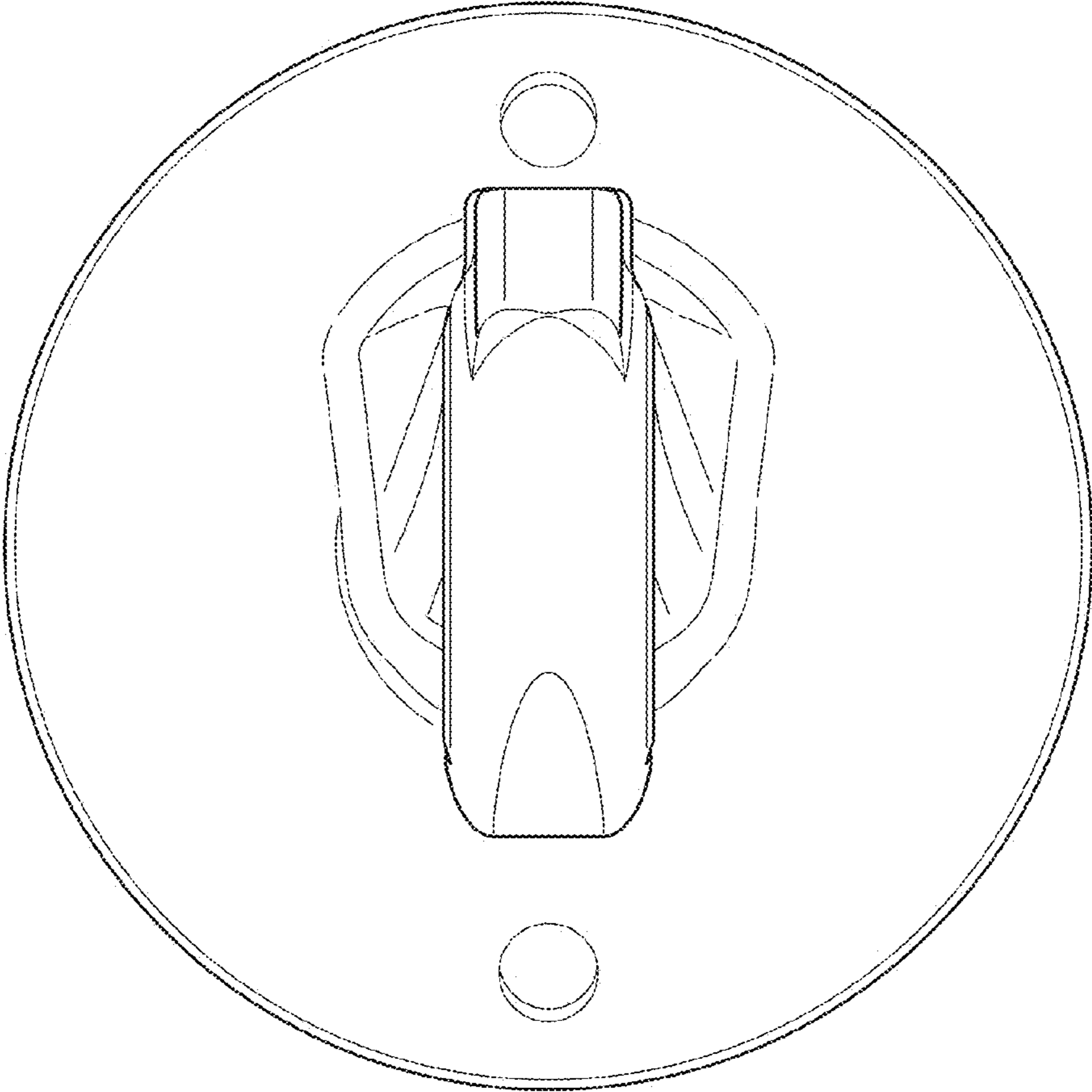


FIG. 13

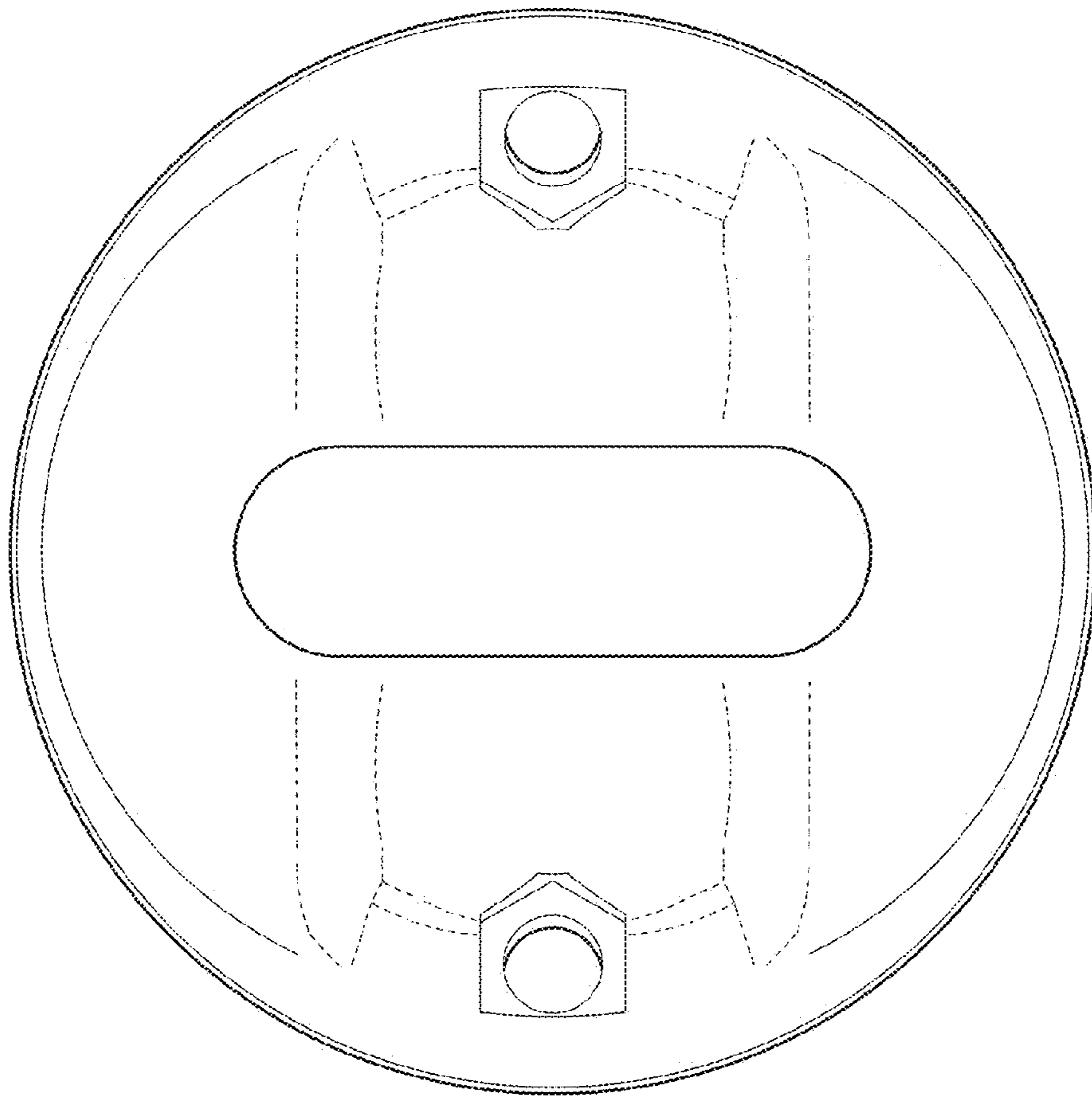


FIG. 14