



US00D742724S

(12) **United States Design Patent**
Smetz

(10) **Patent No.:** **US D742,724 S**

(45) **Date of Patent:** **** Nov. 10, 2015**

(54) **EYE BOLT**

(71) Applicant: **RUD Ketten Rieger & Dietz GmbH u. Co. KG, Aalen (DE)**

(72) Inventor: **Reinhard Smetz, Nordlingen-Kleinerdingen (DE)**

(73) Assignee: **RUD Ketten Rieger & Dietz GmbH u. Co. KG, Aalen (DE)**

(**) Term: **14 Years**

(21) Appl. No.: **29/463,482**

(22) Filed: **Dec. 9, 2013**

(30) **Foreign Application Priority Data**

Jul. 30, 2013 (EM) 002283713-0001
Jul. 30, 2013 (EM) 002283713-0002

(51) **LOC (10) Cl.** **08-05**

(52) **U.S. Cl.**
USPC **D8/367**

(58) **Field of Classification Search**
USPC D8/367, 354, 349, 373, 323, 387, 382,
D8/356; 248/301-304, 339, 205.3, 551;
D13/132; 24/132 R, 115 K; 411/400,
411/378; 405/259.1
CPC A47G 1/00; A47G 25/00
See application file for complete search history.

(56) **References Cited**

U.S. PATENT DOCUMENTS

D31,861 S * 11/1899 Copeland D13/132
2,867,874 A * 1/1959 Larson 24/115 K
D198,281 S * 5/1964 Mills D8/367
3,421,726 A * 1/1969 Getter 410/110
4,408,941 A * 10/1983 Motz 411/378
4,828,443 A * 5/1989 Simmons 411/400
D335,077 S * 4/1993 Haney D8/387
D341,127 S * 11/1993 Sachs D13/154

5,439,338 A * 8/1995 Rosenberg 411/400
5,743,678 A * 4/1998 Pitre 405/259.1
5,865,416 A * 2/1999 Hanaway 248/551
D413,509 S * 9/1999 Robertson D8/387
D413,791 S * 9/1999 May D8/387
D417,139 S * 11/1999 Pitre D8/387
5,992,910 A * 11/1999 Kwon 294/215
D573,877 S * 7/2008 Vautour D8/387
D605,500 S * 12/2009 Lee et al. D8/367
D612,713 S * 3/2010 Konecnik D8/387

(Continued)

Primary Examiner — Cynthia Underwood

(74) *Attorney, Agent, or Firm* — Mark P. Stone

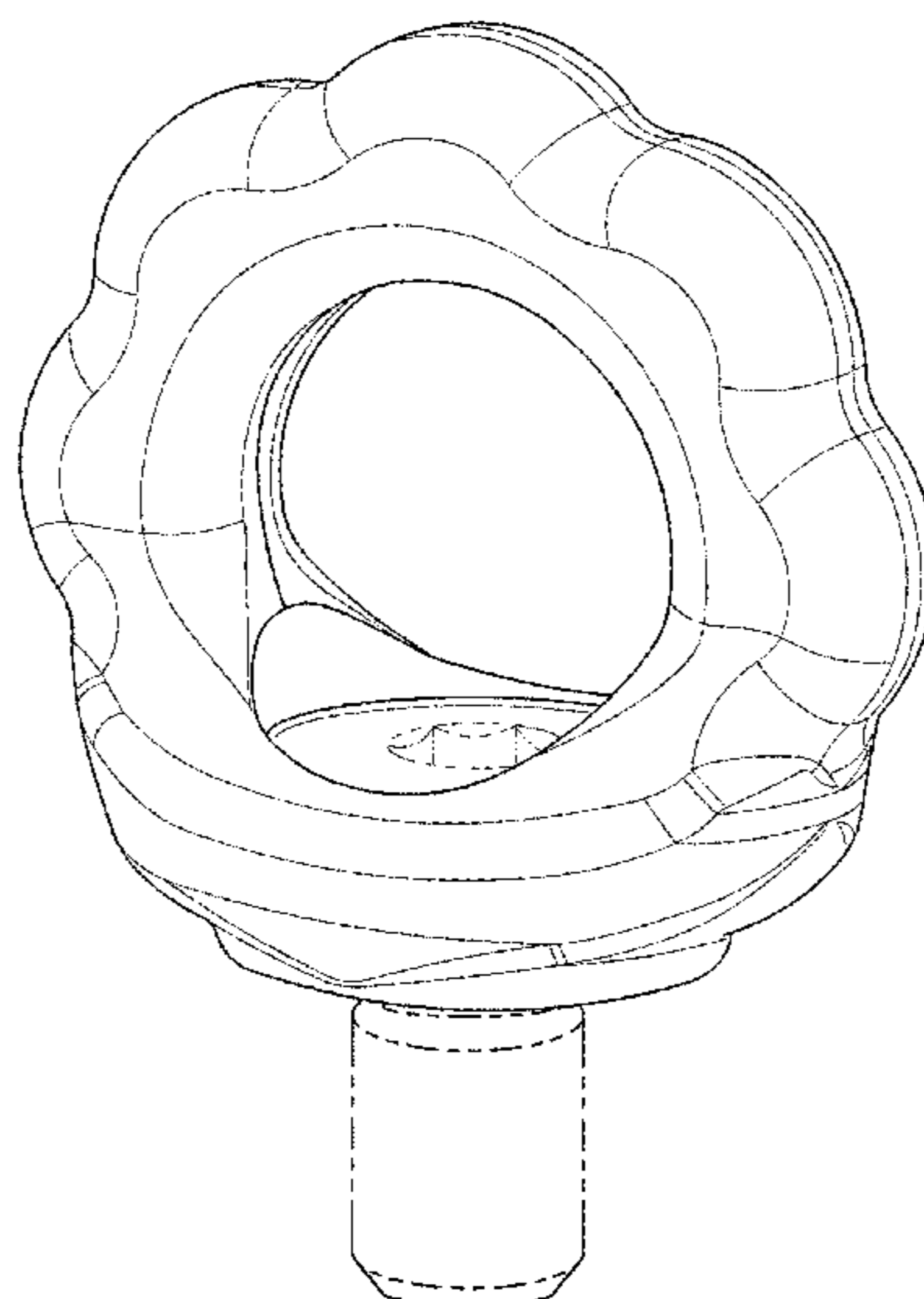
(57) **CLAIM**

The ornamental design for “eye bolt”, as shown and described.

DESCRIPTION

FIG. 1 is a front perspective view of a first embodiment of an “eye bolt”, showing the new design;
FIG. 2 is a front elevational view thereof, the rear elevational view being identical to the front elevational view;
FIG. 3 is a perspective view thereof taken from the top;
FIG. 4 is a right side elevational view thereof;
FIG. 5 is a left side elevational view thereof;
FIG. 6 is a top plan view thereof;
FIG. 7 is a bottom plan view thereof;
FIG. 8 is a front perspective view of a second embodiment of the “eye bolt”, showing the new design;
FIG. 9 is a front elevational view thereof, the rear elevational view being identical to the front elevational view;
FIG. 10 is a perspective view thereof taken from the top;
FIG. 11 is a right side elevational view thereof;
FIG. 12 is a left side elevational view thereof;
FIG. 13 is a top plan view thereof; and,
FIG. 14 is a bottom plan view thereof.
The broken lines in the drawings depict environmental subject matter/or parts of the eye bolt only and form no part of the claimed design.

1 Claim, 14 Drawing Sheets



US D742,724 S

Page 2

(56)

References Cited

D700,504 S * 3/2014 Blocker D8/367
2003/0180118 A1* 9/2003 Alba et al. 411/400

U.S. PATENT DOCUMENTS

D638,695 S * 5/2011 Woodrow et al. D8/382 * cited by examiner

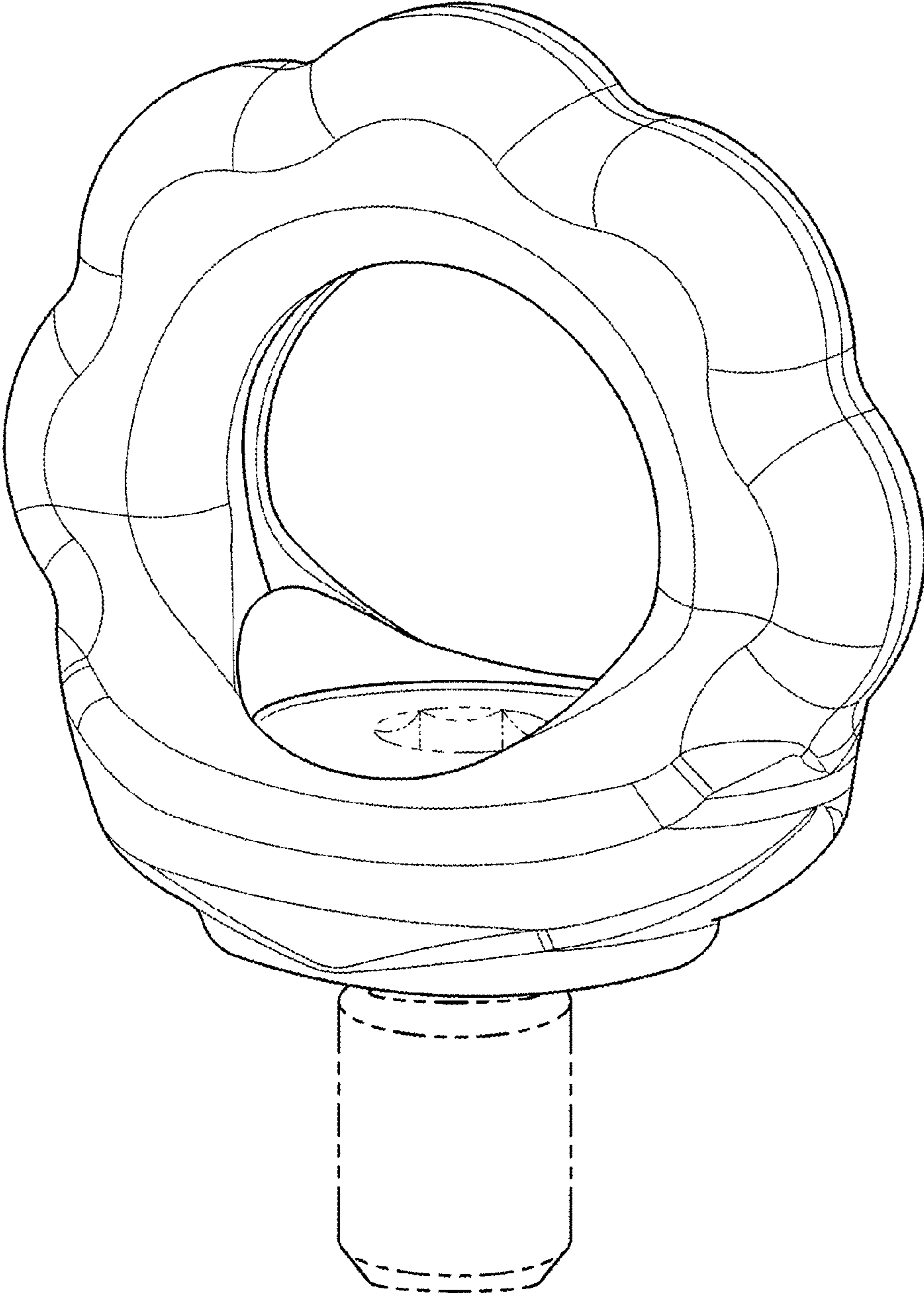


FIG. 1

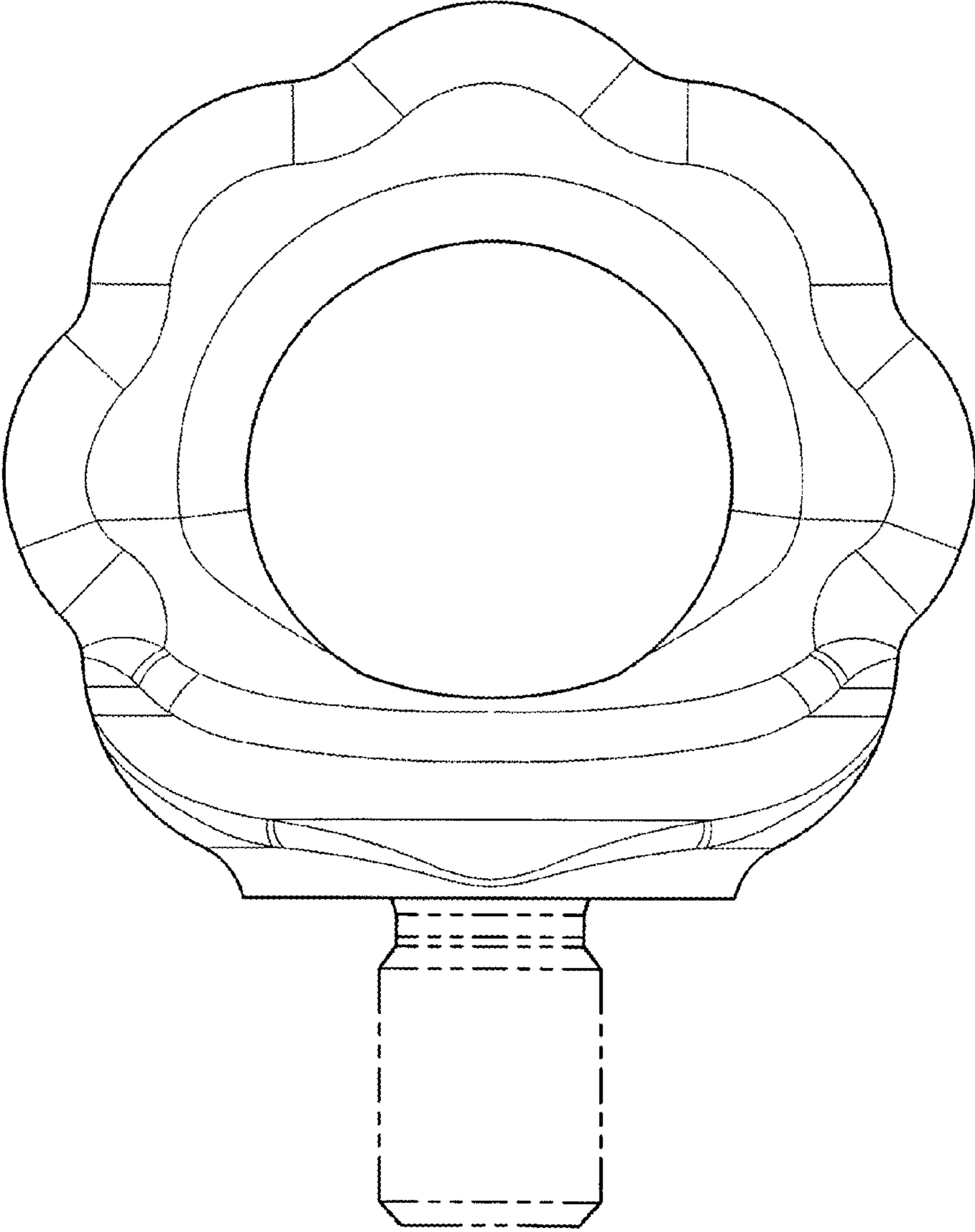


FIG. 2

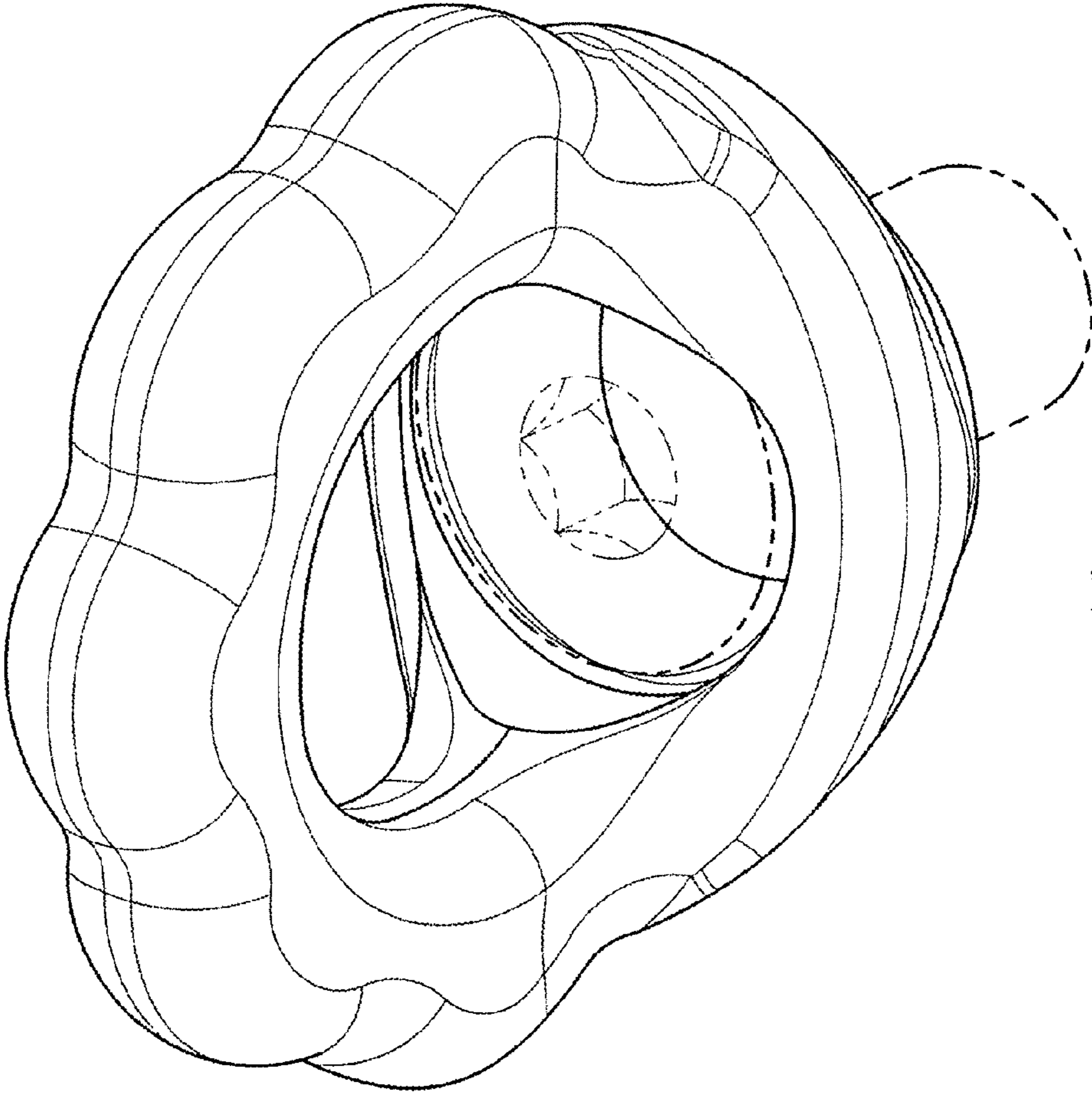


FIG. 3

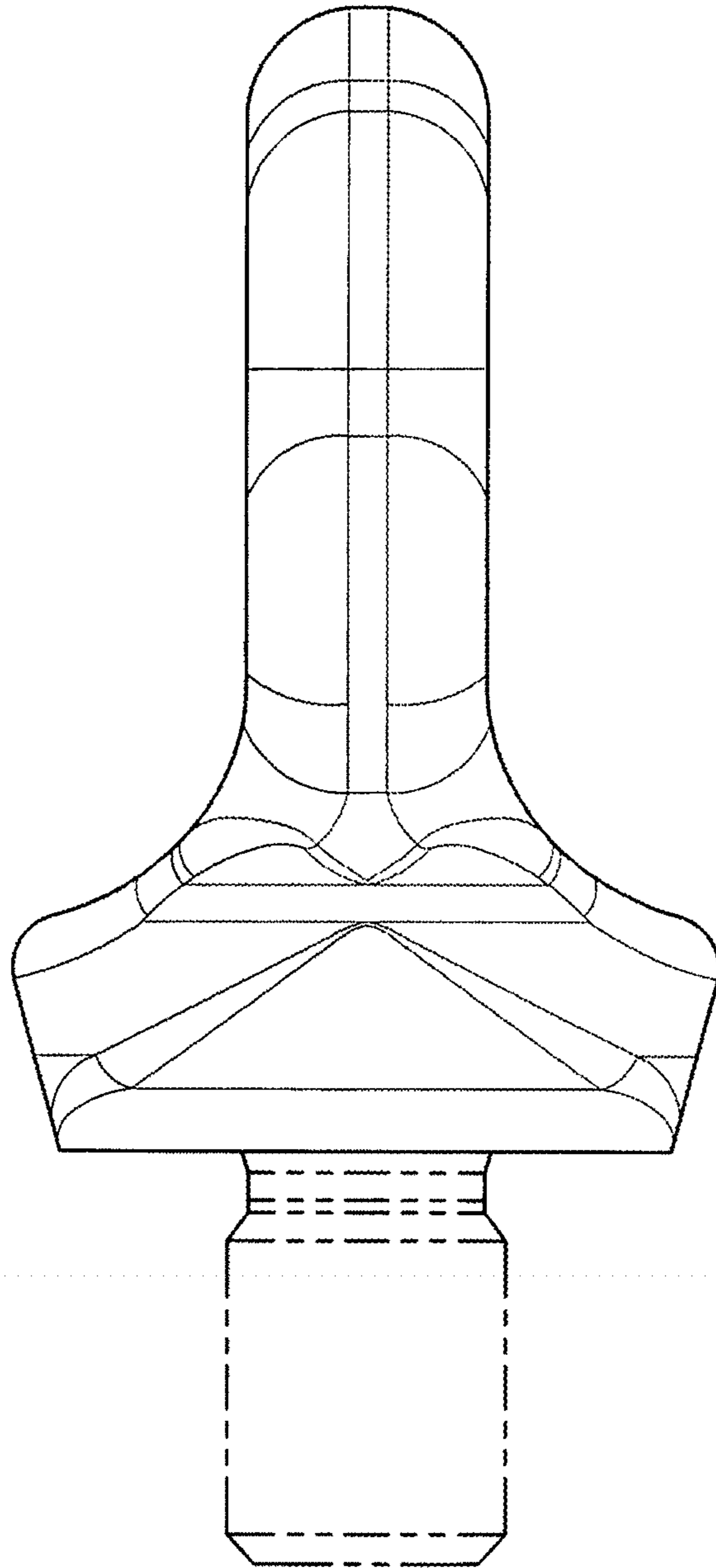


FIG. 4

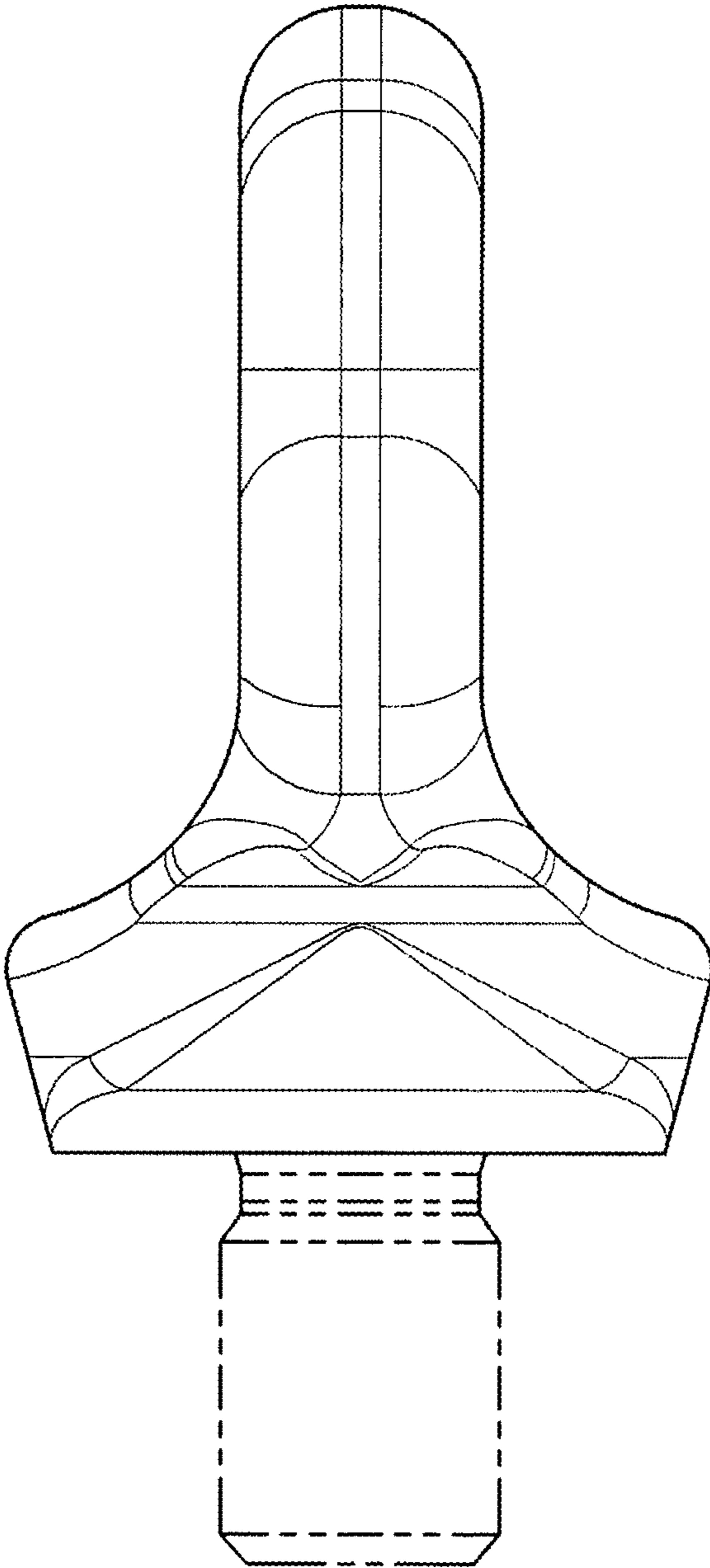


FIG. 5

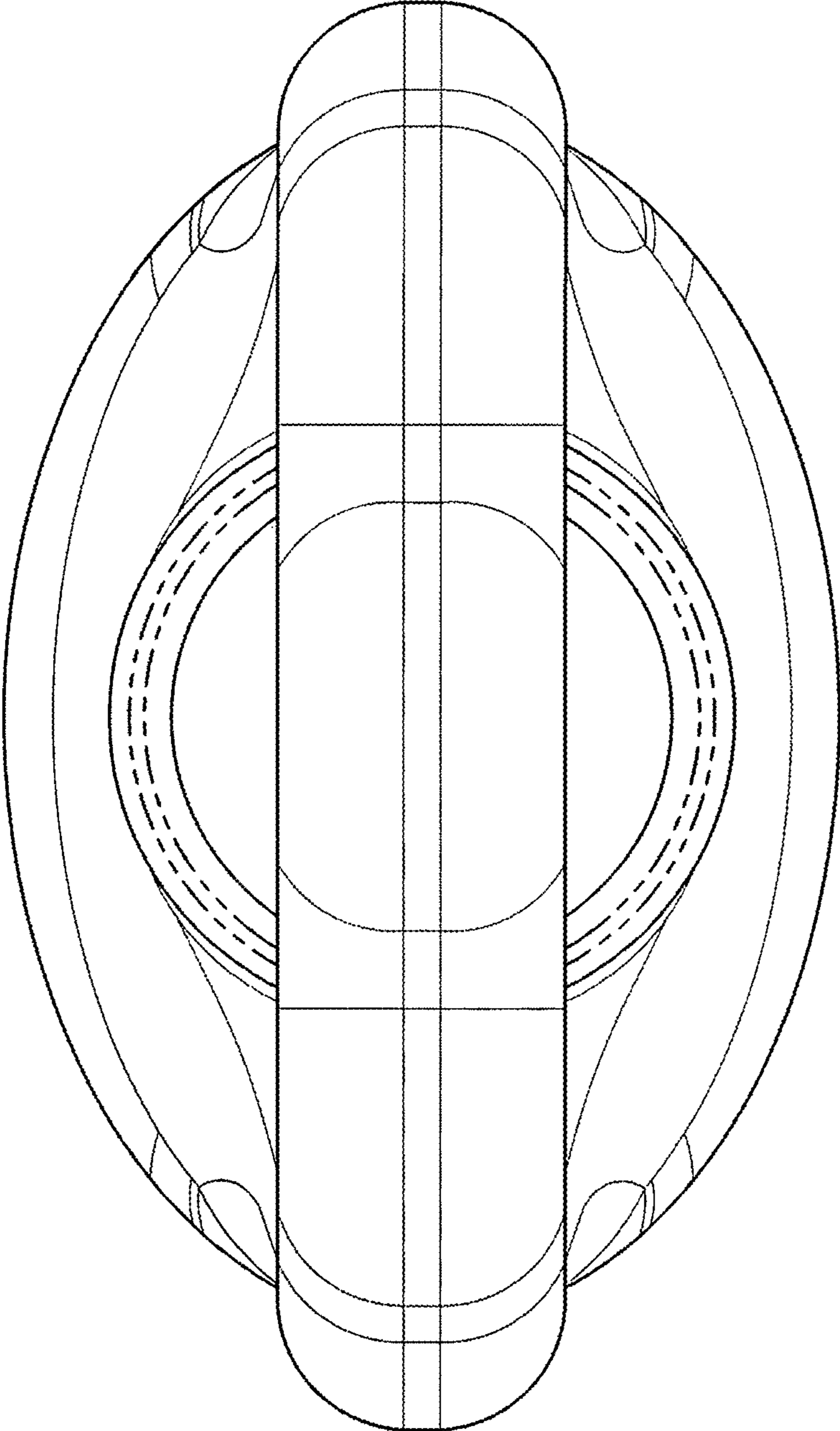


FIG. 6

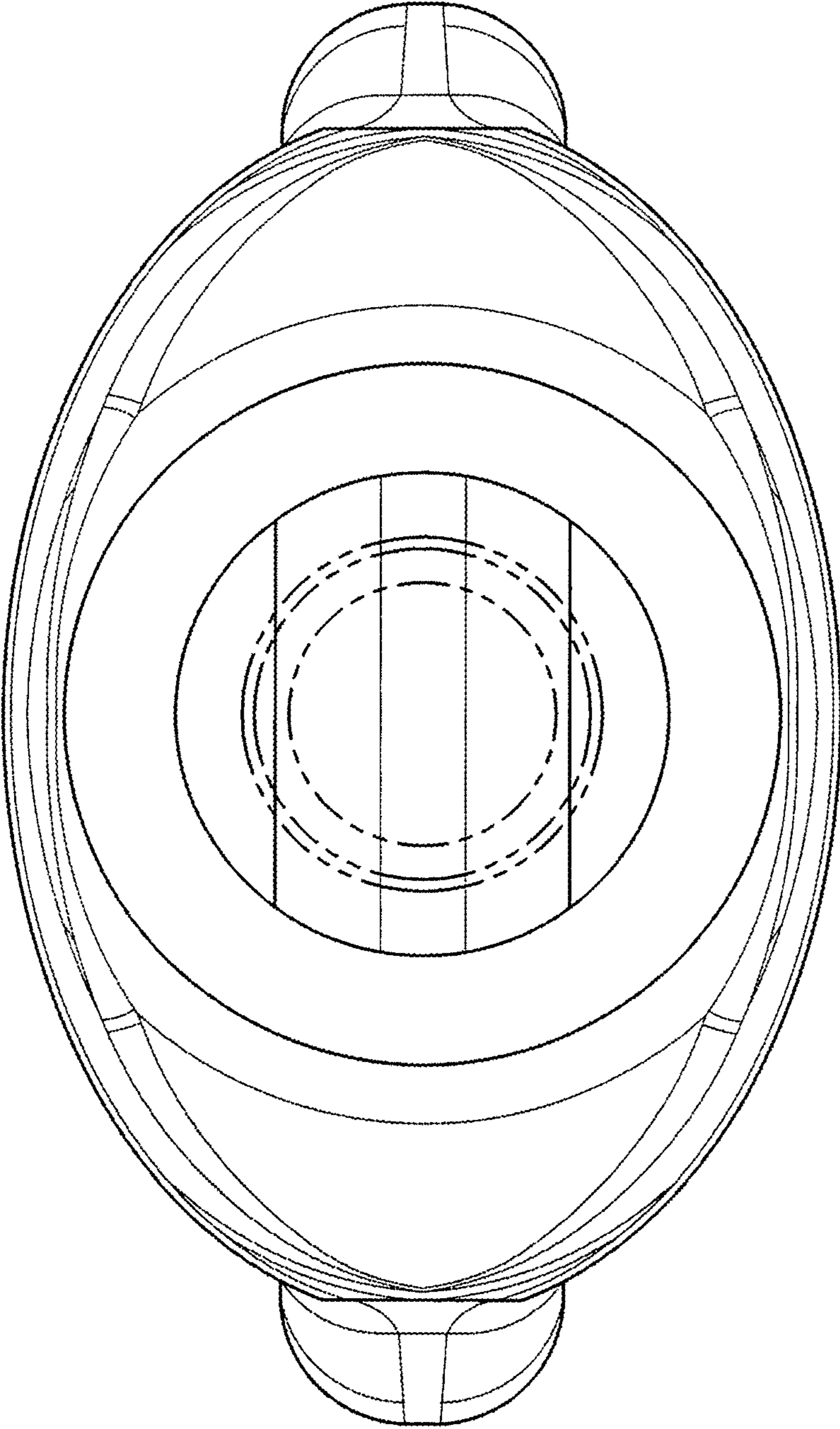


FIG. 7

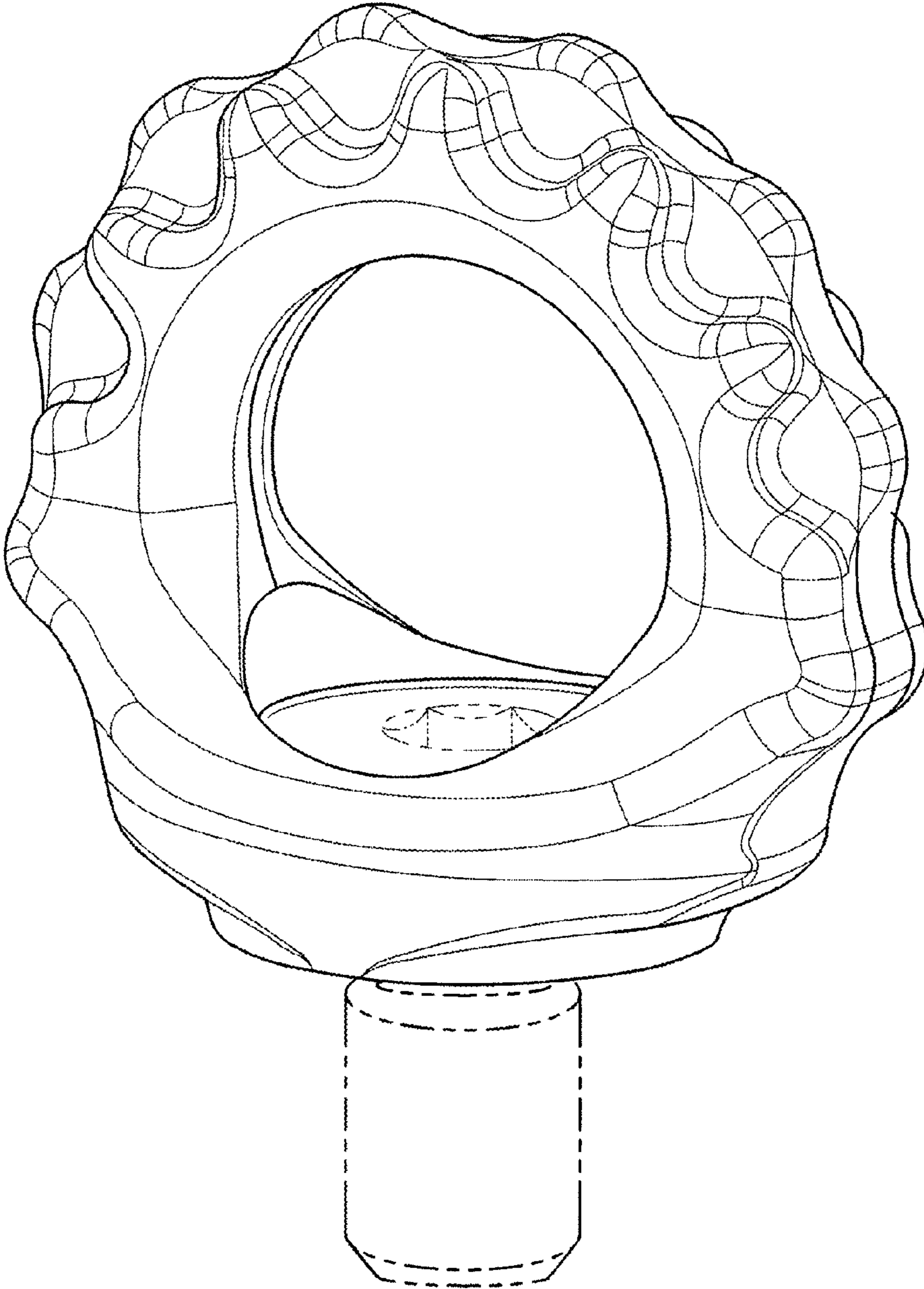


FIG. 8

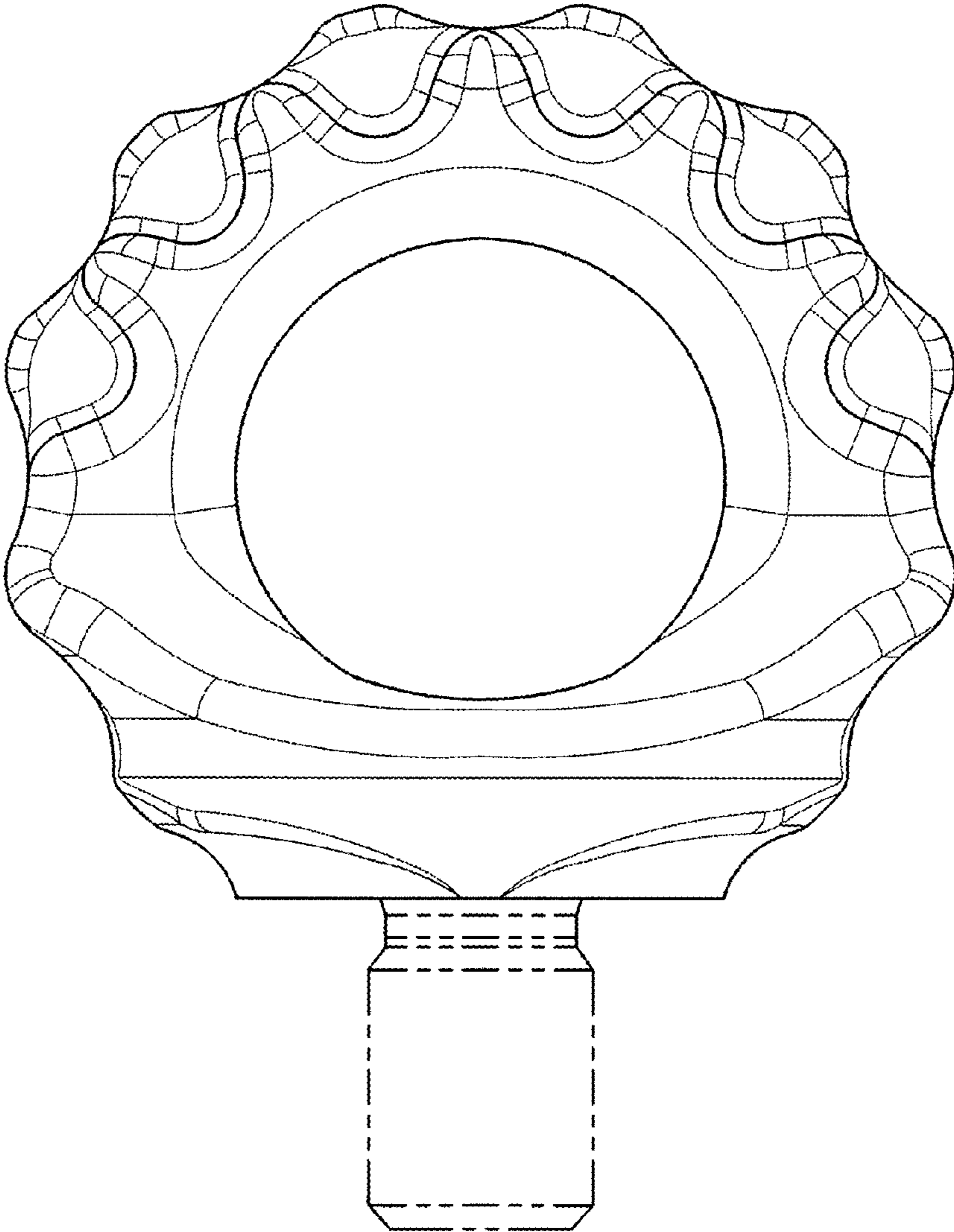


FIG. 9

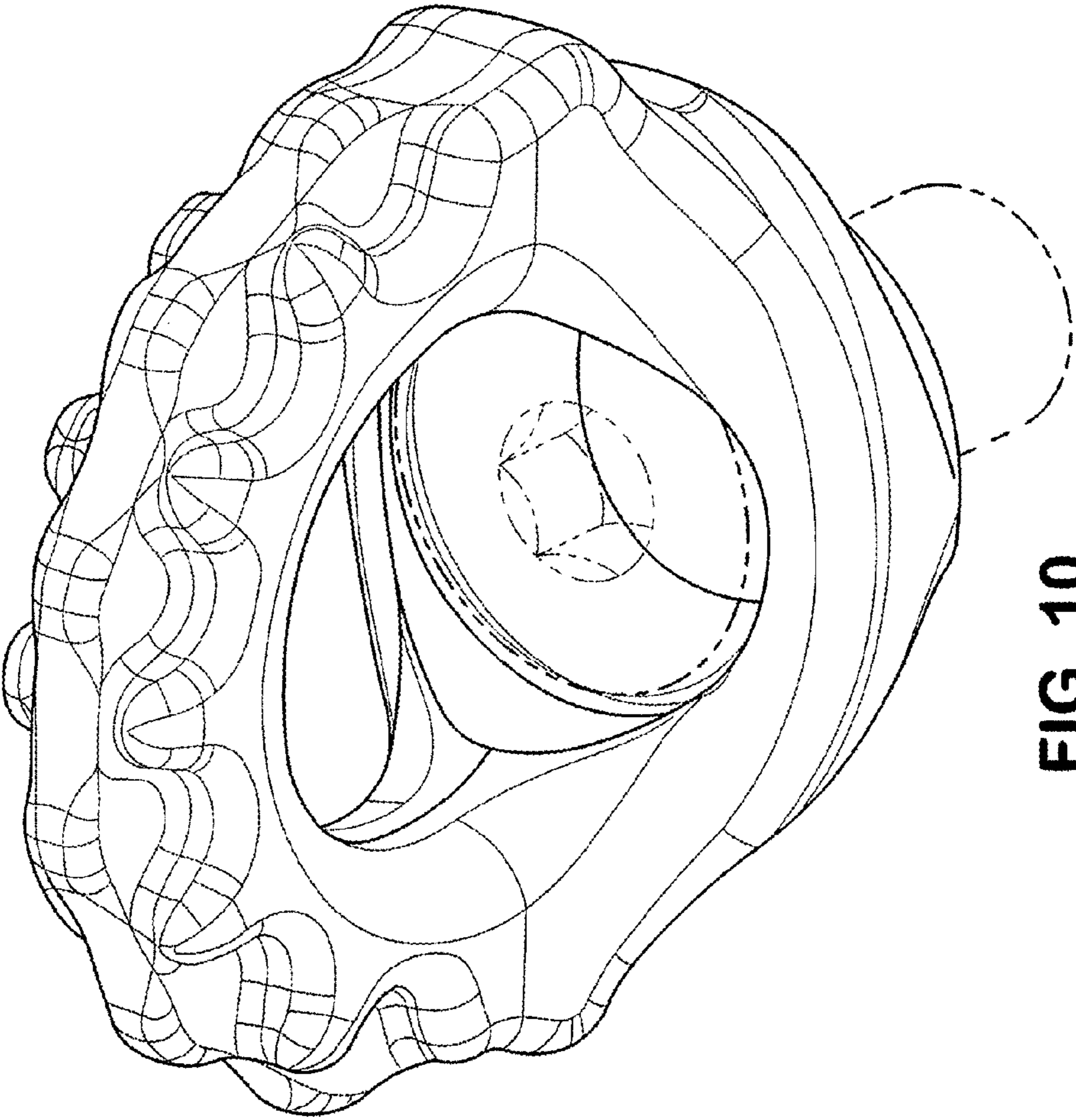


FIG. 10

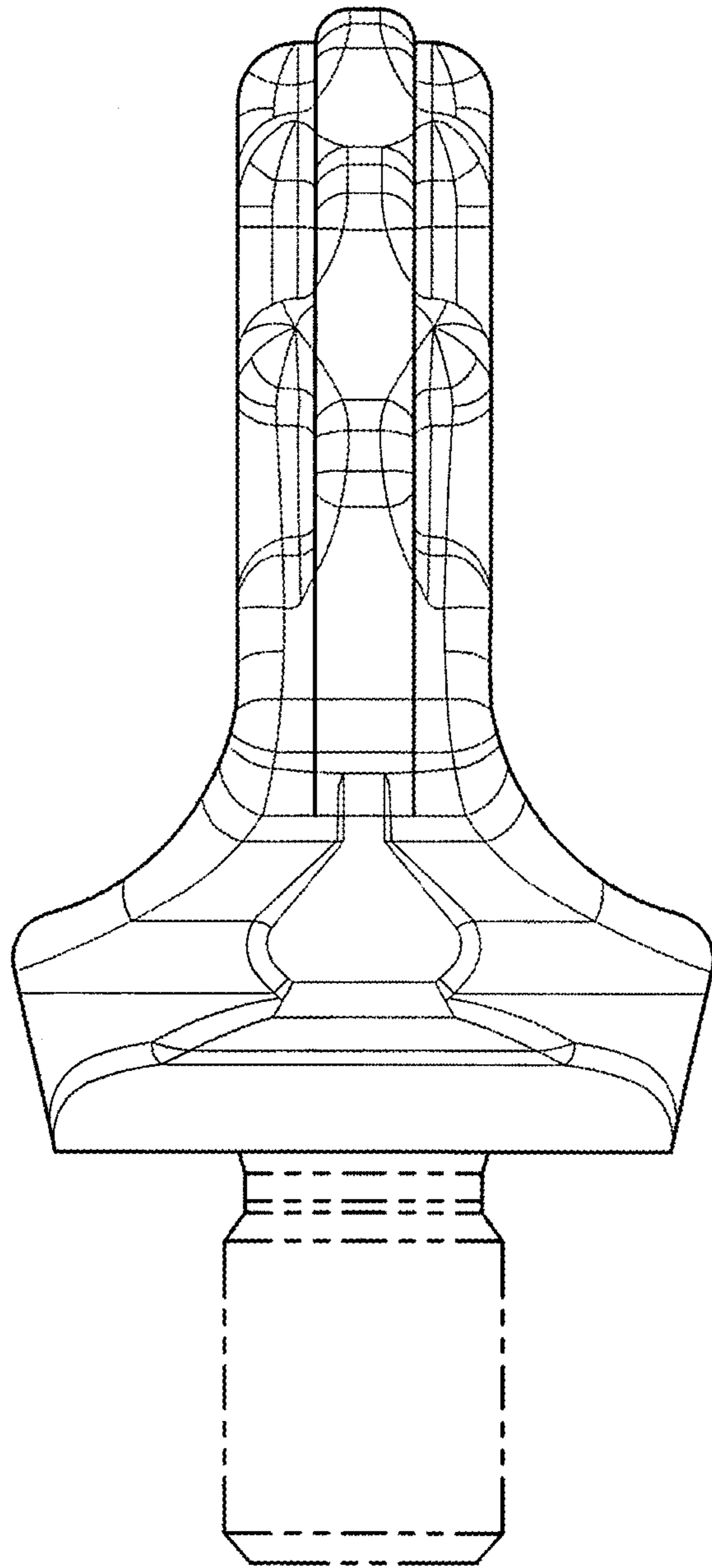


FIG. 11

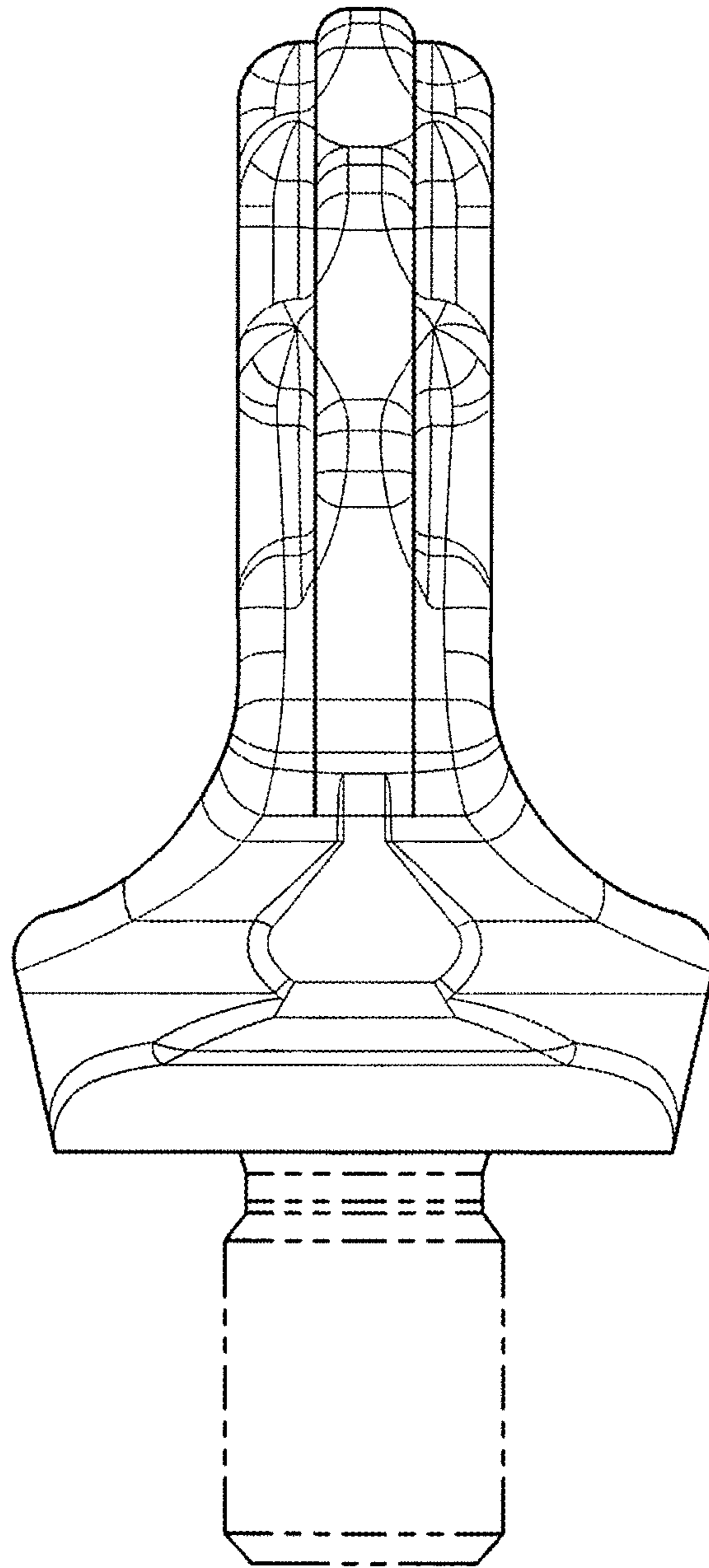


FIG. 12

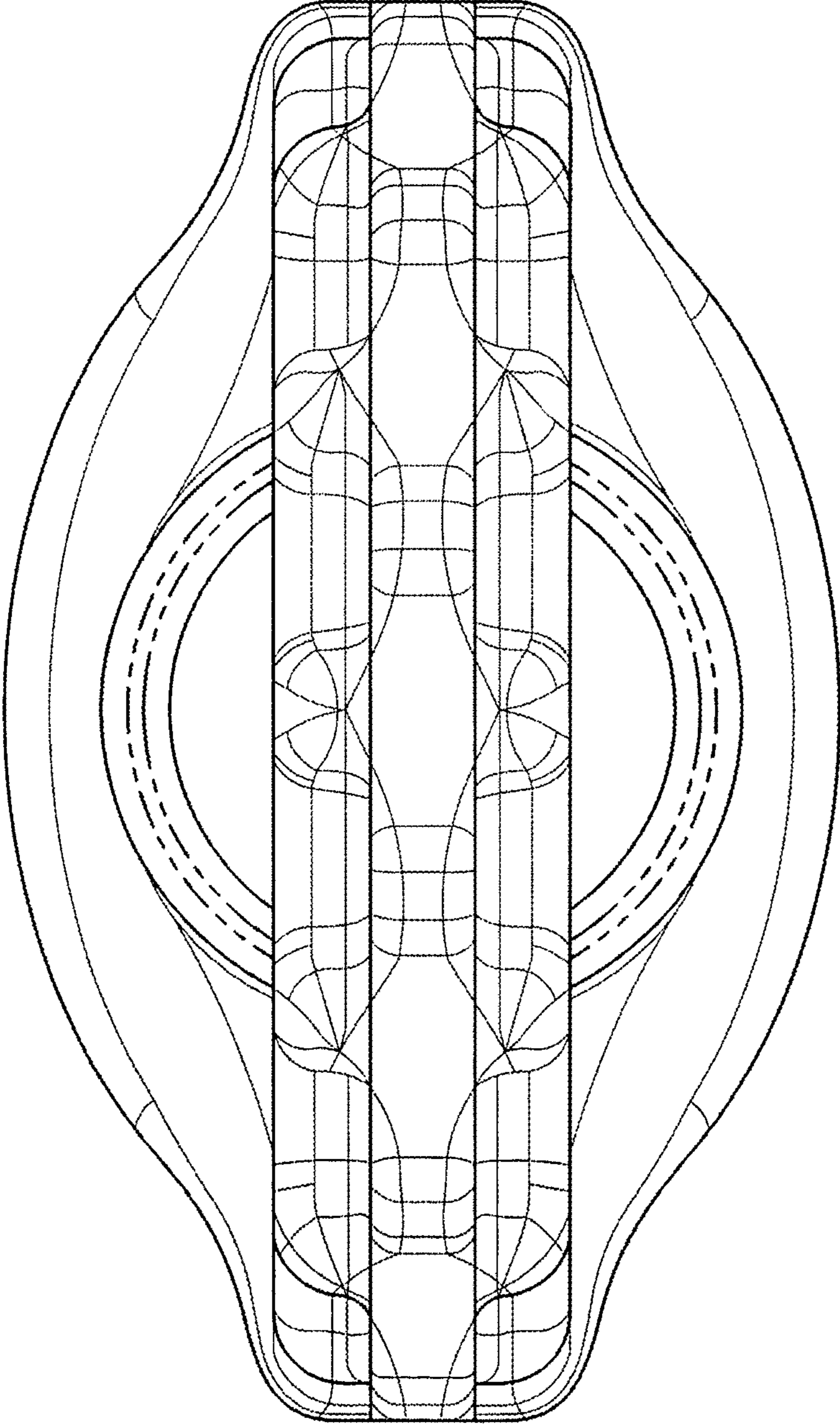


FIG. 13

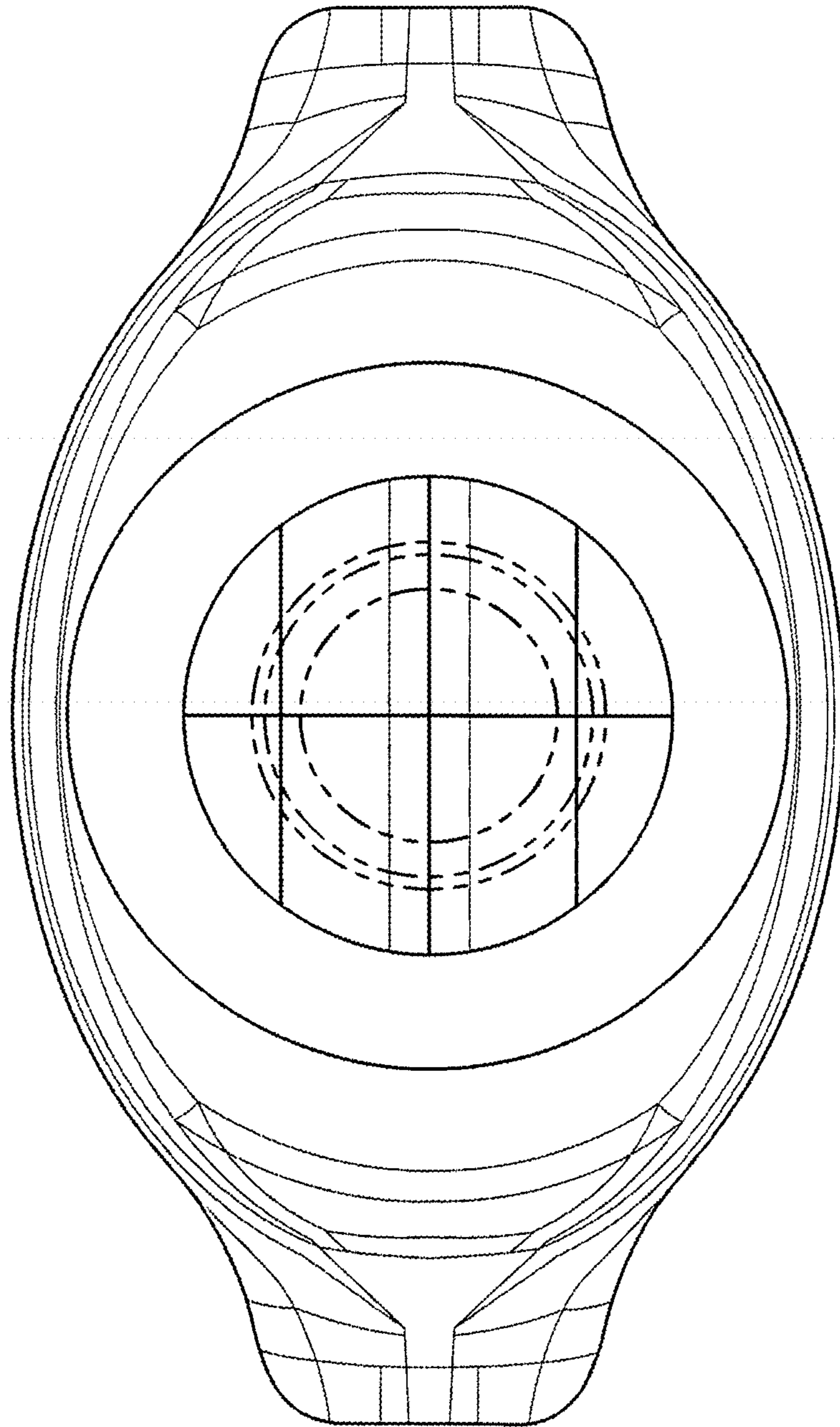


FIG. 14