



US00D742723S

(12) **United States Design Patent**
Oquendo et al.

(10) **Patent No.:** **US D742,723 S**

(45) **Date of Patent:** **** Nov. 10, 2015**

(54) **UNIVERSAL MOUNTING DEVICE**

(71) Applicants: **Marcos Oquendo**, Miami, FL (US);
Brian Wadey, Sumner, WA (US)

(72) Inventors: **Marcos Oquendo**, Miami, FL (US);
Brian Wadey, Sumner, WA (US)

(**) Term: **15 Years**

(21) Appl. No.: **29/527,283**

(22) Filed: **May 18, 2015**

Related U.S. Application Data

(62) Division of application No. 29/467,008, filed on Sep. 13, 2013, now Pat. No. Des. 732,378.

(51) **LOC (10) Cl.** **08-05**

(52) **U.S. Cl.**

USPC **D8/363**

(58) **Field of Classification Search**

USPC D8/349, 354–355, 363, 380, 382–383,
D8/394; D13/155, 102, 118, 154, 184,
D13/199; D25/119, 123, 124, 125;
D21/484, 500, 504

CPC F24J 2/07; F24J 2/14; F24J 2/541;
F24J 2/542; F24J 2/38; Y02E 10/47; Y02E
10/45; Y02E 10/50; Y02E 10/60; Y02E
10/52; E04H 9/022; E04H 9/021; E02D
27/34; E04B 1/98; H01L 35/00; H01L
31/0522; H01L 35/08; H01L 31/052; H01L
31/042; H01L 31/05; H01L 27/1423; H01L
31/048; H01L 31/045; H01L 31/055; B64G
1/443; B64G 1/222; B60G 2202/143

See application file for complete search history.

(56) **References Cited**

U.S. PATENT DOCUMENTS

D88,229 S 11/1932 Hamm
D224,085 S 7/1972 Cuva
D318,607 S 7/1991 Reid et al.

D370,193 S 5/1996 Shull
D374,167 S 10/1996 Scholl
D433,616 S 11/2000 Fischer
D544,565 S 6/2007 Campbell
D569,713 S 5/2008 Sandidge
D594,739 S 6/2009 Lee
D618,085 S 6/2010 Lin et al.

(Continued)

FOREIGN PATENT DOCUMENTS

WO 2014164461 10/2014

OTHER PUBLICATIONS

Feisol. Feisol Bicycle Mount. Jan. 10, 2013. [Retrieved on Jun. 20, 2014]. Retrieved from Internet: <<https://web.archive.org/web/20130110033957/http://www.feisoleurope.com/feisol-bicycle-mount-p-84.html>>.

(Continued)

Primary Examiner — Karen E Kearney

Assistant Examiner — Nathaniel D Buckner

(74) *Attorney, Agent, or Firm* — Mark T. Vogelbacker; Reed Smith LLP

(57) **CLAIM**

The ornamental design for a universal mounting device, as shown and described.

DESCRIPTION

FIG. 1 is a perspective view of a universal mounting device in accordance with our new design;

FIG. 2 is a left side elevation view thereof, with the right side elevation view being a mirror image thereof;

FIG. 3 is a front elevation view thereof;

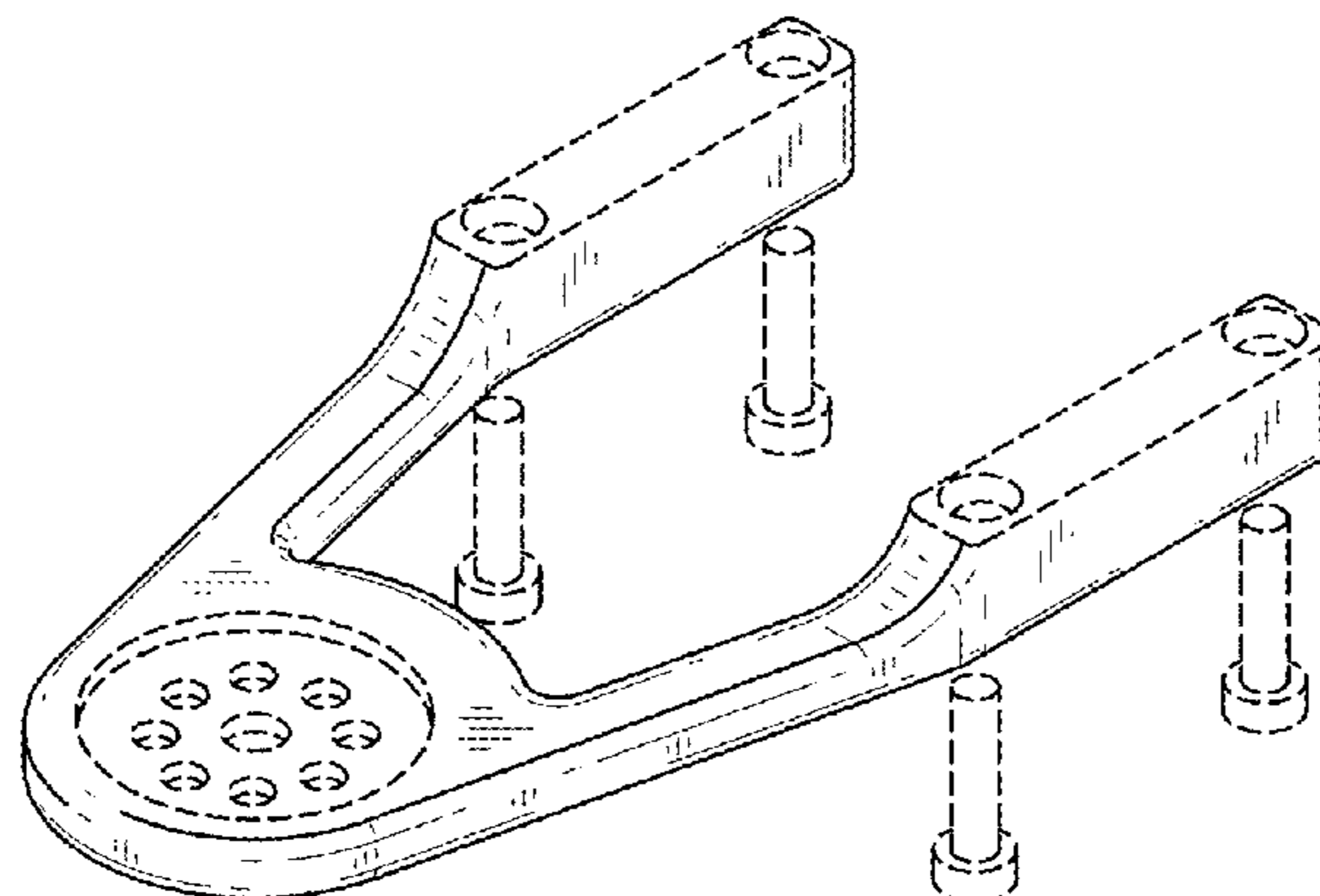
FIG. 4 is a rear elevation view thereof;

FIG. 5 is a top plan view thereof; and,

FIG. 6 is a bottom plan view thereof.

The broken lines in the figures illustrate environmental structure only and form no part of the claimed design.

1 Claim, 3 Drawing Sheets



(56)

References Cited

U.S. PATENT DOCUMENTS

8,770,608 B1 7/2014 Chamberlain
D731,983 S * 6/2015 Teranishi D13/154
D732,378 S * 6/2015 Oquendo D8/363
D732,481 S * 6/2015 Chang D13/154
D736,073 S * 8/2015 Eriksson D8/394
D737,218 S * 8/2015 Yoshida D13/154
D737,663 S * 9/2015 Kandakur D15/5
2001/0039850 A1 11/2001 Masui
2010/0171832 A1 7/2010 Solida

2010/0214793 A1 8/2010 Retief
2010/0264184 A1 10/2010 Retief
2011/0221161 A1 9/2011 Ludovici et al.
2012/0091179 A1 4/2012 Wotton
2014/0263509 A1 9/2014 OQuendo et al.

OTHER PUBLICATIONS

International Search Report and Written Opinion in PCT Application
No. PCT/US2014/022487, Jul. 28, 2014.
Notice of Allowance in U.S. Appl. No. 29/467,008, May 11, 2015.

* cited by examiner

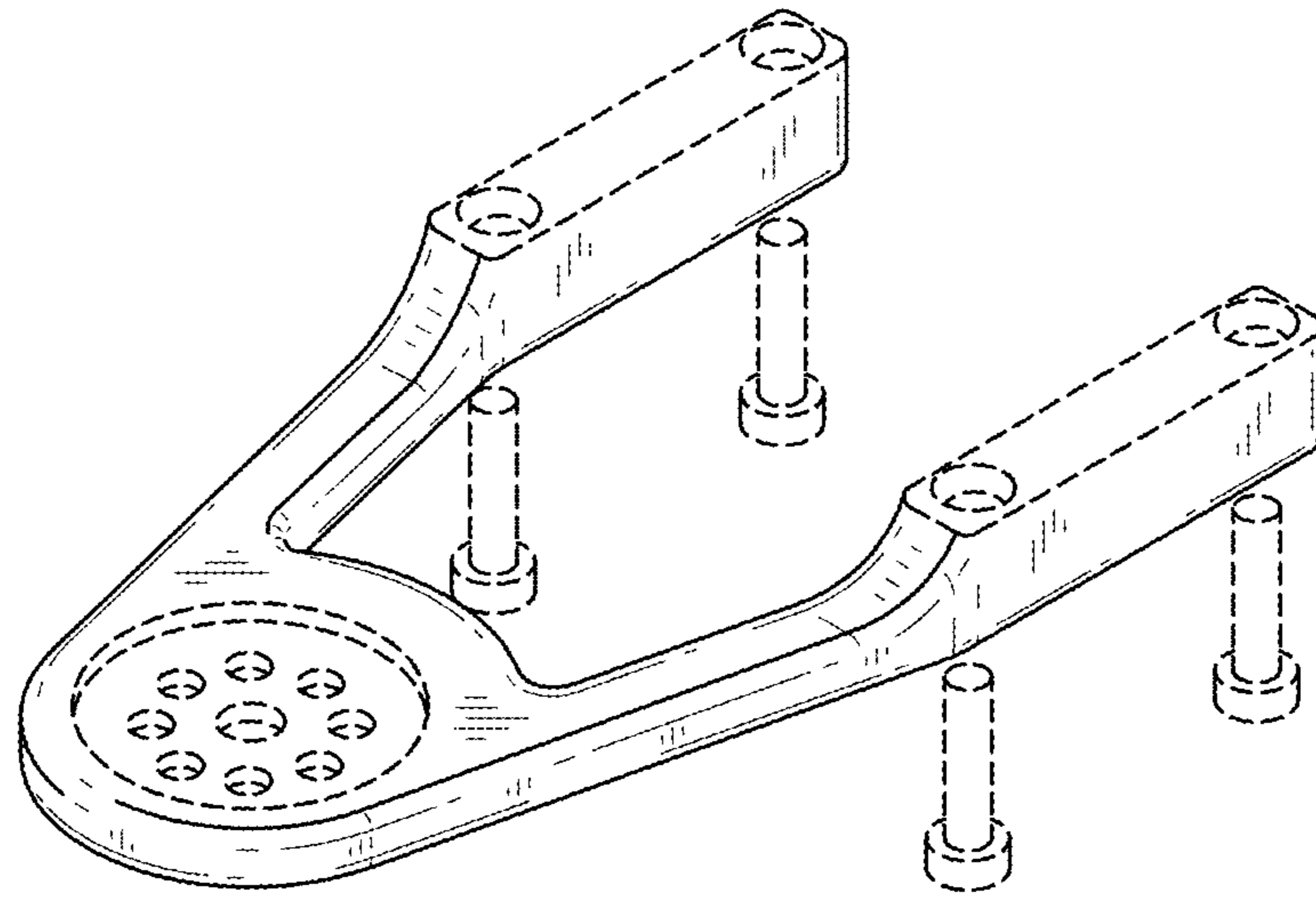


Fig. 1

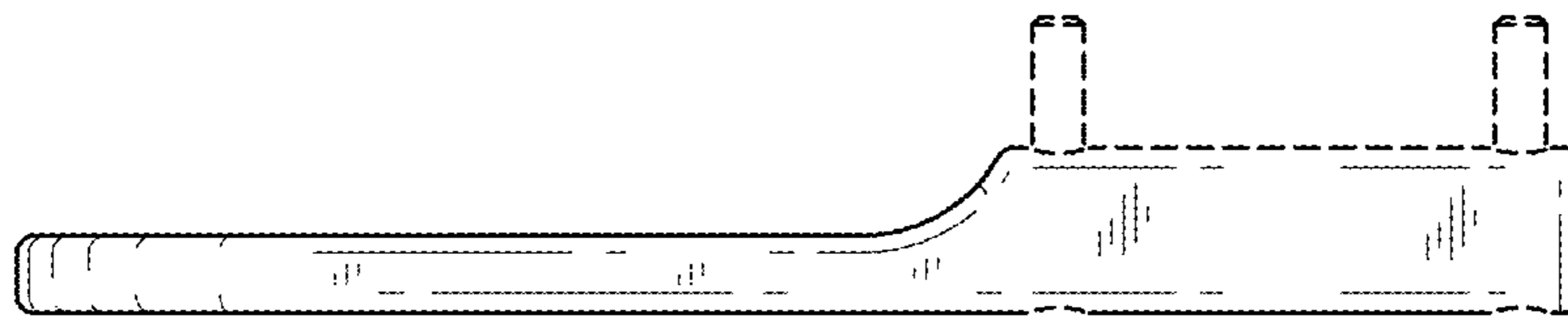


Fig. 2

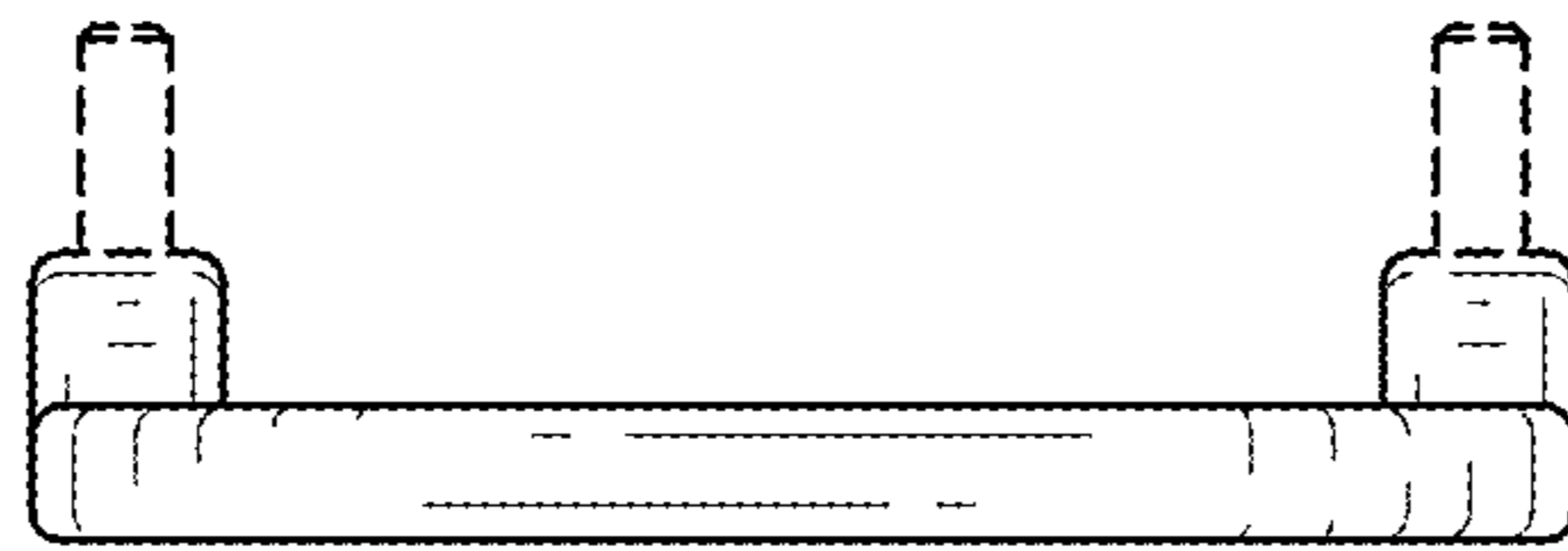


Fig. 3

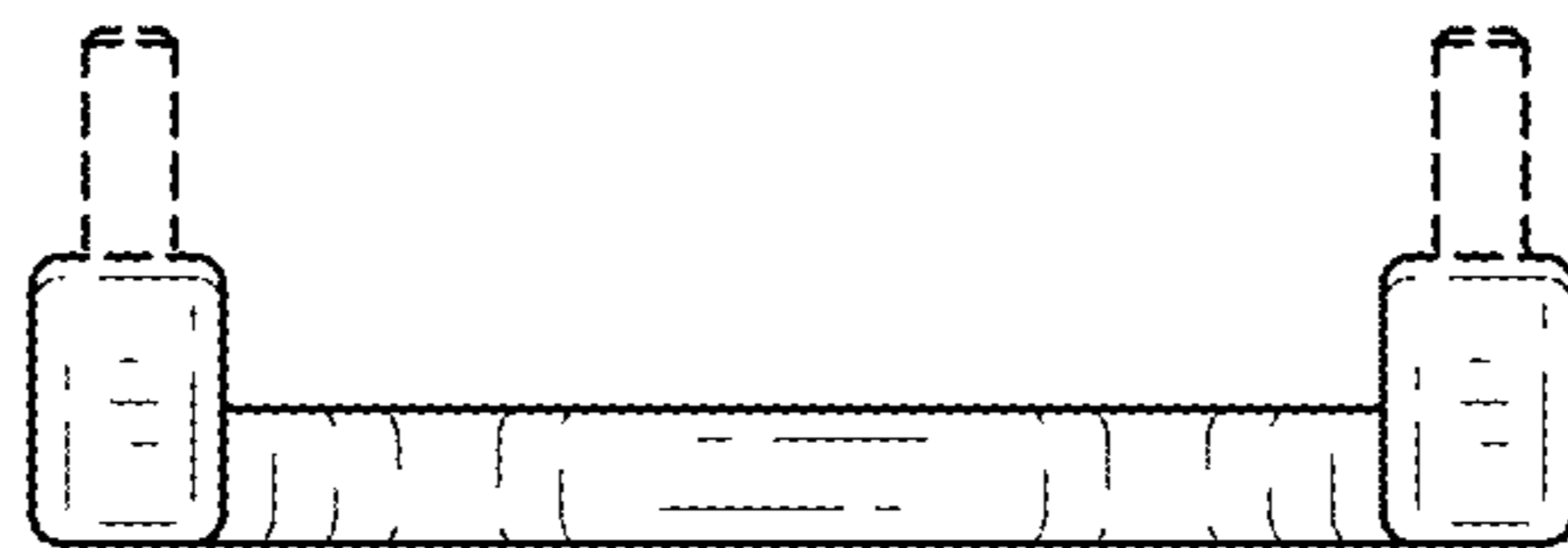


Fig. 4

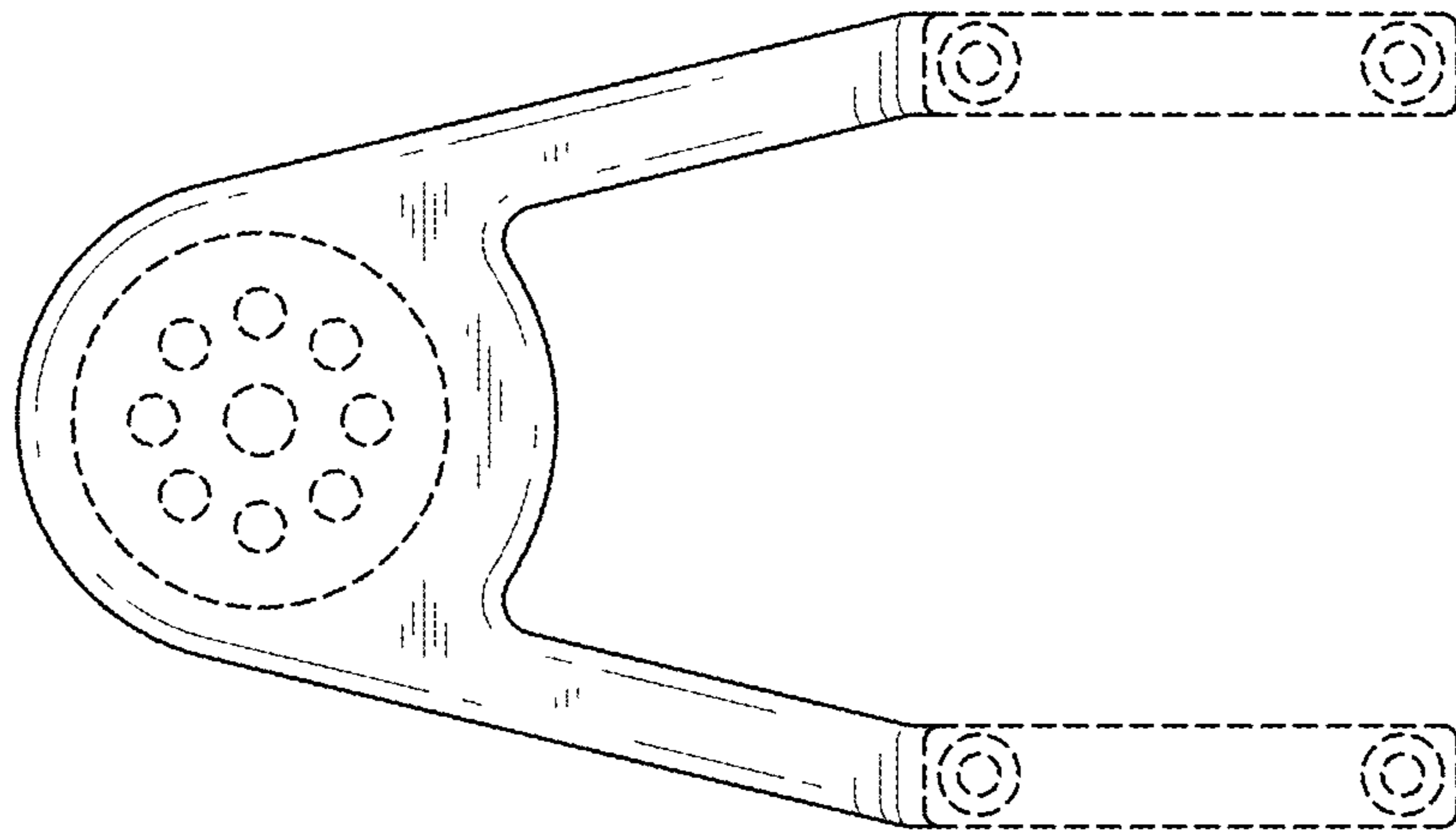


Fig. 5

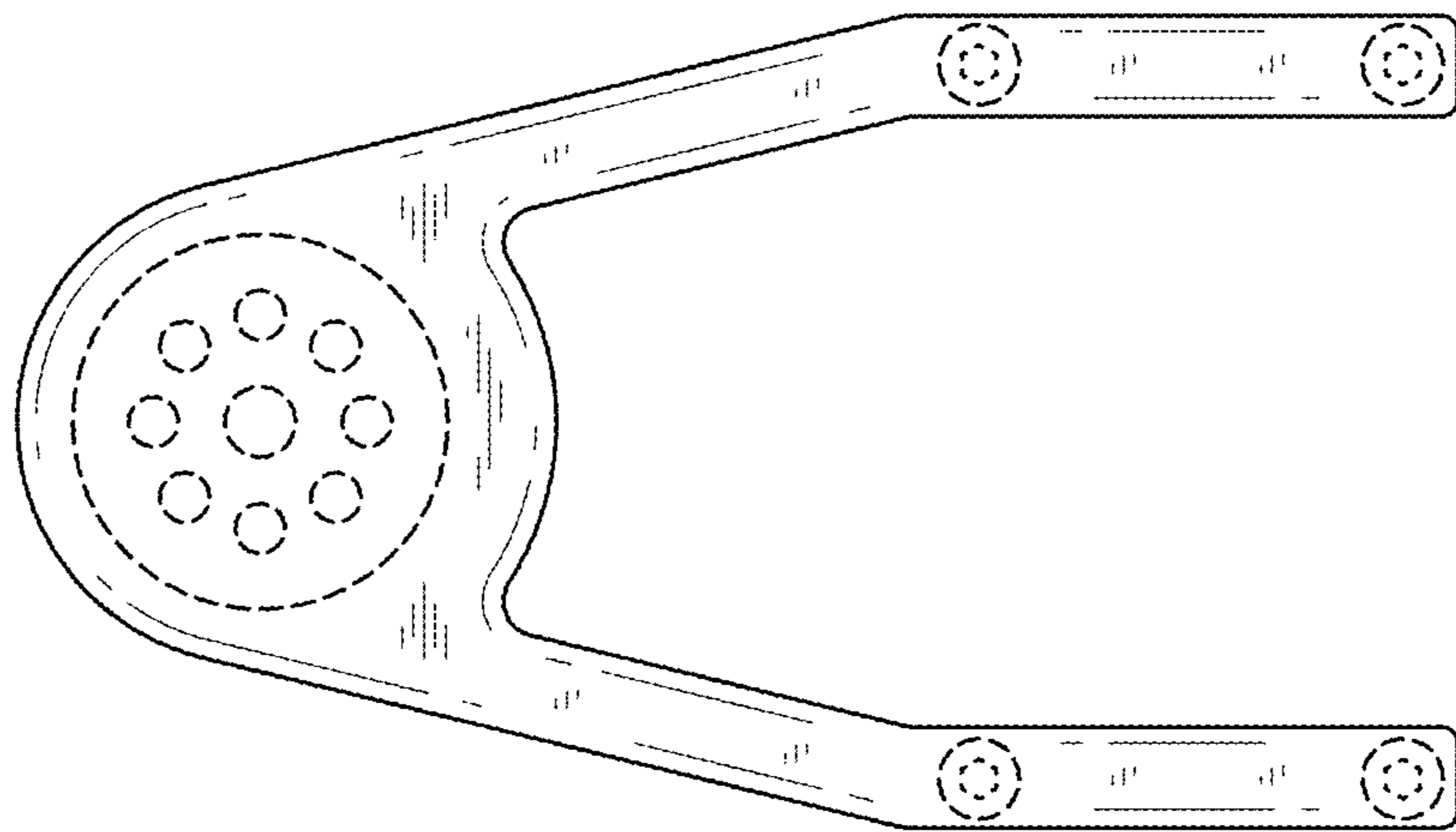


Fig. 6