

US00D742721S

(12) **United States Design Patent**
Cosby et al.

(10) **Patent No.:** **US D742,721 S**
(45) **Date of Patent:** **** Nov. 10, 2015**

(54) **BRACKET FOR A HYDRAULIC GATE HINGE AND CLOSER**

(71) Applicant: **D & D Group Pty Ltd.**, Frenchs Forrest, NSW (AU)

(72) Inventors: **Scott Cosby**, Narraweena (AU); **John Anthony Clark**, Cremorne (AU)

(73) Assignee: **D&D GROUP PTY LTD.**, Frenchs Forrest, NSW (AU)

(**) Term: **14 Years**

(21) Appl. No.: **29/464,448**

(22) Filed: **Aug. 16, 2013**

(30) **Foreign Application Priority Data**

Aug. 5, 2013 (AU) 201313733

(51) **LOC (10) Cl.** **08-08**

(52) **U.S. Cl.**
USPC **D8/349**

(58) **Field of Classification Search**
USPC D8/323, 330, 349, 354, 382, 400, 499
CPC E05F 1/00; E05F 1/08; E05F 1/12;
E05F 1/1207; E05F 3/02; E05F 3/18; E05C
3/04; E05B 65/06; A47H 1/10
See application file for complete search history.

(56) **References Cited**

U.S. PATENT DOCUMENTS

1,359,144 A * 11/1920 Angell 16/69
D319,966 S * 9/1991 Ellison D8/382
5,098,054 A * 3/1992 Dyer 248/313
5,495,639 A * 3/1996 Wartian 16/79
D598,272 S * 8/2009 Tejszerski D8/349
D715,129 S * 10/2014 Quinn et al. D8/330

D725,990 S * 4/2015 Zheng D8/323
2003/0132358 A1 * 7/2003 Collins et al. 248/300
2003/0154571 A1 * 8/2003 Hsiang et al. 16/320
2004/0093689 A1 * 5/2004 Sosa et al. 16/301
2006/0086051 A1 * 4/2006 Woods et al. 49/394
2006/0230573 A1 * 10/2006 Kao 16/50
2014/0075720 A1 * 3/2014 Caffin et al. 16/298

OTHER PUBLICATIONS

Self Closing Adjustable Hinges, dated Apr. 13, 2012, [online], [site visited Jun. 24, 2015]. Available from Internet, <URL: <http://www.snugcottagehardware.com/Snug%20Product%20Pages/PVC%20Hardware%20Conventional/8100.html>>.*

* cited by examiner

Primary Examiner — Thomas Johannes

Assistant Examiner — Shawn T Gingrich

(74) *Attorney, Agent, or Firm* — BainwoodHuang

(57) **CLAIM**

The ornamental design for a bracket for a hydraulic gate hinge and closer, as shown and described.

DESCRIPTION

FIG. 1 is a front perspective view from above view of a bracket for a hydraulic gate hinge and closer according to my new design;

FIG. 2 is a front view thereof;

FIG. 3 is a rear view thereof;

FIG. 4 is a left side view thereof;

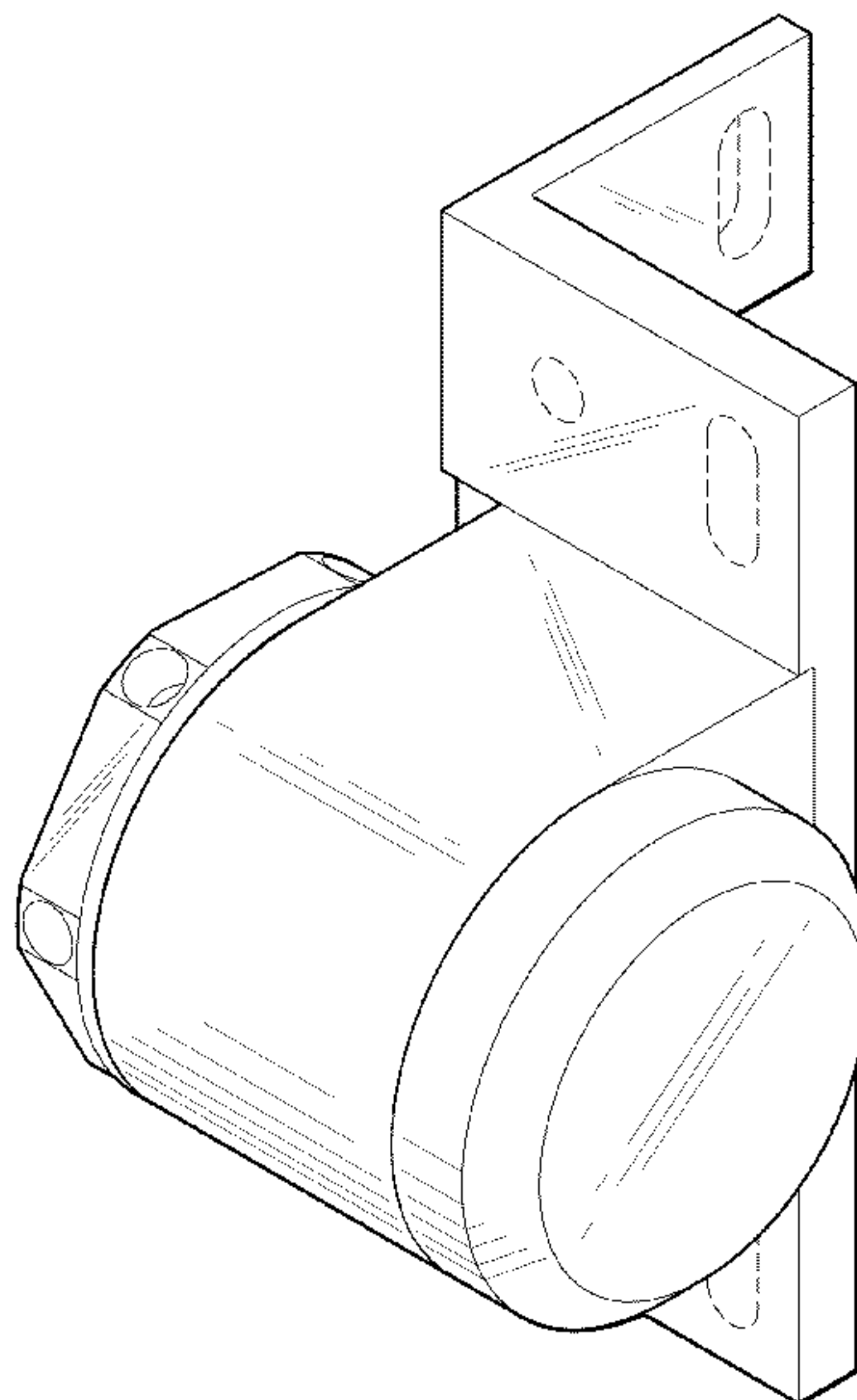
FIG. 5 is a right side view thereof;

FIG. 6 is a top plan view thereof; and,

FIG. 7 is a bottom view thereof.

The broken line portion of the figure drawings is included to show unclaimed subject matter only and forms no part of the claimed design.

1 Claim, 7 Drawing Sheets



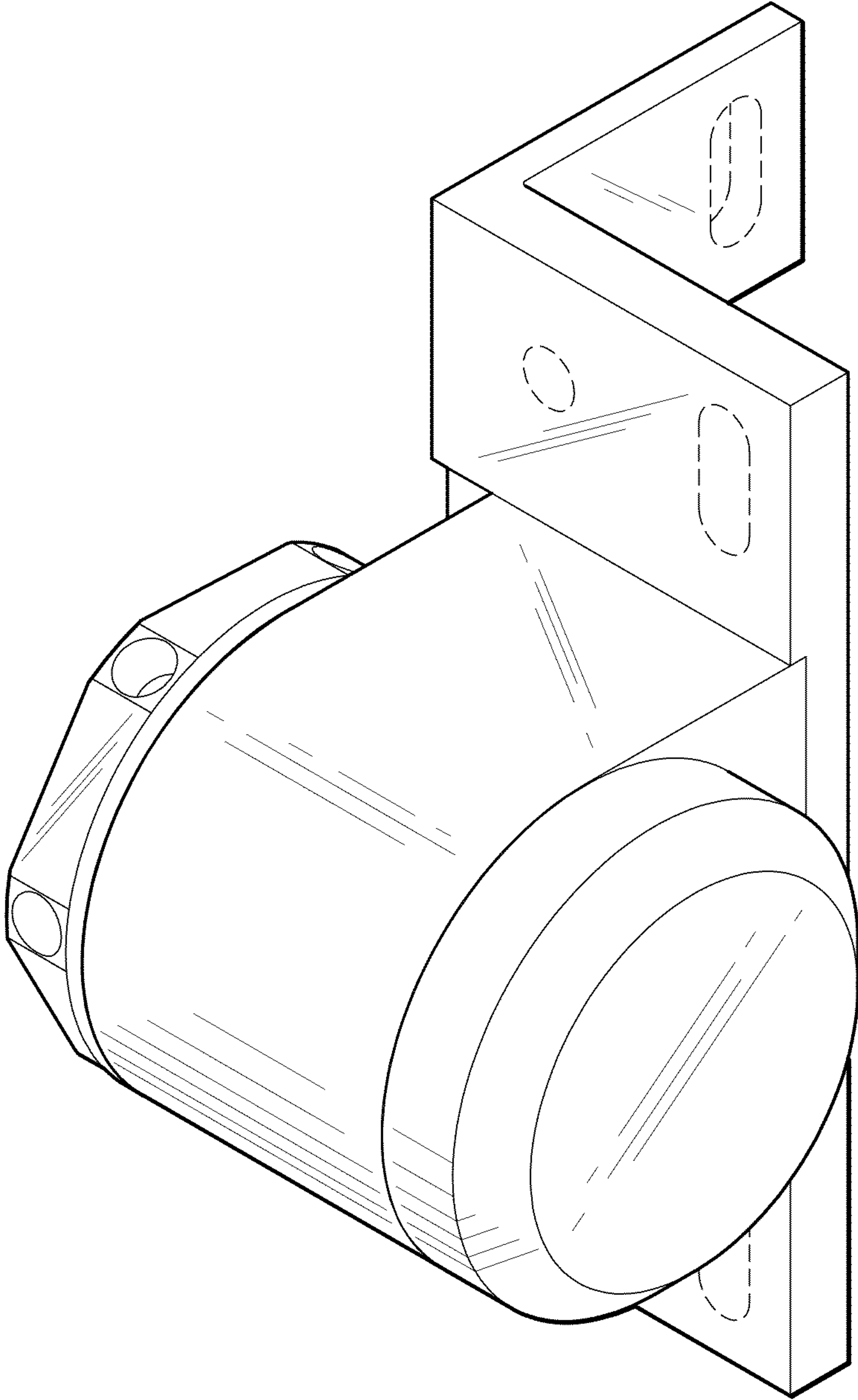


FIG. 1

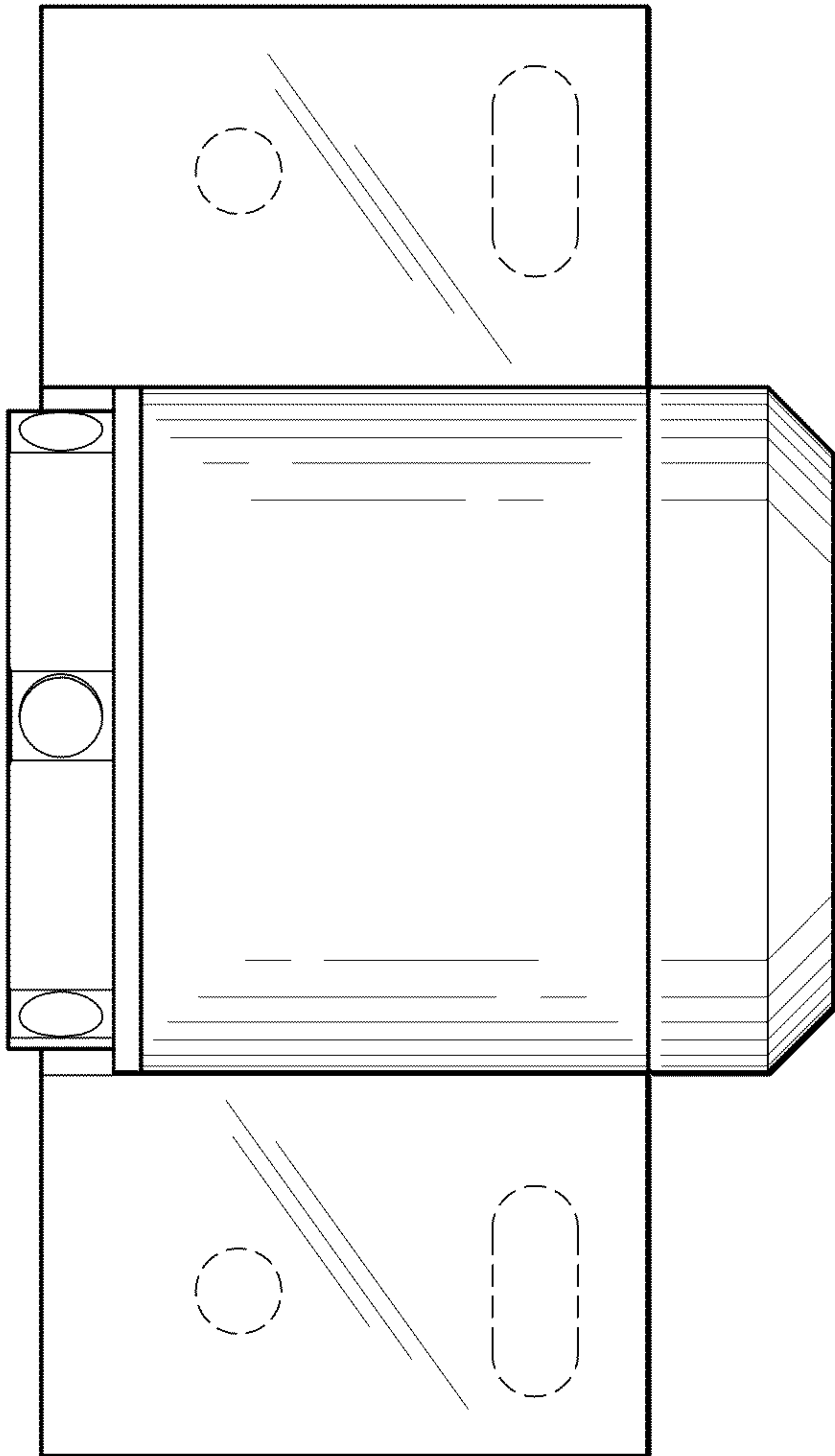


FIG. 2

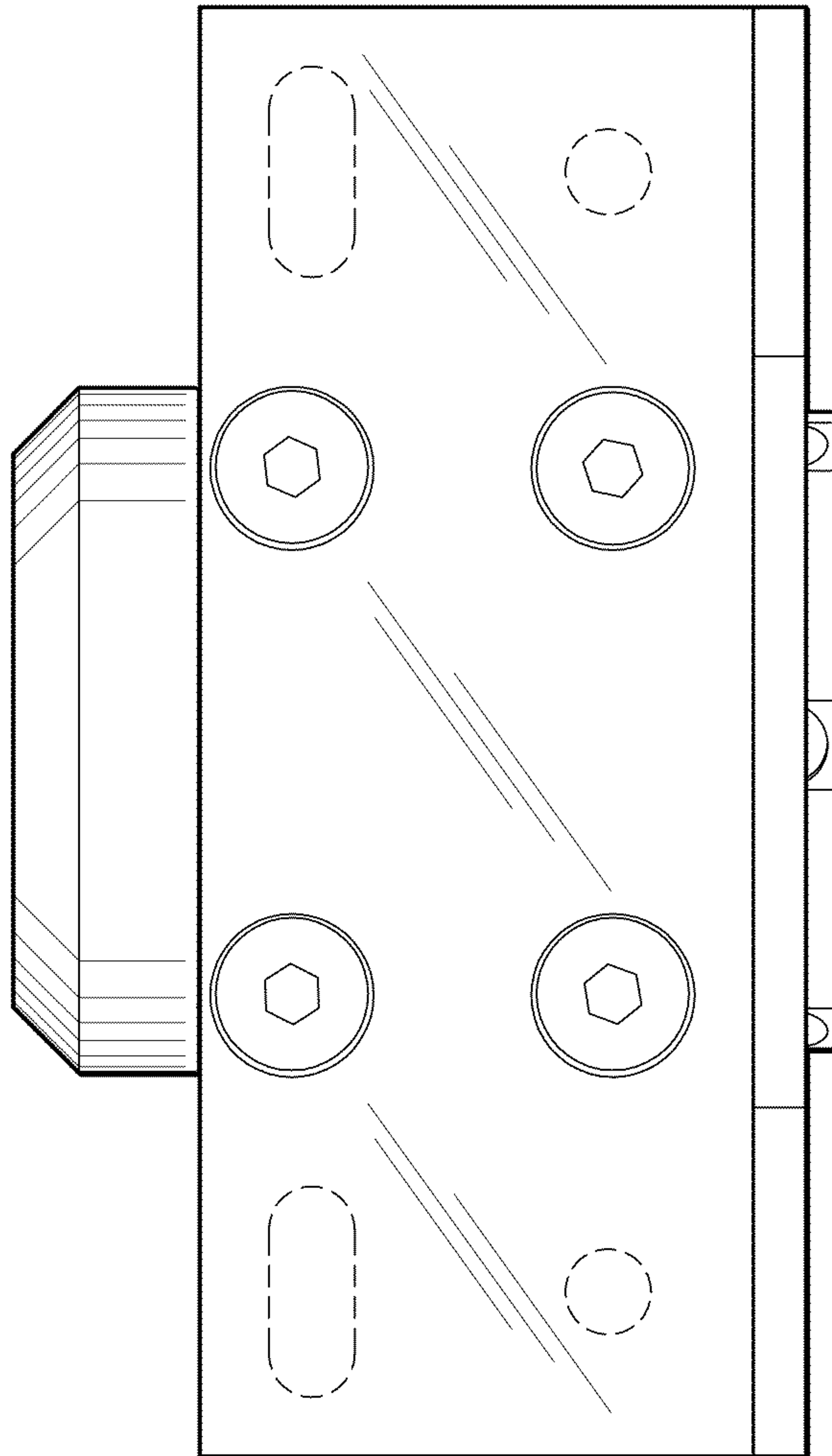


FIG. 3

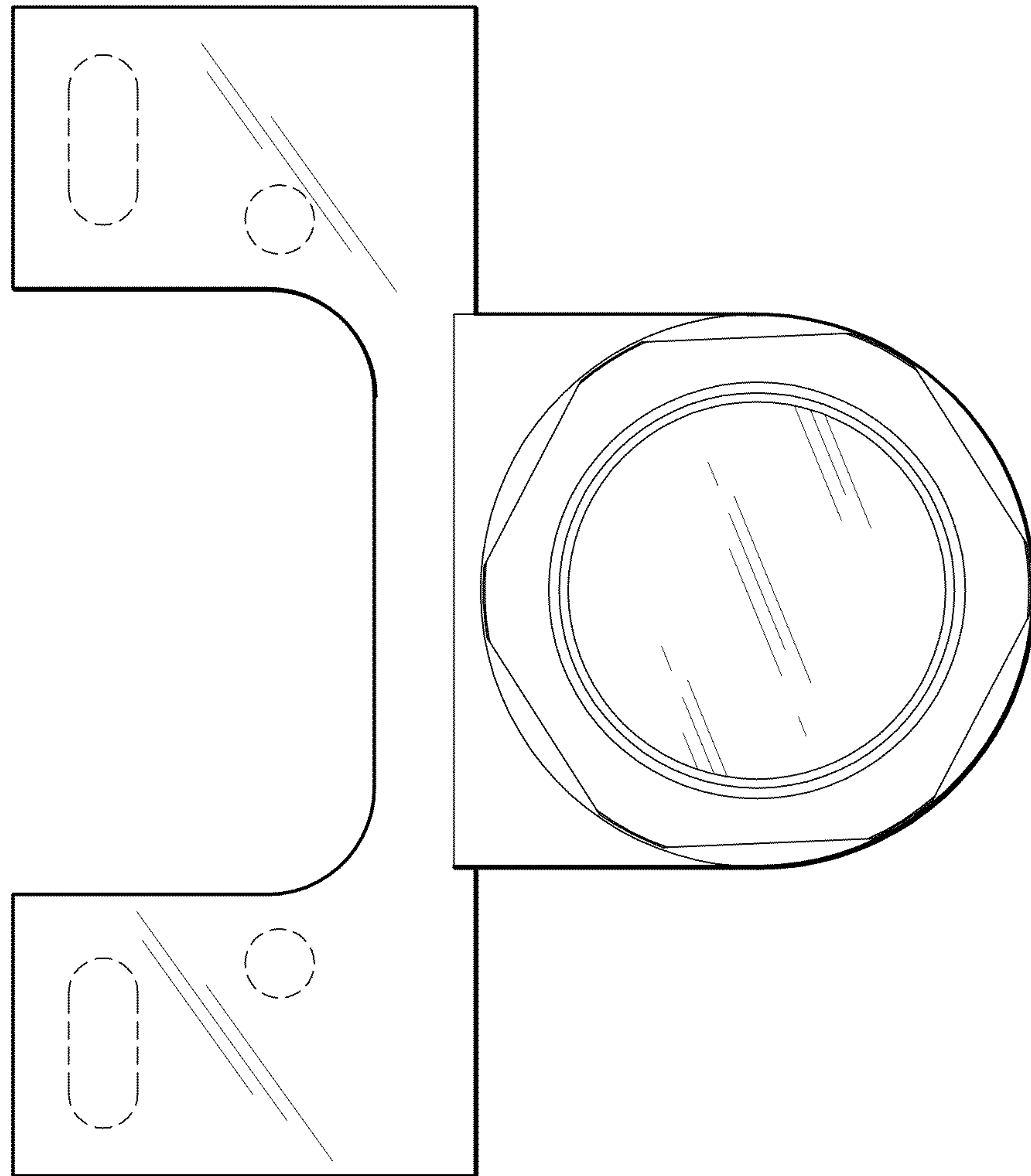


FIG. 4

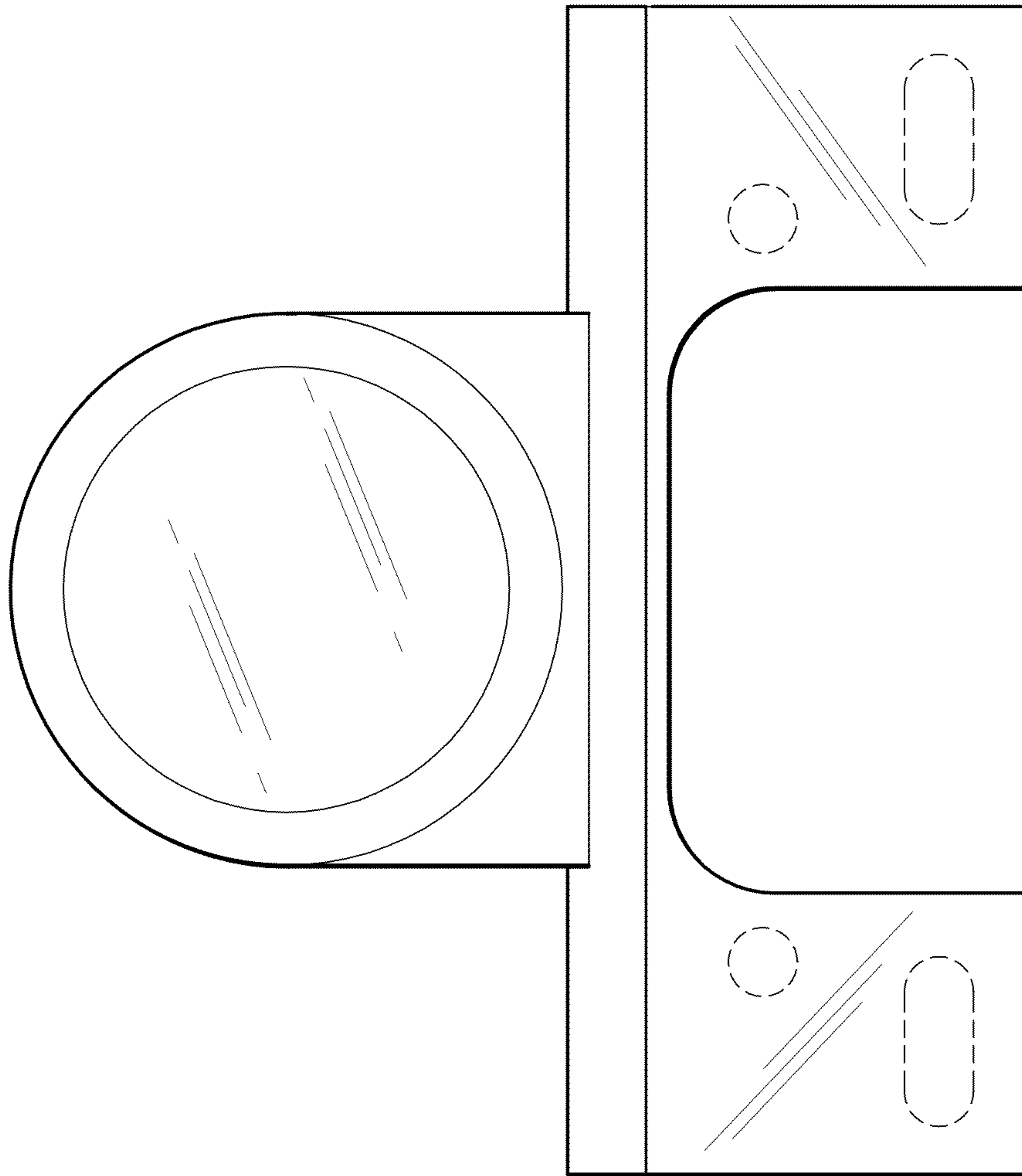


FIG. 5

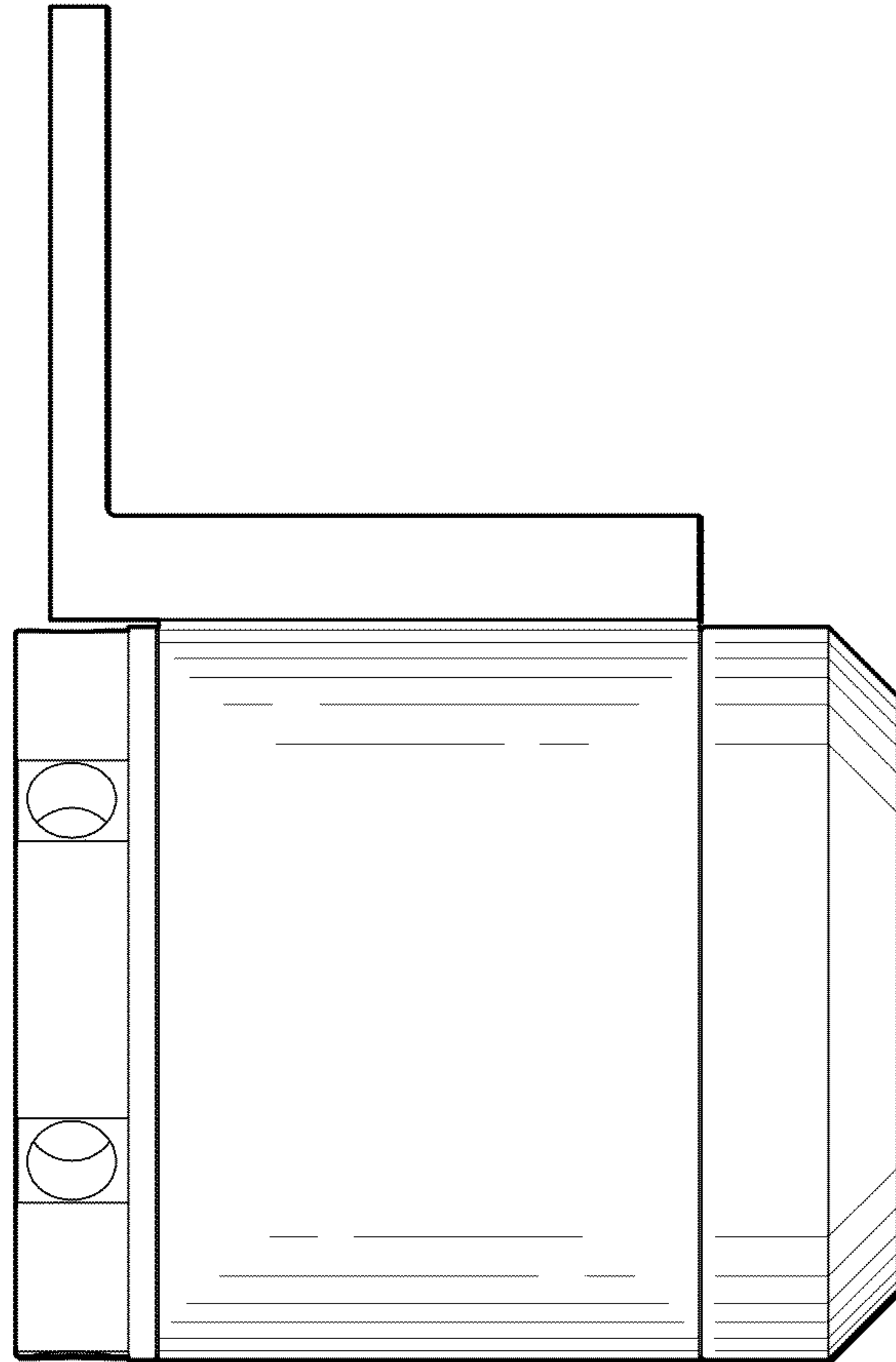


FIG. 6

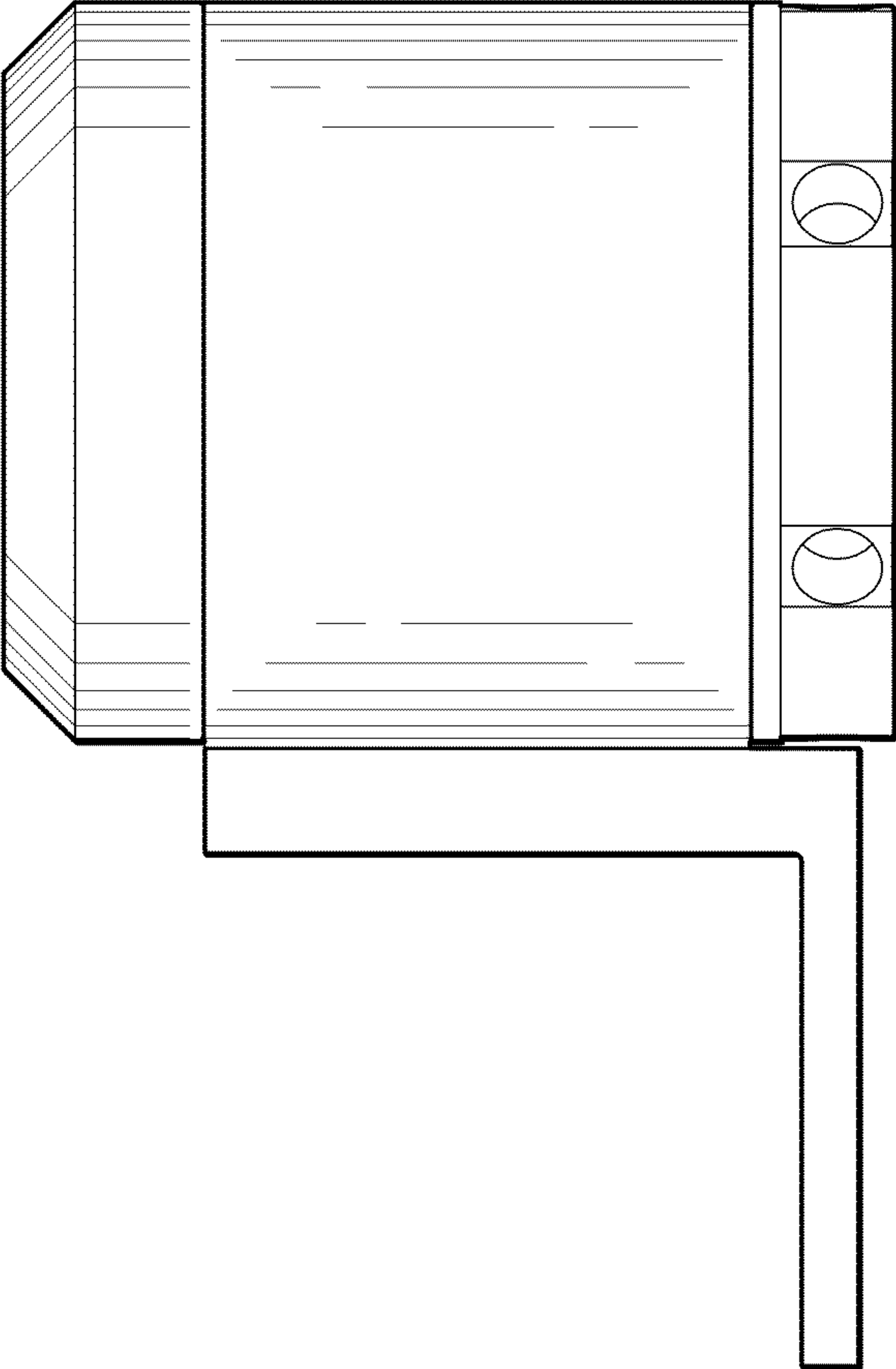


FIG. 7