



US00D742720S

(12) **United States Design Patent**  
**Perry et al.**

(10) **Patent No.:** **US D742,720 S**

(45) **Date of Patent:** **\*\* Nov. 10, 2015**

(54) **MOUNTING BRACKET**

(71) Applicant: **Elo Touch Solutions, Inc.**, Milpitas, CA  
(US)

(72) Inventors: **Brian Perry**, San Jose, CA (US); **Jeffery T. Haller**, Redwood City, CA (US)

(73) Assignee: **Elo Touch Solutions, Inc.**, Milpitas, CA  
(US)

(\*\*) Term: **14 Years**

(21) Appl. No.: **29/453,940**

(22) Filed: **May 3, 2013**

(51) **LOC (10) Cl.** ..... **08-08**

(52) **U.S. Cl.**

USPC ..... **D8/349**

(58) **Field of Classification Search**

USPC ..... D8/330, 349, 354, 382, 400, 499;  
D14/375-377, 448, 451, 452

CPC ..... A47B 2021/0364; A61B 2019/5229;  
A61B 2097/005; F16M 13/00; F16M 11/12;  
F16M 13/02; G02B 21/368; H05K 17/00

See application file for complete search history.

(56) **References Cited**

**U.S. PATENT DOCUMENTS**

D439,501 S \* 3/2001 Benz et al. .... D8/354  
D486,501 S \* 2/2004 Hawkins et al. .... D15/7

D515,910 S \* 2/2006 Gates et al. .... D8/354  
D522,348 S \* 6/2006 Hansen ..... D8/354  
D559,665 S \* 1/2008 Terada et al. .... D8/382

\* cited by examiner

*Primary Examiner* — Thomas Johannes

*Assistant Examiner* — Shawn T Gingrich

(74) *Attorney, Agent, or Firm* — Alston & Bird LLP

(57) **CLAIM**

We claim the ornamental design for a mounting bracket, as shown and described.

**DESCRIPTION**

FIG. 1 is a perspective view of a mounting bracket showing our new design;

FIG. 2 is a front elevation view thereof;

FIG. 3 is a rear elevation view thereof;

FIG. 4 is a right side elevation view thereof;

FIG. 5 is a left side elevation view thereof;

FIG. 6 is a top plan view thereof;

FIG. 7 is a bottom plan view thereof;

FIG. 8 is another perspective view thereof, shown attached to a monitor;

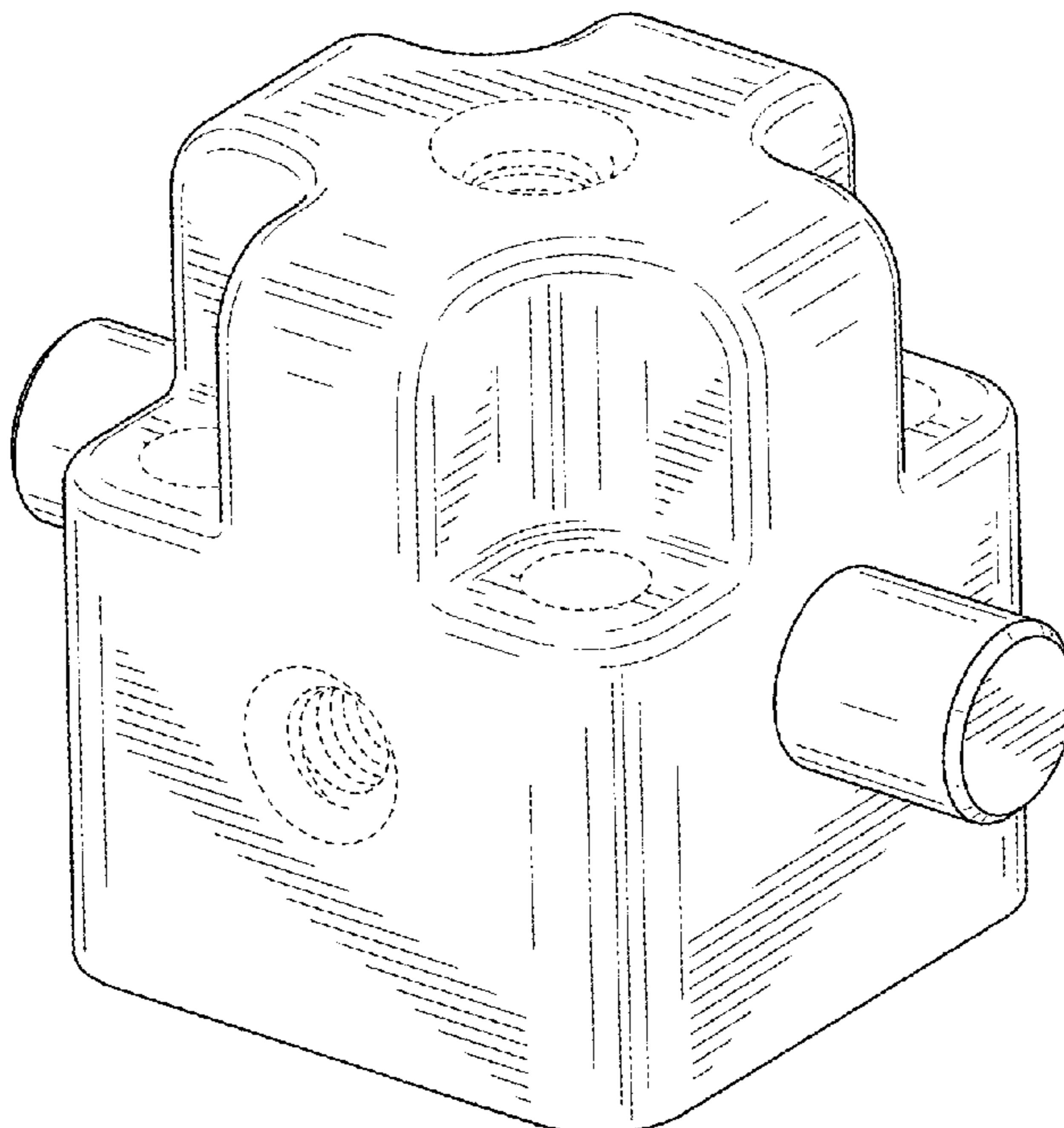
FIG. 9 is yet another perspective view thereof;

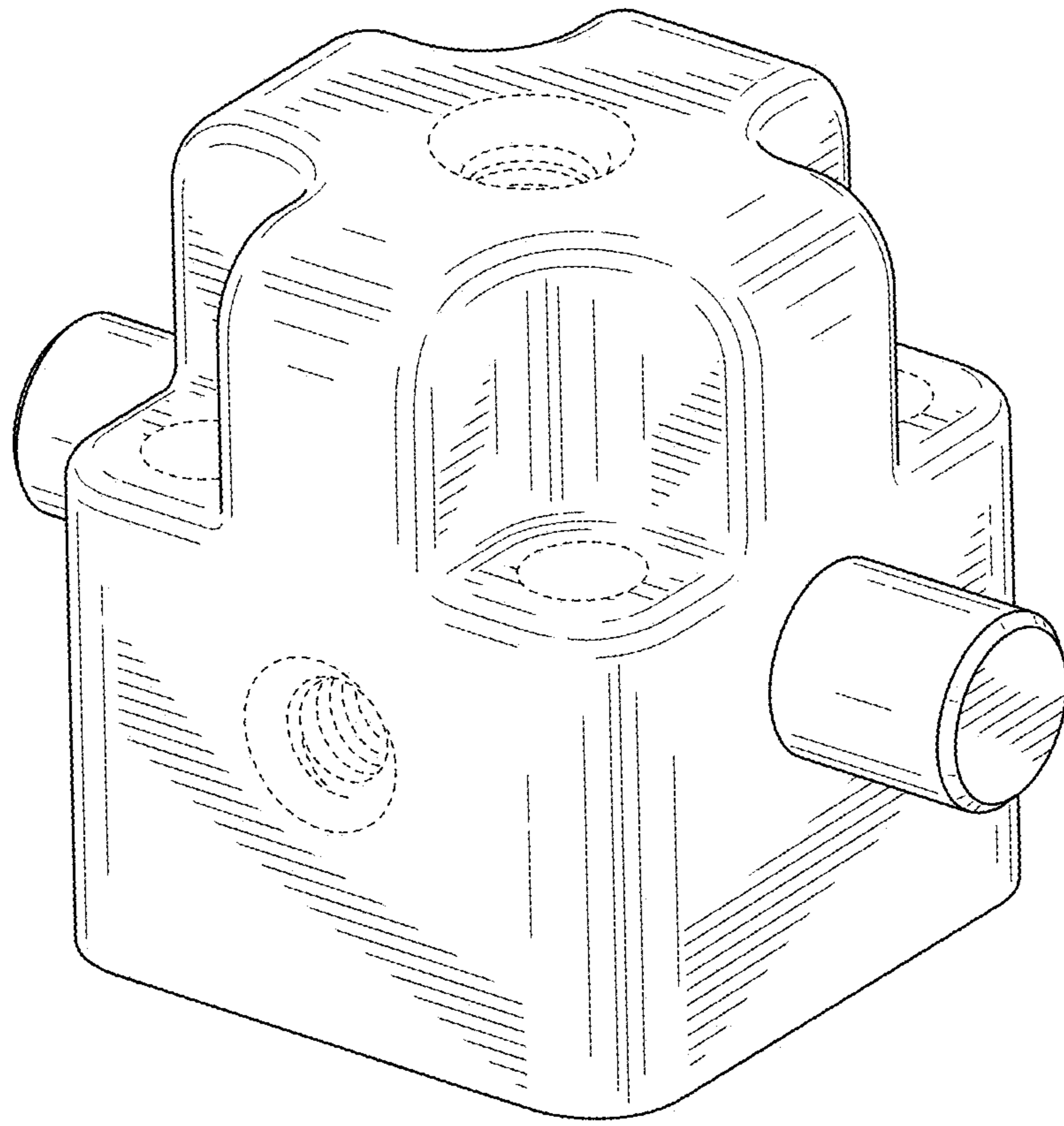
FIG. 10 is a left elevation view thereof; and,

FIG. 11 is another left elevation view thereof, shown in a configuration of with the monitor and a wall bracket.

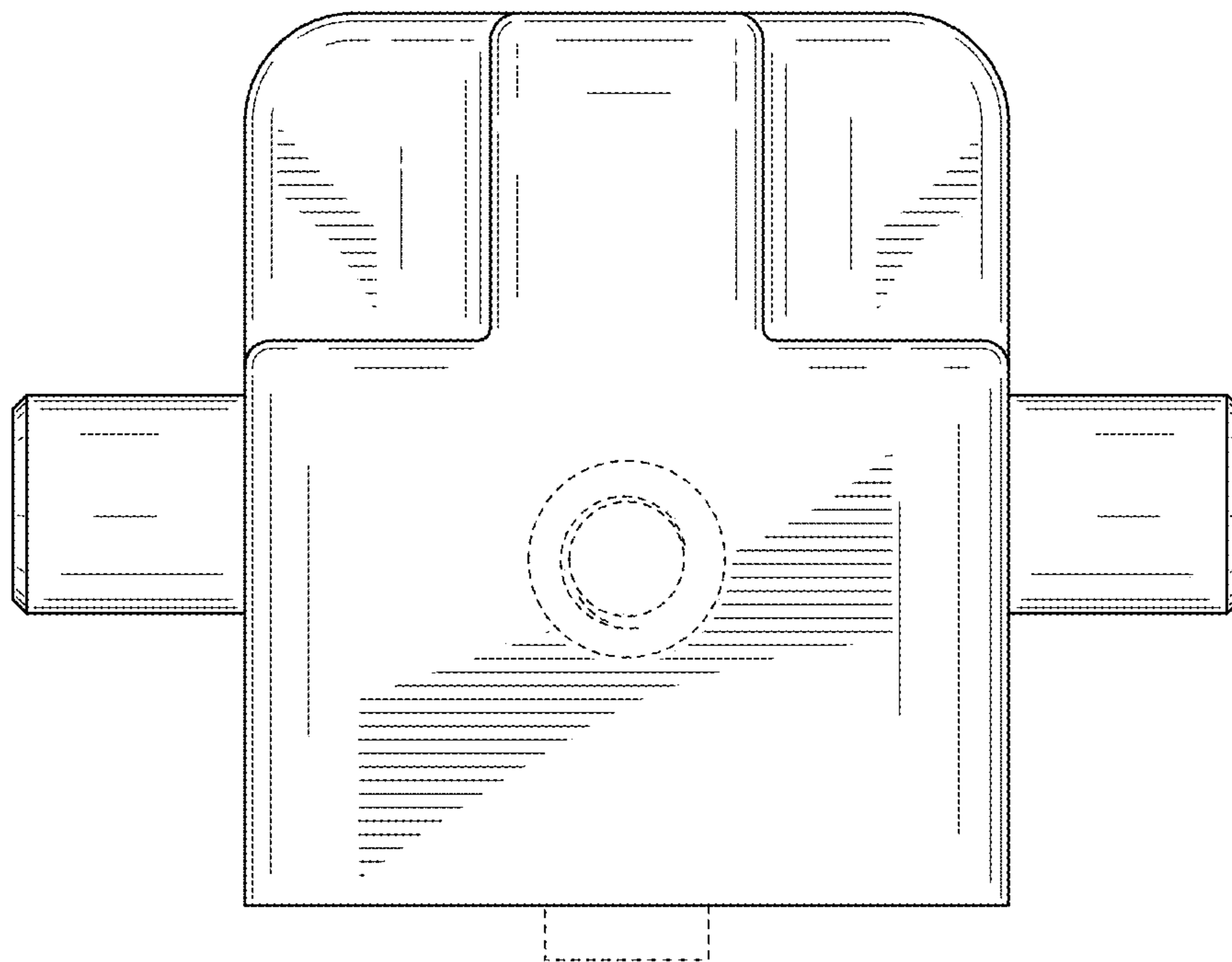
The broken line portion of the figure drawings is included to show unclaimed subject matter only and forms no part of the claimed design.

**1 Claim, 10 Drawing Sheets**

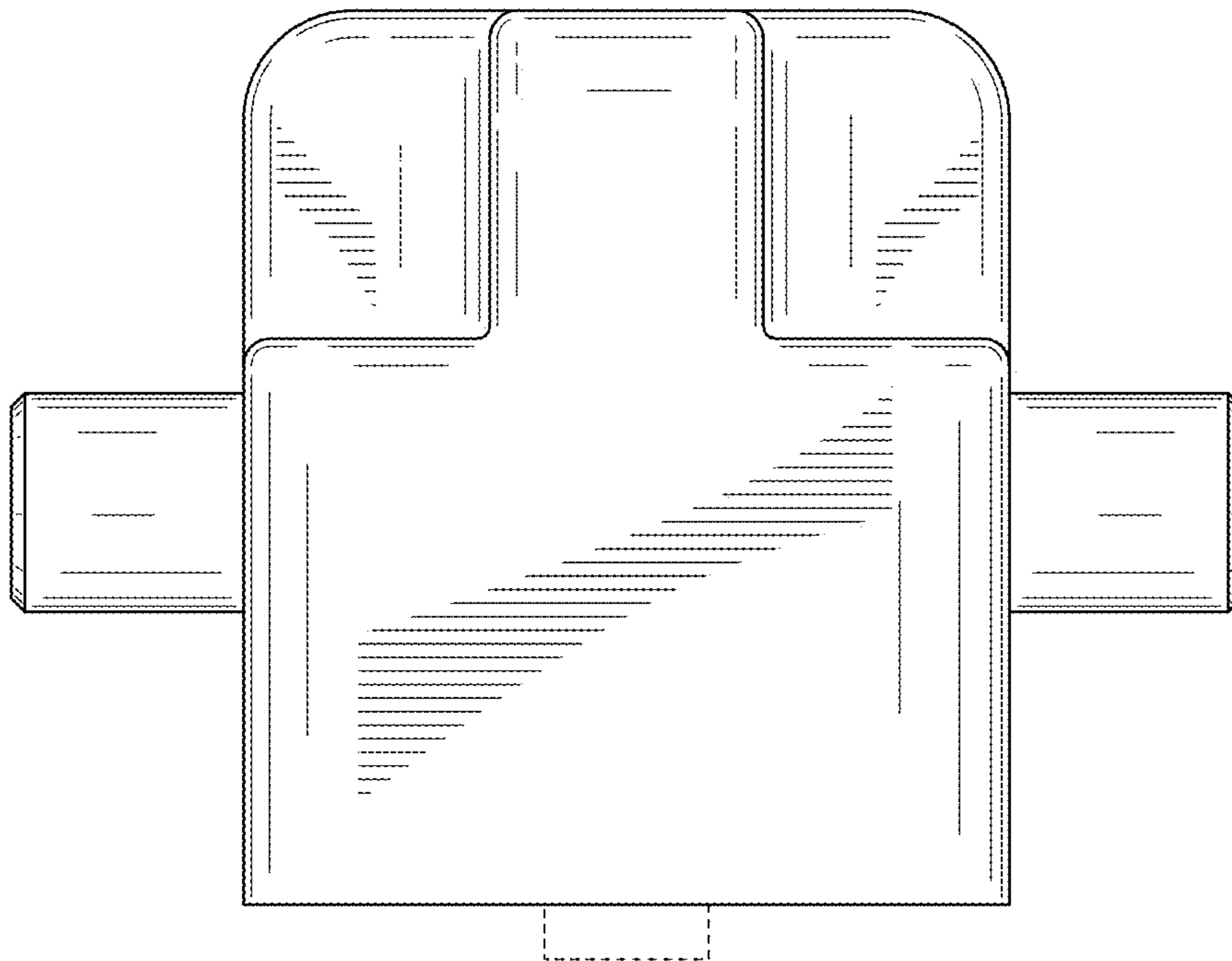




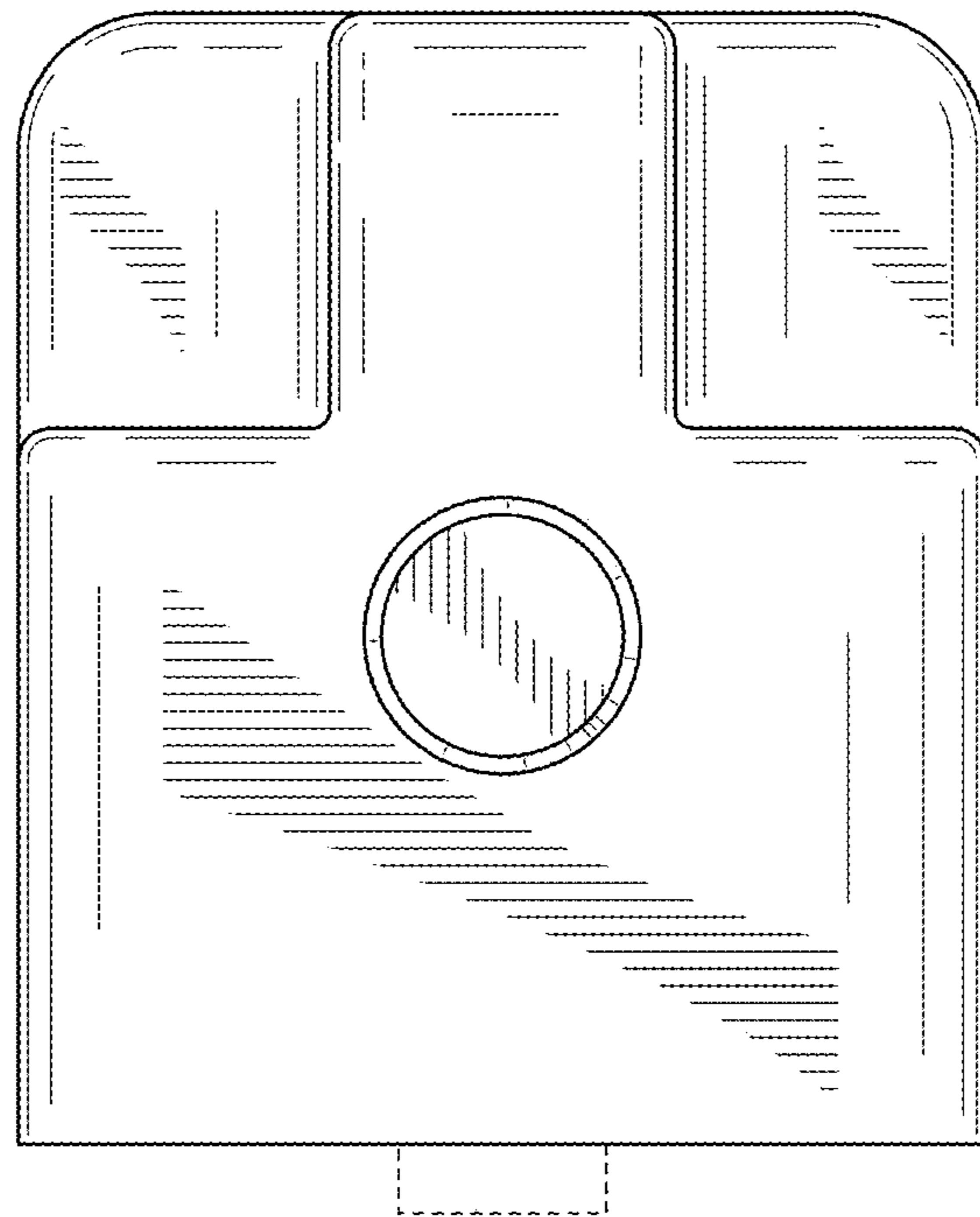
**FIG. 1**



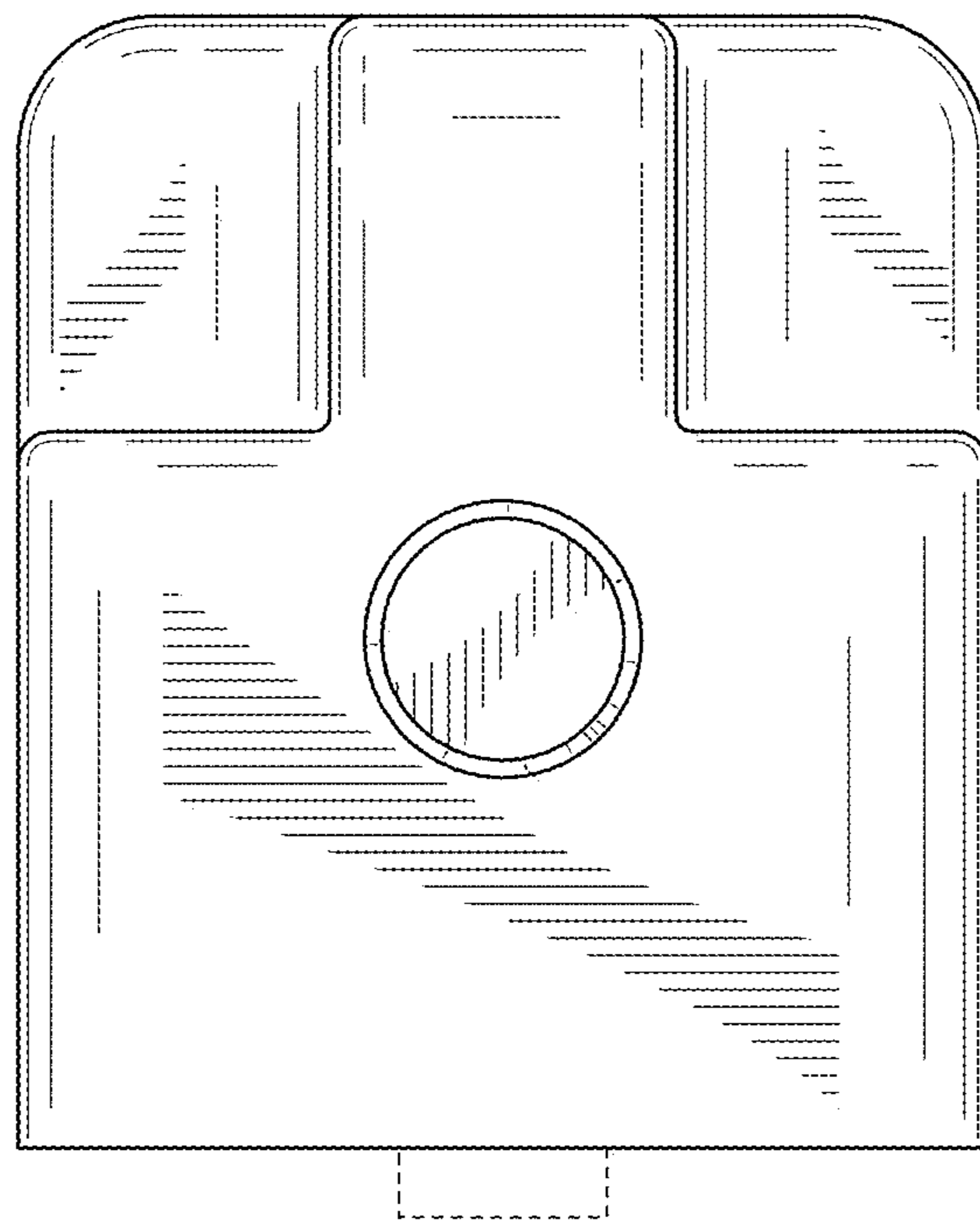
**FIG. 2**



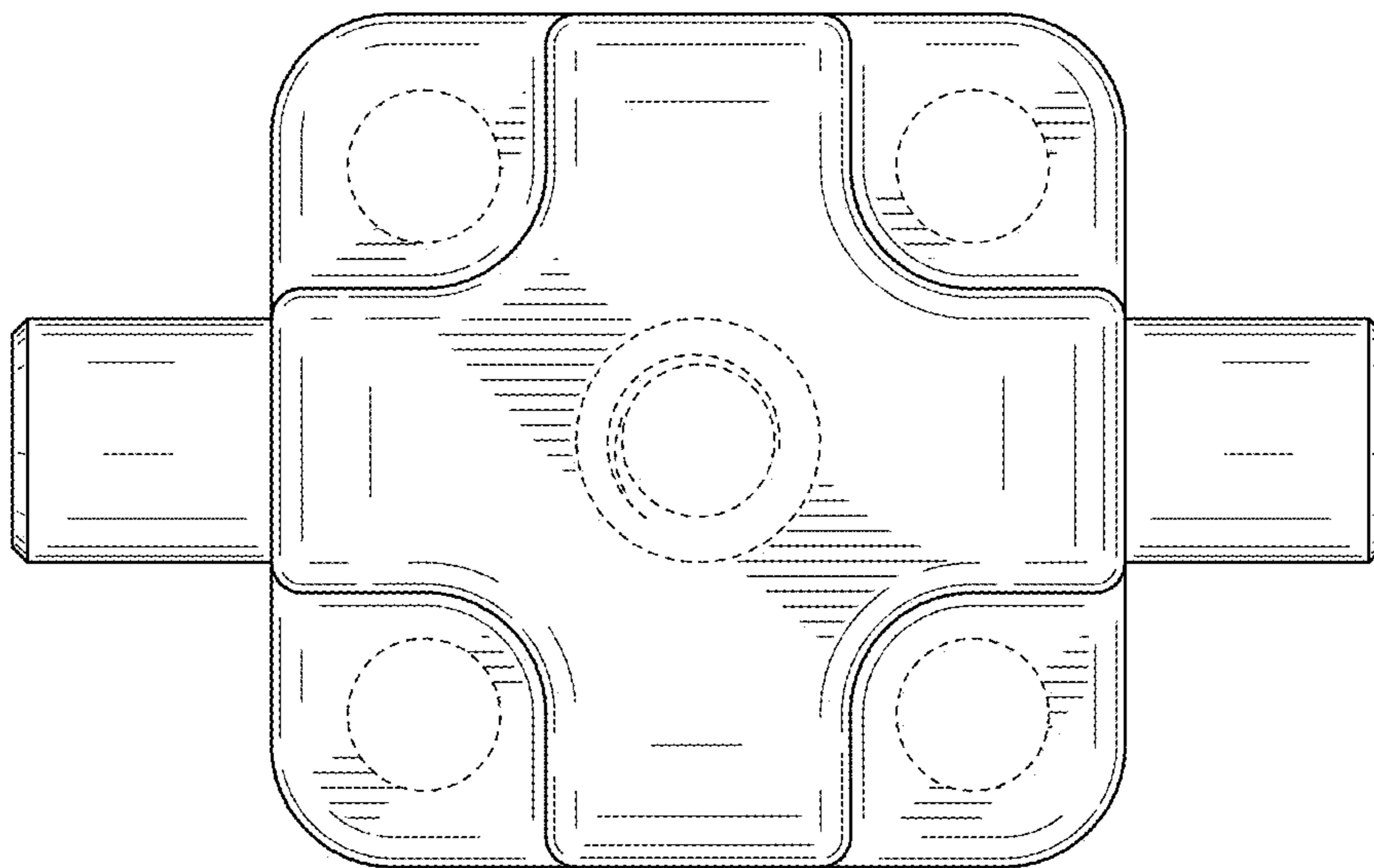
**FIG. 3**



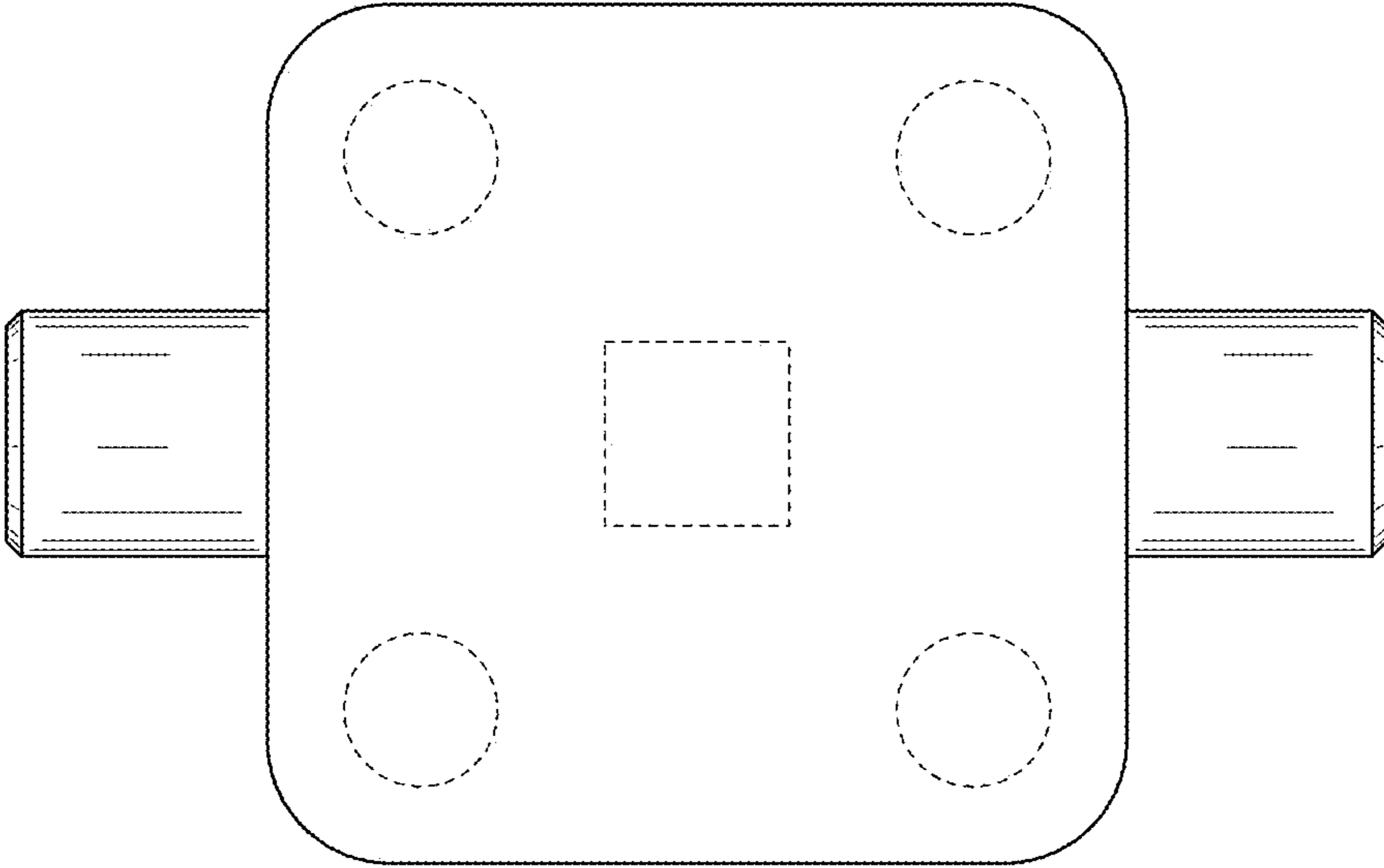
**FIG. 4**



**FIG. 5**



**FIG. 6**



**FIG. 7**



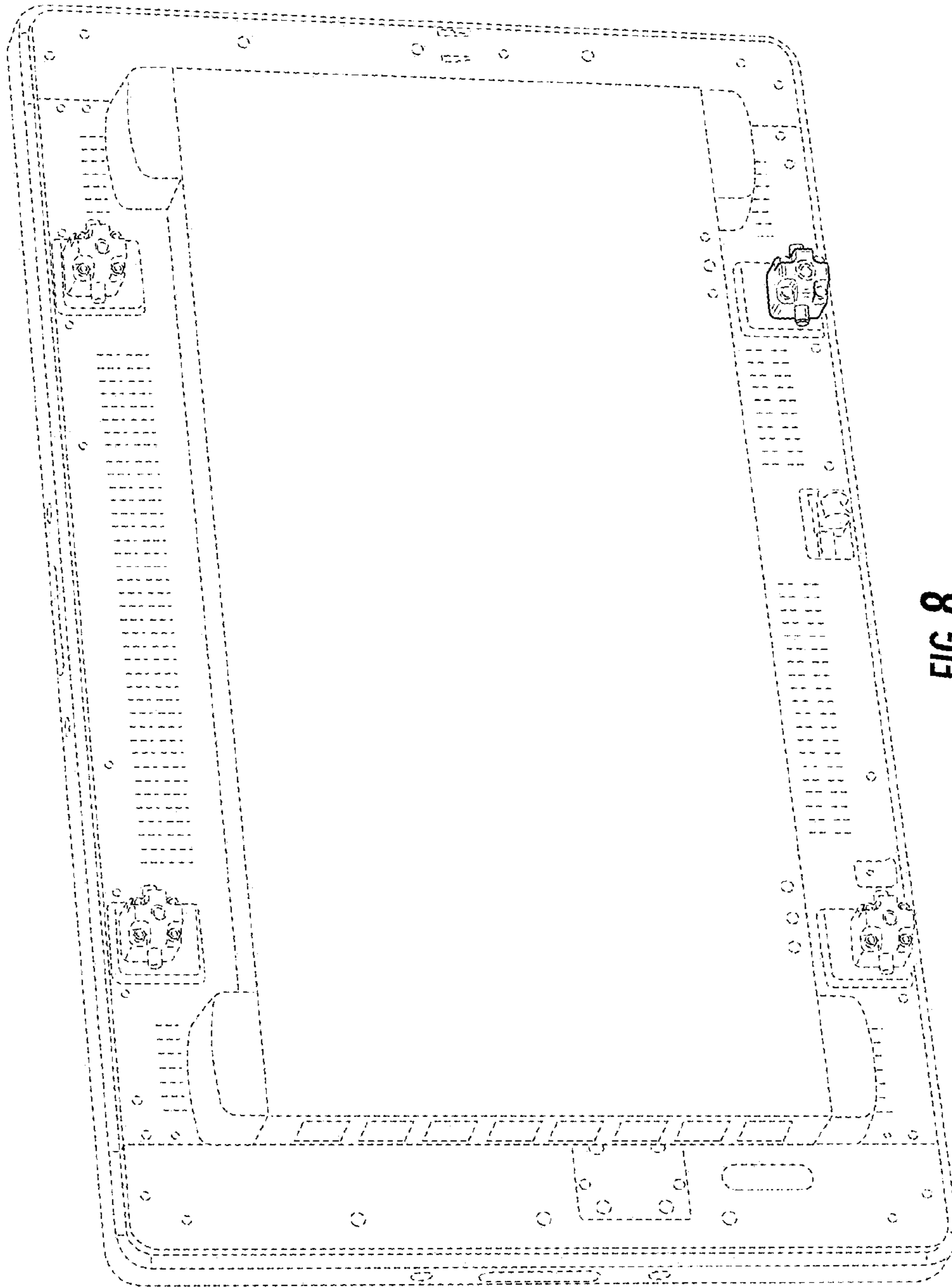


FIG. 8

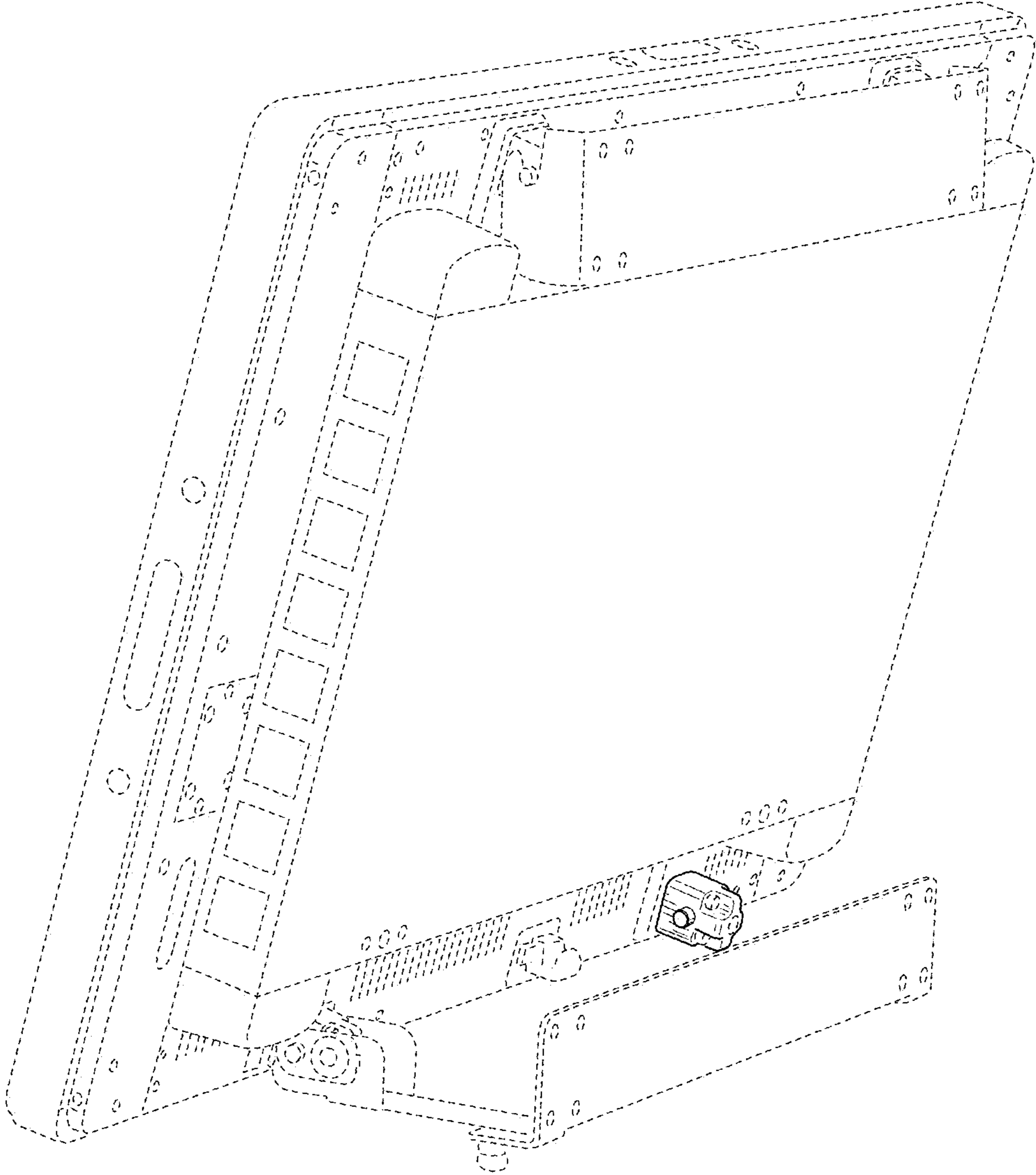
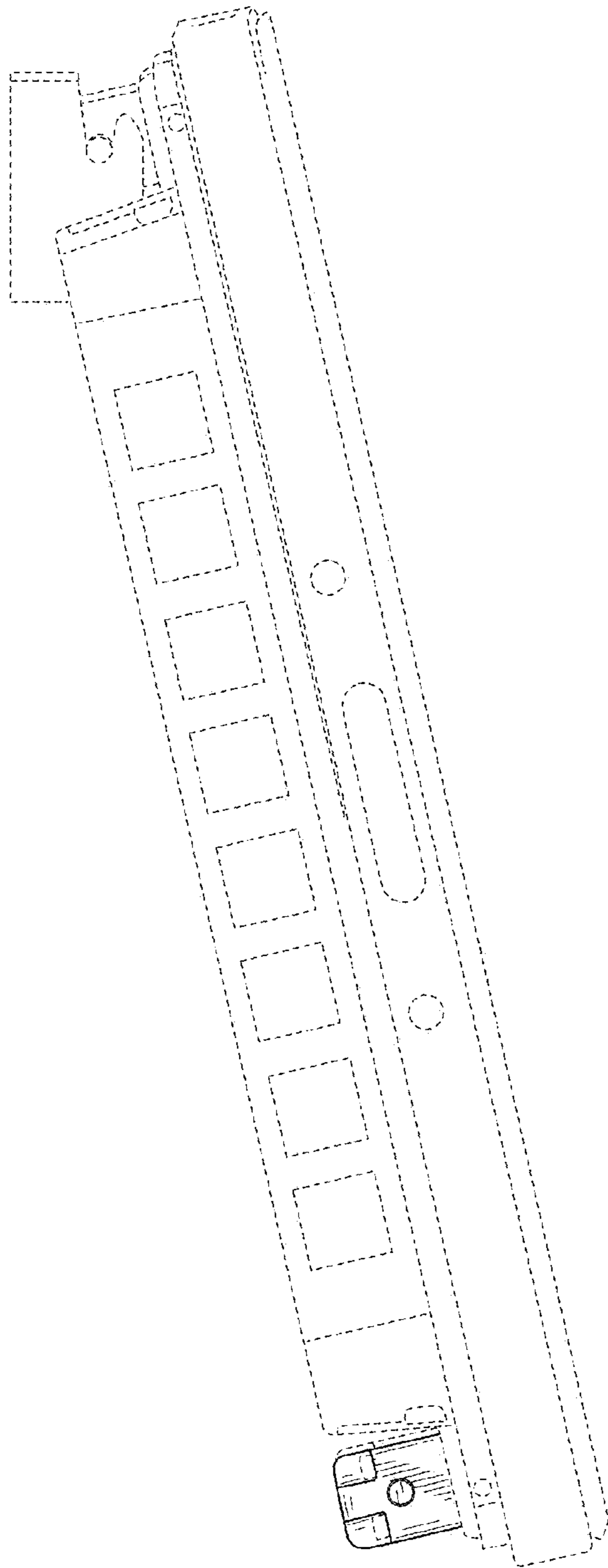
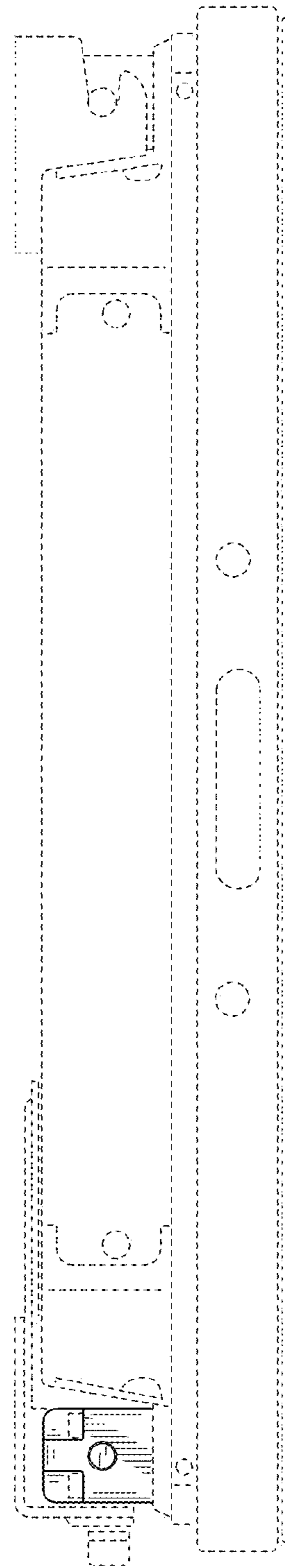


FIG. 9



**FIG. 10**



**FIG. 11**