



US00D742719S

(12) **United States Design Patent**
Komura et al.

(10) **Patent No.:** **US D742,719 S**

(45) **Date of Patent:** **** Nov. 10, 2015**

(54) **FASTENING DEVICE WITH BASE MEMBER**

JP 1478840 9/2013

(71) Applicants: **Masato Komura**, Soja (JP); **Ichiro Awashima**, Soja (JP)

(72) Inventors: **Masato Komura**, Soja (JP); **Ichiro Awashima**, Soja (JP)

(73) Assignee: **OOPARTS, INC.**, Okayama (JP)

(**) Term: **14 Years**

(21) Appl. No.: **29/444,708**

(22) Filed: **Feb. 1, 2013**

(51) **LOC (10) Cl.** **08-08**

(52) **U.S. Cl.**
USPC **D8/349**

(58) **Field of Classification Search**
USPC D8/105, 307, 310, 313, 321, 354, 382,
D8/387; D23/245, 250, 253; D12/223,
D12/400; 33/472, 526, 527
CPC E04F 19/06; E04F 21/18; E04F 21/0092;
B28D 1/225; G01B 3/30; G09F 2017/0066;
G09F 17/00
See application file for complete search history.

(56) **References Cited**

U.S. PATENT DOCUMENTS

D337,934	S	*	8/1993	Young	D8/356
D518,705	S	*	4/2006	Lin	D8/363
7,650,700	B1	*	1/2010	Blankenship	33/527
D611,800	S	*	3/2010	Ghatikar	D8/354
D661,975	S	*	6/2012	Mahaffey et al.	D8/343
D662,807	S	*	7/2012	Waddell et al.	D8/382
D670,553	S	*	11/2012	Mahaffey et al.	D8/343
D673,841	S	*	1/2013	Hirano	D8/382
8,628,049	B2	*	1/2014	Ghatikar	248/201
2013/0067854	A1	*	3/2013	Bordin	52/749.11

FOREIGN PATENT DOCUMENTS

JP	1461551	S	2/2013
JP	1461552	S	2/2013
JP	1478839	S	9/2013

OTHER PUBLICATIONS

ATR Tile Leveling System, dated Jun. 25, 2013, [online], [site visited Apr. 29, 2015]. Available from Internet, <URL: <http://web.archive.org/web/20130625043829/http://a2zsell.com/shop/atr-tile-leveling-system-diy-kit>>.*

* cited by examiner

Primary Examiner — Thomas Johannes

Assistant Examiner — Shawn T Gingrich

(74) *Attorney, Agent, or Firm* — Trojan Law Offices

(57) **CLAIM**

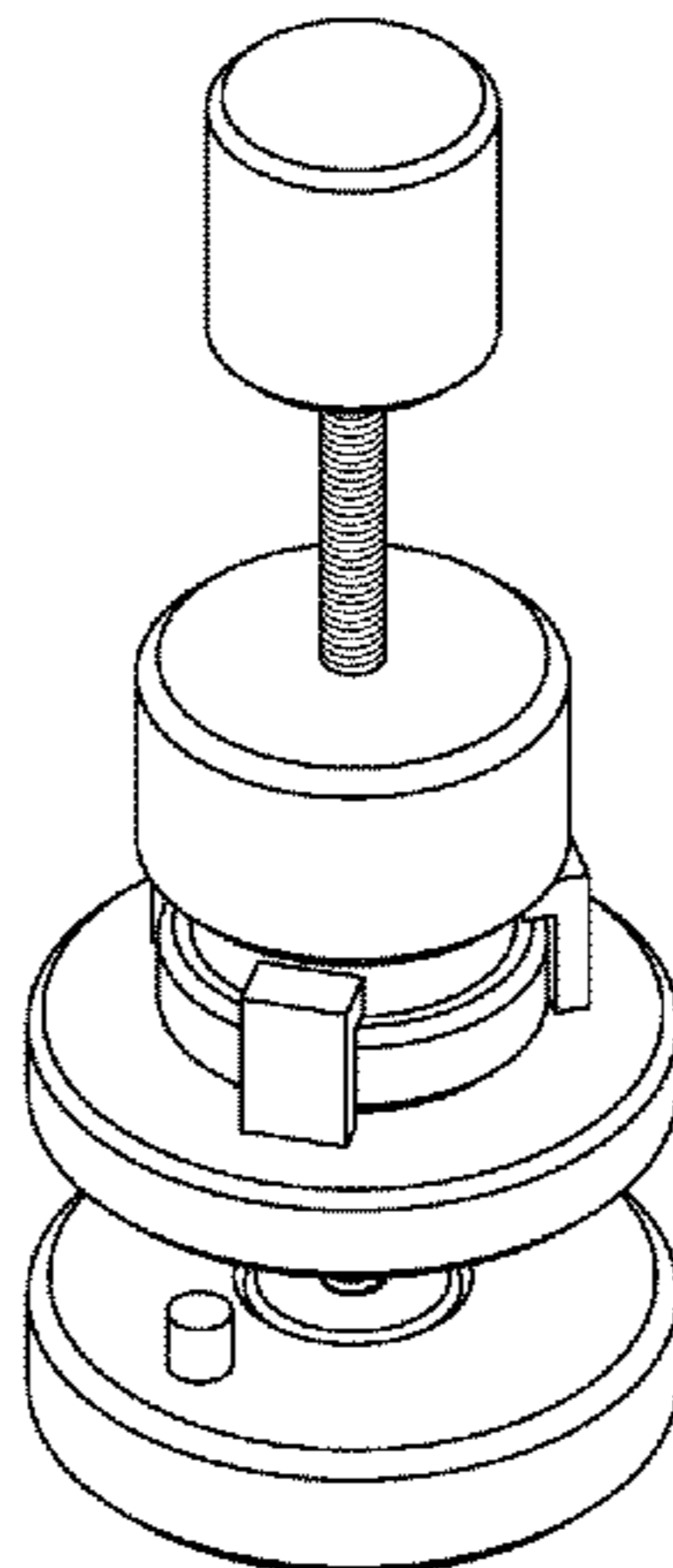
The ornamental design for a fastening device with base member, as shown and described.

DESCRIPTION

FIG. 1 is a front view of the fastening device with base member according to the present design;
 FIG. 2 is a right side view thereof;
 FIG. 3 is a left side view thereof;
 FIG. 4 is a plan view thereof;
 FIG. 5 is a bottom view thereof;
 FIG. 6 is a rear view;
 FIG. 7 is a perspective view thereof;
 FIG. 8 is a cross sectional view thereof taken along line 8-8 of FIG. 6;
 FIG. 9 is a top view of the base member thereof shown separately for illustrative clarity;
 FIG. 10 is a perspective view of the base member thereof shown separately for illustrative clarity;
 FIG. 11 is a cross sectional view of the base member thereof taken along line 11-11 of FIG. 9 shown separately for illustrative clarity; and,
 FIG. 12 is a left side view shown in an environment of use thereof.

The broken lines in the figure drawings are included to show portions of the article which form no part of the claimed design.

1 Claim, 6 Drawing Sheets



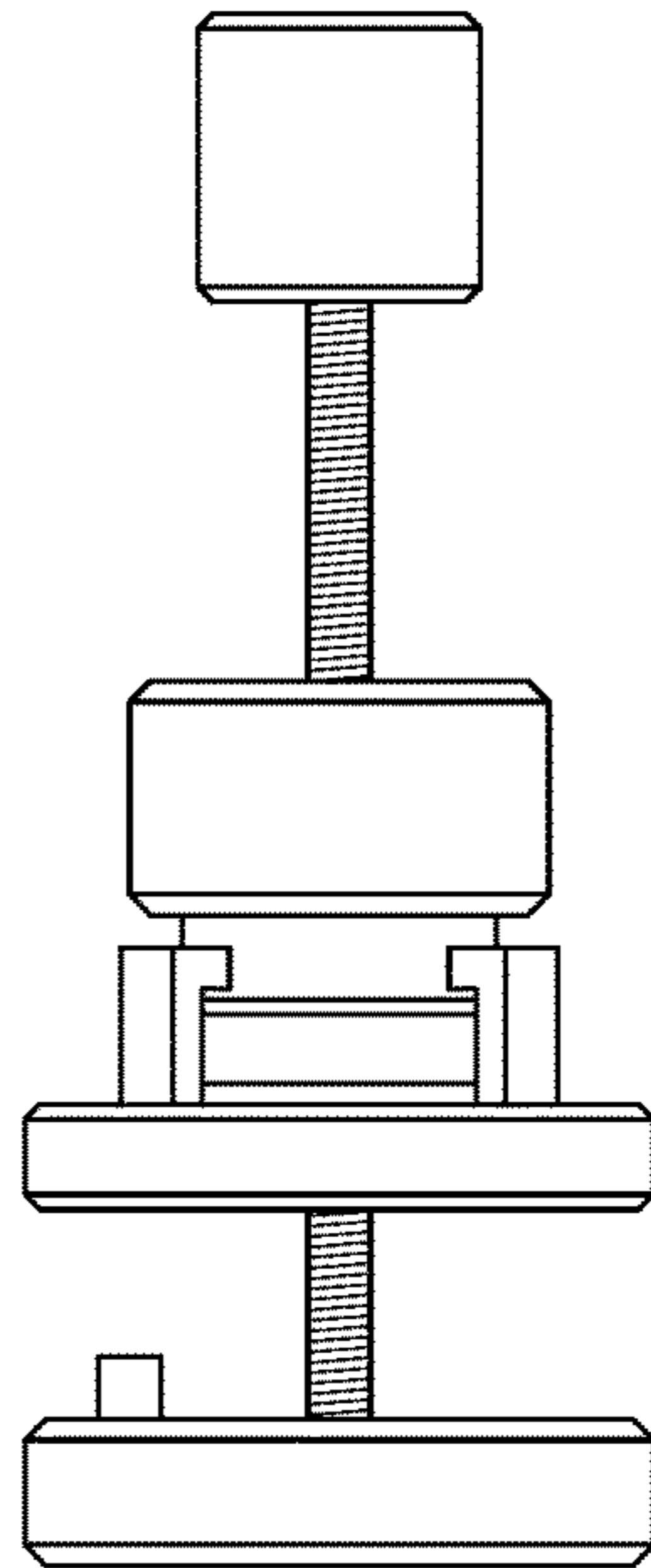


Fig.1

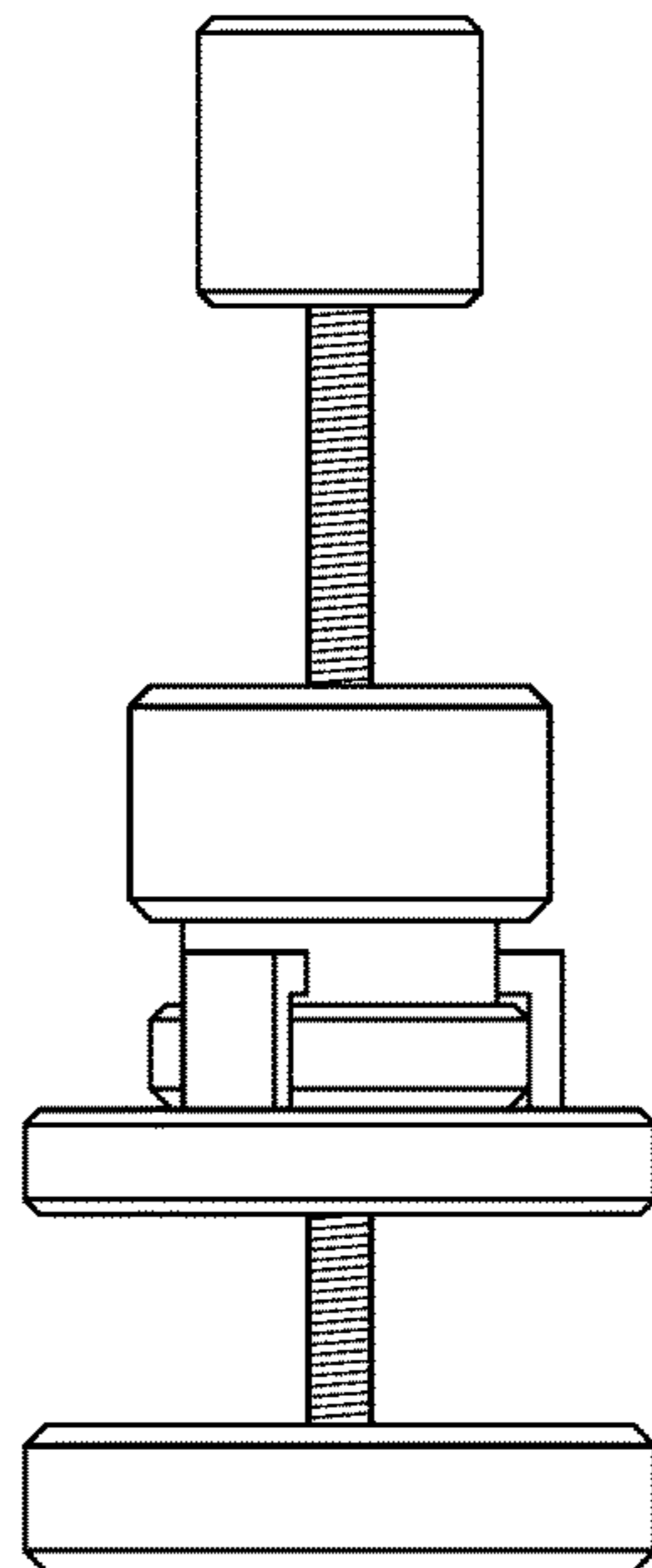


Fig.2

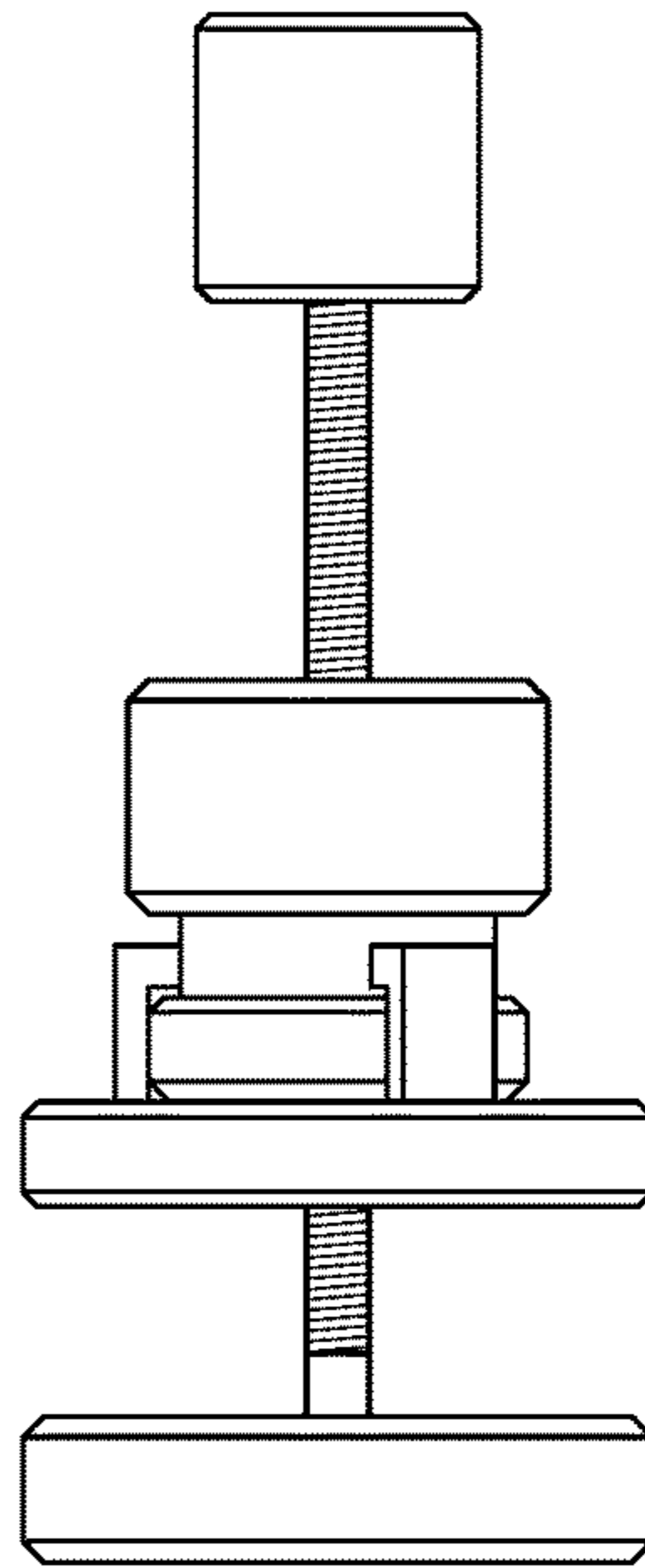


Fig.3

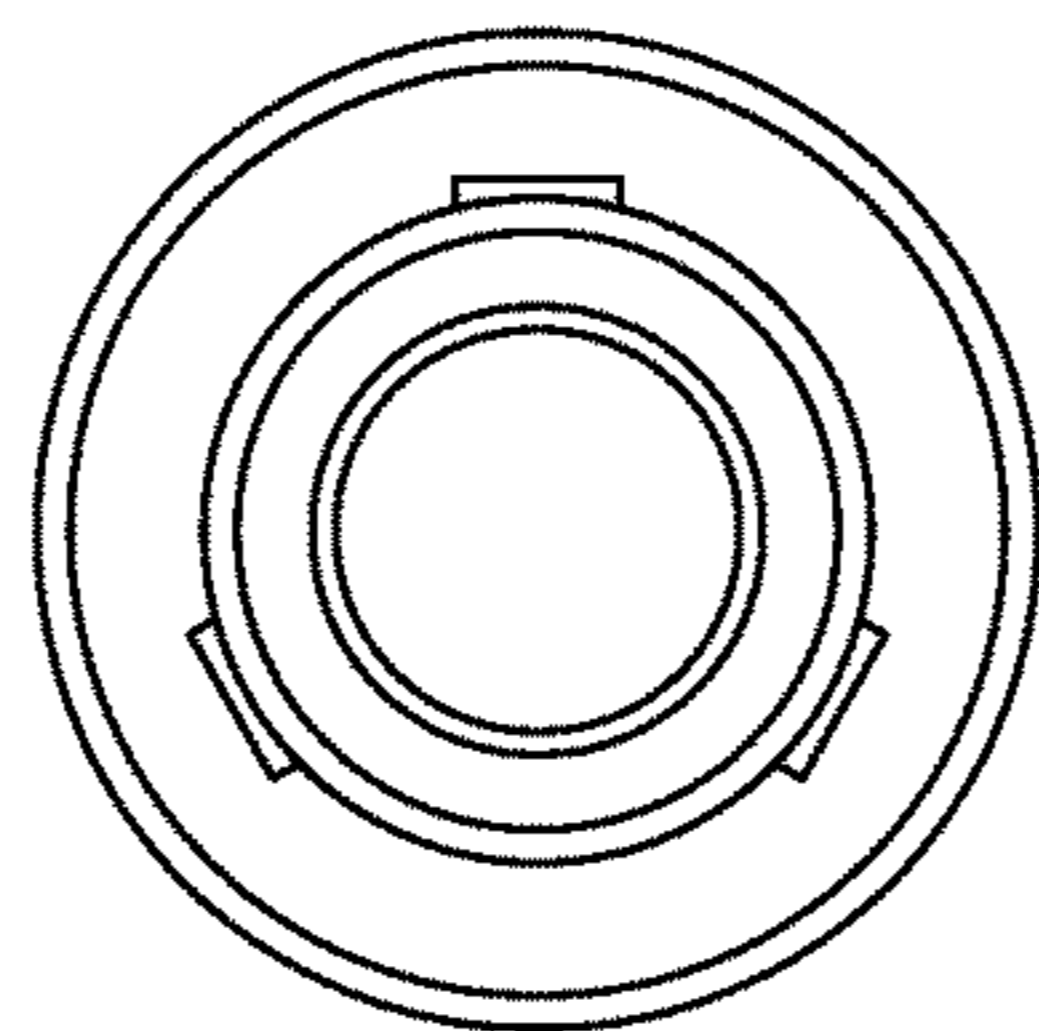


Fig.4

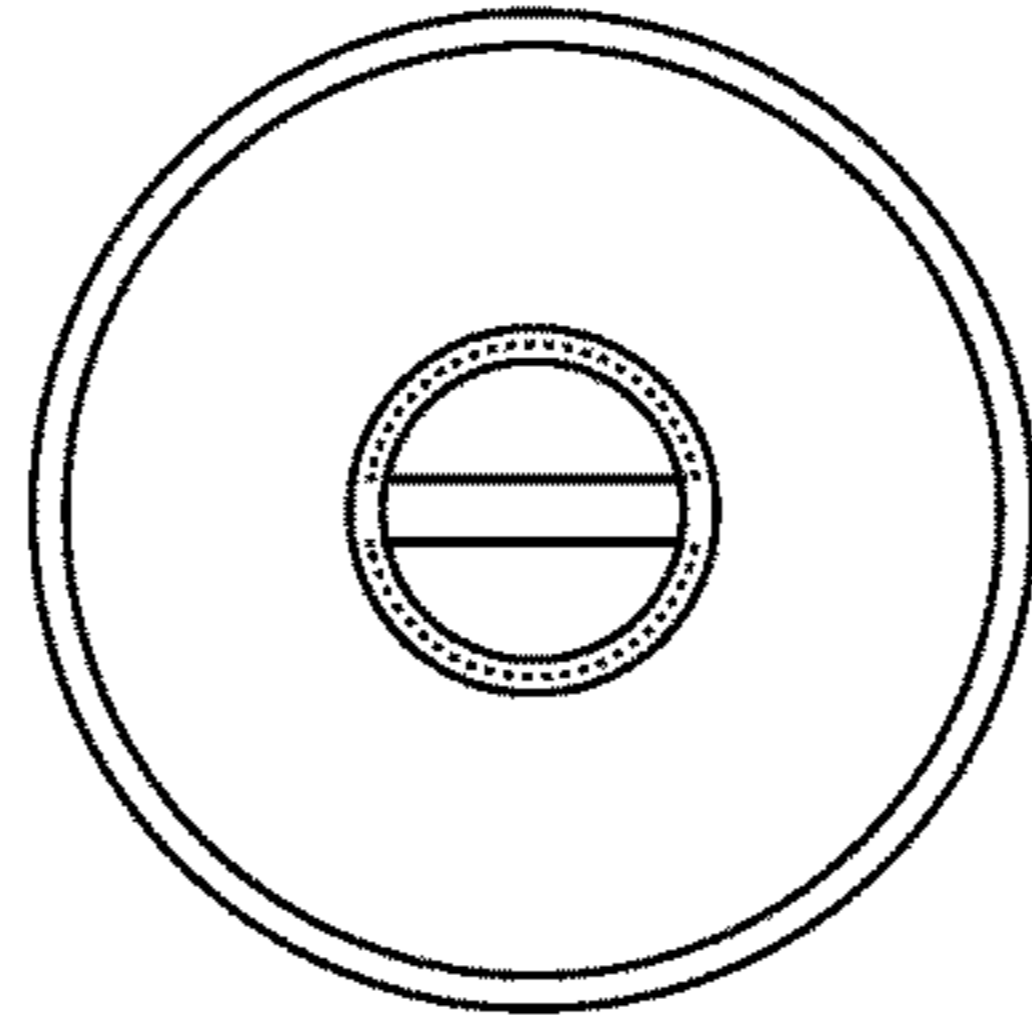


Fig.5

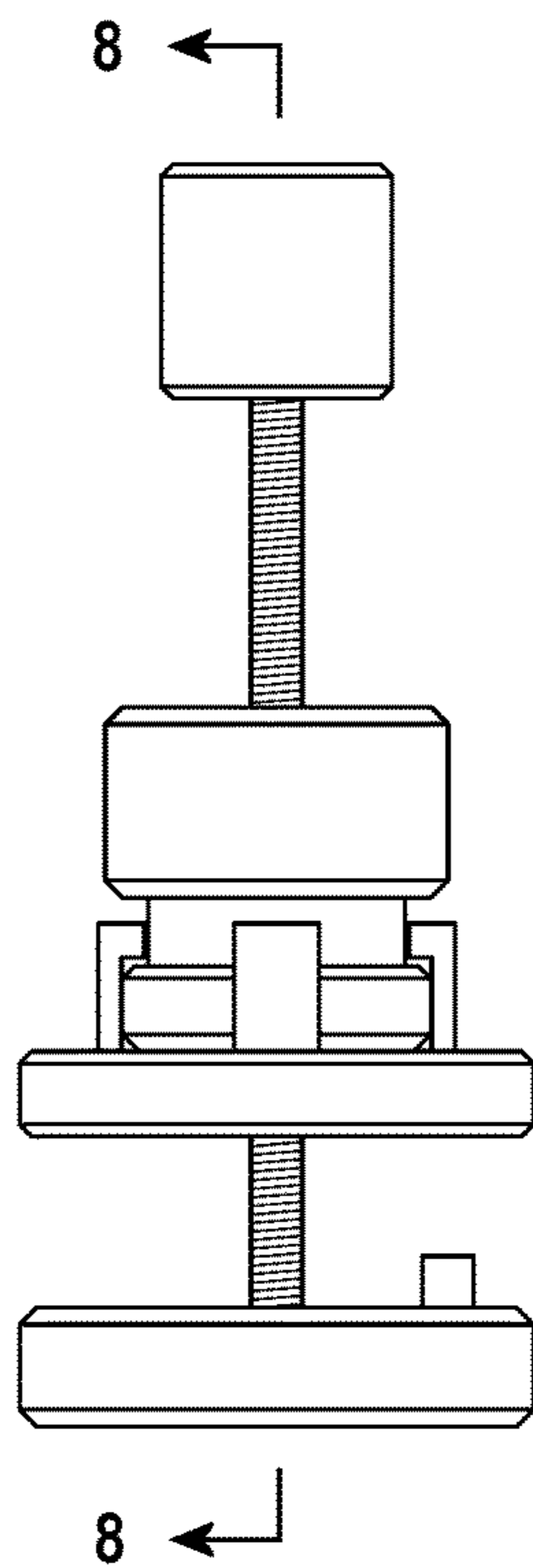


Fig.6

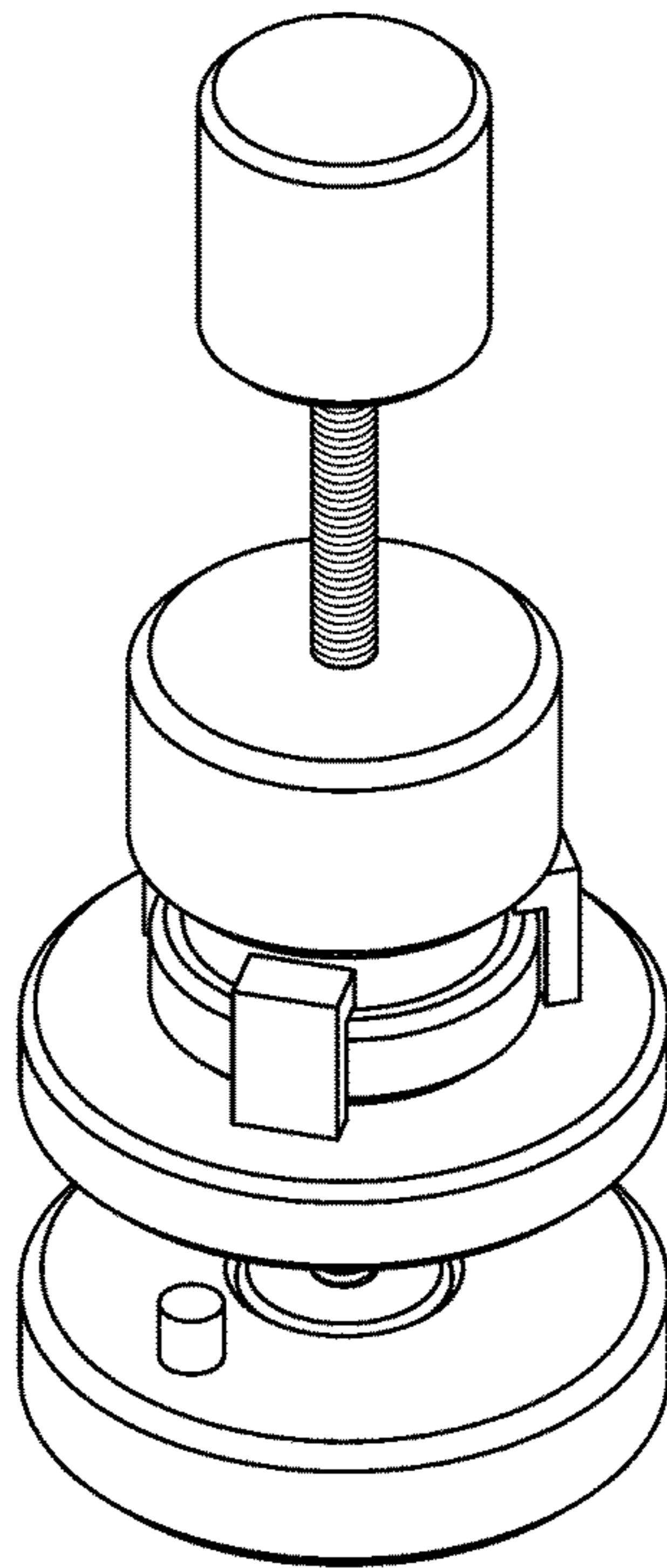


Fig.7

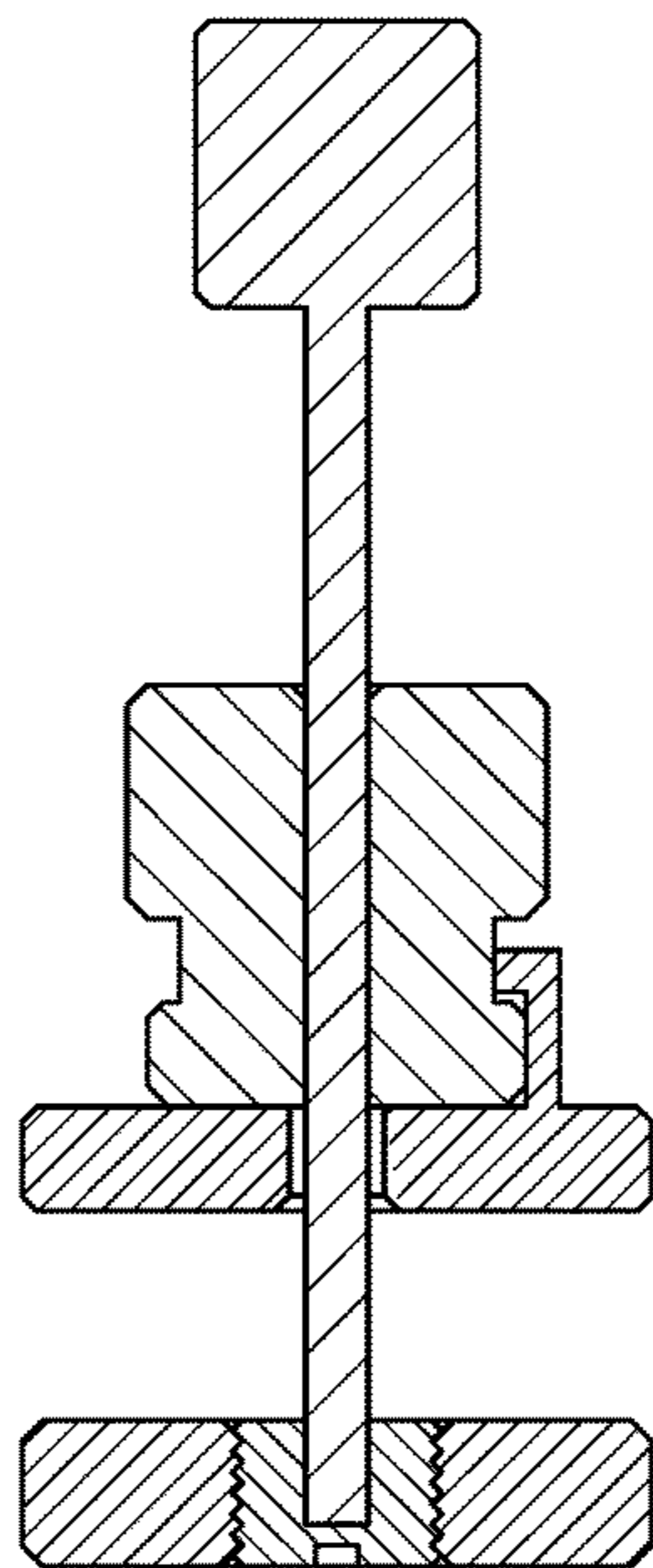


Fig.8

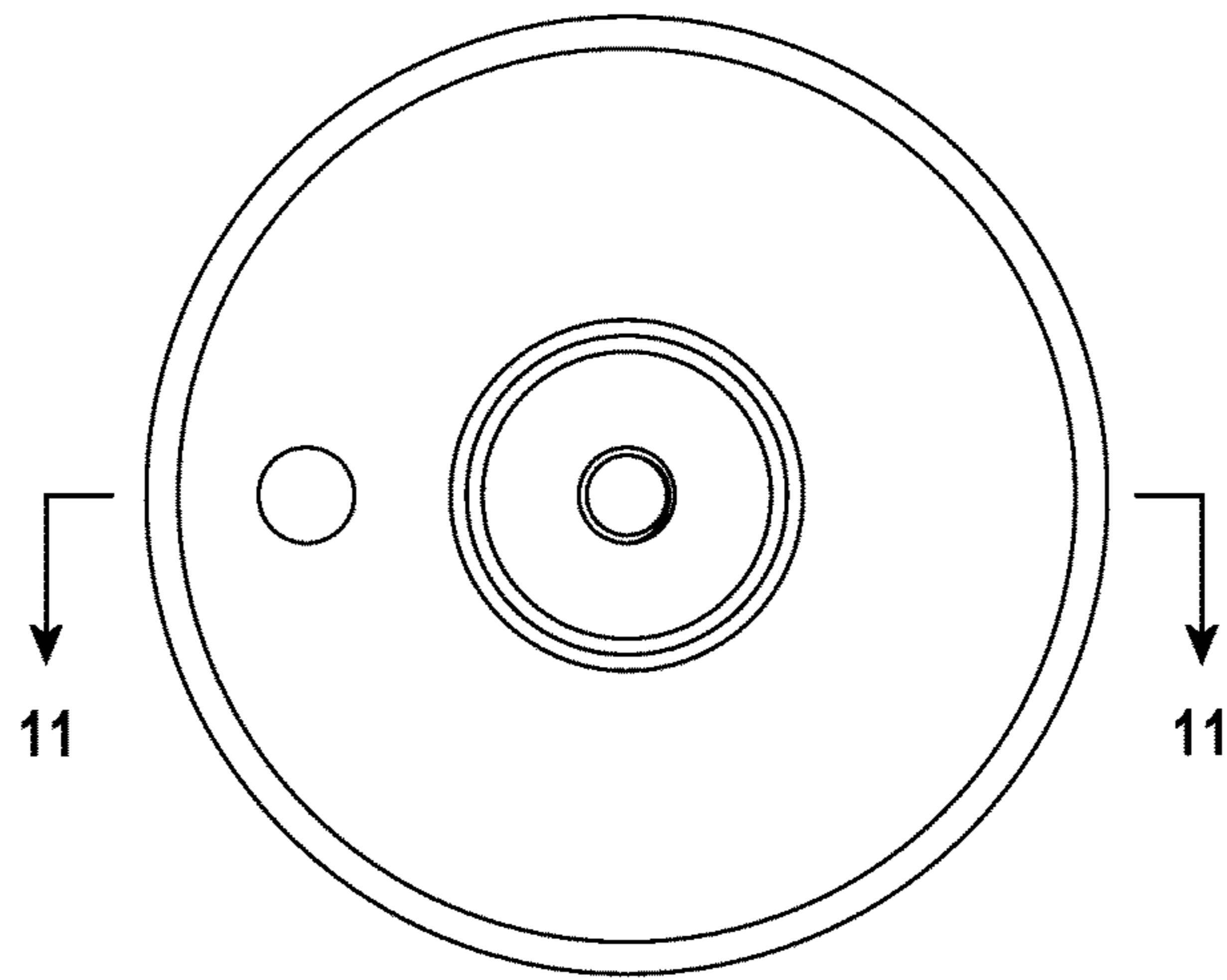


Fig.9

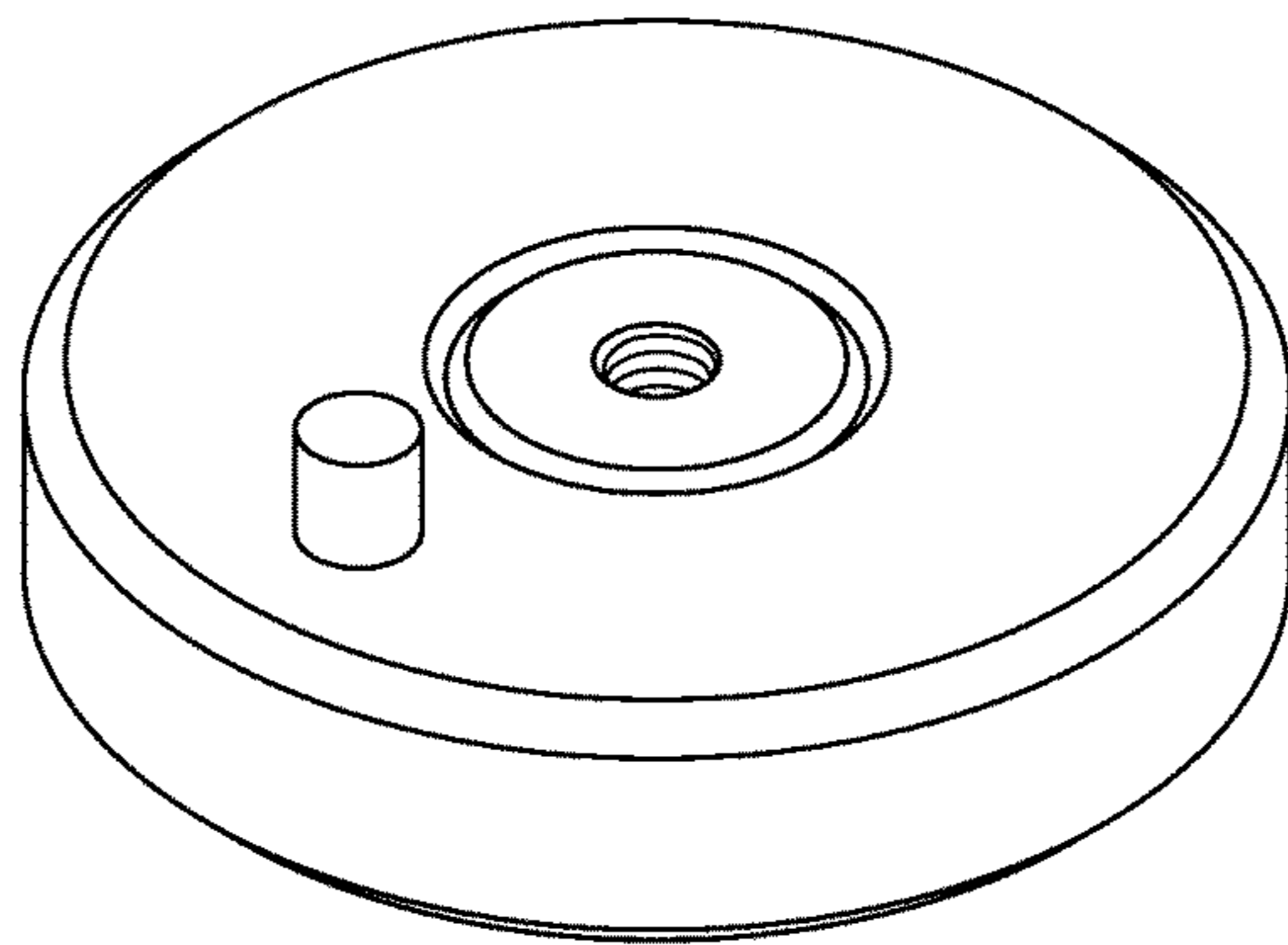


Fig.10

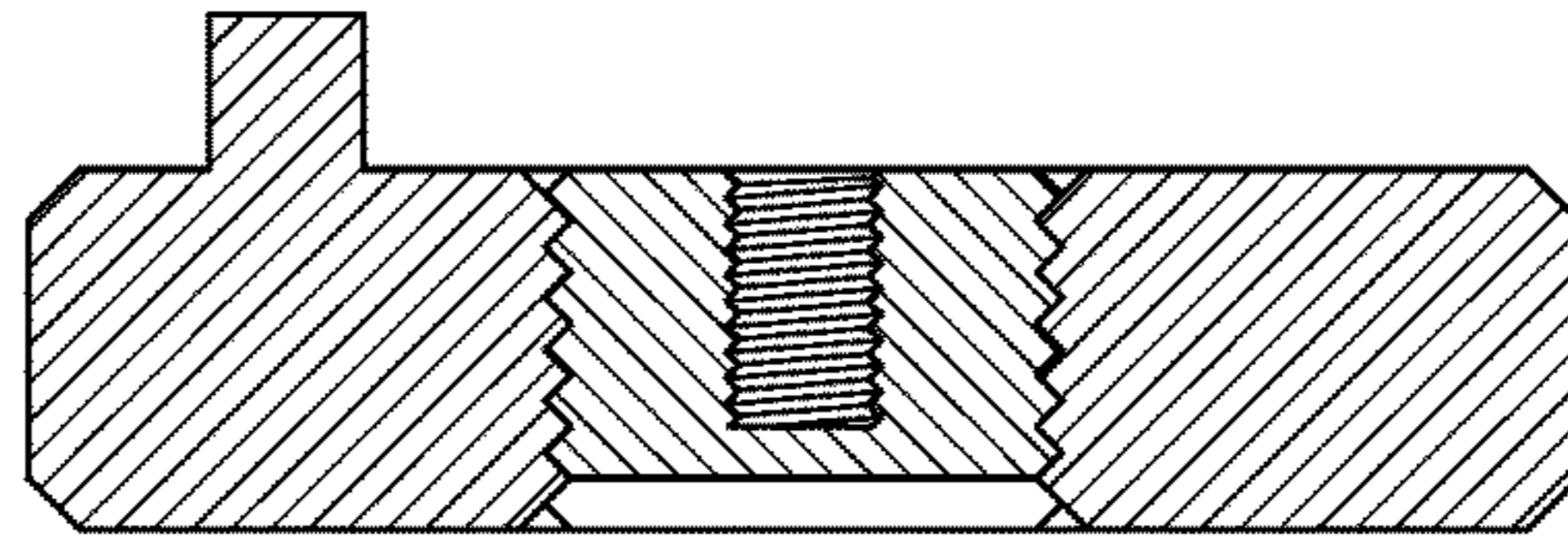


Fig.11

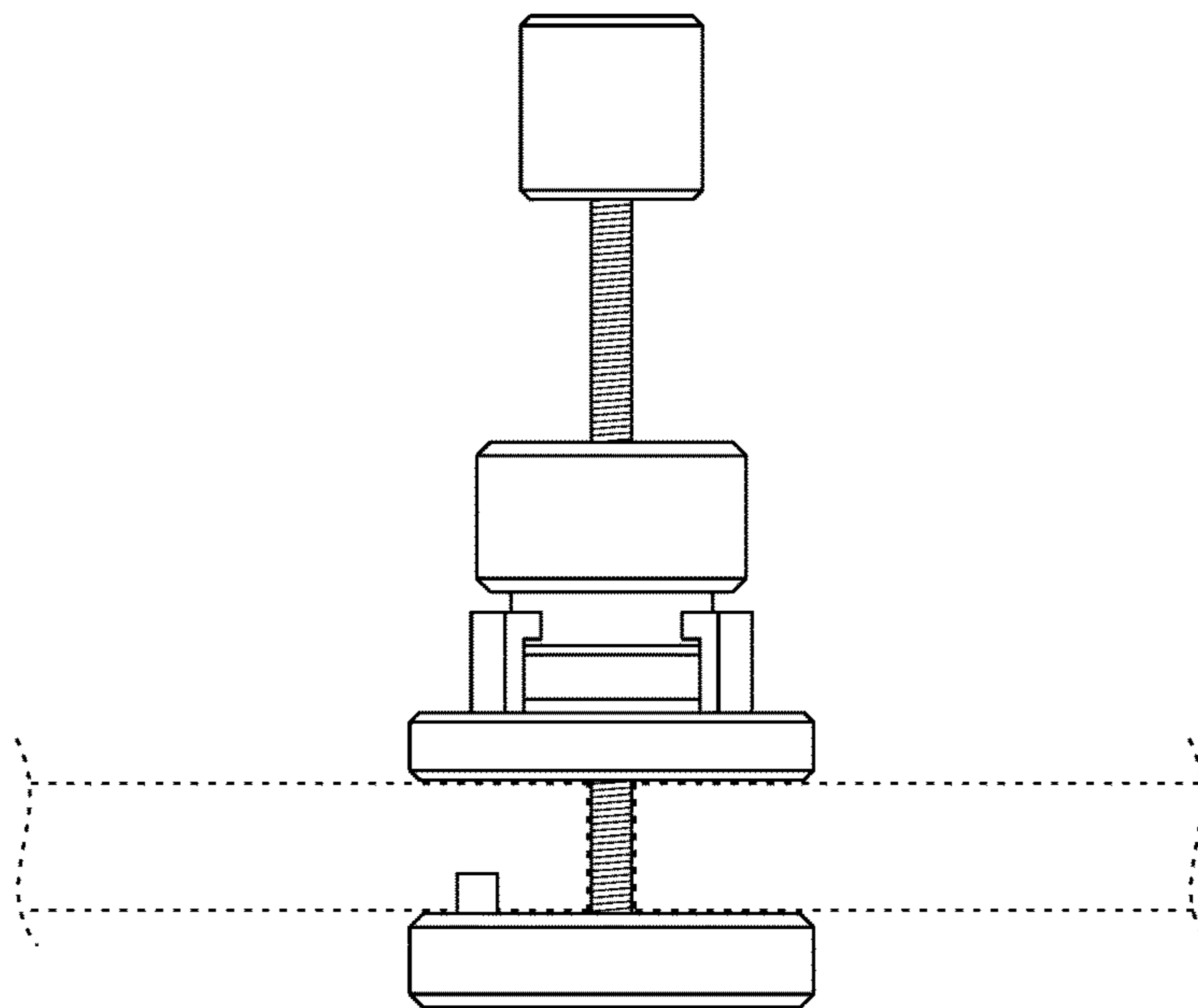


Fig.12