



US00D742718S

(12) **United States Design Patent**
Bouthillier

(10) **Patent No.:** **US D742,718 S**

(45) **Date of Patent:** **** Nov. 10, 2015**

(54) **SUPPORT DEVICE FOR TOP-HUNG DOOR**

(75) Inventor: **Serge Bouthillier**, Ste-Marthe-sur-le-Lac (CA)

(73) Assignee: **GROUP VFG INC.** (CA)

(**) Term: **14 Years**

(21) Appl. No.: **29/427,772**

(22) Filed: **Jul. 23, 2012**

(51) **LOC (10) Cl.** **08-05**

(52) **U.S. Cl.**
USPC **D8/349**

(58) **Field of Classification Search**
USPC D8/301, 302, 330, 349, 350, 353, 354, D8/355, 356, 359, 366, 367, 373, 374, D8/394; 248/200, 220.2, 229, 271, 300, 248/339, 488, 489; D12/114, 220, 223; 280/502, 507, 511; D6/300, 515, 550, D6/553, 570, 580

See application file for complete search history.

(56) **References Cited**

U.S. PATENT DOCUMENTS

D239,085	S	*	3/1976	Fairfield et al.	D8/356
D298,510	S	*	11/1988	Marsh	D8/394
D333,085	S	*	2/1993	Thomsen	D8/373
5,255,885	A	*	10/1993	Iversen	248/489
D357,400	S	*	4/1995	Sachs	D8/356
D360,127	S	*	7/1995	Stiner	D8/367
D386,067	S	*	11/1997	Hamerski et al.	D8/373
D390,769	S	*	2/1998	Hankel et al.	D8/330
D398,833	S	*	9/1998	Hammar	D8/349
D409,895	S	*	5/1999	Schron et al.	D8/349
D411,096	S	*	6/1999	Gordin et al.	D8/349
D465,188	S	*	11/2002	McCoy et al.	D12/223

D477,269	S	*	7/2003	McCoy et al.	D12/223
D554,982	S	*	11/2007	Wenck	D8/376
D565,389	S	*	4/2008	Harmon	D8/356
D635,445	S	*	4/2011	Foresman	D8/354
D645,727	S	*	9/2011	Bergmann	D8/350
D662,102	S	*	6/2012	Derry et al.	D14/452

* cited by examiner

Primary Examiner — Eric Goodman

Assistant Examiner — Bao-Yen Nguyen

(74) *Attorney, Agent, or Firm* — Cantor Colburn LLP

(57) **CLAIM**

We claim, the ornamental design for a support device for top-hung door, as shown and described.

DESCRIPTION

FIG. 1 is a perspective view of a support device for top-hung door showing the design in a position of use;

FIG. 2 is a perspective view of the support device for top-hung door of FIG. 1;

FIG. 3 is a front view of the support device for top-hung door of FIG. 1;

FIG. 4 is a rear view of the support device for top-hung door of FIG. 1;

FIG. 5 is a side view of the support device for top-hung door of FIG. 1, the opposite side view being a mirror image thereof;

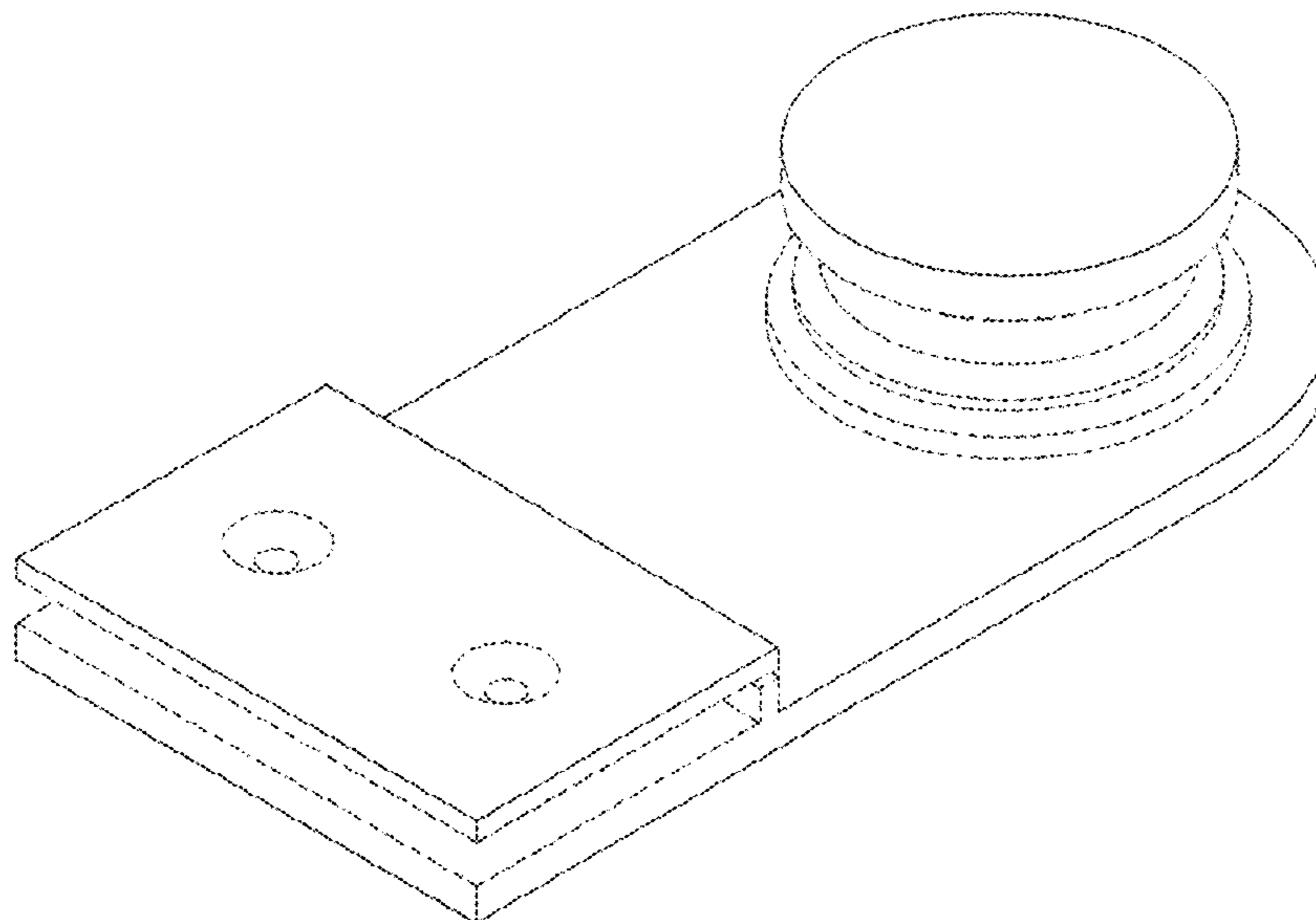
FIG. 6 is a top view of the support device for top-hung door of FIG. 1; and,

FIG. 7 is a bottom view of the support device for top-hung door of FIG. 1.

The broken-lines shown in FIG. 1 depict environment of use, which forms no part of the claimed design.

The broken-lines shown in FIGS. 2-7 represent portions of the support device for top-hung door that form no part of the claimed design.

1 Claim, 7 Drawing Sheets



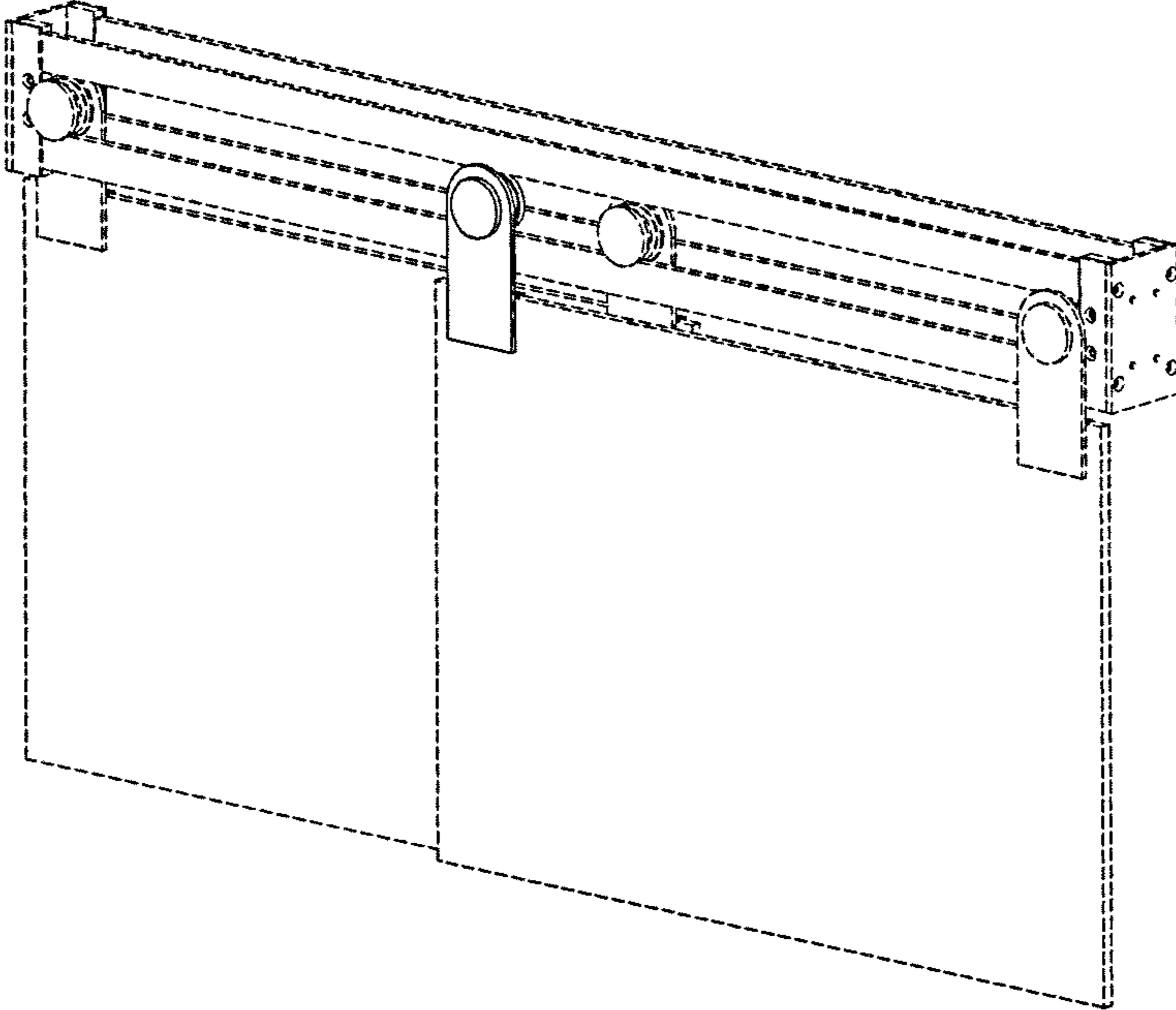


Fig. 1

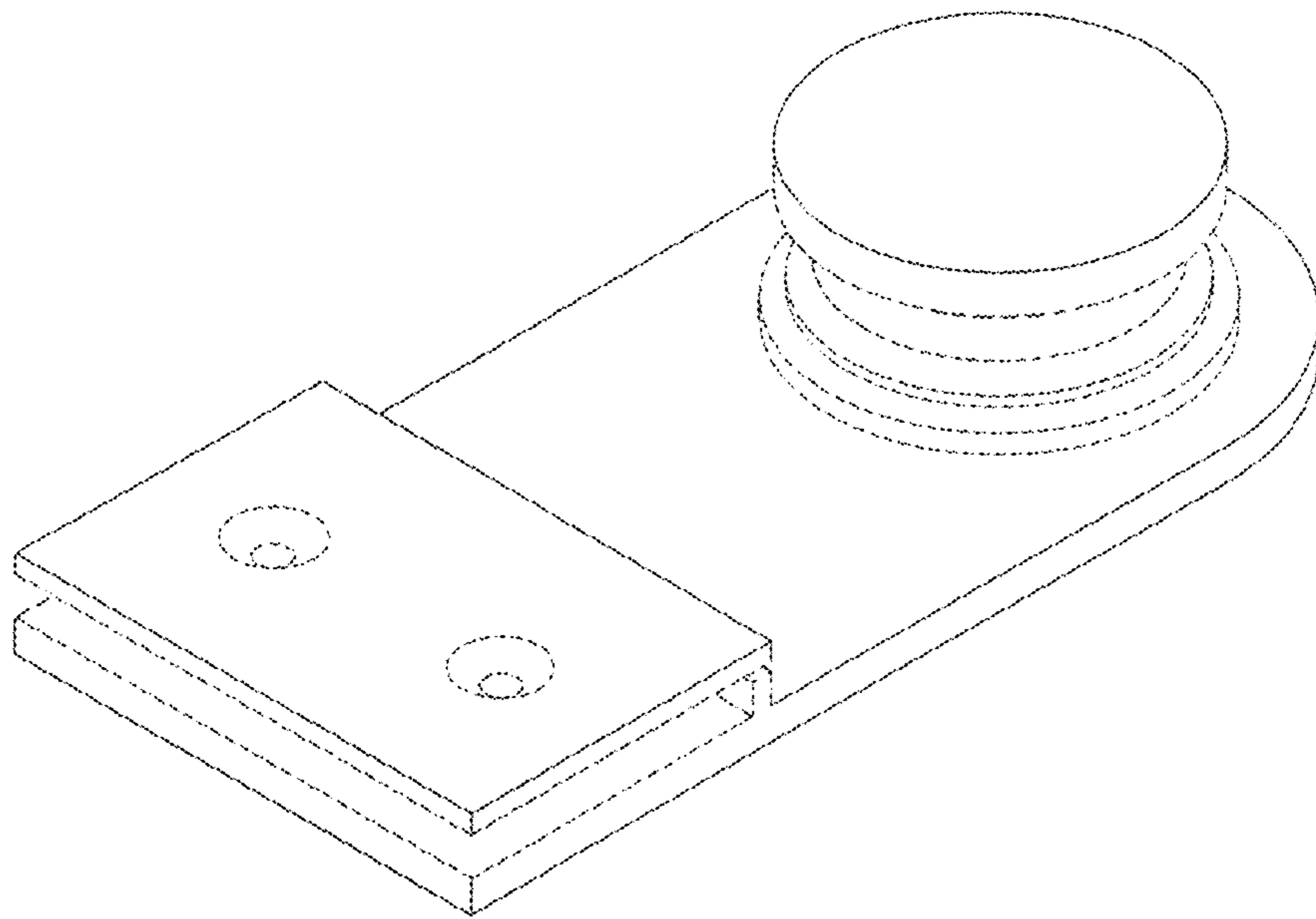


Fig. 2

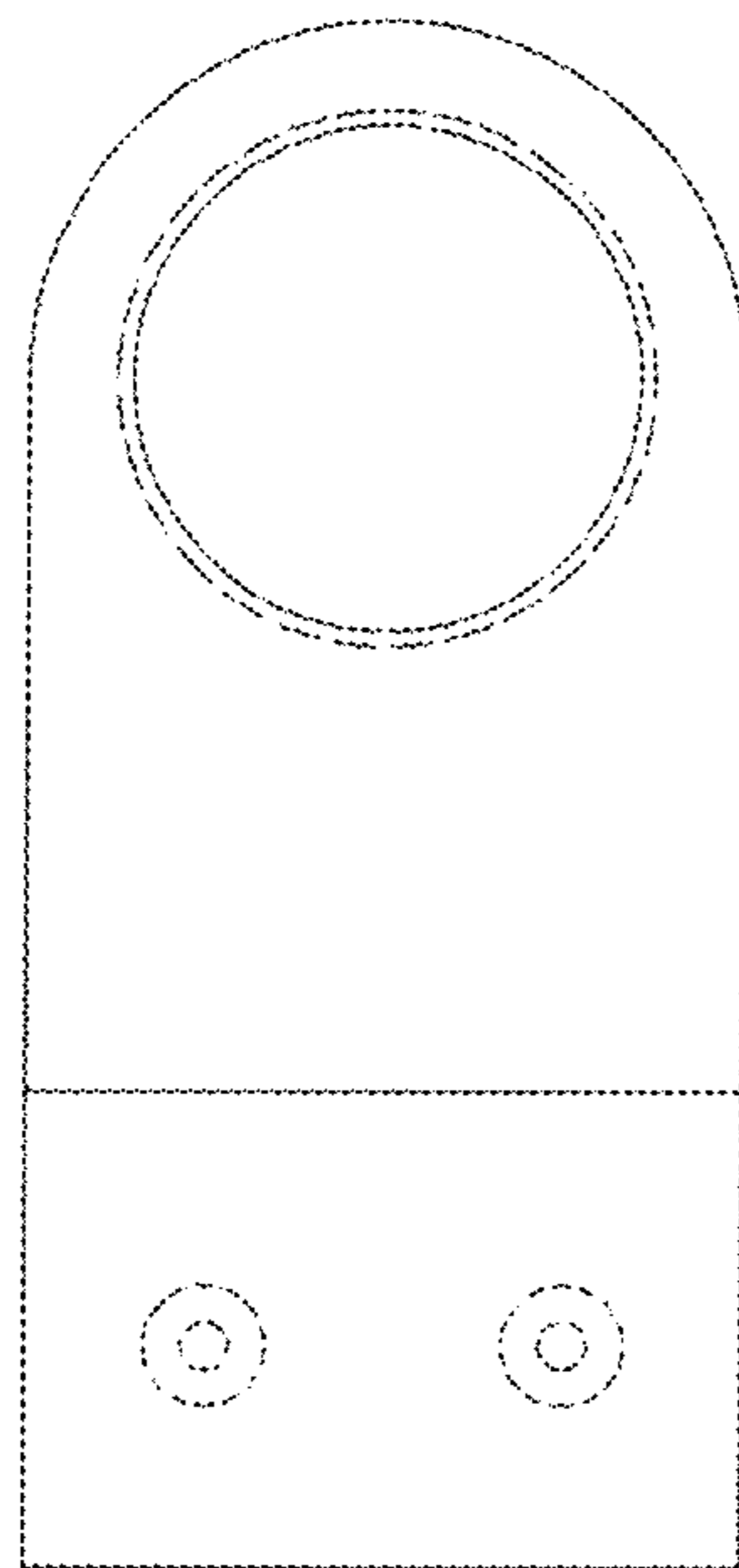


Fig. 3

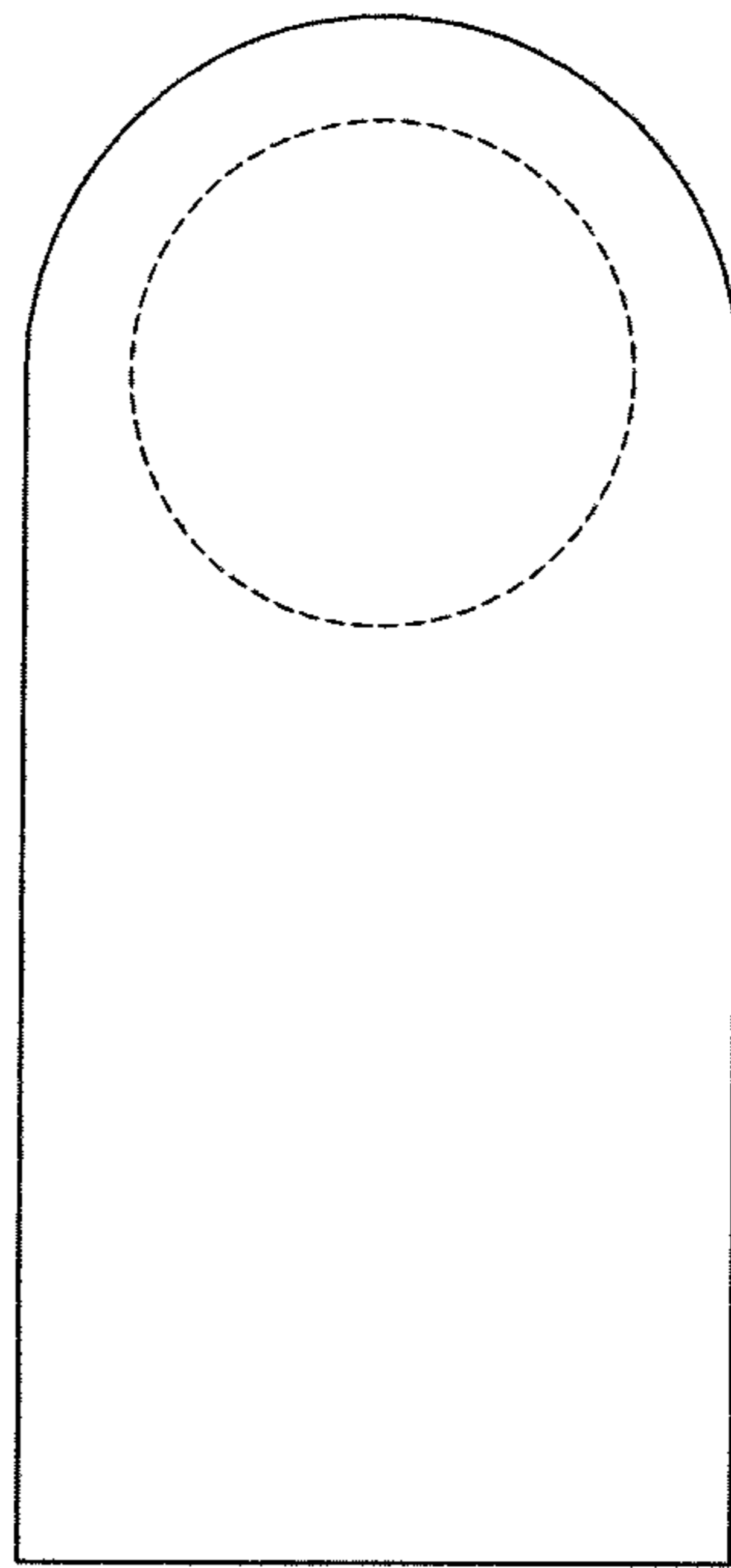


Fig. 4

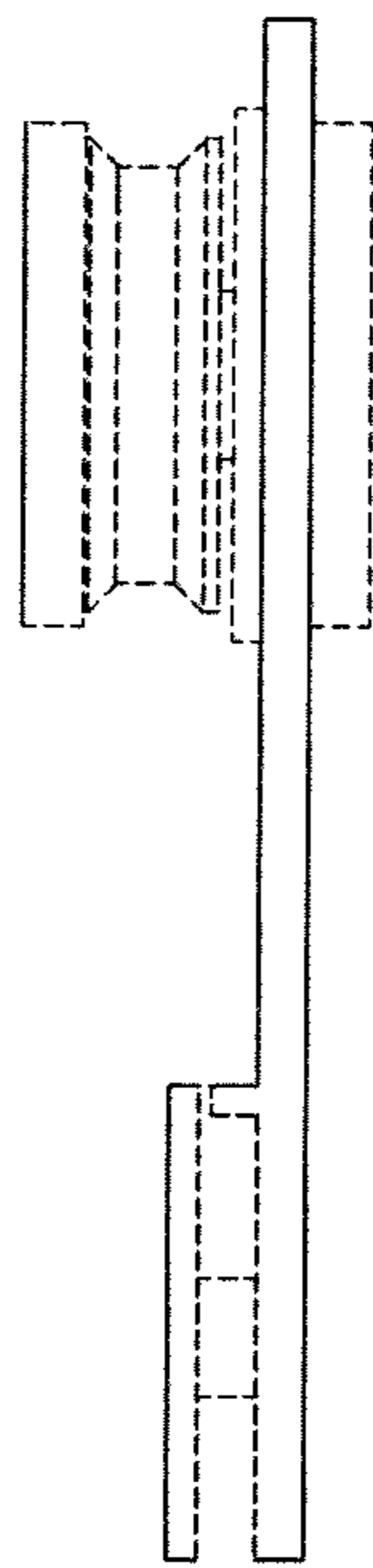


Fig. 5

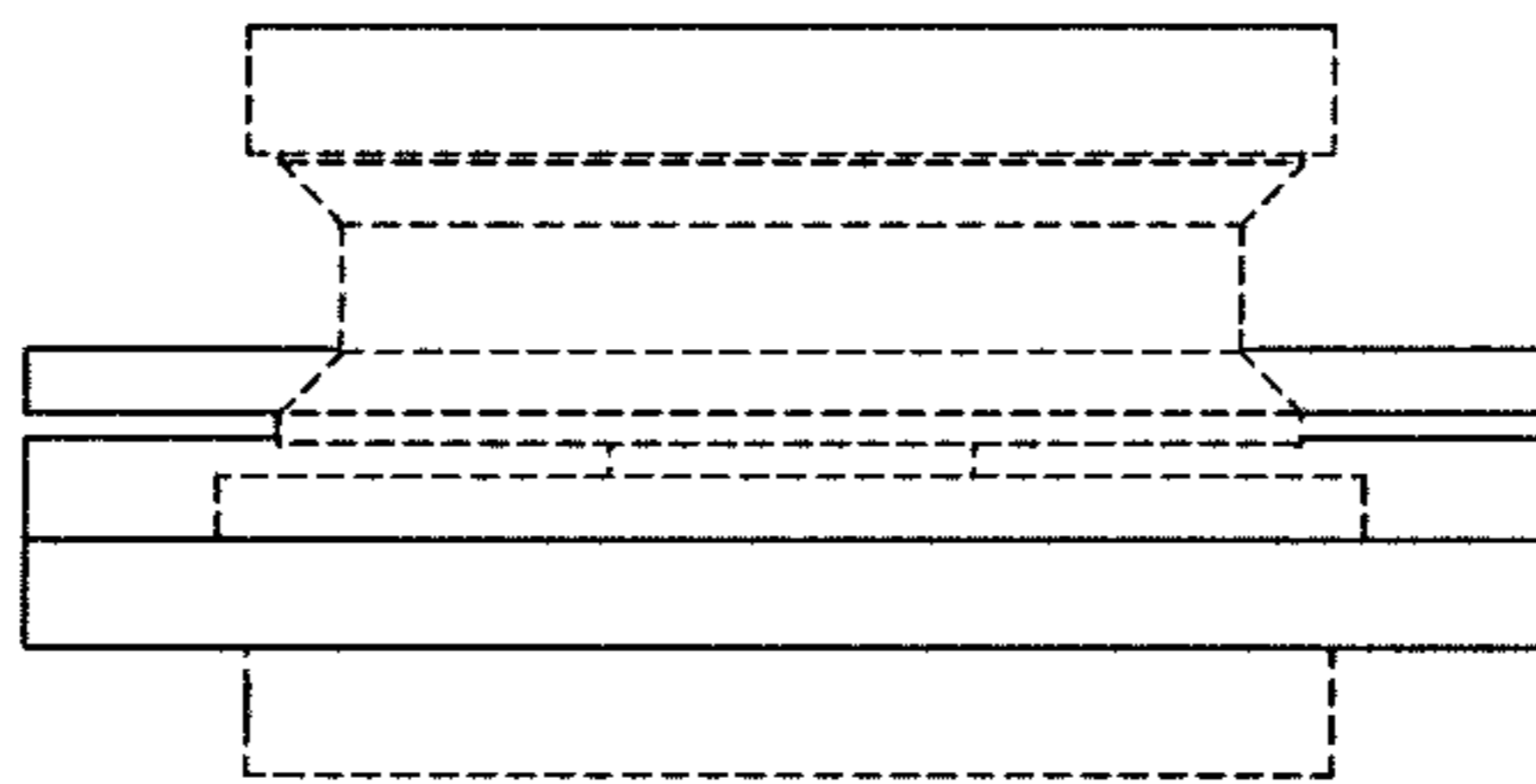


Fig. 6

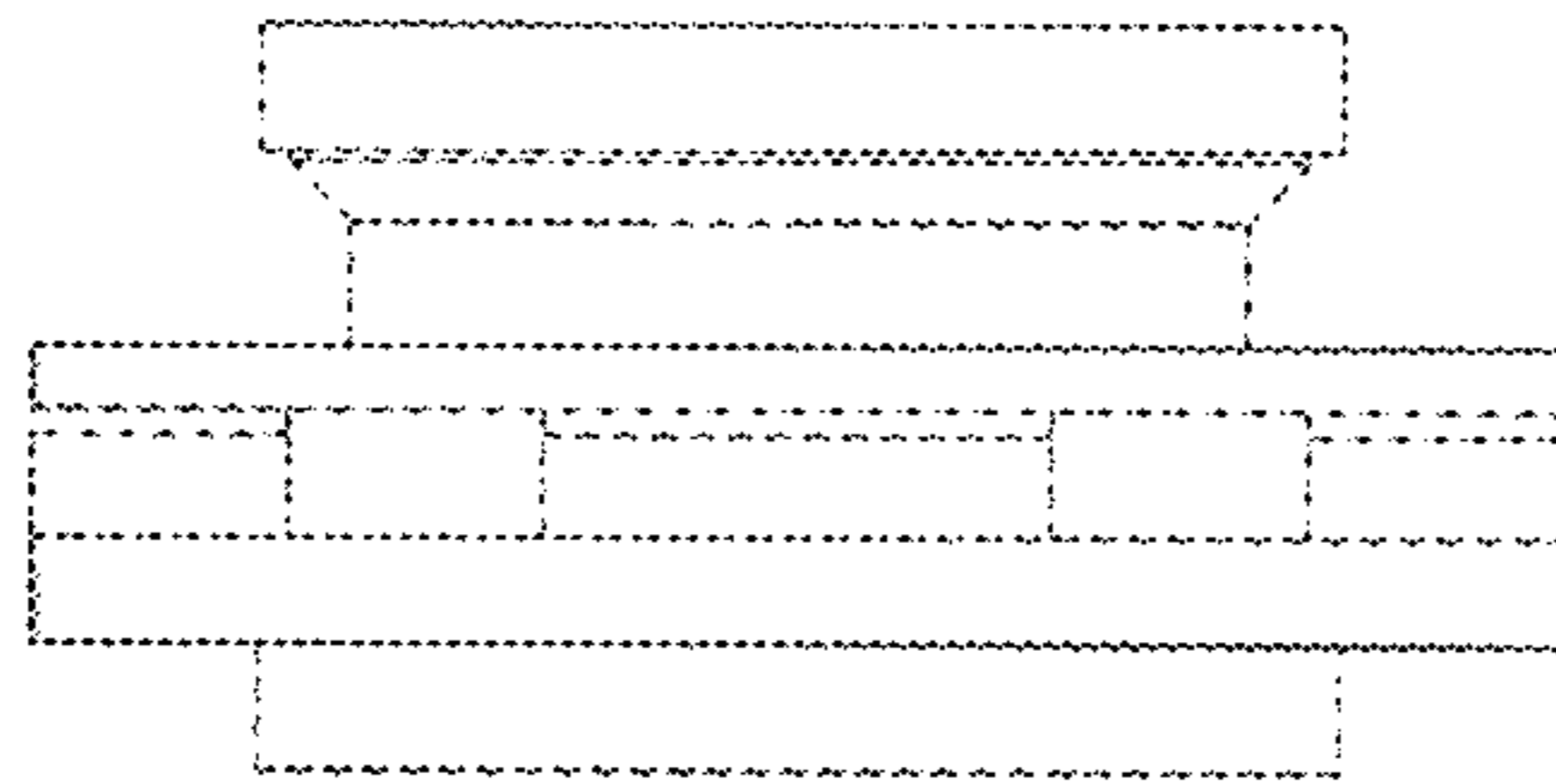


Fig. 7