



US00D742717S

(12) **United States Design Patent**
Manning et al.

(10) **Patent No.:** **US D742,717 S**

(45) **Date of Patent:** **** Nov. 10, 2015**

- (54) **DIFFERENTIAL PIN LOCK**
- (71) Applicants: **Kevin R. Manning**, East Prairie, MO (US); **Kelly L. Manning**, Bertrand, MO (US)
- (72) Inventors: **Kevin R. Manning**, East Prairie, MO (US); **Kelly L. Manning**, Bertrand, MO (US)
- (**) Term: **14 Years**
- (21) Appl. No.: **29/508,837**
- (22) Filed: **Nov. 12, 2014**
- (51) **LOC (10) Cl.** **08-07**
- (52) **U.S. Cl.**
USPC **D8/339; D8/330**
- (58) **Field of Classification Search**
USPC D8/330, 331, 336-345, 354, 349, 394, D8/499; 70/14, 51, 49, 230, 232, 253, 317, 70/322, 333 R, 319, 431, 444, 465, 466, 70/DIG. 81; 292/8, 14, 24, 25, 246, 254, 292/256, 258, 288, 359; 475/230-235, 220
CPC F16H 48/00; F16H 48/30; F16B 39/42; F01L 1/34
See application file for complete search history.

- 4,344,335 A 8/1982 Kawai et al.
- 4,811,629 A * 3/1989 Monquin F16H 48/08 475/231
- 5,332,251 A * 7/1994 Farquhar B60D 1/60 280/507
- 5,591,098 A * 1/1997 Jones F16H 48/08 475/231
- 5,947,859 A 9/1999 McNamara
- 6,432,020 B1 8/2002 Rivera et al.
- 7,147,584 B1 * 12/2006 Lu F16H 48/10 475/250
- 7,419,453 B2 9/2008 Liu
- D596,921 S * 7/2009 Hageman D8/330
- D646,951 S * 10/2011 Tsai D8/330
- D649,431 S * 11/2011 Shartel D8/330
- D709,753 S * 7/2014 Guala D24/112
- 8,789,717 B2 * 7/2014 Payne E05B 83/34 220/210
- 8,899,199 B1 * 12/2014 Waters F01L 1/3442 123/90.15
- 9,046,013 B2 * 6/2015 Lichti F01L 1/344

* cited by examiner

Primary Examiner — Prabhakar Deshmukh
(74) *Attorney, Agent, or Firm* — Grace J. Fishel

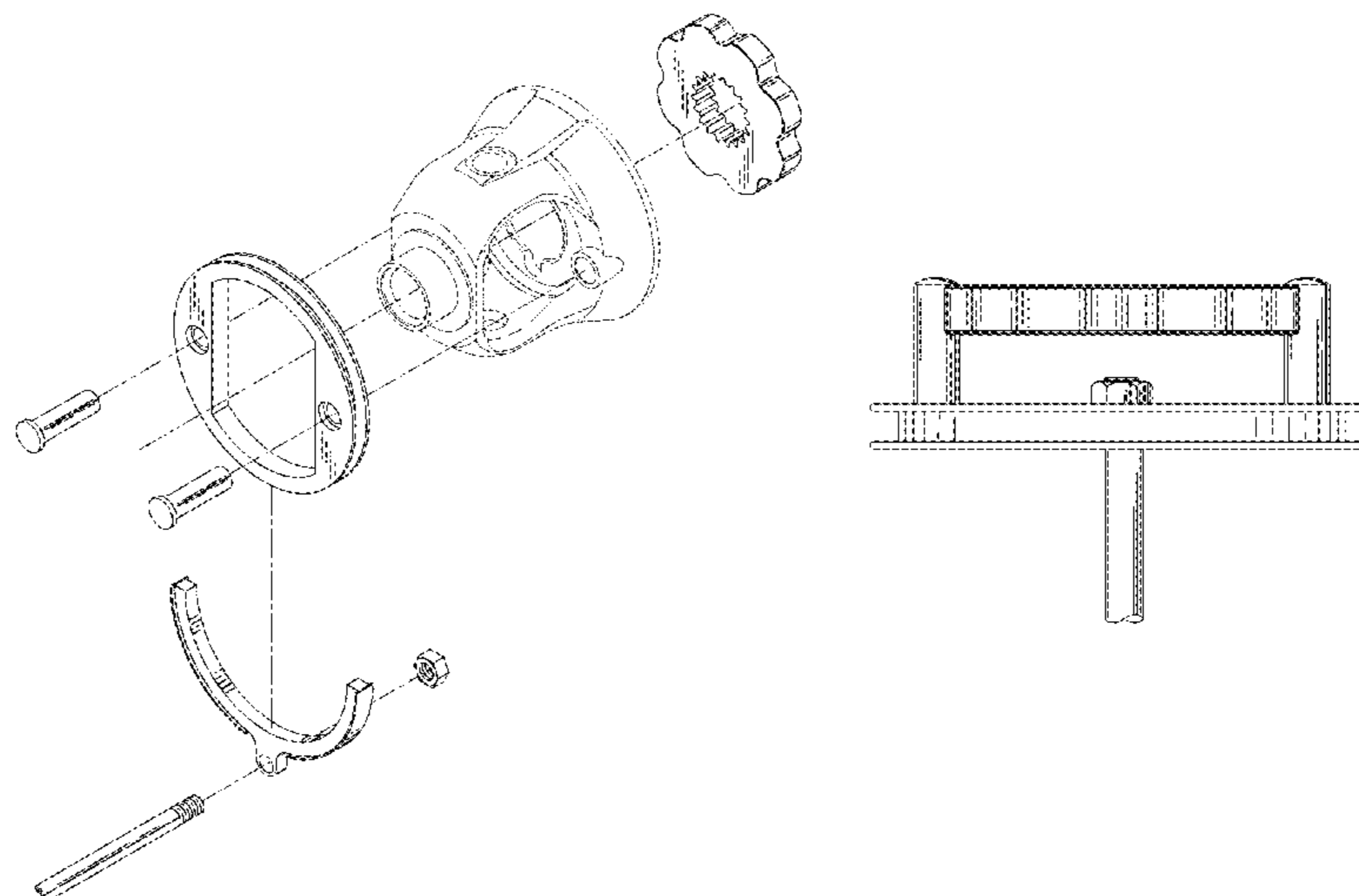
(57) **CLAIM**
The ornamental design for a differential pin lock, as shown and described.

DESCRIPTION

FIG. 1 is an exploded perspective view of a differential pin lock showing our new design in use;
FIG. 2 is a top plan view thereof;
FIG. 3 is a left side elevation thereof, the right side being a mirror image;
FIG. 4 is a front elevation thereof;
FIG. 5 is a bottom plan view thereof; and,
FIG. 6 is a back elevation thereof.
The housing shown in broken lines in FIG. 1 denotes the nature and environmental use of the design and is not part of the design.

1 Claim, 3 Drawing Sheets

- (56) **References Cited**
U.S. PATENT DOCUMENTS
- 175,684 A 4/1876 Field
- 1,439,239 A 12/1922 Hintze
- 1,447,116 A 2/1923 Baird et al.
- 1,484,466 A 2/1924 Boydelatour
- 1,691,230 A 11/1928 Dennison
- 1,719,095 A 7/1929 West
- 1,723,901 A 8/1929 Todd
- 1,786,492 A 12/1930 Hustvet
- 1,955,103 A 4/1934 Snow
- 2,132,692 A 10/1938 Lawrence
- 2,638,797 A 5/1953 Gross
- 4,043,224 A 8/1977 Quick et al.



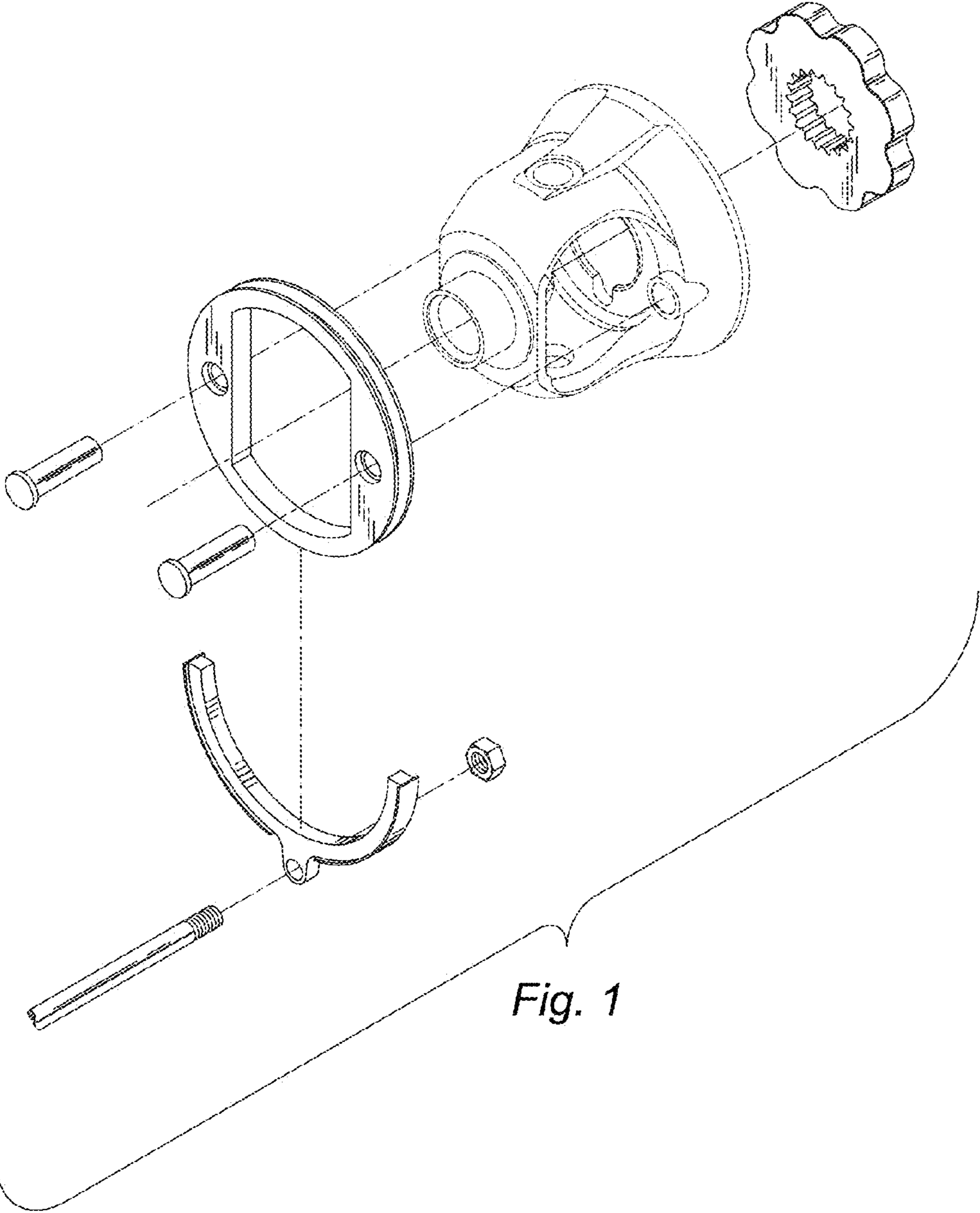


Fig. 1

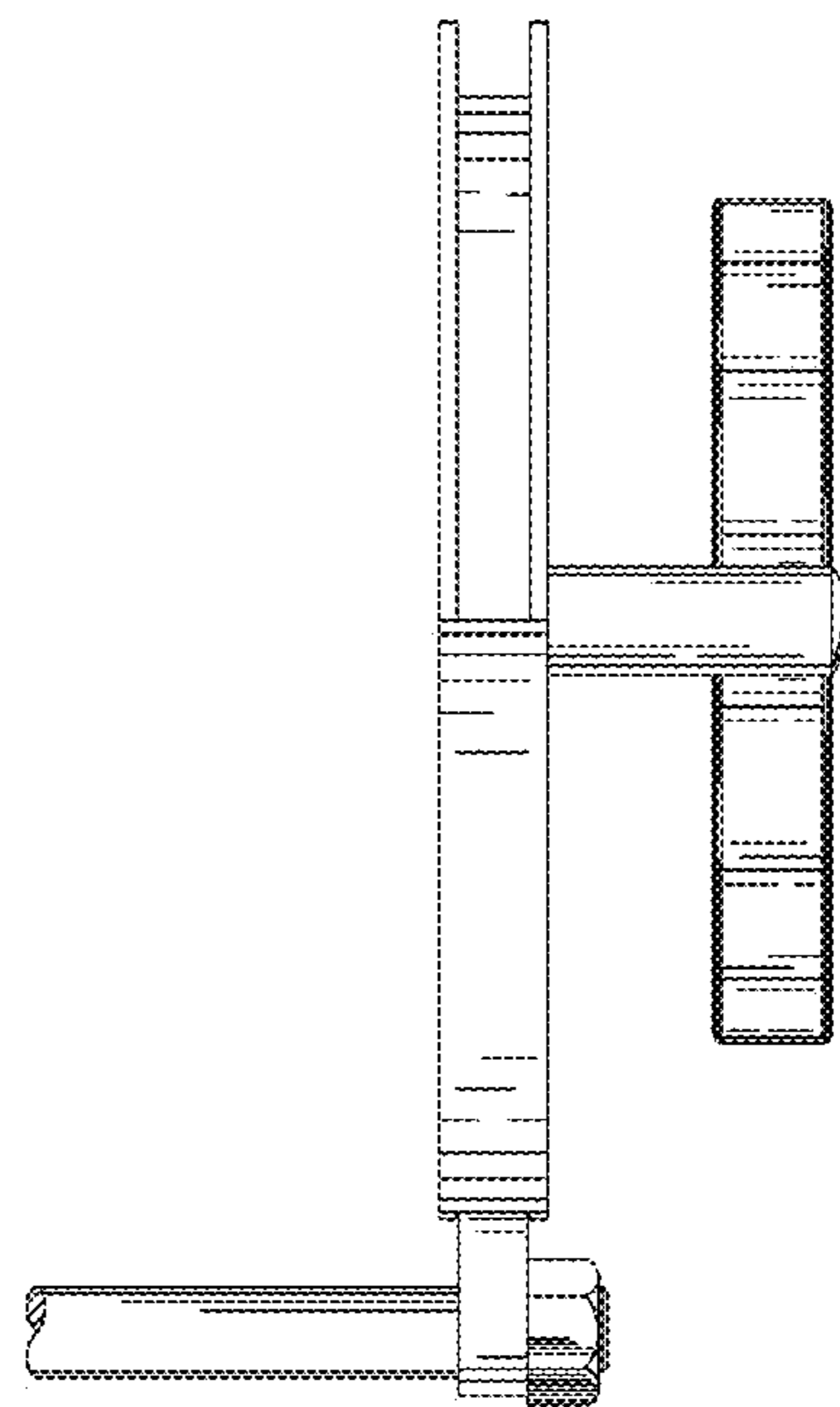
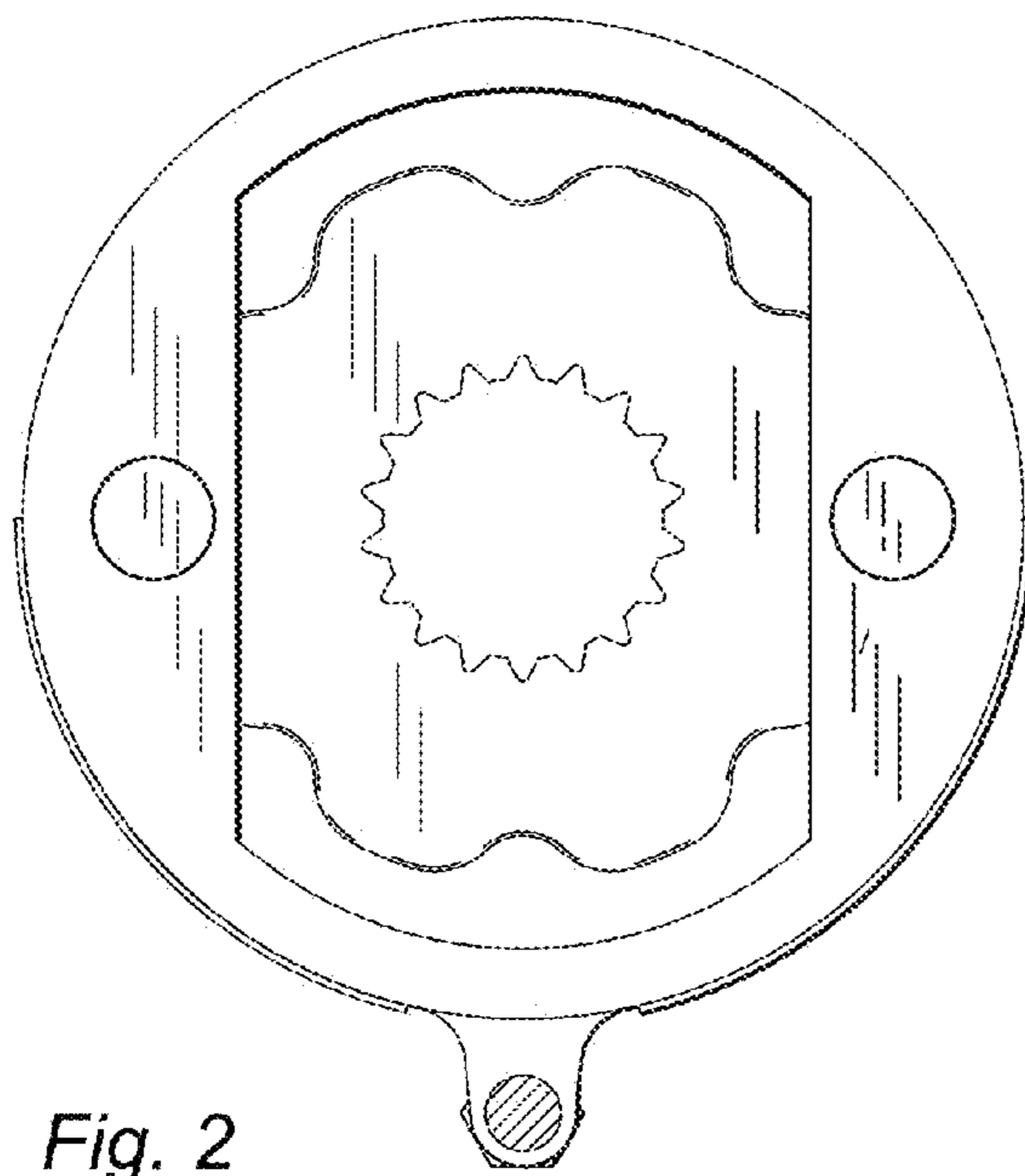
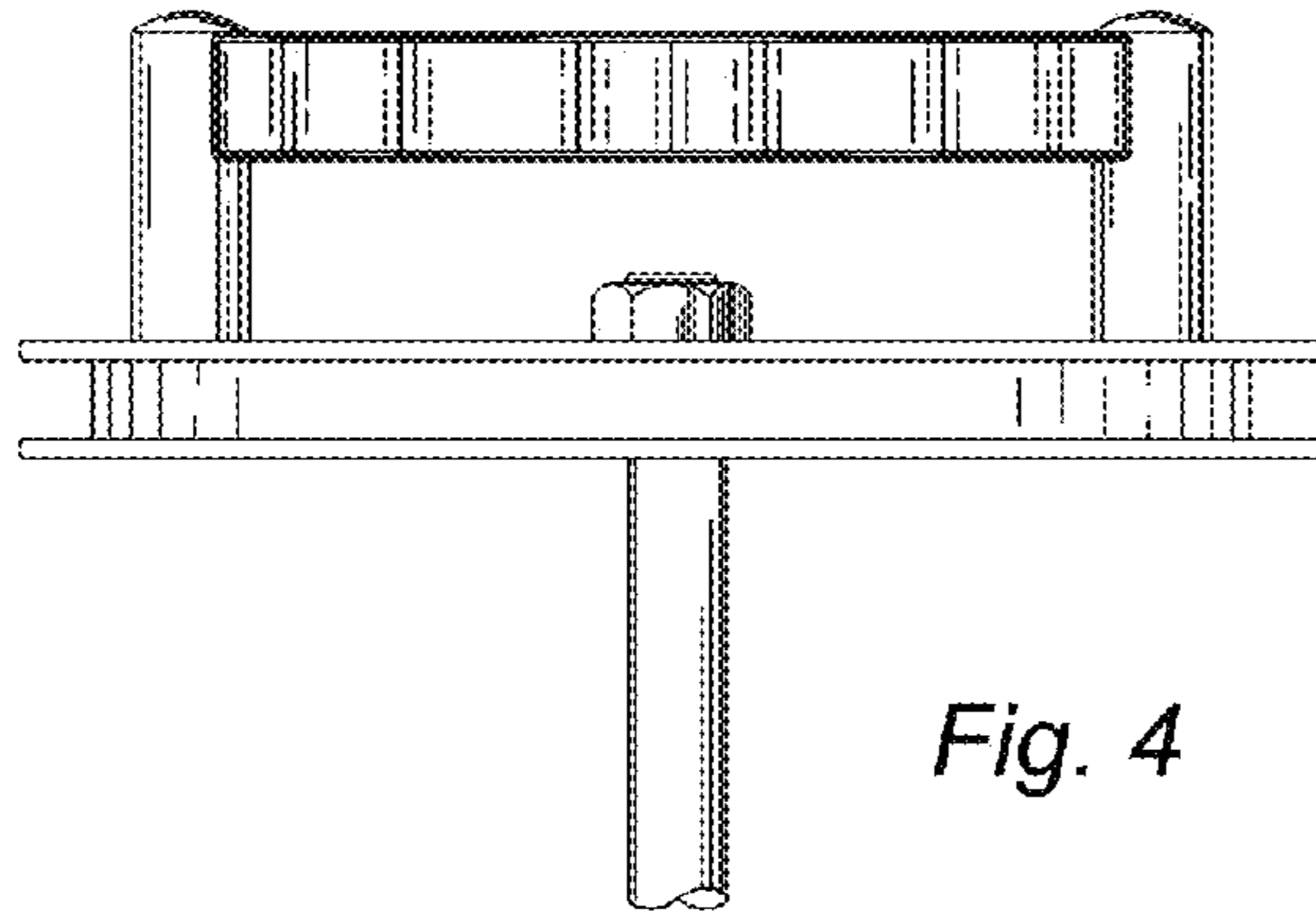


Fig. 3

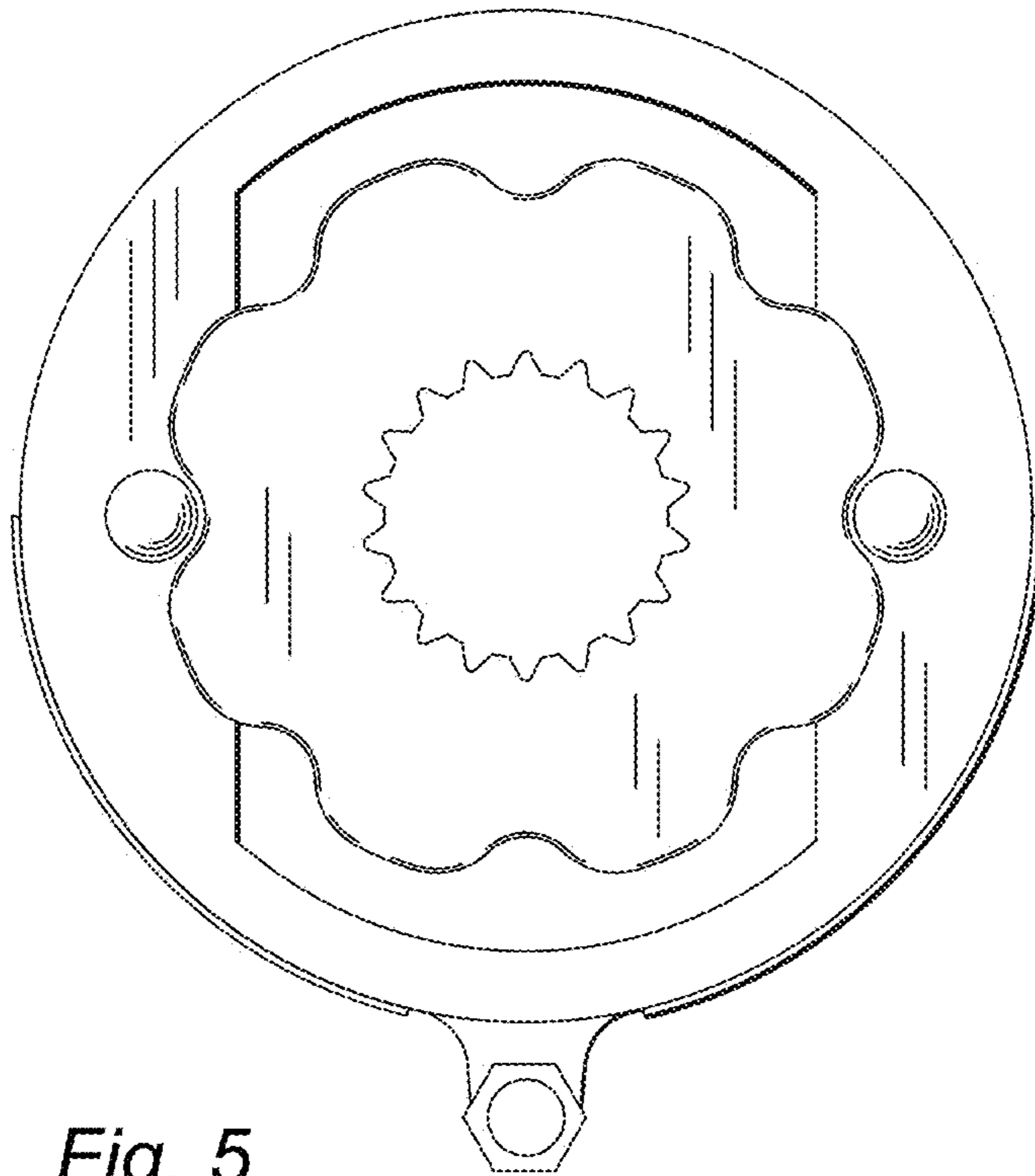


Fig. 5

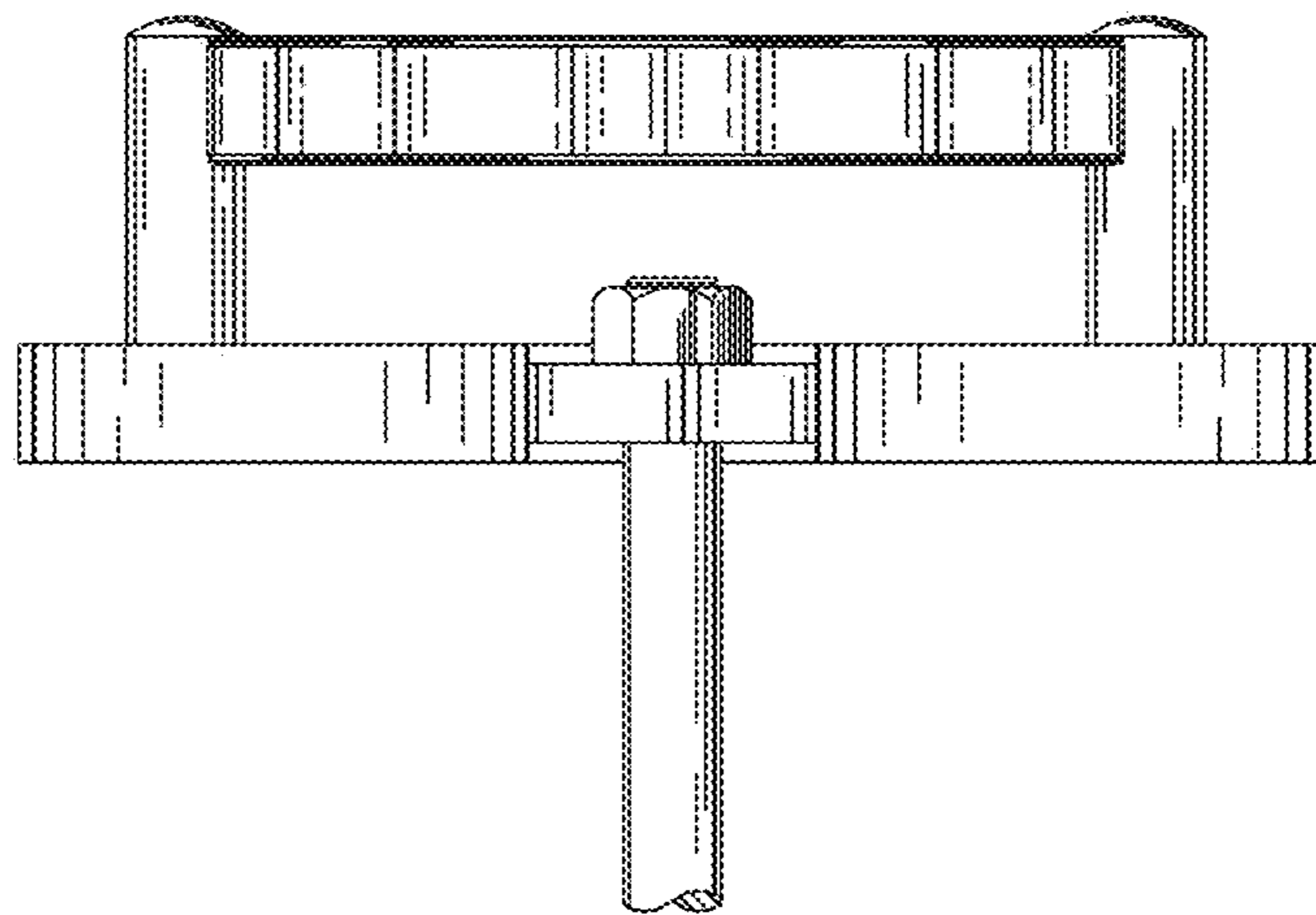


Fig. 6