



US00D742714S

(12) **United States Design Patent**
King, Jr. et al.

(10) **Patent No.:** **US D742,714 S**

(45) **Date of Patent:** **** Nov. 10, 2015**

- (54) **POCKET FIELD TOOL BIT**
- (71) Applicants: **L Herbert King, Jr.**, Jupiter, FL (US);
James Keeven, O'Fallon, MO (US);
Steven Rhea, St. Peters, MO (US)
- (72) Inventors: **L Herbert King, Jr.**, Jupiter, FL (US);
James Keeven, O'Fallon, MO (US);
Steven Rhea, St. Peters, MO (US)
- (73) Assignee: **THE PATENT STORE, LLC**,
O'Fallon, MO (US)

| | | | | | | |
|--------------|----|---|---------|---------------|-------|----------|
| D454,039 | S | * | 3/2002 | Allen | | D8/55 |
| D460,332 | S | * | 7/2002 | Seber | | D8/55 |
| 6,487,941 | B1 | * | 12/2002 | Ping | | 81/300 |
| D486,715 | S | * | 2/2004 | Ping | | D8/105 |
| D498,125 | S | * | 11/2004 | Ping | | D8/55 |
| 6,978,504 | B1 | * | 12/2005 | Smith et al. | | 7/165 |
| 7,185,569 | B2 | * | 3/2007 | Knight et al. | | 81/450 |
| D595,106 | S | * | 6/2009 | Rubin et al. | | D8/105 |
| D598,266 | S | * | 8/2009 | Rubin et al. | | D8/105 |
| 7,712,399 | B2 | * | 5/2010 | Nenadic | | 81/427.5 |
| D656,611 | S | * | 3/2012 | Garcia et al. | | D24/145 |
| 8,966,690 | B2 | * | 3/2015 | Stokes et al. | | 7/108 |
| 2005/0150333 | A1 | * | 7/2005 | Rivera et al. | | 81/450 |
| 2015/0082953 | A1 | * | 3/2015 | King et al. | | 83/30 |

(**) Term: **14 Years**

(21) Appl. No.: **29/463,325**

(22) Filed: **Oct. 11, 2013**

(51) **LOC (10) Cl.** **08-04**

(52) **U.S. Cl.**
USPC **D8/86**

(58) **Field of Classification Search**
USPC D8/70, 82-87, 105; D15/139; 81/125,
81/177.1-177.7, 436, 438, 460-461
CPC B23B 2251/66; B23P 15/00; B25B 13/06;
B25B 13/5091; B25B 15/00; B25B 15/001;
B25B 15/002; B25B 15/004; B25B 15/005;
B25B 15/008; B25B 15/02; B25B 15/04;
B25B 17/00; B25B 21/007; B25B 23/00;
B25B 23/0035; B25B 23/005; B25B 23/12;
B25B 23/1405; B25B 27/18; B25B 31/12;
B25B 51/08; B25B 51/108

See application file for complete search history.

(56) **References Cited**

U.S. PATENT DOCUMENTS

| | | | | | | |
|-----------|----|---|---------|--------------|-------|----------|
| 2,366,682 | A | * | 1/1945 | West et al. | | 81/460 |
| 5,218,892 | A | * | 6/1993 | Napoli | | 81/440 |
| 5,491,856 | A | * | 2/1996 | Legg | | 7/128 |
| D407,287 | S | * | 3/1999 | Seber et al. | | D8/55 |
| D407,616 | S | * | 4/1999 | Seber | | D8/55 |
| 5,916,277 | A | * | 6/1999 | Dallas | | 7/128 |
| 5,964,131 | A | * | 10/1999 | Seber et al. | | 81/427.5 |
| 6,185,771 | B1 | * | 2/2001 | Trusty, Sr. | | 7/128 |

OTHER PUBLICATIONS

Bear Grylls Compact Multi-tool. Images snagged Apr. 2, 2015 at http://www.ee33.co.uk/product.asp?P_ID=5071.*
Gerber-Bear Grylls Survival Series Tool Pack. Downloaded from <http://www.thefirestore.com/store/product.aspx/productId/11145/selectedVariationId/18021> . . . Apr. 2, 2015.*
Key Chain-Space Invaders Multi-Tool. Downloaded from <http://www.blameitonthevoices.com/2012/11/key-chain-space-invaders-multi-tool.html> on Apr. 2, 2015.*

* cited by examiner

Primary Examiner — Philip S Hyder
Assistant Examiner — Roselynn Cody
(74) *Attorney, Agent, or Firm* — Jacobson & Johnson LLC

(57) **CLAIM**

We claim the ornamental design for a pocket field tool bit, as shown and described.

DESCRIPTION

FIG. 1 is a perspective view of the pocket field tool bit;
FIG. 2 is a front view thereof;
FIG. 3 is a left side view thereof;
FIG. 4 is a back view thereof;
FIG. 5 is a right side view thereof;
FIG. 6 is a top view thereof; and,
FIG. 7 is a bottom view thereof.
The features shown in broken lines are directed to portions of the tool bit that form no part of the claim.

1 Claim, 2 Drawing Sheets

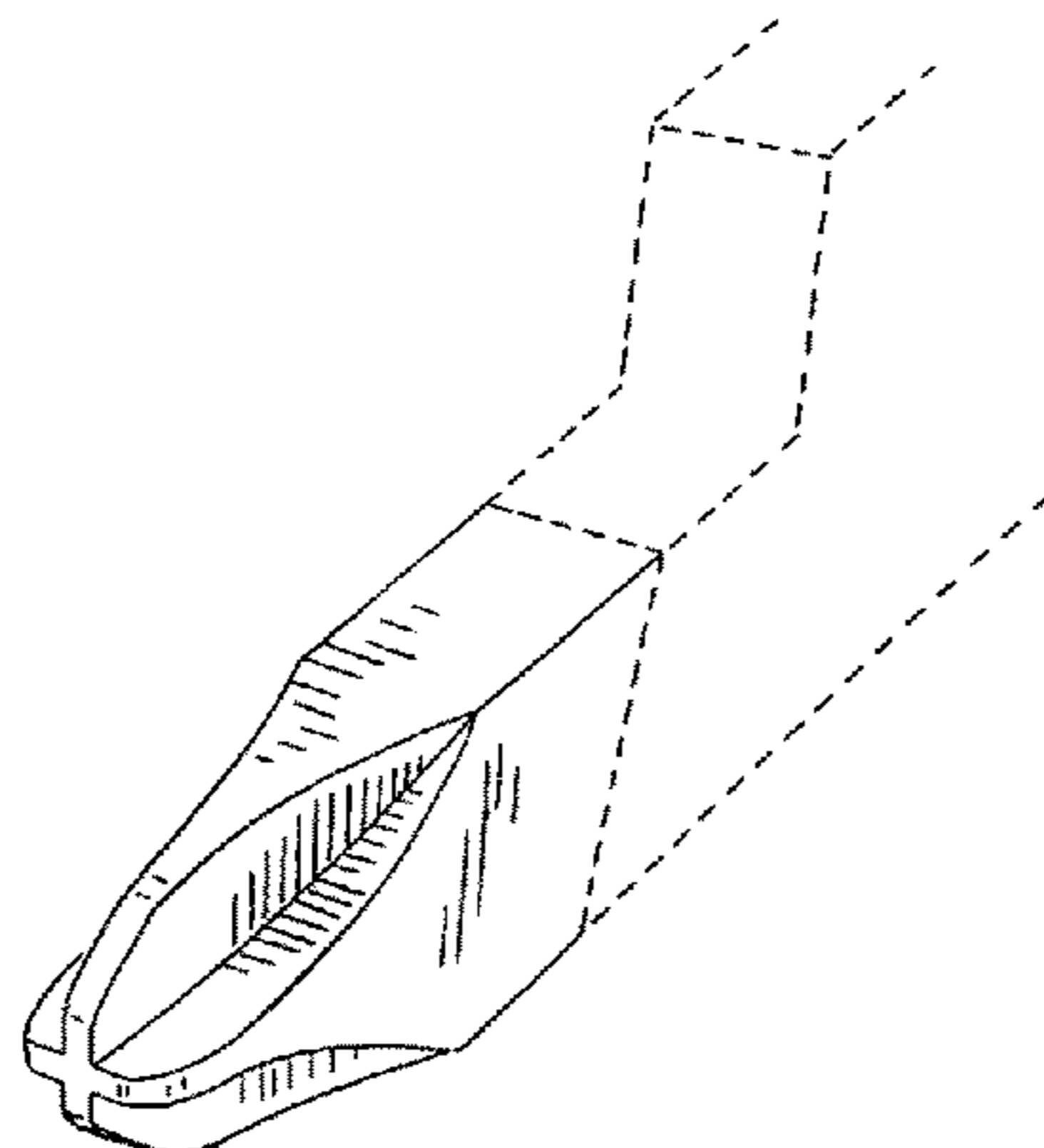


FIG. 1

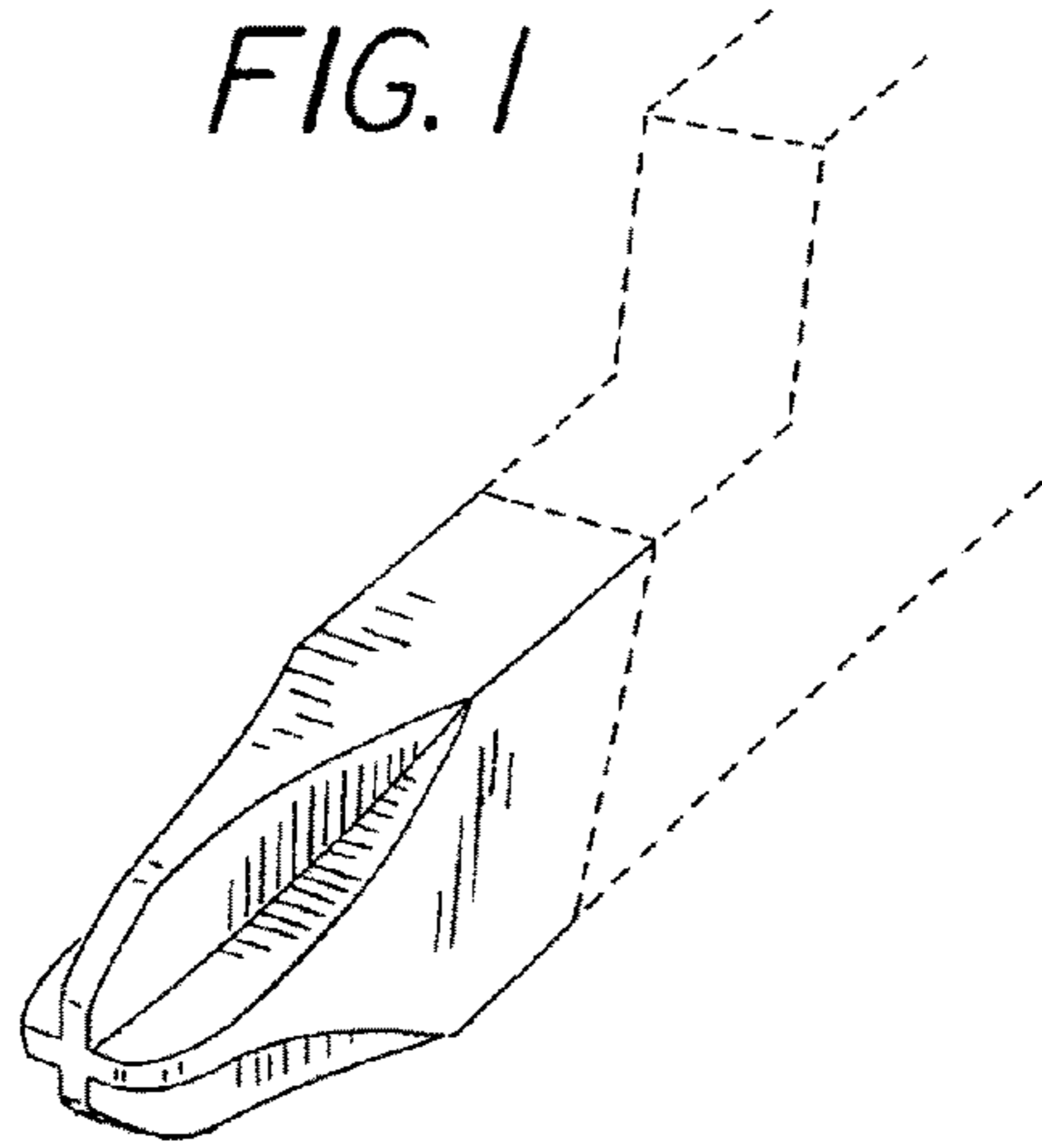


FIG. 2

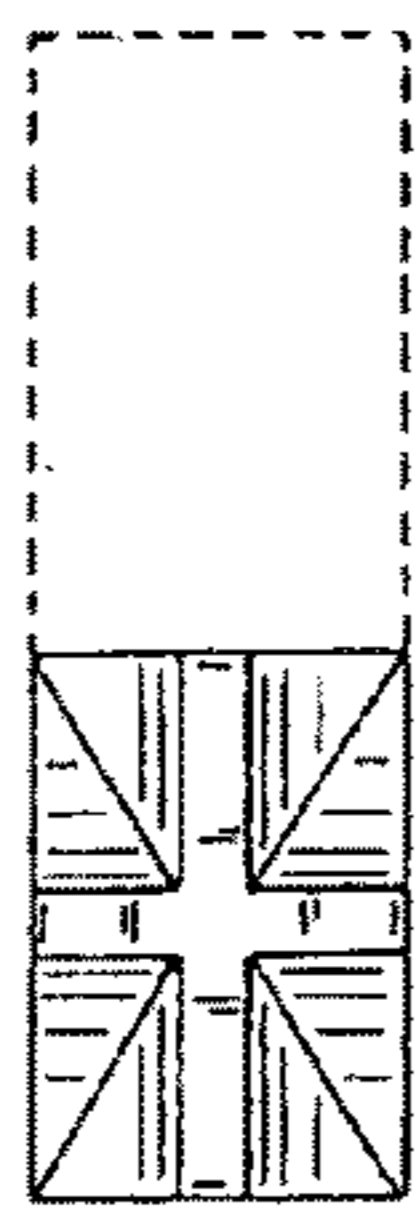


FIG. 3

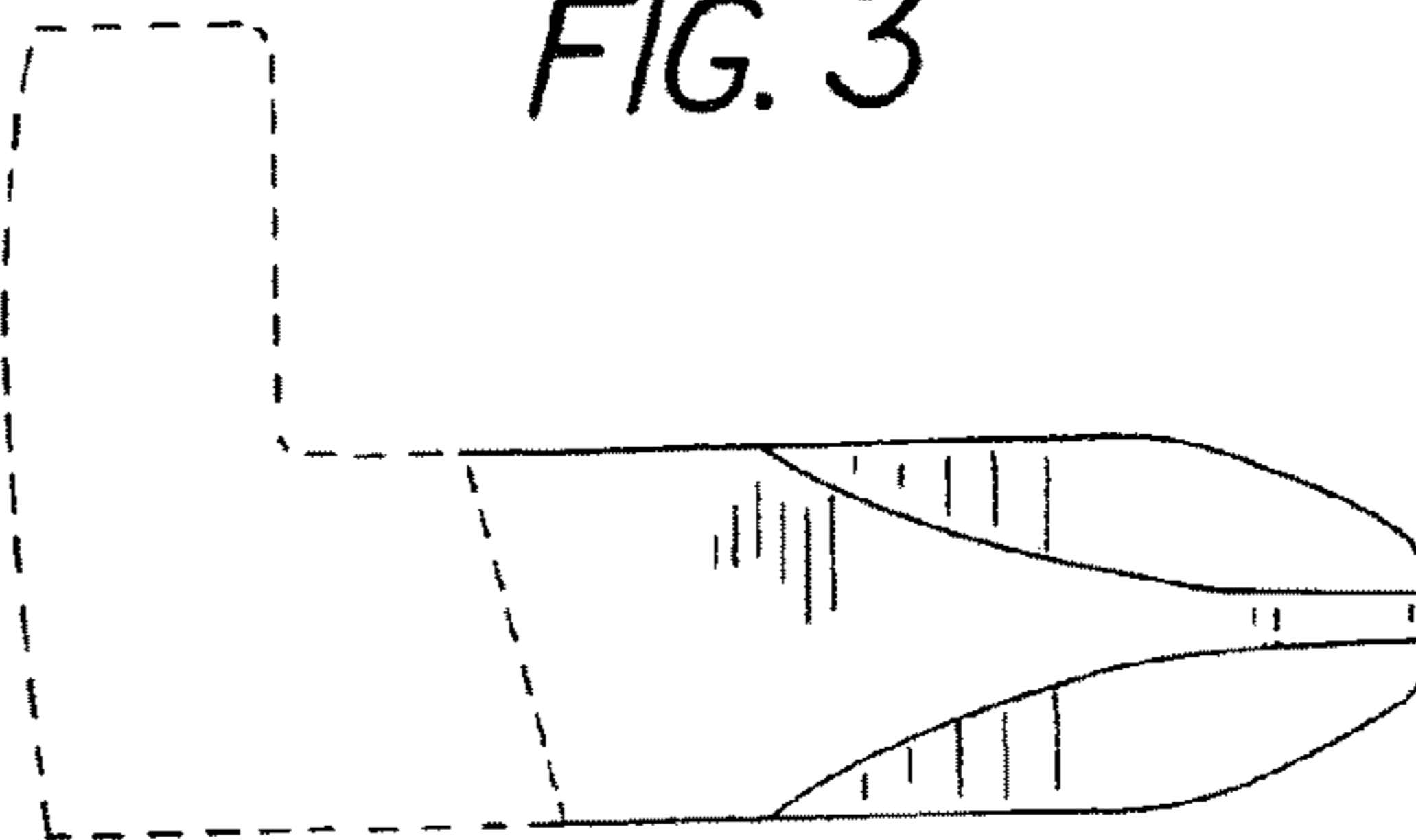


FIG. 4

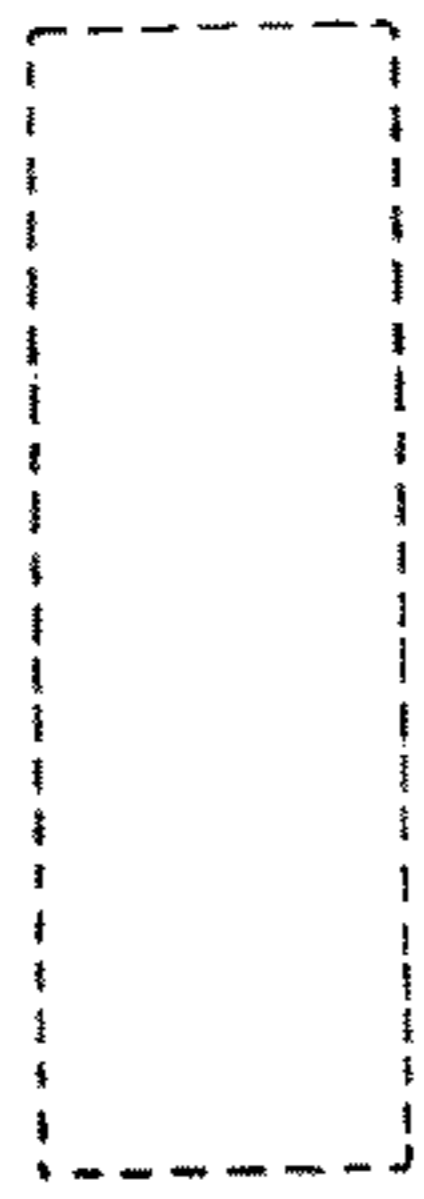


FIG. 5

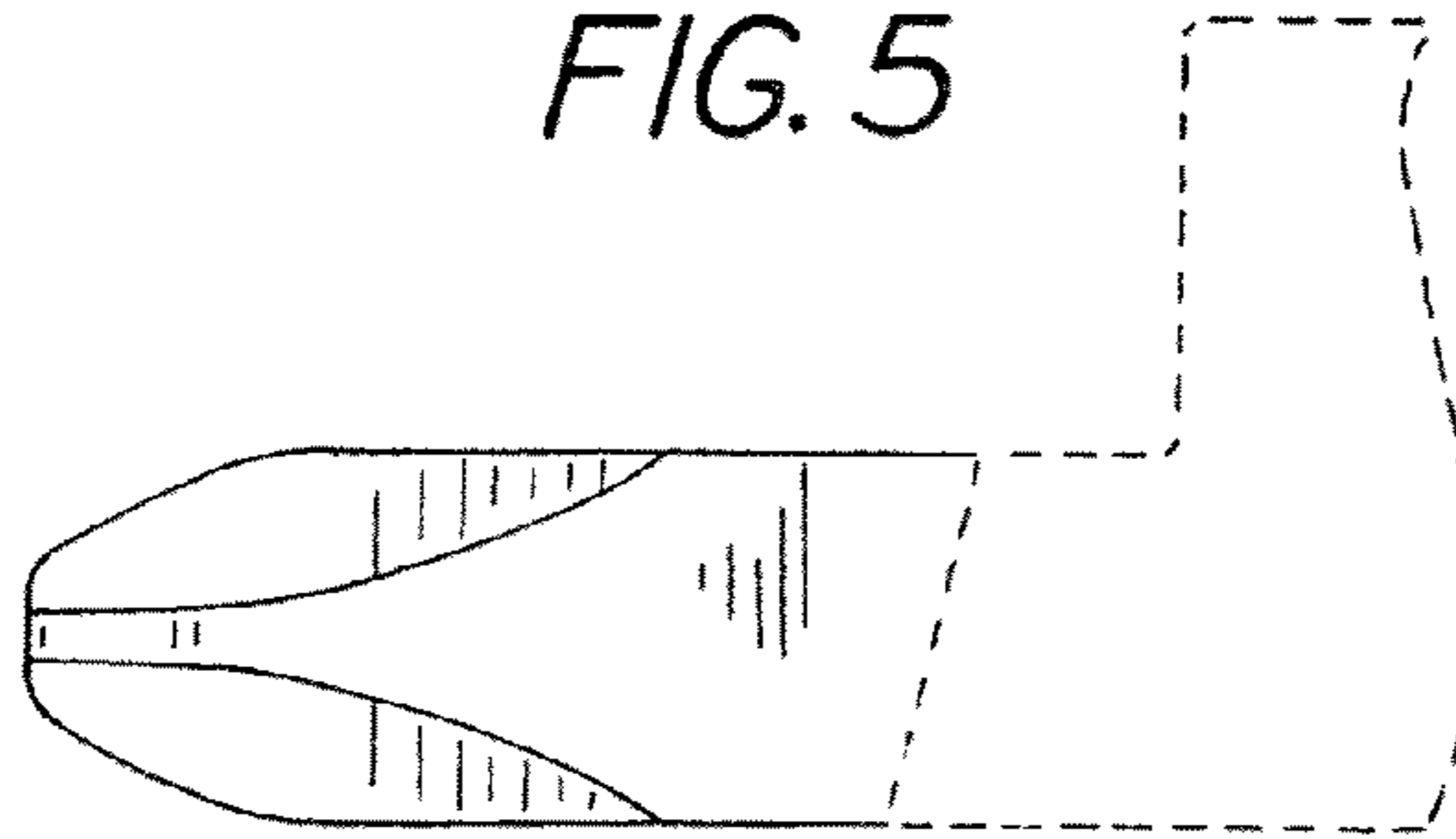


FIG. 6

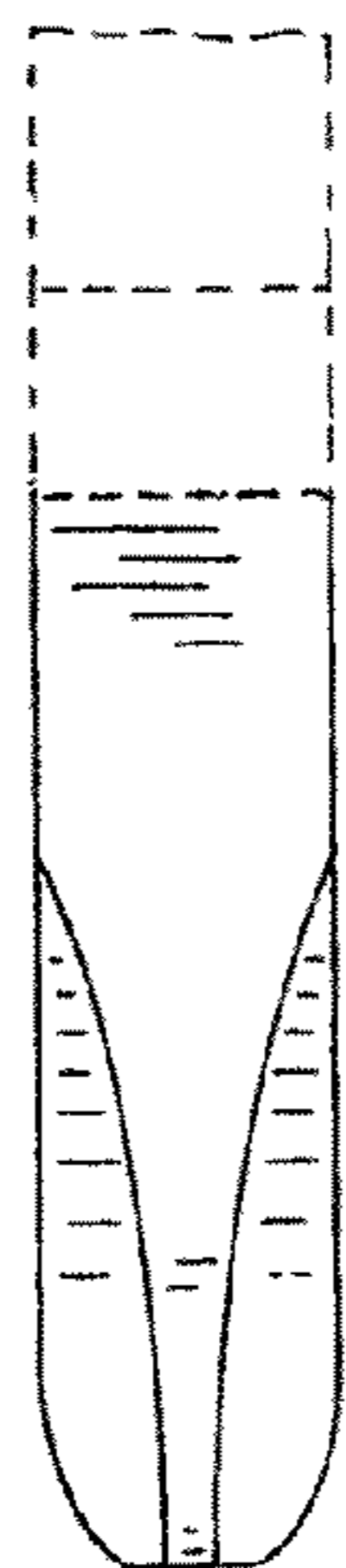


FIG. 7

