



US00D742710S

(12) **United States Design Patent**  
**Wiedemann**

(10) **Patent No.:** **US D742,710 S**

(45) **Date of Patent:** **\*\* Nov. 10, 2015**

(54) **HAMMER DRILL**

(71) Applicant: **Robert Bosch GmbH**, Stuttgart (DE)

(72) Inventor: **Christian Wiedemann**, Wiernsheim (DE)

(73) Assignee: **Robert Bosch GmbH**, Stuttgart (DE)

(\*\*) Term: **14 Years**

(21) Appl. No.: **29/477,845**

(22) Filed: **Dec. 27, 2013**

(30) **Foreign Application Priority Data**

Jun. 27, 2013 (EM) ..... 002263921

(51) **LOC (10) Cl.** ..... **08-03**

(52) **U.S. Cl.**  
USPC ..... **D8/70**

(58) **Field of Classification Search**

USPC ..... D8/14.1, 61-70; 81/429, 454-456, 469, 81/489; 173/104, 114, 168-171, 178, 201, 173/211, 213, 217; 408/20, 124, 125, 234; 388/809

CPC ..... B23Q 11/00; B23Q 11/0046; F16D 21/00  
See application file for complete search history.

(56) **References Cited**

**U.S. PATENT DOCUMENTS**

5,125,190 A \* 6/1992 Buser et al. .... 451/456  
D334,330 S \* 3/1993 Moshammer ..... D8/70  
D352,439 S \* 11/1994 Bedford ..... D8/70  
D376,526 S \* 12/1996 Hepburn ..... D8/70  
D407,617 S \* 4/1999 Cooper et al. .... D8/70

6,053,674 A \* 4/2000 Thompson ..... 408/67  
6,887,146 B2 \* 5/2005 Staas et al. .... 454/66  
D546,156 S \* 7/2007 Aglassinger et al. .... D8/70  
D589,318 S \* 3/2009 Meyer ..... D8/70  
D614,678 S \* 4/2010 Jorgensen et al. .... D15/138  
D677,547 S \* 3/2013 Rosenau et al. .... D8/70  
2010/0200117 A1 \* 8/2010 Glogger et al. .... 144/252.1  
2011/0142561 A1 \* 6/2011 Hahn ..... 408/56

\* cited by examiner

*Primary Examiner* — Philip S Hyder

*Assistant Examiner* — Darlington Ly

(74) *Attorney, Agent, or Firm* — Maginot, Moore & Beck LLP

(57) **CLAIM**

The ornamental design for a hammer drill, as shown and described.

**DESCRIPTION**

FIG. 1 is a perspective view of a hammer drill showing my new design;

FIG. 2 is a right side elevational view showing the design for the hammer drill of FIG. 1;

FIG. 3 is a left side elevational view showing the design for the hammer drill of FIG. 1;

FIG. 4 is a top plan view showing the design for the hammer drill of FIG. 1;

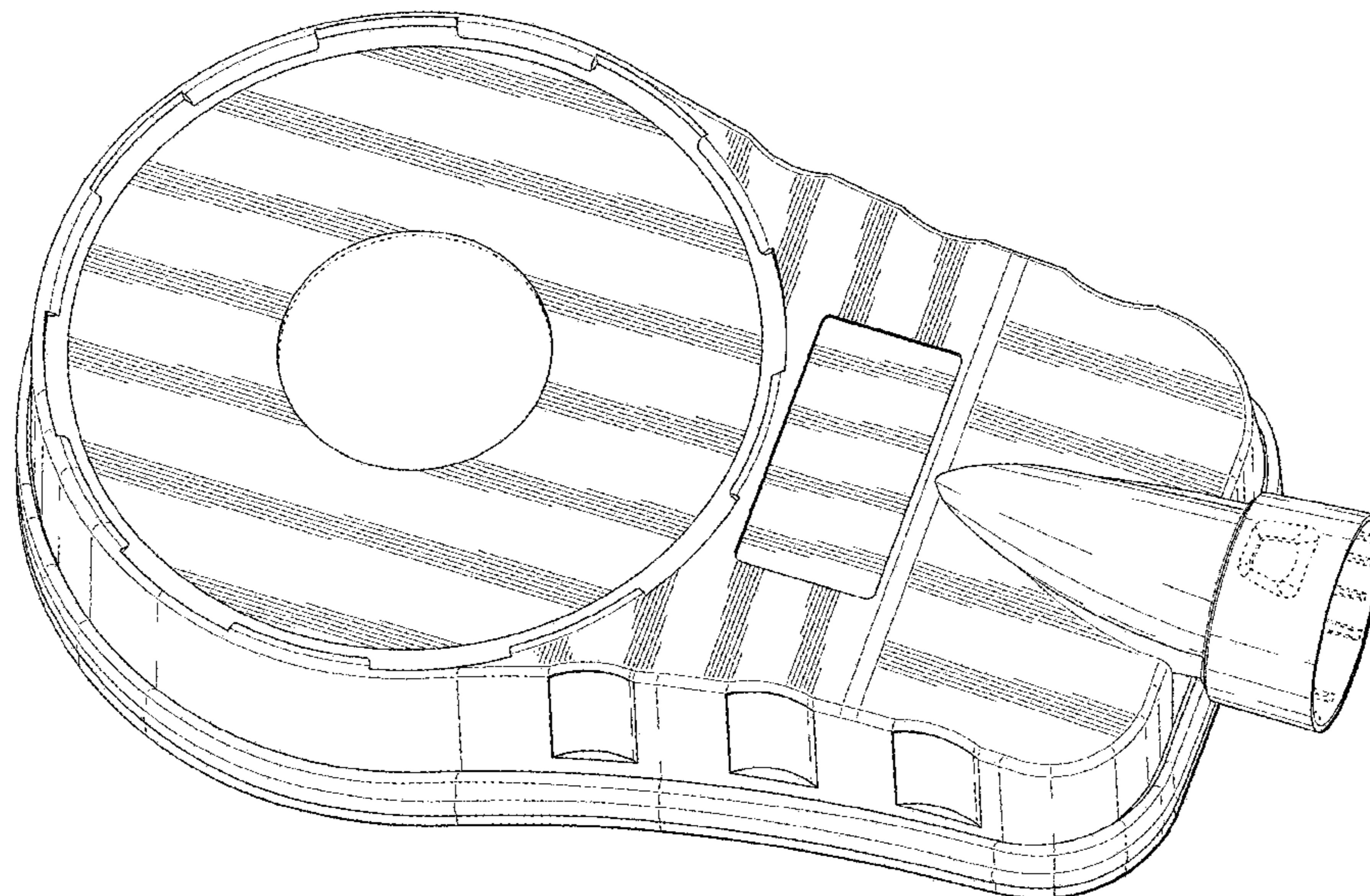
FIG. 5 is a bottom plan view showing the design for the hammer drill of FIG. 1;

FIG. 6 is a front elevational view showing the design for the hammer drill of FIG. 1; and,

FIG. 7 is a rear elevational view showing the design for the hammer drill of FIG. 1.

The broken lines shown in the drawings illustrate portions of the hammer drill that form no part of the claimed design.

**1 Claim, 7 Drawing Sheets**



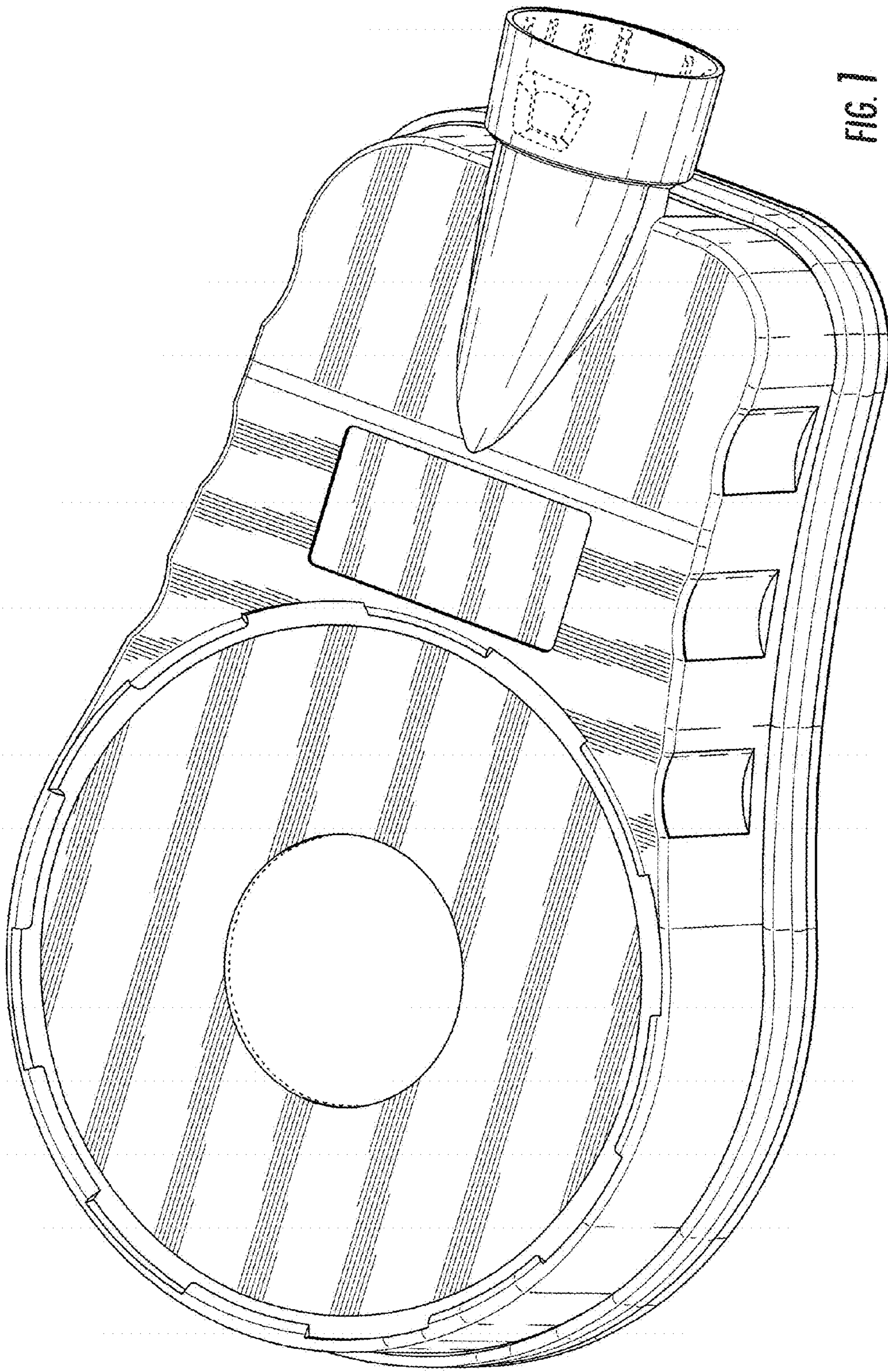


FIG. 1

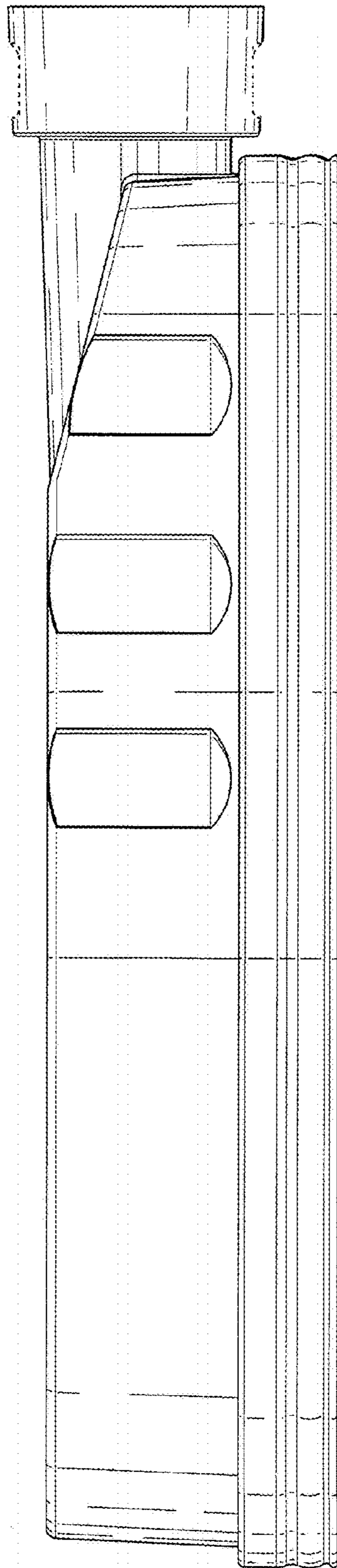


FIG. 2

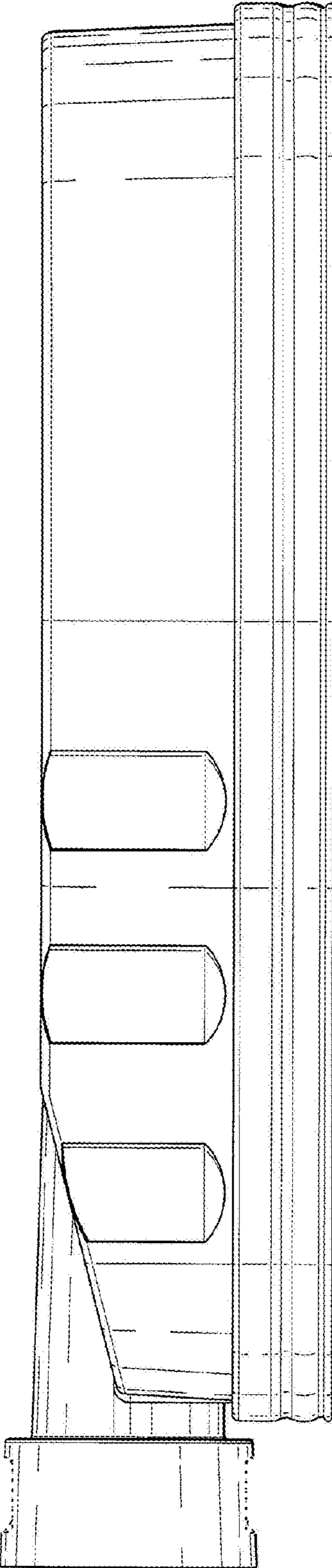


FIG. 3

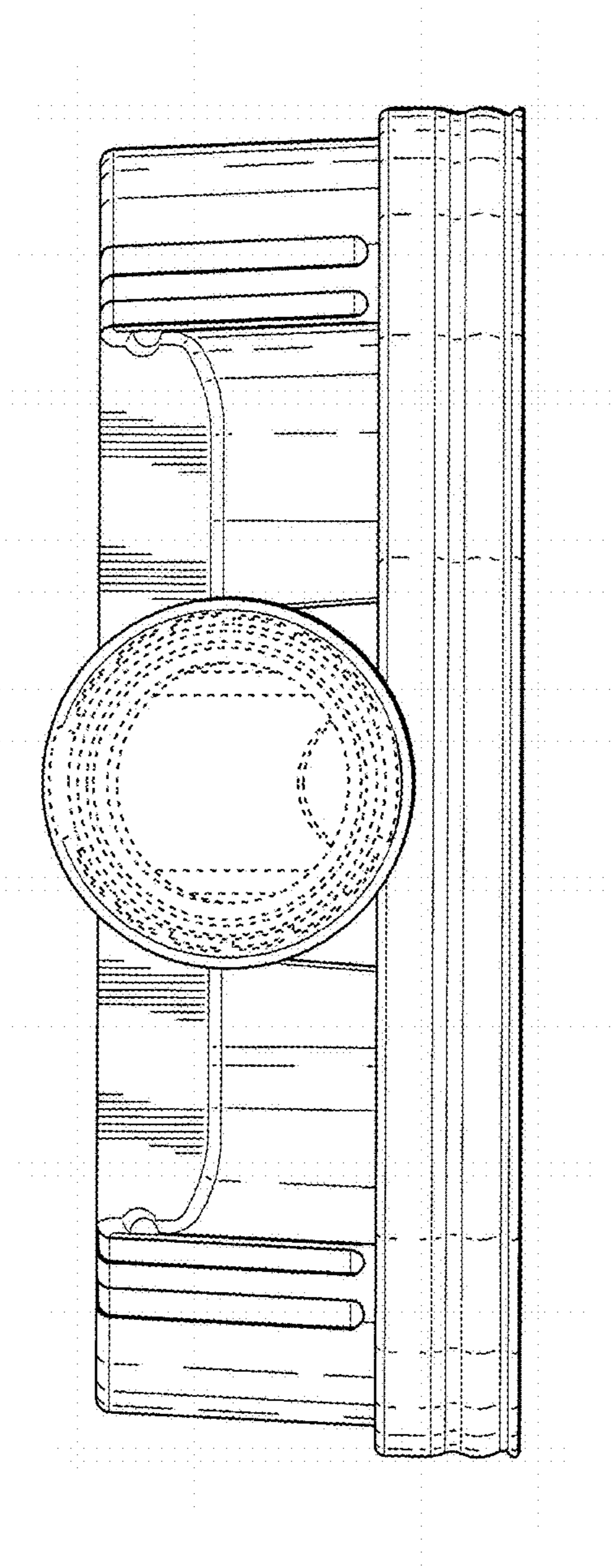


FIG. 4

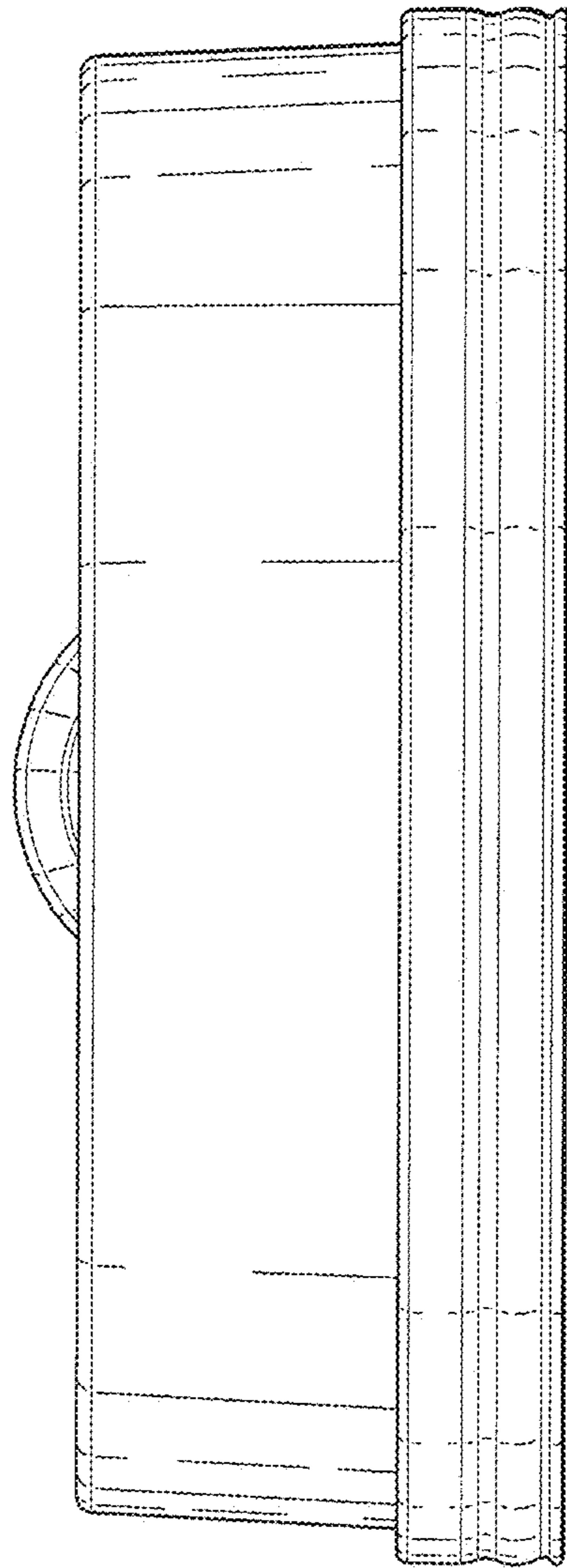


Fig. 5

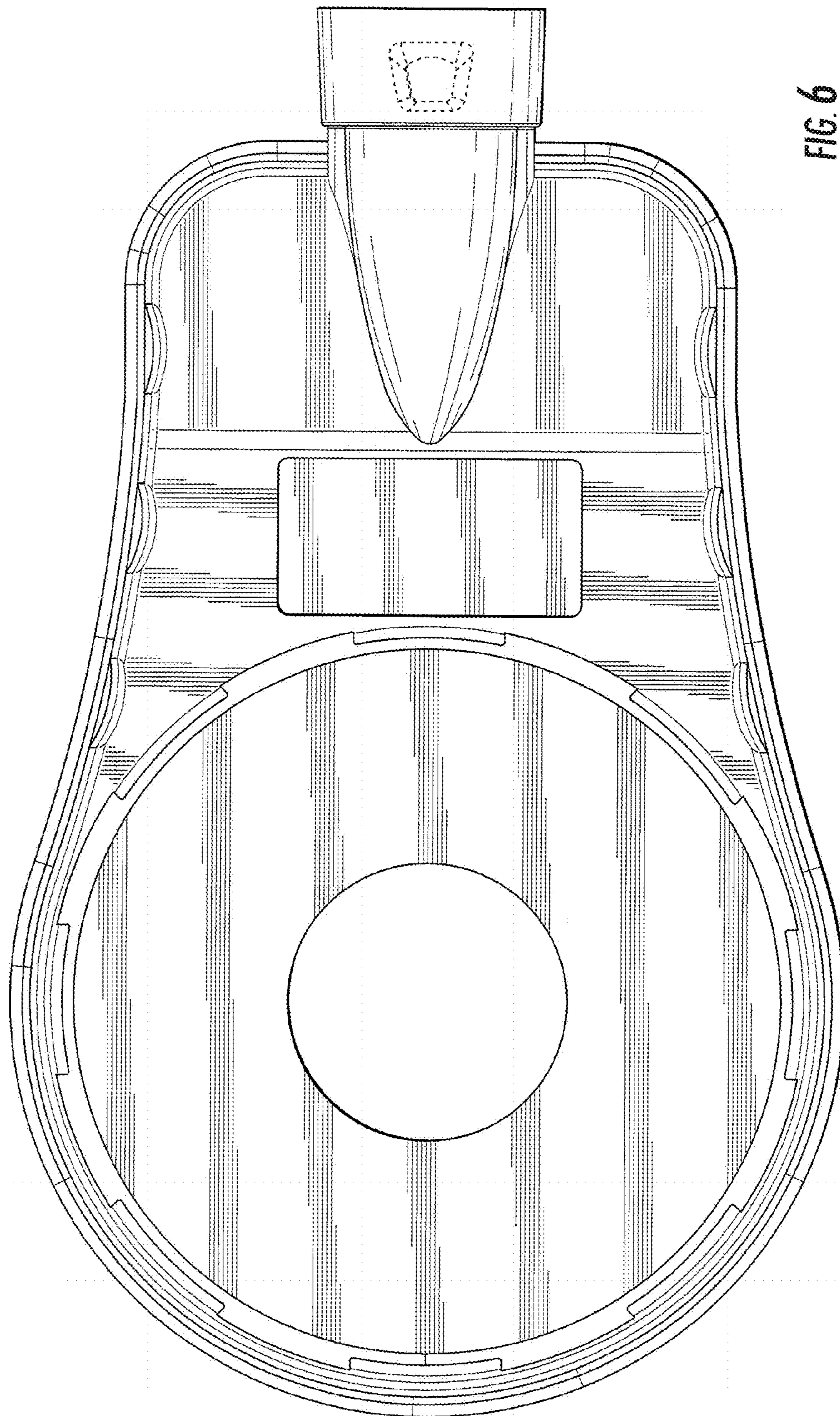


FIG. 6

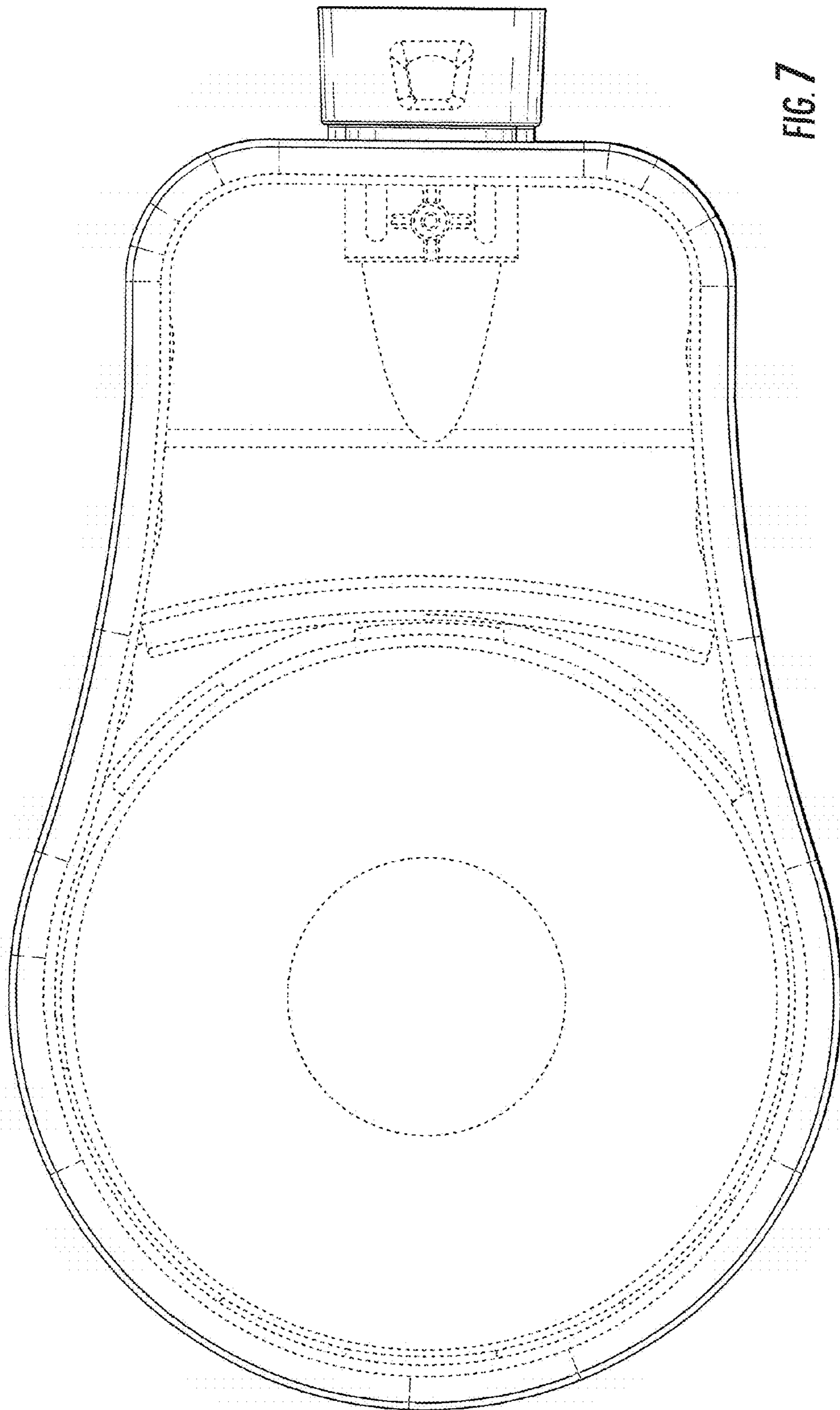


FIG. 7