



US00D742709S

(12) **United States Design Patent**
Aglassinger

(10) **Patent No.:** **US D742,709 S**

(45) **Date of Patent:** **** Nov. 10, 2015**

(54) **PLANER**

(71) Applicant: **Robert Bosch GmbH**, Stuttgart (DE)

(72) Inventor: **Hans-Peter Aglassinger**, Esslingen (DE)

(73) Assignee: **Robert Bosch GmbH**, Stuttgart (DE)

(**) Term: **14 Years**

(21) Appl. No.: **29/494,670**

(22) Filed: **Jun. 23, 2014**

(30) **Foreign Application Priority Data**

Dec. 23, 2013 (EM) 002376525

(51) **LOC (10) Cl.** **08-01**

(52) **U.S. Cl.**
USPC **D8/62**

(58) **Field of Classification Search**
USPC D8/61, 62; D32/15, 17, 19; D14/102;
451/456, 451, 359, 358, 357, 356, 355,
451/354, 353, 351, 344
CPC B27C 1/10; B27C 1/14; B27G 17/025;
B27G 17/02
See application file for complete search history.

(56) **References Cited**

U.S. PATENT DOCUMENTS

D475,594 S *	6/2003	Bian	D8/62
D495,574 S *	9/2004	Schoen	D8/62
D501,775 S *	2/2005	Tillman et al.	D8/62
D508,833 S *	8/2005	Brazell et al.	D8/62
D509,117 S *	9/2005	Tillman et al.	D8/62
D509,721 S *	9/2005	Park	D8/62
D512,619 S *	12/2005	Aglassinger	D8/62
D528,388 S *	9/2006	Andriolo et al.	D8/62
D529,357 S *	10/2006	Qiu	D8/62
D540,133 S *	4/2007	Corcoran	D8/62

D592,025 S *	5/2009	Snowball	D8/62
D598,261 S *	8/2009	Waldron	D8/62
D601,874 S *	10/2009	Hayakawa et al.	D8/62
D603,673 S *	11/2009	Netzler	D8/62
D607,291 S *	1/2010	Rosenau	D8/62
D637,879 S *	5/2011	Kawase et al.	D8/62
8,020,592 B2 *	9/2011	Nicolson	144/117.4
D648,609 S *	11/2011	Refson	D8/62
8,136,559 B2 *	3/2012	Rosenau et al.	144/154.5
D683,604 S *	6/2013	Shi	D8/62
8,510,961 B2 *	8/2013	Nicholson	30/481

* cited by examiner

Primary Examiner — Austin Murphy

(74) *Attorney, Agent, or Firm* — Maginot, Moore & Beck LLP

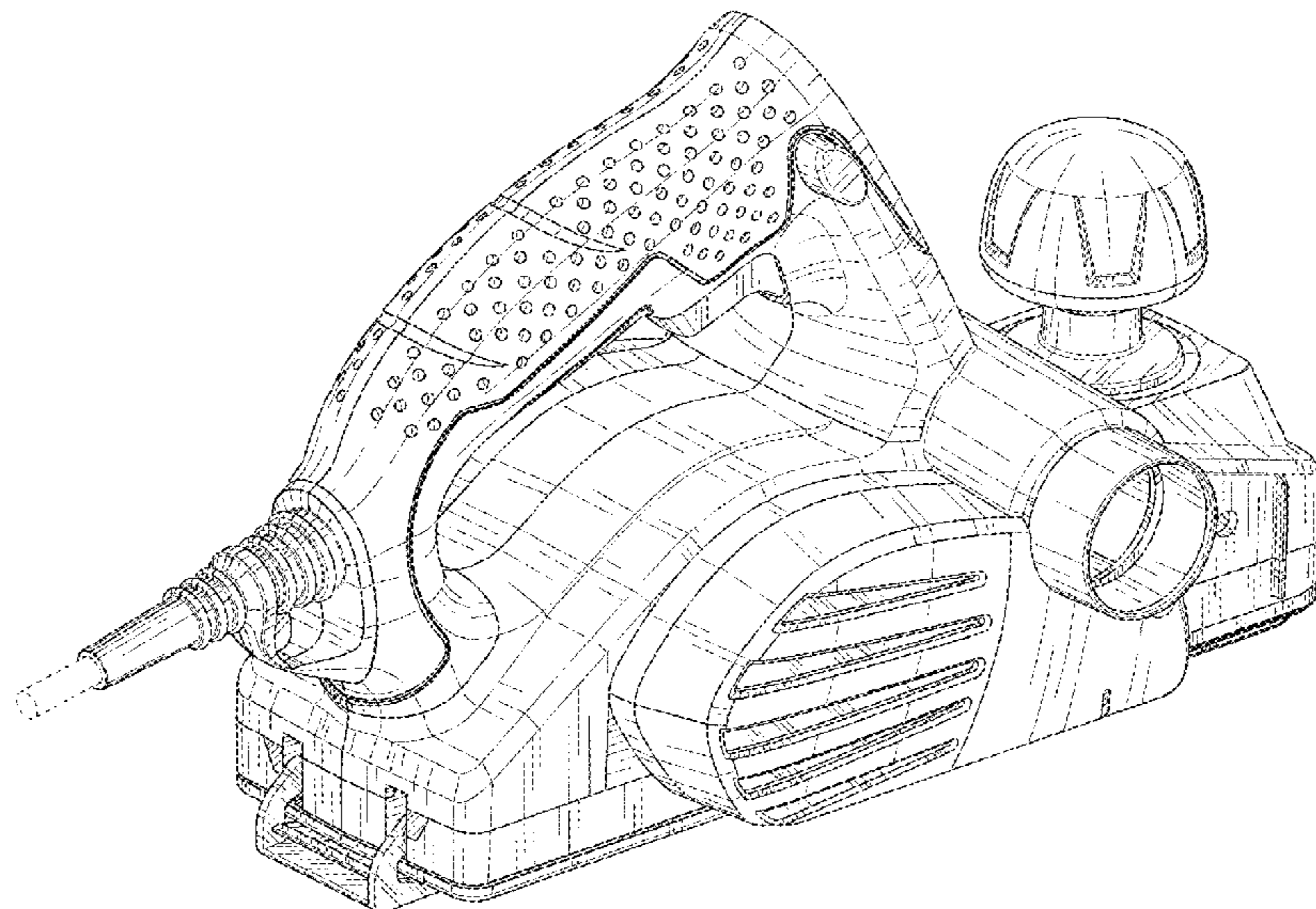
(57) **CLAIM**

The ornamental design for a planer, as shown and described.

DESCRIPTION

FIG. 1 is a perspective view of a planer showing my new design;
 FIG. 2 is a right side elevational view showing the design for the planer of FIG. 1;
 FIG. 3 is a left side elevational view showing the design for the planer of FIG. 1;
 FIG. 4 is a top elevational view showing the design for the planer of FIG. 1;
 FIG. 5 is a bottom elevational view showing the design for the planer of FIG. 1;
 FIG. 6 is a front elevational view showing the design for the planer of FIG. 1; and,
 FIG. 7 is a rear elevational view showing the design for the planer of FIG. 1.
 The broken line showing of a portion of the planer in the drawings is included for illustrative purposes only and forms no part of the claimed design.

1 Claim, 7 Drawing Sheets



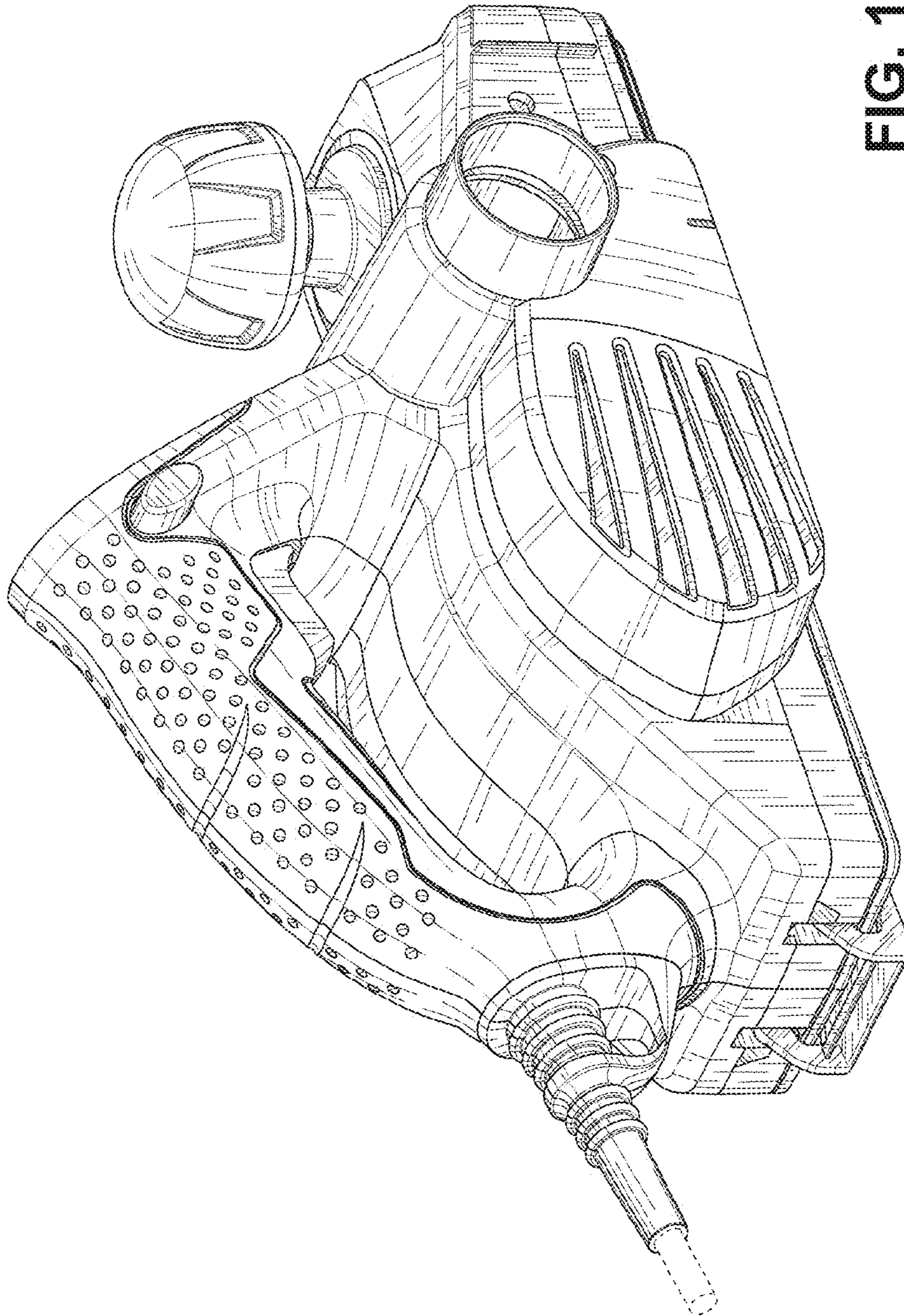


FIG. 1

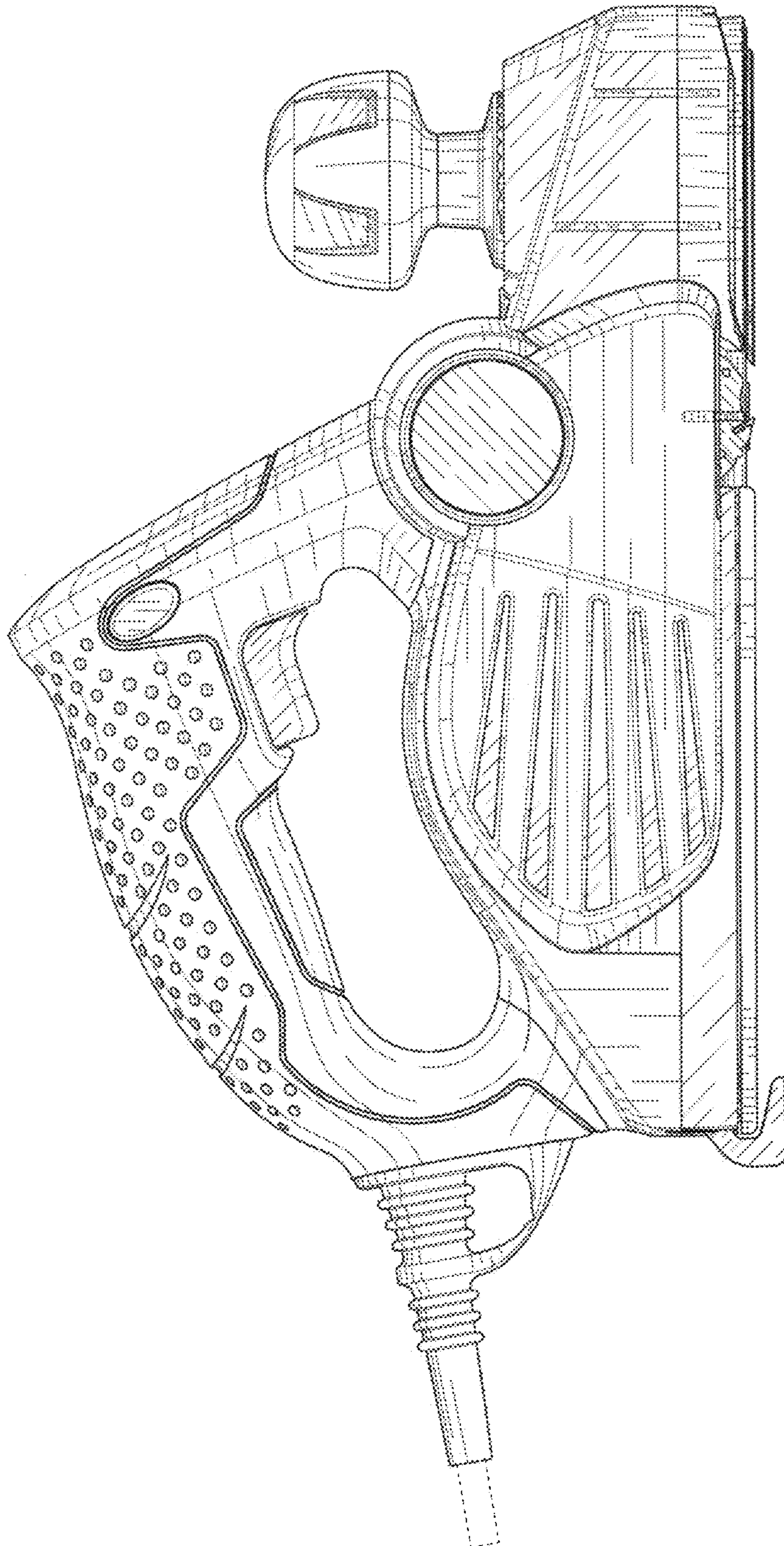


FIG. 2

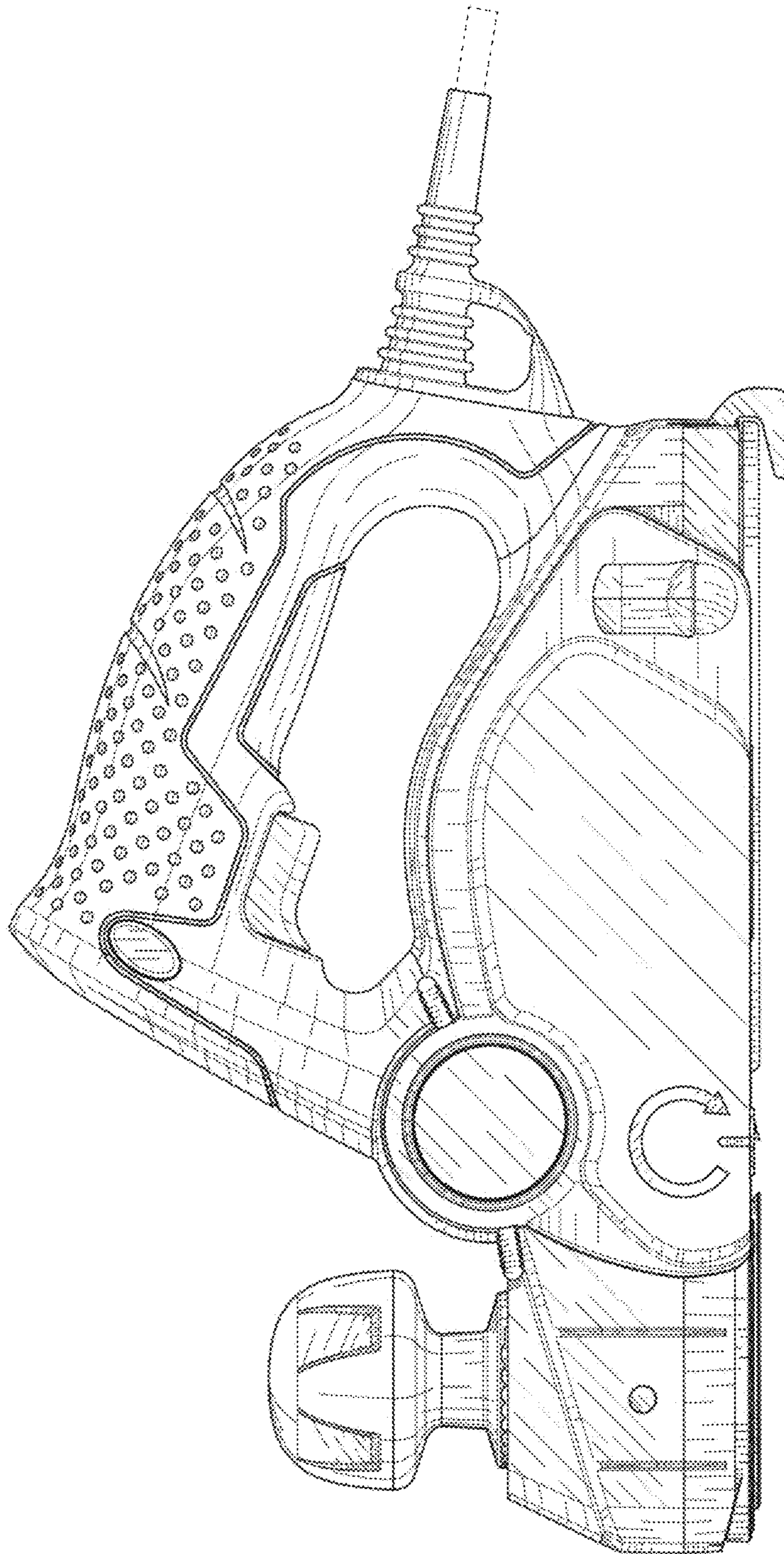


FIG. 3

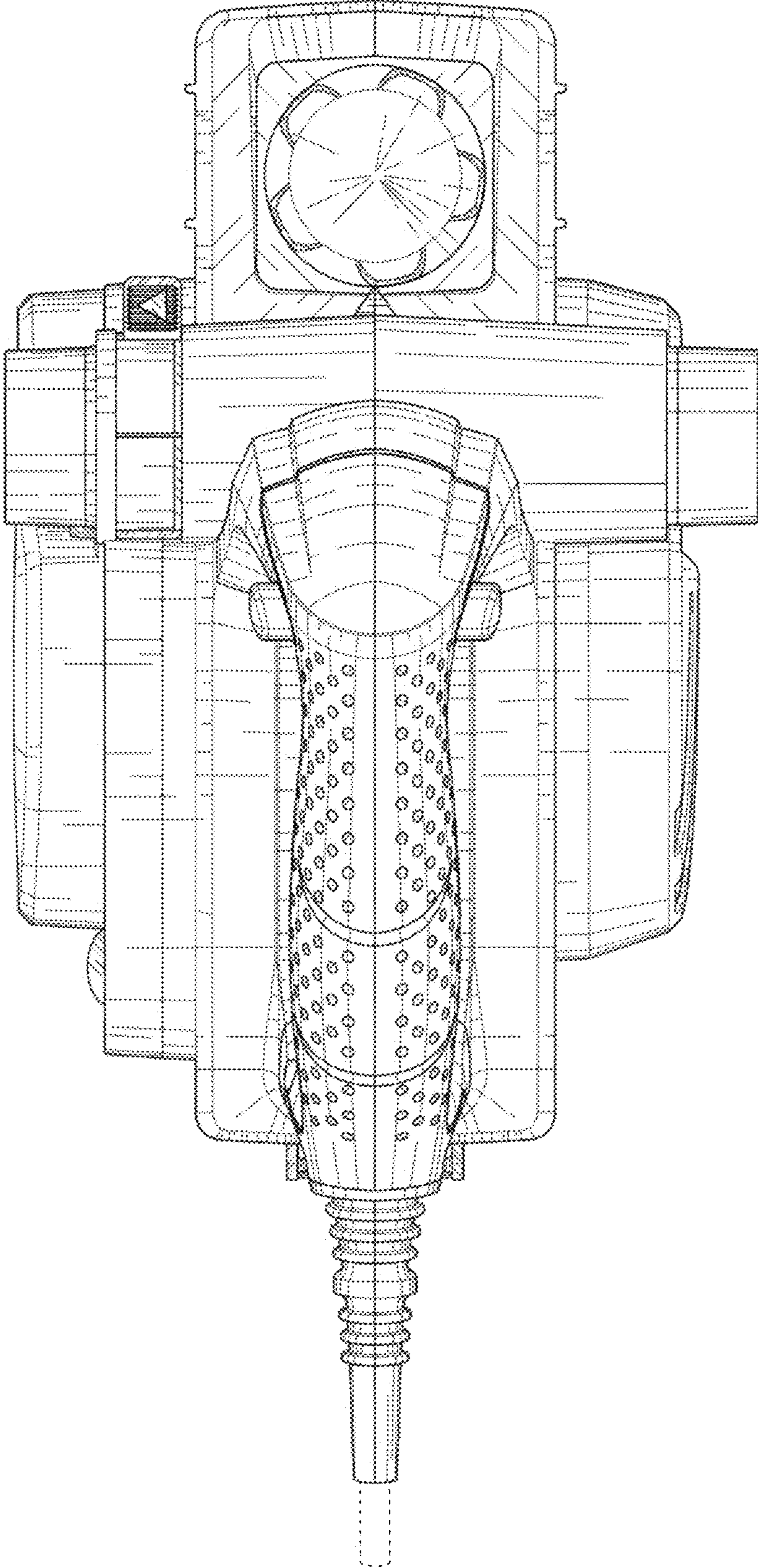


FIG. 4

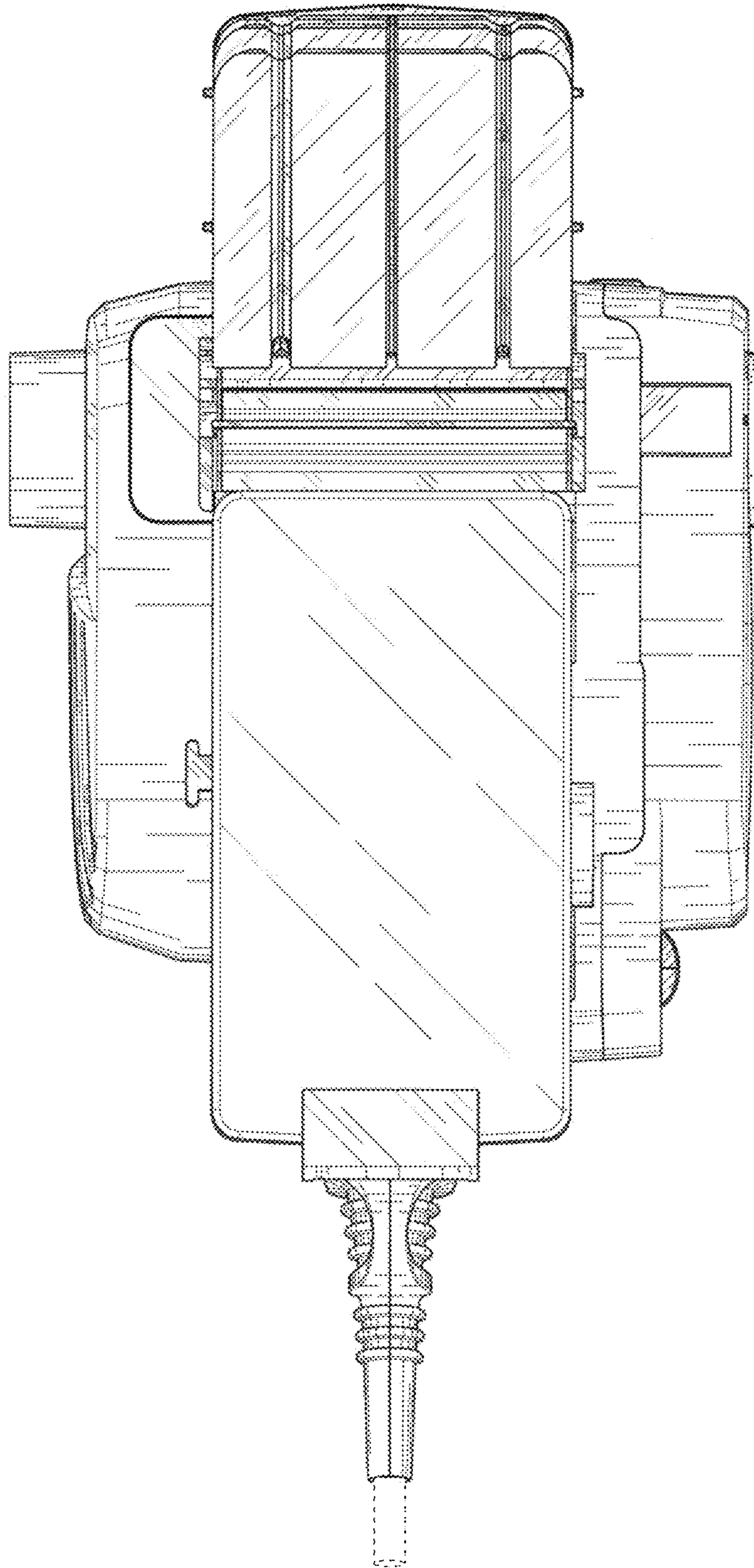


FIG. 5

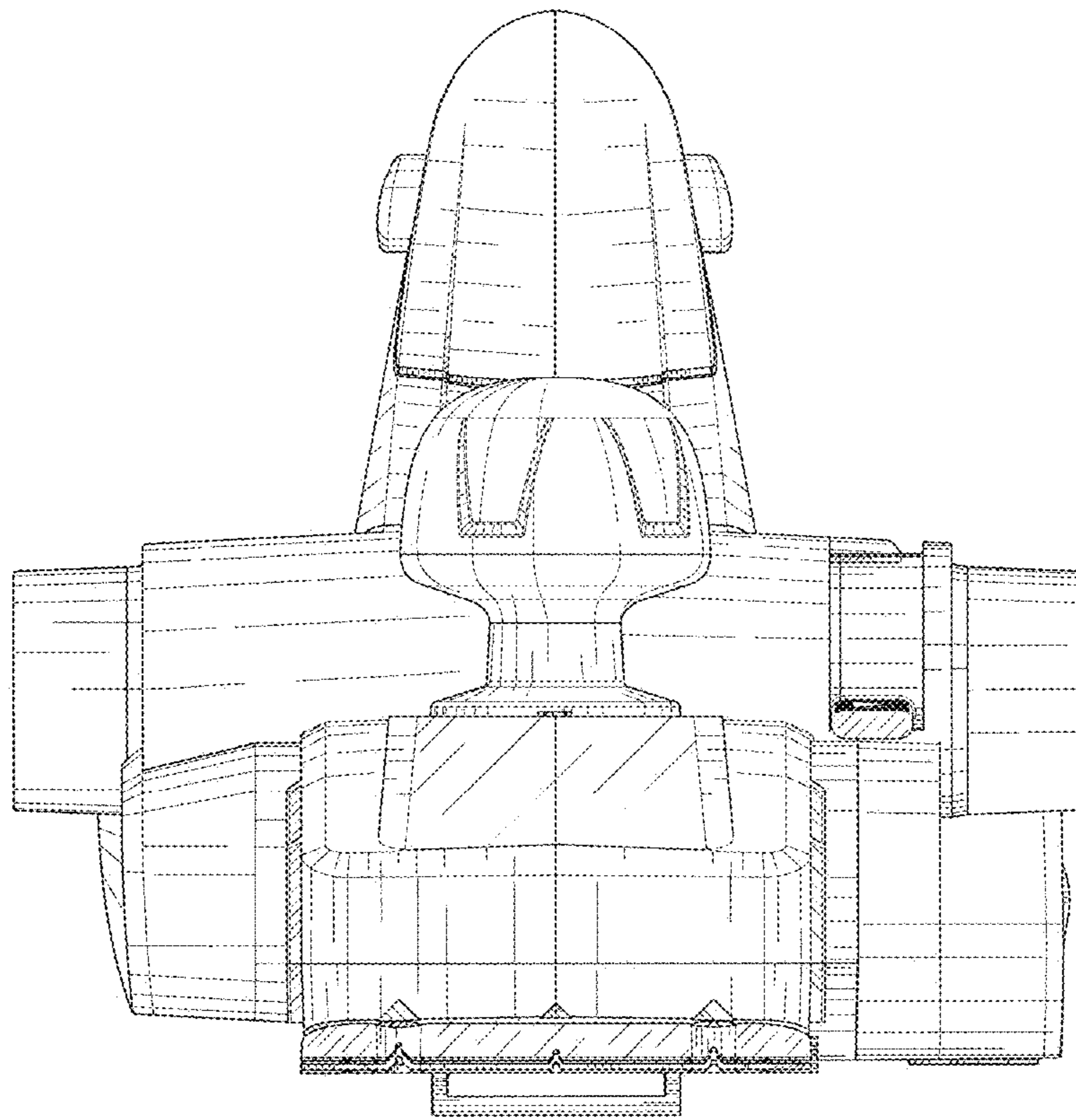


FIG. 6

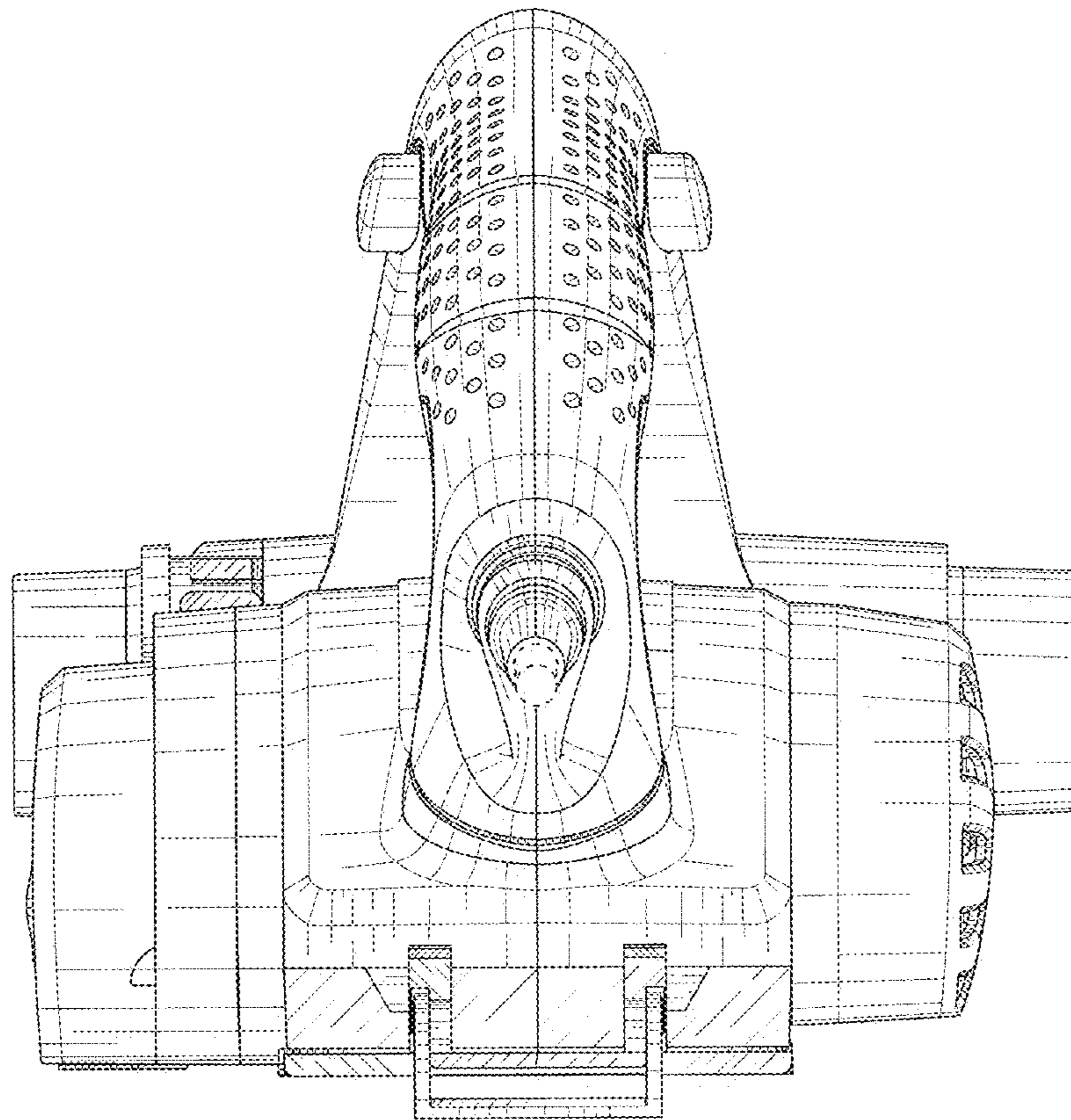


FIG. 7