



US00D742708S

(12) **United States Design Patent**
Howell

(10) **Patent No.:** **US D742,708 S**

(45) **Date of Patent:** **** Nov. 10, 2015**

(54) **HEAT GUN**

FOREIGN PATENT DOCUMENTS

(71) Applicant: **Harbor Freight Tools USA, Inc.**,
Calabasas, CA (US)

CN	3335014	11/2003
CN	3335015	11/2003
CN	3545794	7/2006
CN	300838776	10/2008
CN	300843090	10/2008
CN	301211020 S	5/2010
CN	301211021 S	5/2010
CN	301211022 S	5/2010
CN	302287498 S	1/2013
CN	302287499 S	1/2013
CN	302319962 S	2/2013

(72) Inventor: **Jon Howell**, Agoura Hills, CA (US)

(73) Assignee: **Harbor Freight Tools USA, Inc.**,
Calabasas, CA (US)

(**) Term: **14 Years**

(21) Appl. No.: **29/484,841**

* cited by examiner

(22) Filed: **Mar. 13, 2014**

Primary Examiner — Phillip S Hyder

(51) **LOC (10) Cl.** **08-05**

(74) *Attorney, Agent, or Firm* — Tarter Krinsky & Drogin
LLP

(52) **U.S. Cl.**
USPC **D8/29.1**

(58) **Field of Classification Search**
USPC D8/29.1, 29.2; D15/144; D28/13
CPC F24H 3/00; F24H 3/0423; F16M 13/00
See application file for complete search history.

(57) **CLAIM**

The ornamental design for a heat gun, as shown and described.

DESCRIPTION

(56) **References Cited**

U.S. PATENT DOCUMENTS

D388,297 S *	12/1997	Buttenbender	D8/29.1
D456,679 S *	5/2002	Cheng	D8/29.1
D457,044 S *	5/2002	Cheng	D8/29.1
D457,407 S *	5/2002	Pretzell	D8/29.1
D481,277 S *	10/2003	Waldron	D8/29.1
D490,500 S	5/2004	Ye et al.		
7,182,280 B2	2/2007	Ye et al.		
D552,443 S *	10/2007	Aglassinger et al.	D8/29.1
D615,834 S *	5/2010	Netzler	D8/29.1
D615,835 S *	5/2010	Netzler	D8/29.1
D641,220 S *	7/2011	Shi	D8/29.1
D679,561 S *	4/2013	Price	D8/29.1

FIG. 1 is a front left, perspective view of a heat gun showing my new design;

FIG. 2 is a first side view thereof;

FIG. 3 is a second side view thereof;

FIG. 4 is a front view thereof;

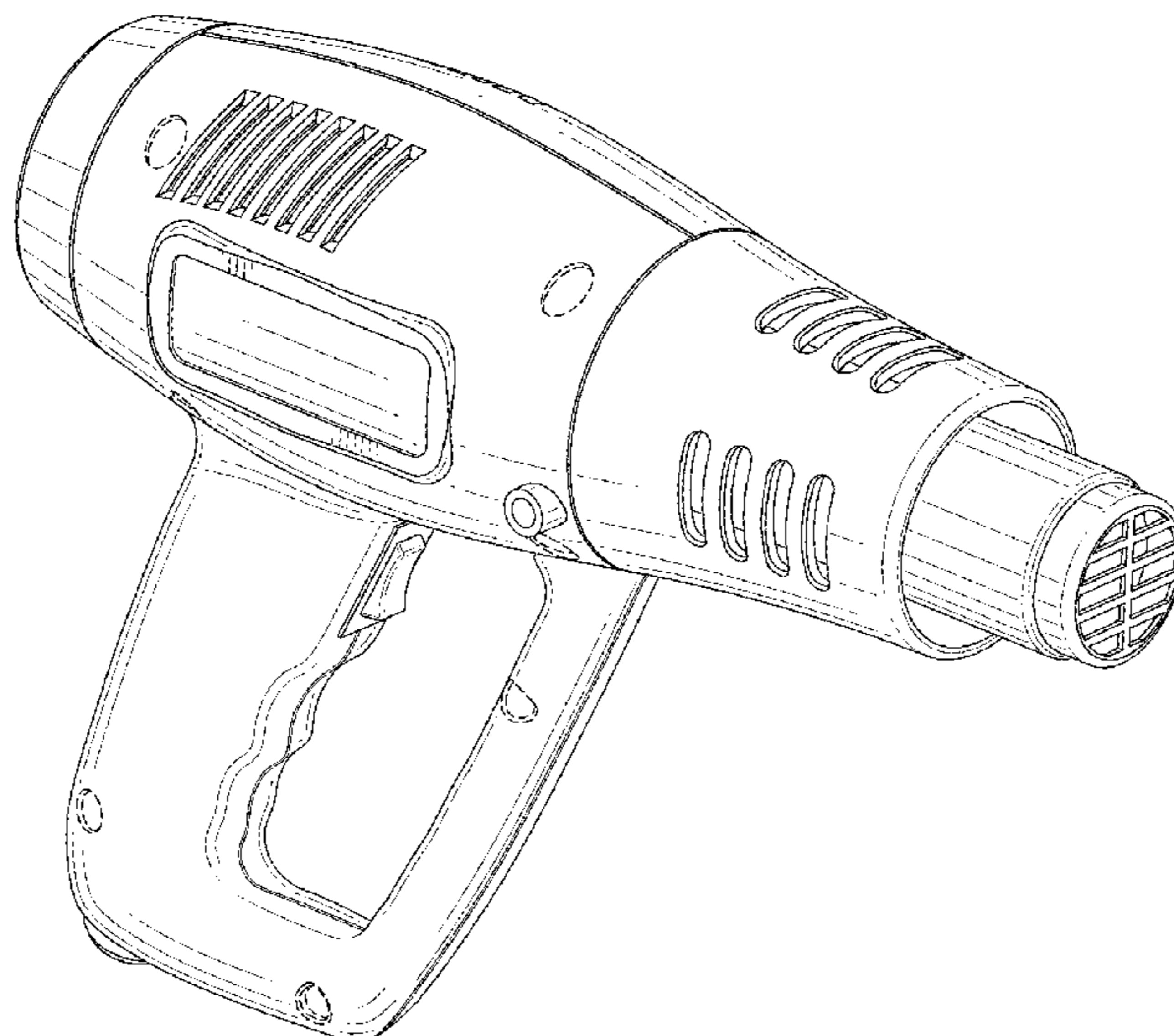
FIG. 5 is a rear view thereof;

FIG. 6 is a top view thereof; and,

FIG. 7 is a bottom view thereof.

The broken lines depict portions of the heat gun in which the design is embodied that are not considered part of the claimed design.

1 Claim, 7 Drawing Sheets



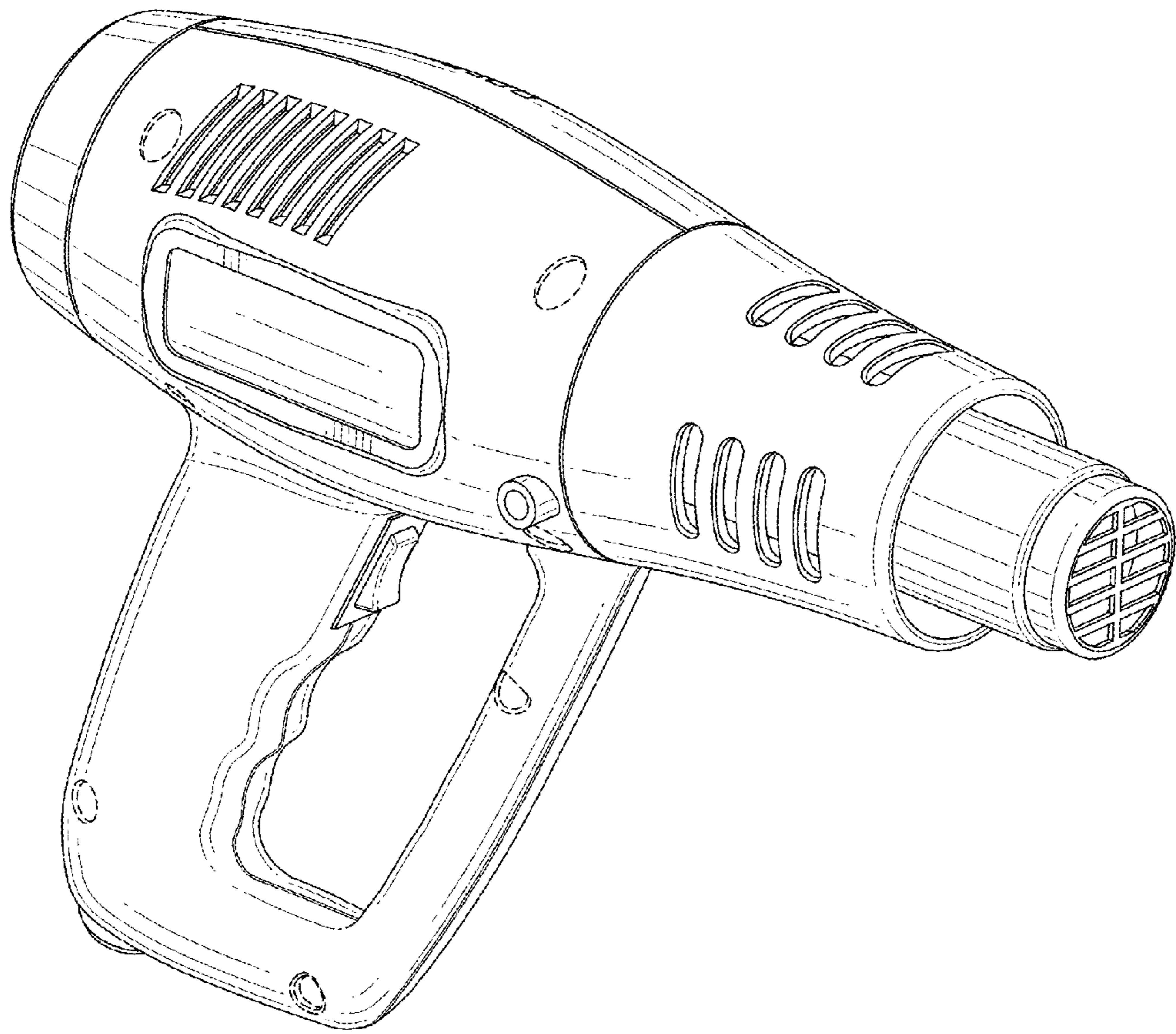


FIG. 1

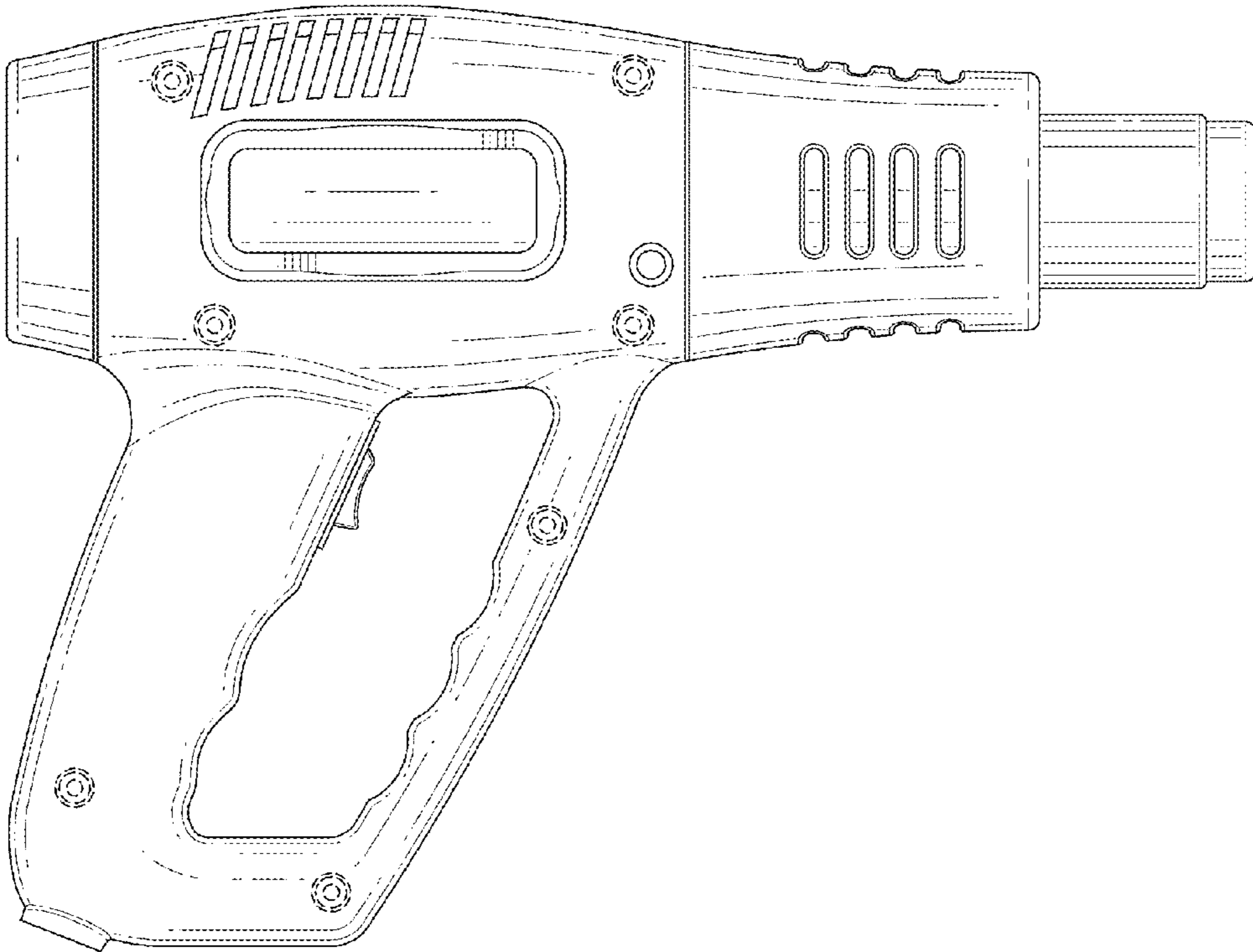


FIG.2

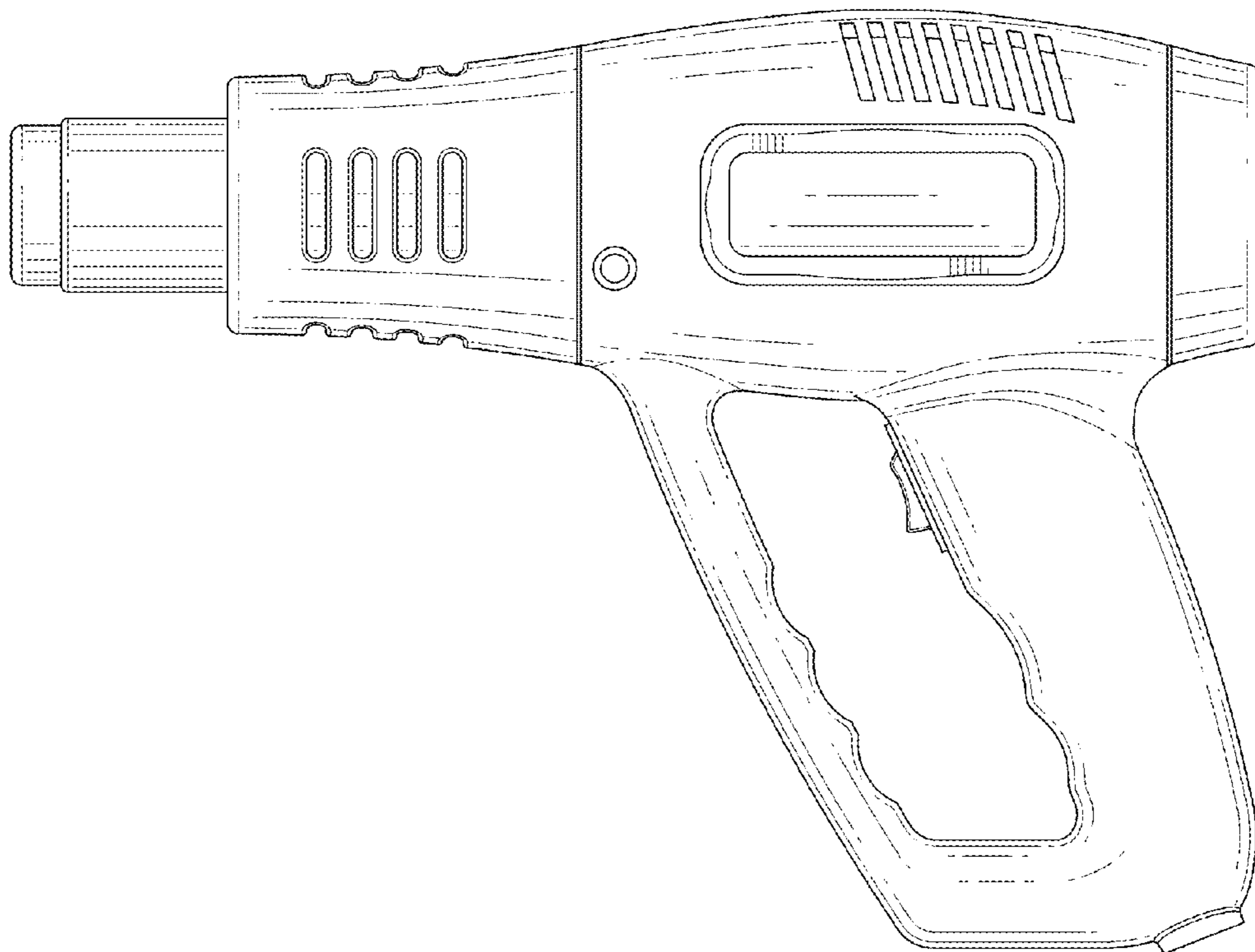


FIG.3

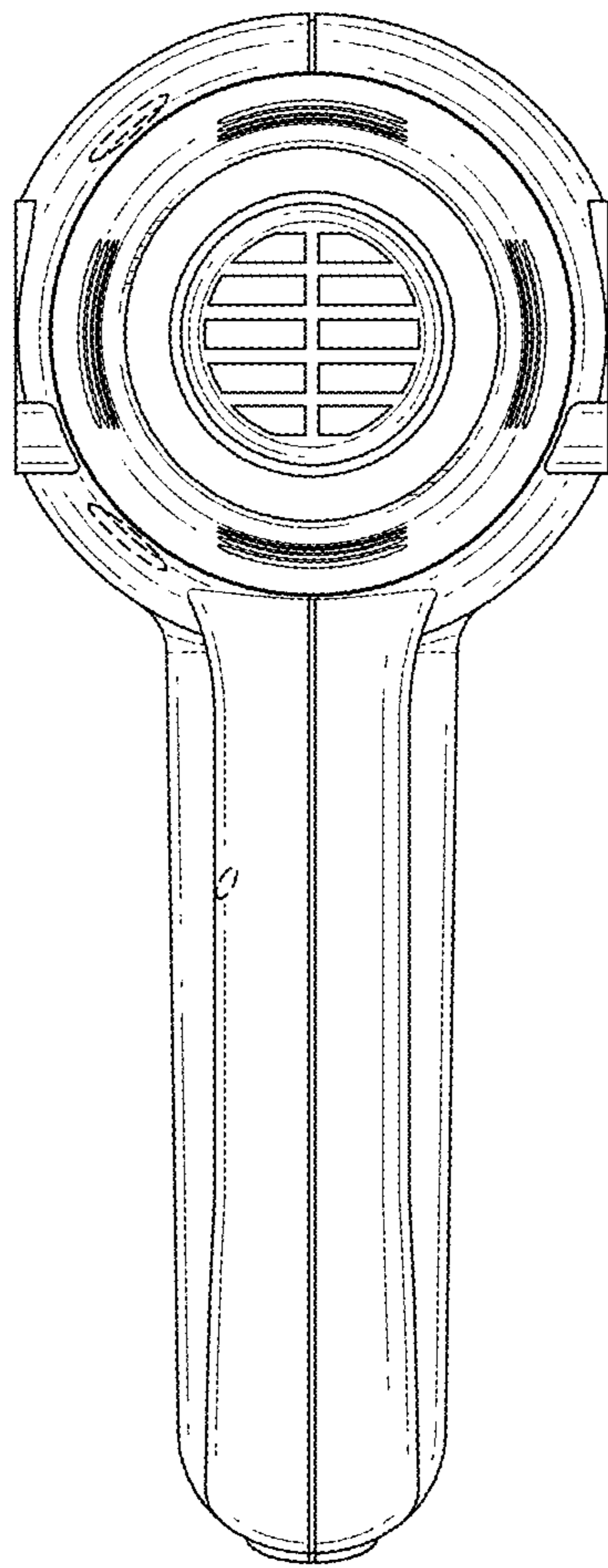


FIG.4

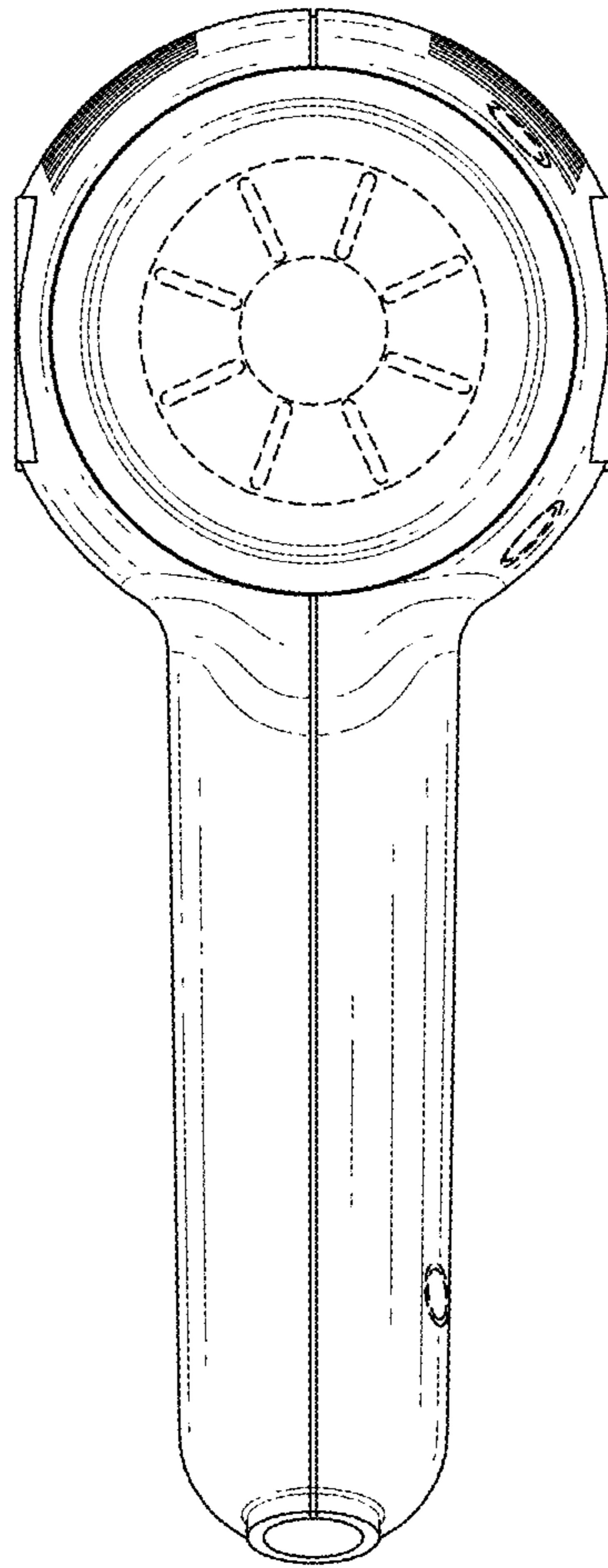


FIG. 5

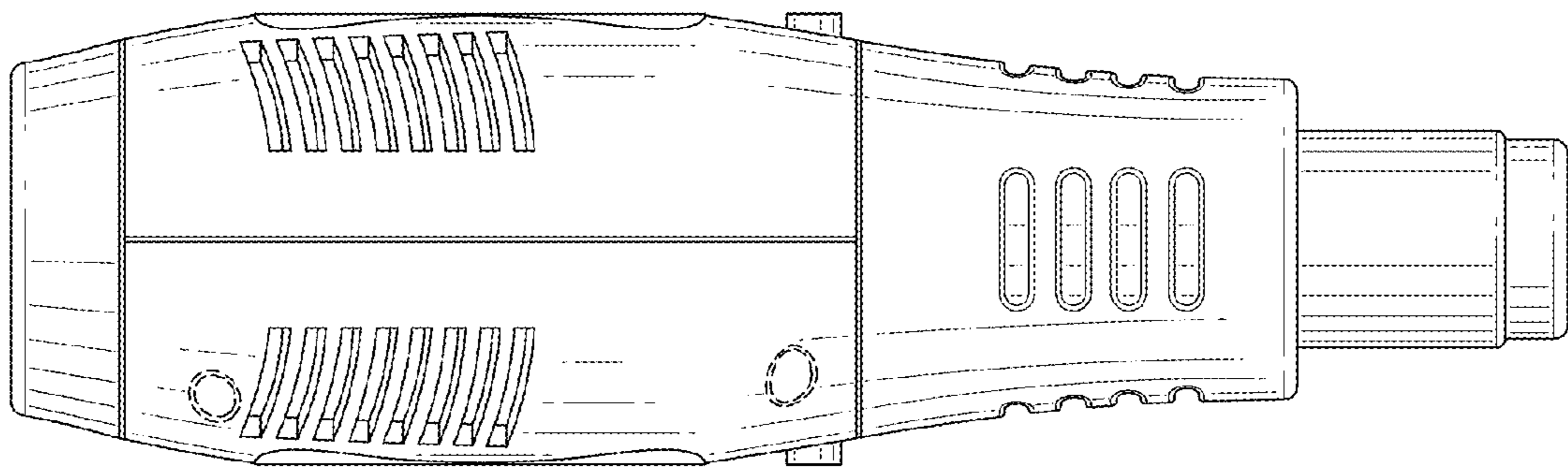


FIG. 6

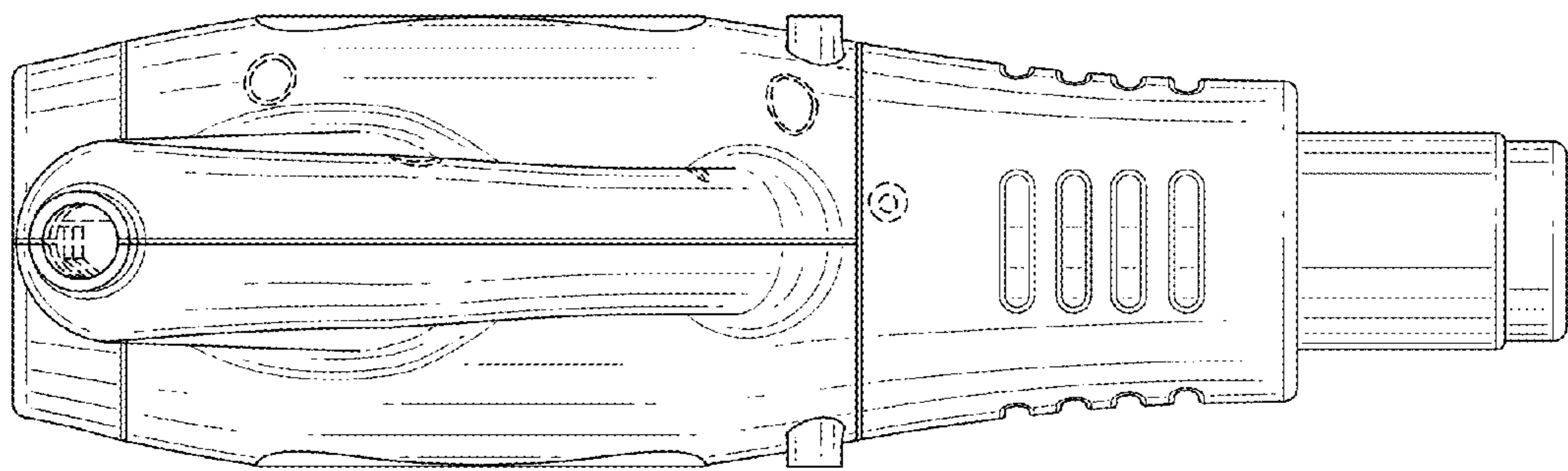


FIG. 7