



US00D742707S

(12) **United States Design Patent**
Kundracik et al.

(10) **Patent No.:** **US D742,707 S**

(45) **Date of Patent:** **** Nov. 10, 2015**

(54) **TOOL HEAD**

(71) Applicant: **Ridge Tool Company**, Elyria, OH (US)

(72) Inventors: **Richard M. Kundracik**, Elyria, OH (US); **Jason J. Boggs**, South Amherst, OH (US); **Prasad Patil**, Pune (IN)

(73) Assignee: **RIDGE TOOL COMPANY**, Elyria, OH (US)

(**) Term: **14 Years**

(21) Appl. No.: **29/486,349**

(22) Filed: **Mar. 28, 2014**

Related U.S. Application Data

(63) Continuation-in-part of application No. 14/202,611, filed on Mar. 10, 2014, which is a continuation-in-part of application No. 13/908,316, filed on Jun. 3, 2013.

Foreign Application Priority Data

Apr. 1, 2013 (IN) 1263/MUM/2013

(51) **LOC (10) Cl.** **08-05**

(52) **U.S. Cl.**
USPC **D8/22**

(58) **Field of Classification Search**

USPC D8/21-29, 44, 81-87, 102-107, 98, 99, D8/55, 93, 94; 81/60-63.2, 177.1, 177.85, 81/177.8, 489, 125.1, 121.1, 119-120, 81/176.1, 186, 177.9, 185.1, 176.2, 165, 81/170, 3.35, 58, 3.345, 155; 206/378; 16/429, 441, 124.6; 7/100, 138, 168, 7/157; D24/146
CPC B25B 13/00; B25B 5/14; E21B 19/16; E21B 19/00

See application file for complete search history.

(56) **References Cited**

U.S. PATENT DOCUMENTS

379,123 A 3/1888 Parmelee
590,853 A 9/1897 Parmelee

(Continued)

FOREIGN PATENT DOCUMENTS

CN 2116561 2/1992
CN 2150020 8/1992
CN 2161425 5/1993
CN 2181374 9/1993
CN 1041180 1/1995
CN 1139037 1/1995
CN 2275013 5/1996
CN 2271949 9/1996
CN 2291258 5/1997
CN 2356809 1/2000

(Continued)

OTHER PUBLICATIONS

International Search Report (ISR) and Written Opinion; PCT/US2015/015312; 6/29/15 (12 pages).

(Continued)

Primary Examiner — Randall Gholson

(74) *Attorney, Agent, or Firm* — Mark E. Bandy; Rankin, Hill & Clark LLP

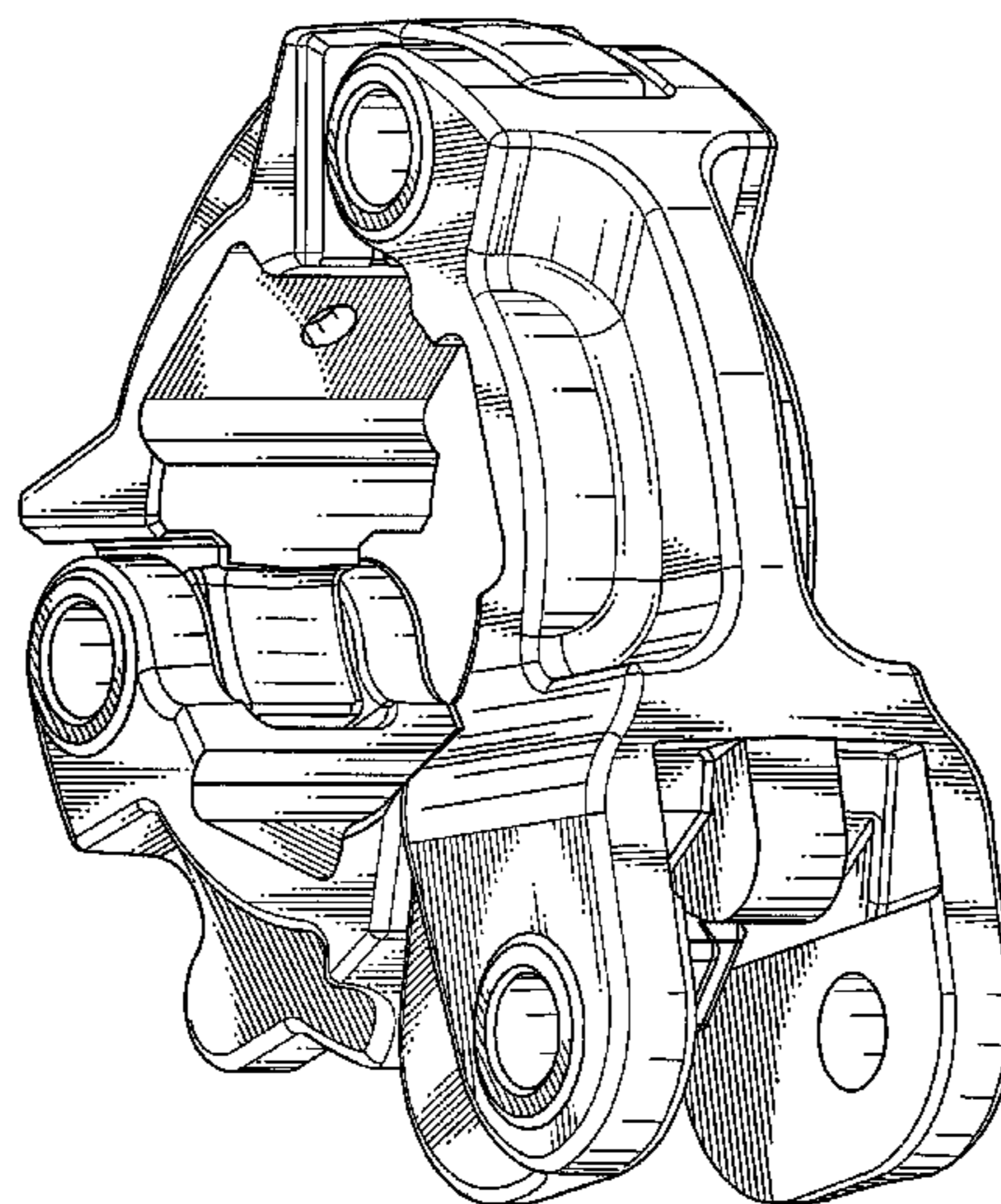
(57) **CLAIM**

The ornamental design for a tool head, as shown and described.

DESCRIPTION

FIG. 1 is a rear left perspective view of a tool head.
FIG. 2 is a left side view of the tool head of FIG. 1.
FIG. 3 is a rear elevational view of the tool head of FIG. 1.
FIG. 4 is a right side view of the tool head of FIG. 1.
FIG. 5 is a front elevational view of the tool head of FIG. 1.
FIG. 6 is a top plan view of the tool head of FIG. 1; and,
FIG. 7 is a bottom view of the tool head of FIG. 1.

1 Claim, 7 Drawing Sheets



(56)

References Cited

U.S. PATENT DOCUMENTS

608,202 A 8/1898 Kleckner
 626,401 A 6/1899 Wiegand
 648,706 A 5/1900 Parmelee
 701,237 A 5/1902 Wight
 747,612 A 12/1903 Jones
 791,814 A 6/1905 Pitzer
 807,258 A 12/1905 Foggan
 871,436 A 11/1907 Parmelee
 878,388 A 2/1908 Heimann
 917,440 A 4/1909 Hughes
 1,004,792 A 10/1911 Bessolo
 1,072,320 A 9/1913 Dunham
 1,093,496 A 4/1914 Stringfellow
 1,128,467 A 2/1915 Lewis
 1,161,777 A 11/1915 La Rock
 1,177,620 A 4/1916 Hardeman
 1,310,995 A 7/1919 Langford
 1,334,250 A 3/1920 Langford
 1,380,513 A 6/1921 Zilen et al.
 1,401,964 A 1/1922 Cromwell
 1,454,016 A 5/1923 Steen
 1,483,486 A 2/1924 Scott et al.
 1,544,807 A 7/1925 Childs
 1,548,344 A 8/1925 Bessolo
 1,556,169 A 10/1925 Smith
 1,584,861 A 5/1926 Jones
 1,593,000 A 7/1926 Wilson
 1,718,719 A 6/1929 Turner
 1,763,135 A 6/1930 Cox
 2,047,506 A 7/1936 Hertel
 2,166,449 A 7/1939 Sharpe
 2,209,988 A 8/1940 Matlock
 2,278,439 A 4/1942 Grau et al.
 2,283,933 A * 5/1942 Jones et al. 72/409.01
 2,291,620 A 8/1942 Grau
 2,310,246 A 2/1943 Lundeen
 2,329,181 A 9/1943 Boynton
 2,339,760 A 1/1944 Boynton
 2,423,326 A 7/1947 Jones
 2,465,695 A 3/1949 Osborne
 2,491,623 A 12/1949 Sesak
 2,550,963 A 5/1951 Brinkley
 2,557,202 A 6/1951 Raymond et al.
 2,637,236 A 5/1953 Vergnani et al.
 2,714,321 A 8/1955 Tamplin
 2,967,446 A 1/1961 Martois
 3,097,552 A * 7/1963 Kelley 81/90.5
 3,669,850 A 6/1972 Draca
 3,703,111 A 11/1972 Guier
 3,832,918 A 9/1974 Lang et al.
 4,194,419 A 3/1980 Mitchhart et al.
 4,403,801 A 9/1983 Huff et al.
 4,485,702 A 12/1984 Swan et al.
 4,712,284 A 12/1987 Coyle
 4,714,289 A 12/1987 Arzenti et al.
 4,759,239 A 7/1988 Hamilton et al.
 4,893,528 A 1/1990 Chung-Hsing
 4,989,909 A 2/1991 Bouligny et al.
 5,094,132 A 3/1992 Engel
 5,230,264 A 7/1993 Kindling
 5,231,899 A 8/1993 Lee
 5,287,777 A 2/1994 Kolodziej
 5,435,214 A 7/1995 Sisson
 5,452,886 A 9/1995 Cote et al.
 5,535,647 A 7/1996 Donaldson
 5,535,650 A 7/1996 McNatt
 5,537,900 A 7/1996 Schaar
 5,653,297 A 8/1997 Whisenhunt
 5,746,097 A 5/1998 McCann
 5,768,958 A 6/1998 Gamble
 5,791,206 A 8/1998 Daigle et al.
 5,829,327 A 11/1998 Stanton
 5,865,073 A 2/1999 Wilson et al.
 5,927,159 A 7/1999 Yokoyama et al.

5,941,142 A 8/1999 Janson
 5,996,444 A 12/1999 Pearce et al.
 6,055,888 A 5/2000 Mitchell
 6,116,118 A 9/2000 Wesch, Jr.
 6,131,491 A 10/2000 Hirse
 6,135,607 A 10/2000 Cook
 6,341,543 B1 1/2002 Hsieh
 6,349,621 B1 2/2002 Khachatoorain
 6,378,399 B1 4/2002 Bangert
 6,488,323 B1 12/2002 Bouligny
 6,530,297 B2 3/2003 McCann
 6,537,140 B1 3/2003 Miller et al.
 6,568,301 B2 5/2003 Huang
 6,629,720 B1 * 10/2003 Evans 296/184.1
 6,755,097 B2 6/2004 Bangert
 6,799,493 B2 10/2004 Wang
 6,938,519 B2 9/2005 Boyd et al.
 6,978,701 B1 12/2005 Buchanan
 6,988,430 B1 1/2006 Putney et al.
 7,000,502 B2 * 2/2006 Belik 81/57.2
 7,028,585 B2 * 4/2006 Pietras et al. 81/57.16
 7,036,397 B2 5/2006 Bangert
 7,111,529 B2 9/2006 Pradelski
 7,121,172 B1 10/2006 Daniels
 7,197,964 B2 4/2007 Buchanan
 7,204,173 B2 * 4/2007 Buck 81/57.18
 7,665,514 B2 2/2010 Patterson
 7,913,589 B2 3/2011 Chen
 8,109,179 B2 * 2/2012 Richardson 81/57.11
 8,122,751 B2 * 2/2012 Green 72/416
 D657,840 S * 4/2012 Prieto D22/108
 8,316,684 B2 * 11/2012 Green 72/416
 8,453,542 B2 6/2013 Gouws
 8,689,599 B2 * 4/2014 Green 72/416
 2005/0188793 A1 9/2005 Cherry
 2006/0207393 A1 9/2006 Stupar
 2006/0248985 A1 11/2006 Bangert
 2007/0256237 A1 11/2007 Mayer
 2008/0034927 A1 2/2008 Adkins et al.
 2008/0307929 A1 12/2008 Lorger et al.
 2010/0122608 A1 5/2010 Chen
 2010/0146801 A1 6/2010 Pellenc
 2010/0282033 A1 11/2010 Buchanan
 2011/0138972 A1 6/2011 Wojick
 2011/0203420 A1 8/2011 Riestra
 2011/0209586 A1 9/2011 Wojick
 2011/0232427 A1 9/2011 Streater et al.

FOREIGN PATENT DOCUMENTS

CN 2657863 9/2003
 CN 2656087 10/2003
 CN 2685007 2/2004
 CN 2782307 1/2005
 CN 2770880 3/2005
 CN 2923201 5/2006
 CN 201046558 6/2006
 CN 2930983 7/2006
 CN 201098856 7/2007
 CN 201115940 11/2007
 CN 201342650 2/2009
 CN 201744941 12/2009
 CN 201632962 1/2010
 CN 201659522 4/2010
 CN 201856195 11/2010
 CN 202344440 9/2011
 CN 202377960 12/2011
 CN 202377960 8/2012
 WO 2009093763 1/2008
 WO 2011089297 1/2010

OTHER PUBLICATIONS

International Search Report (ISR) and Written Opinion, PCT/US2013/066760, Mar. 18, 2014, 16 pages.

* cited by examiner

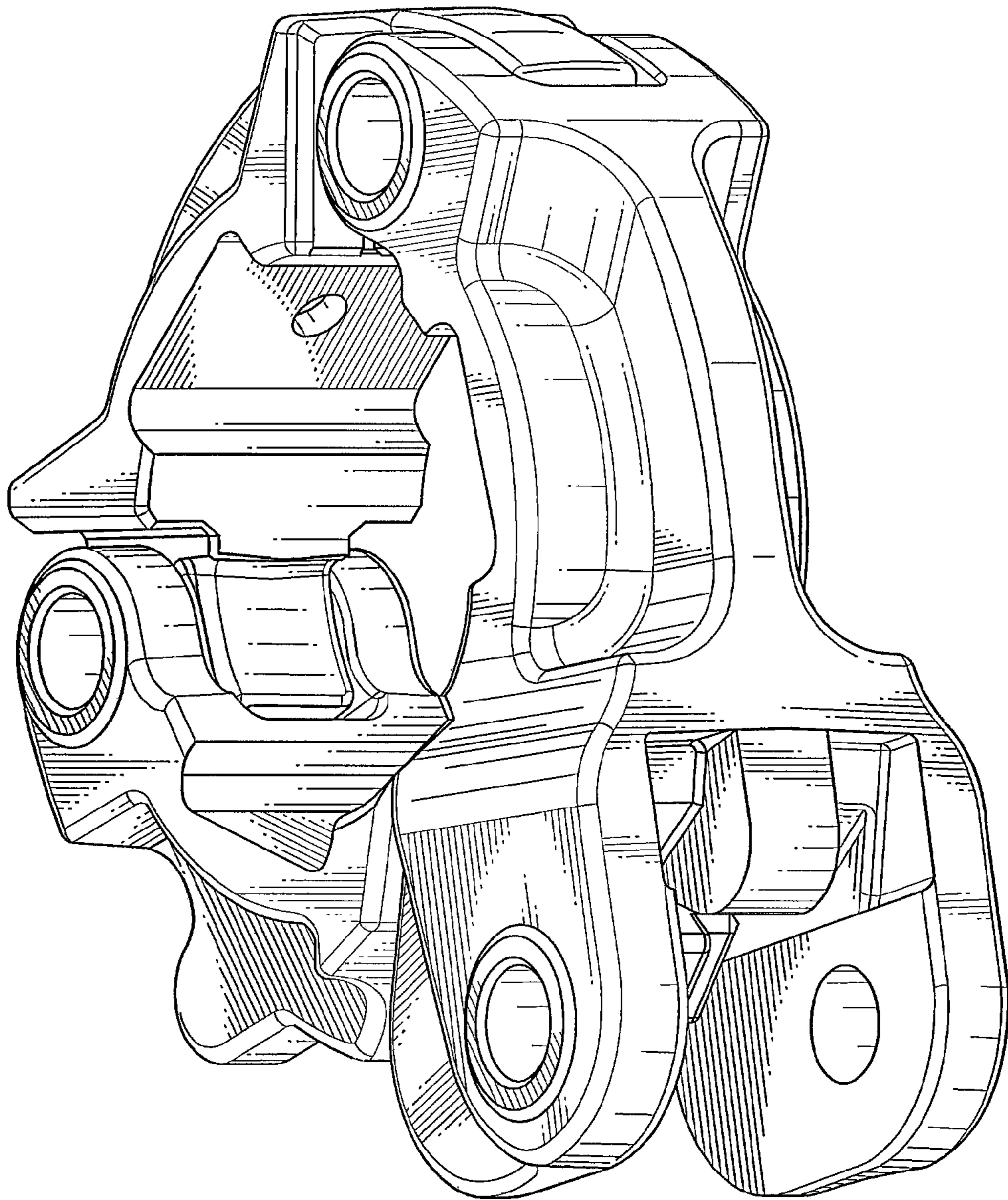


Fig. 1

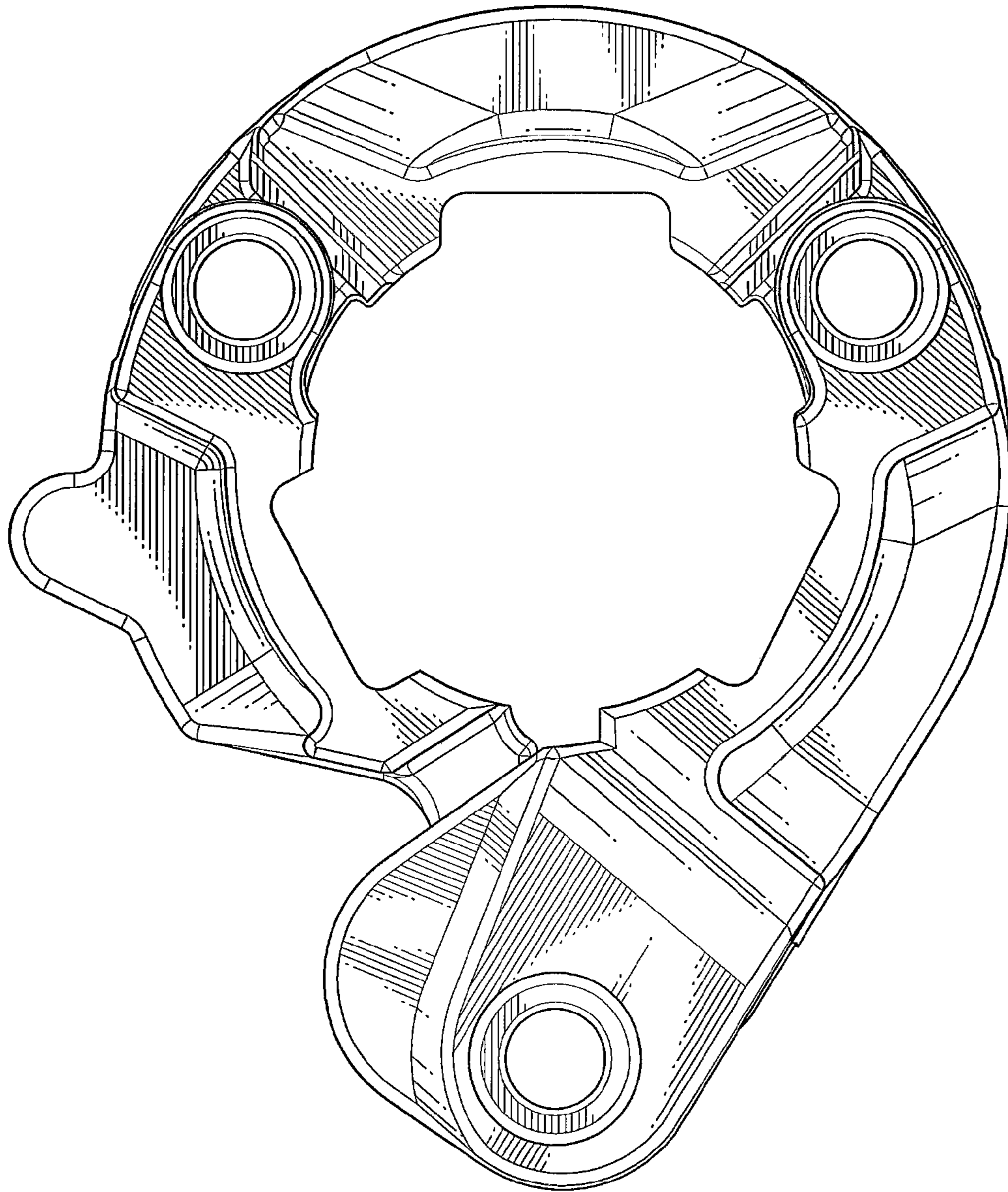


Fig. 2

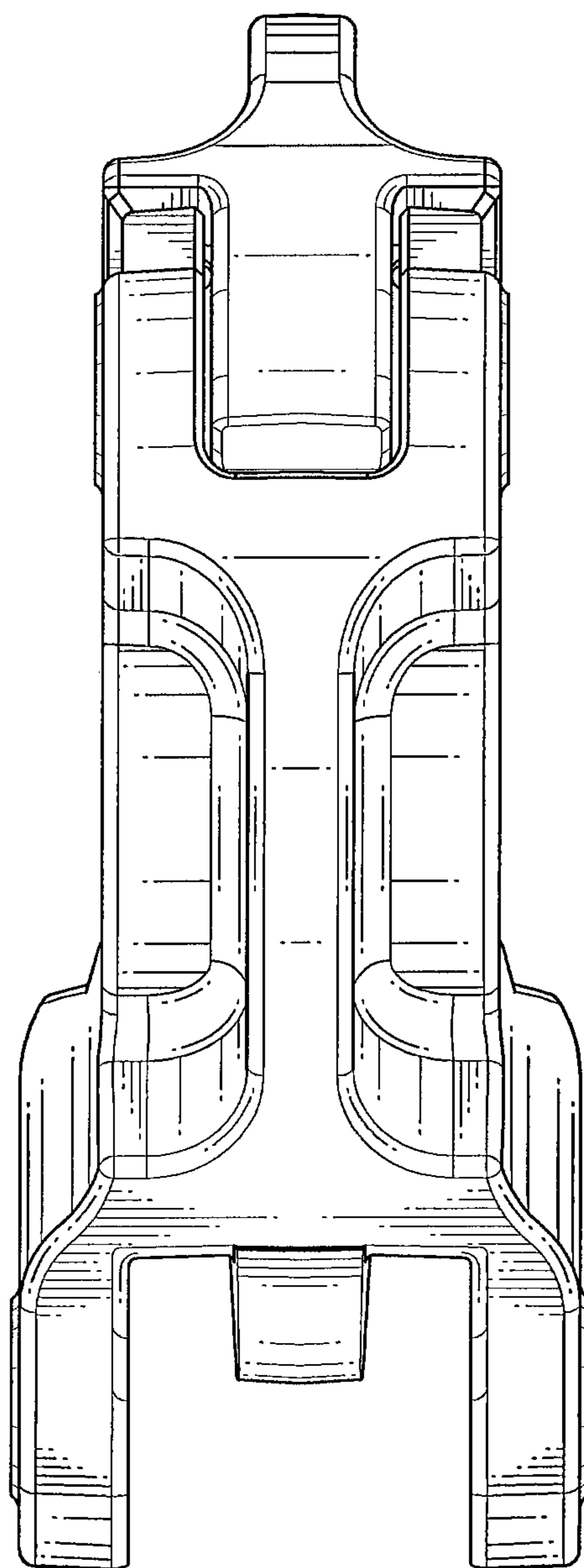


Fig. 3

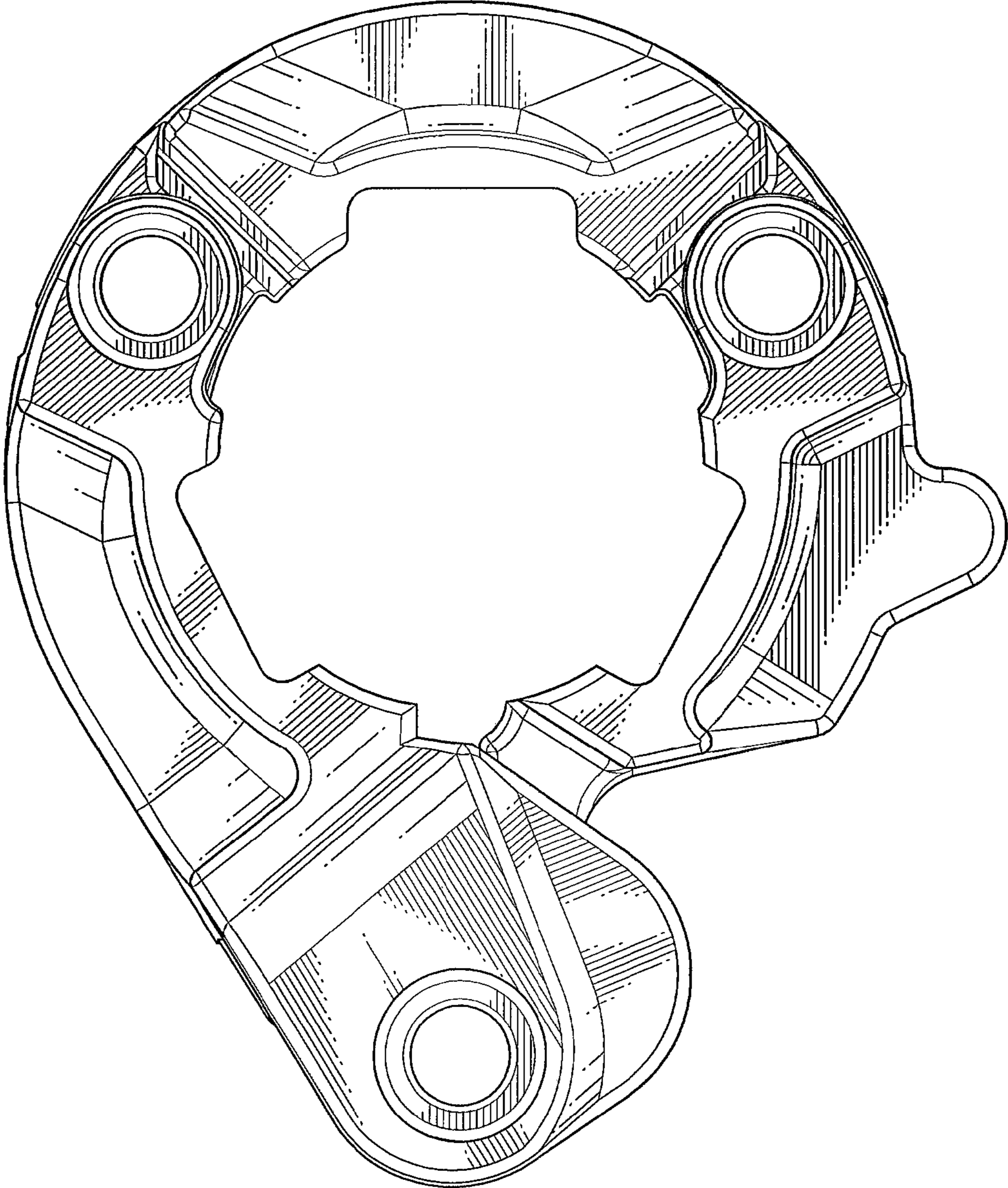


Fig. 4

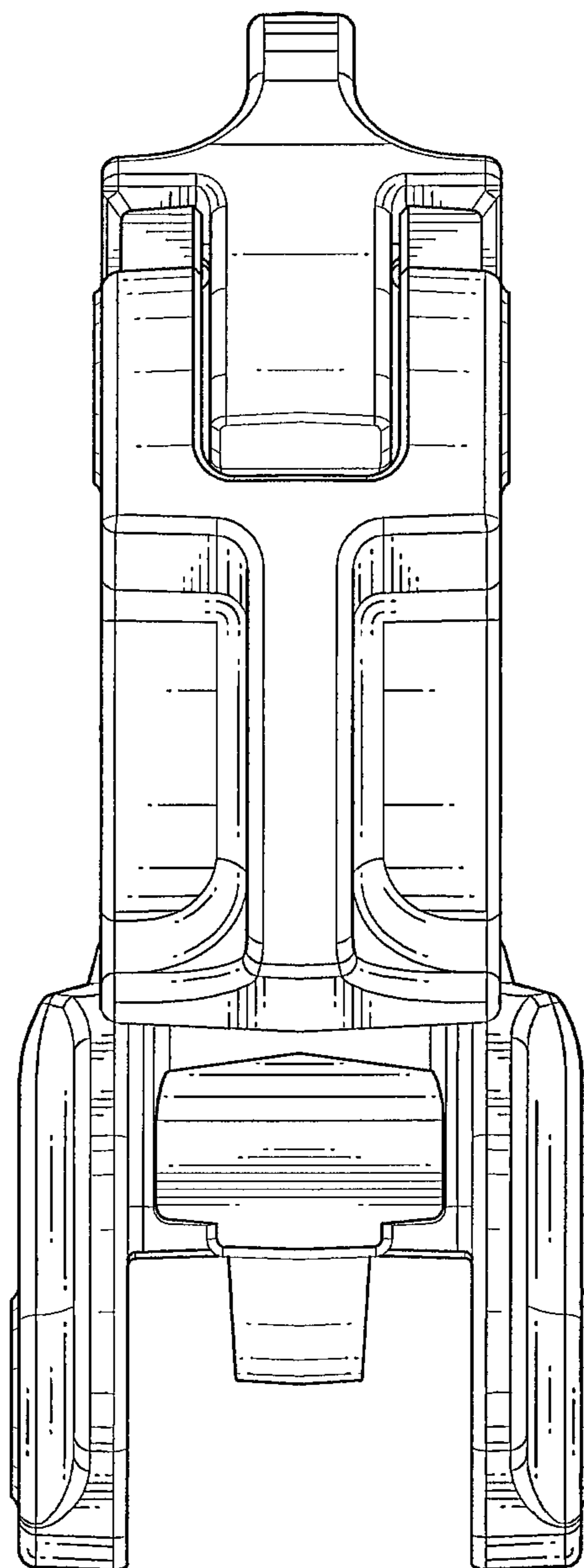


Fig. 5

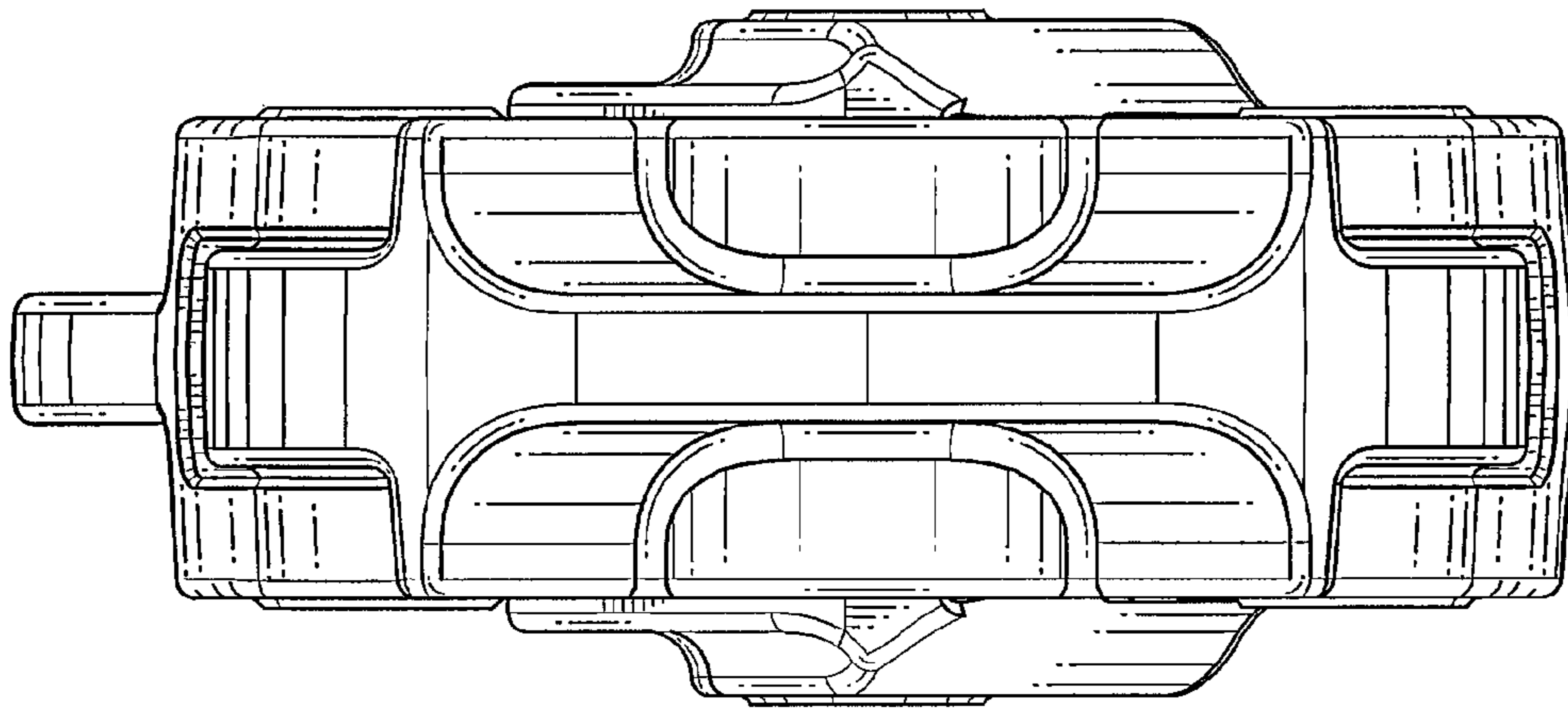


Fig. 6

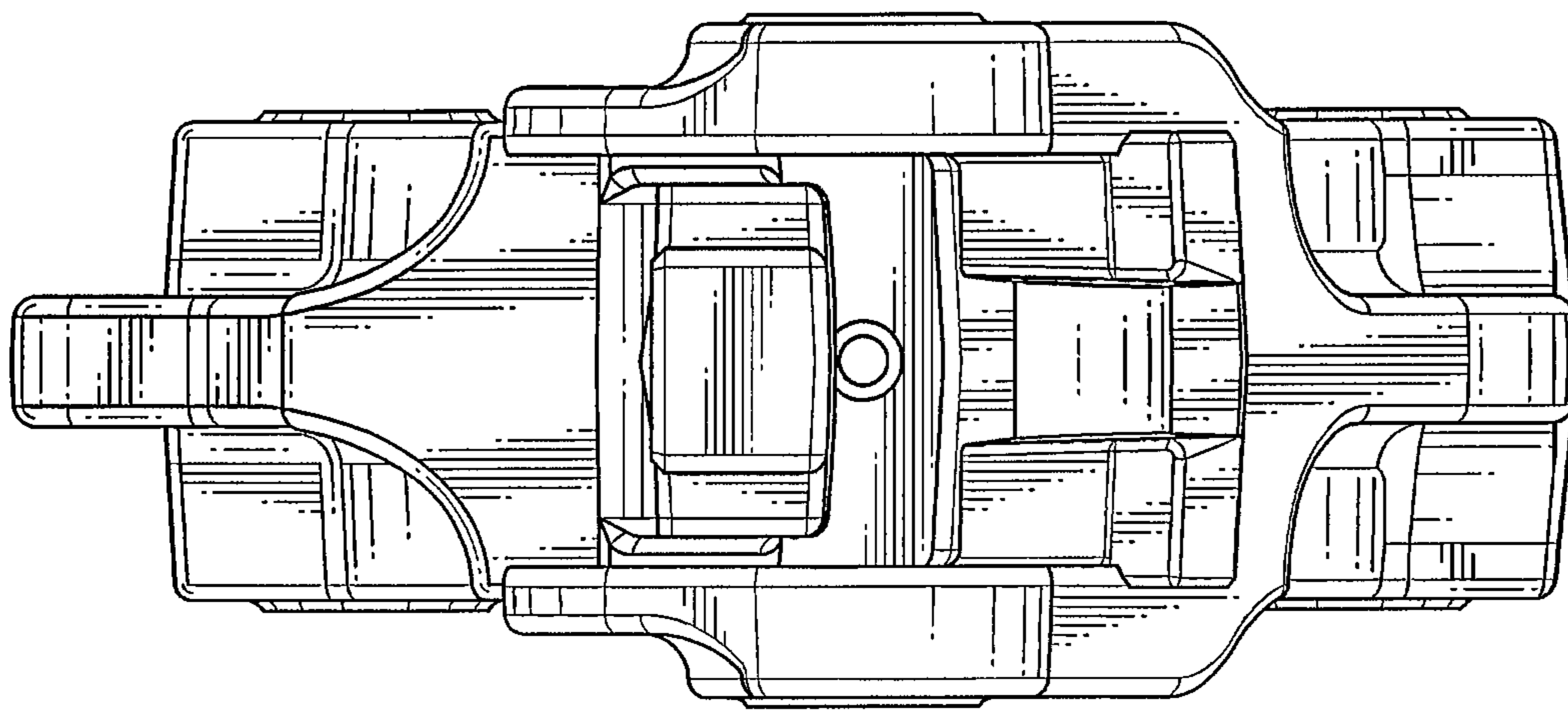


Fig. 7